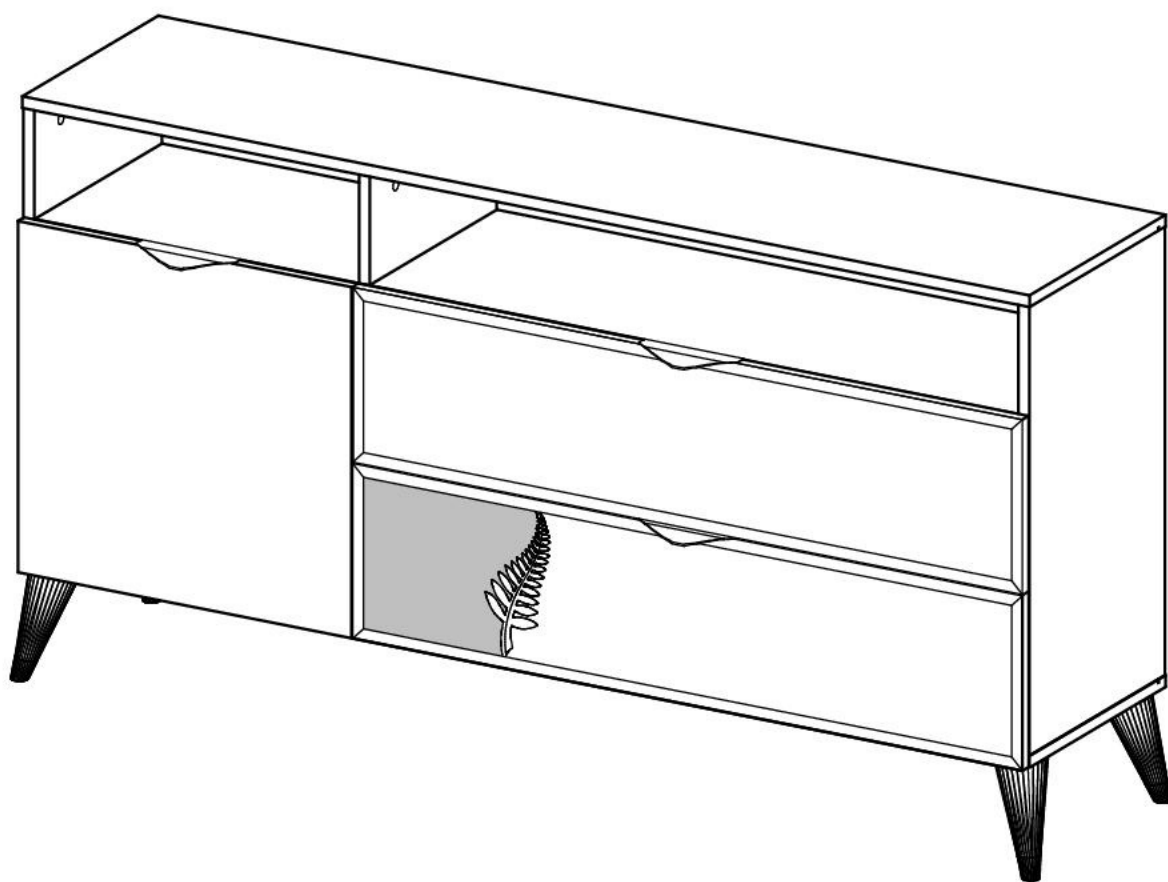
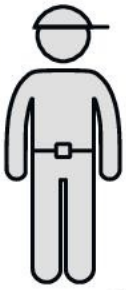
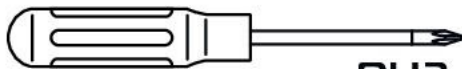
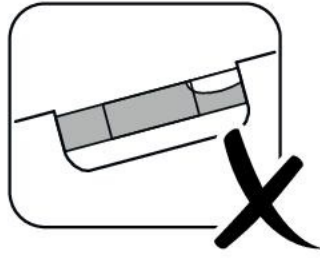
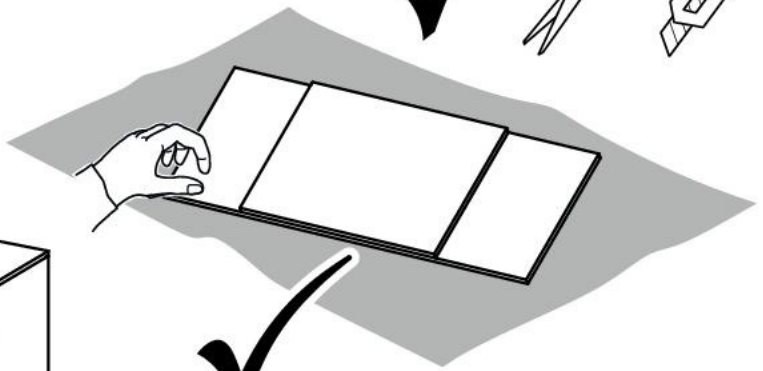
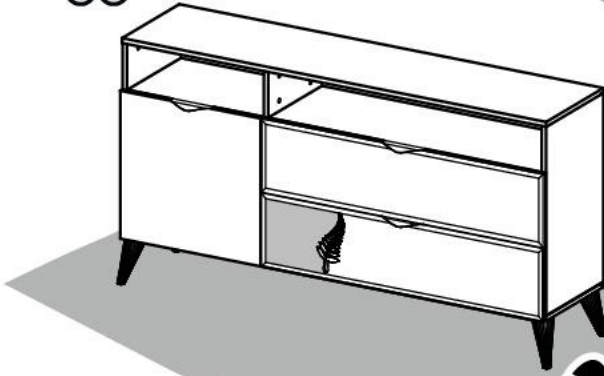


Kombinovaná komoda Melody

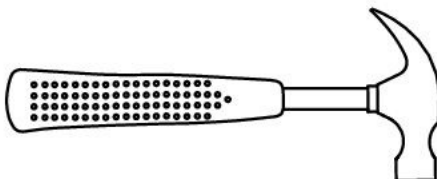
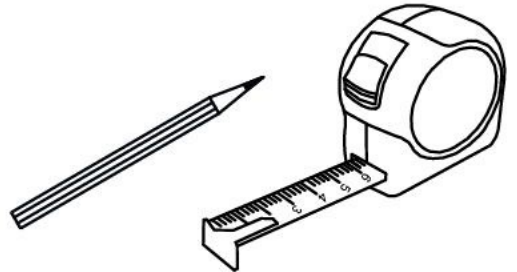
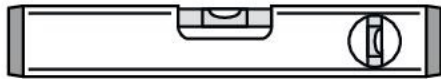


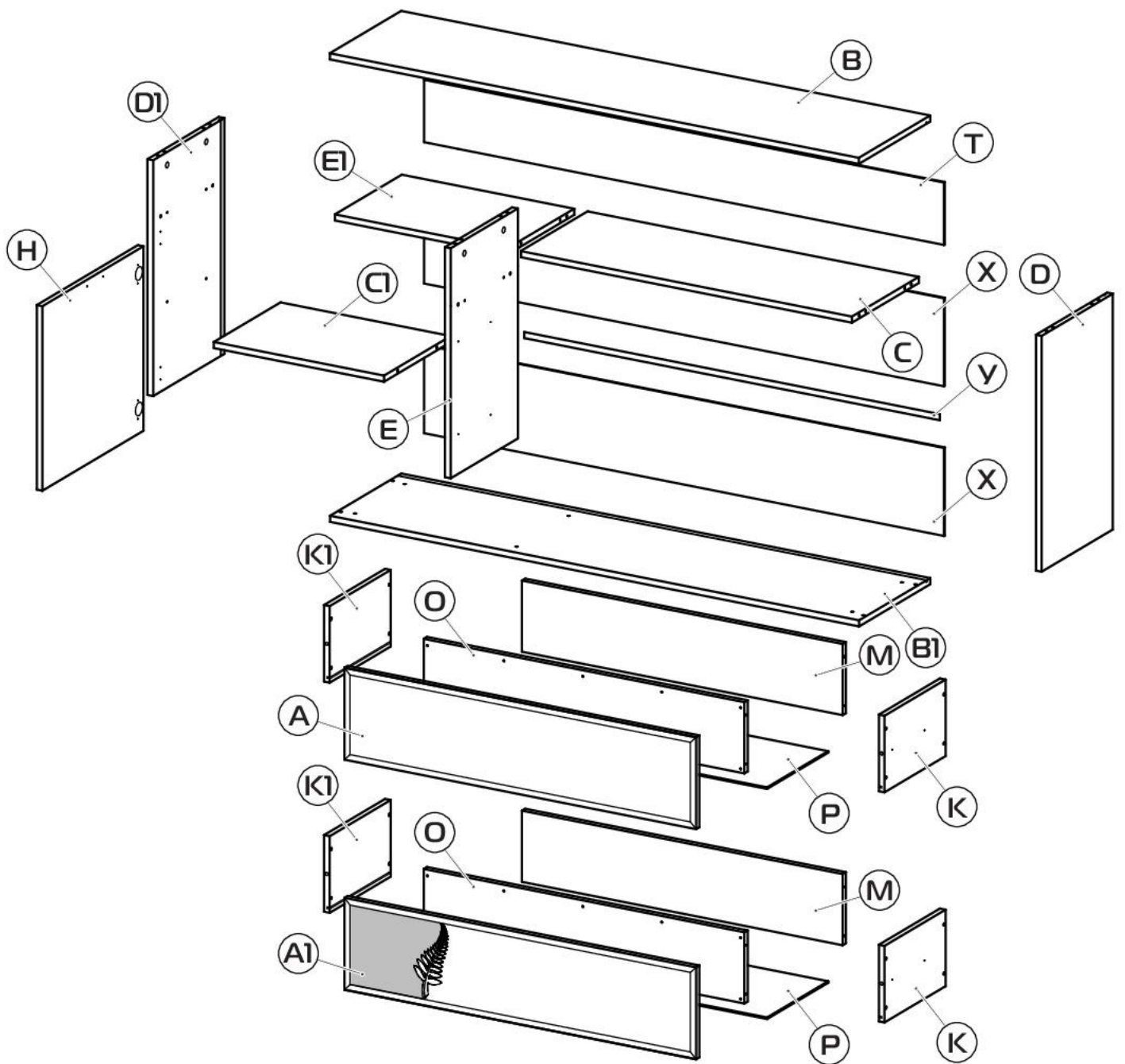


180 min



PH2



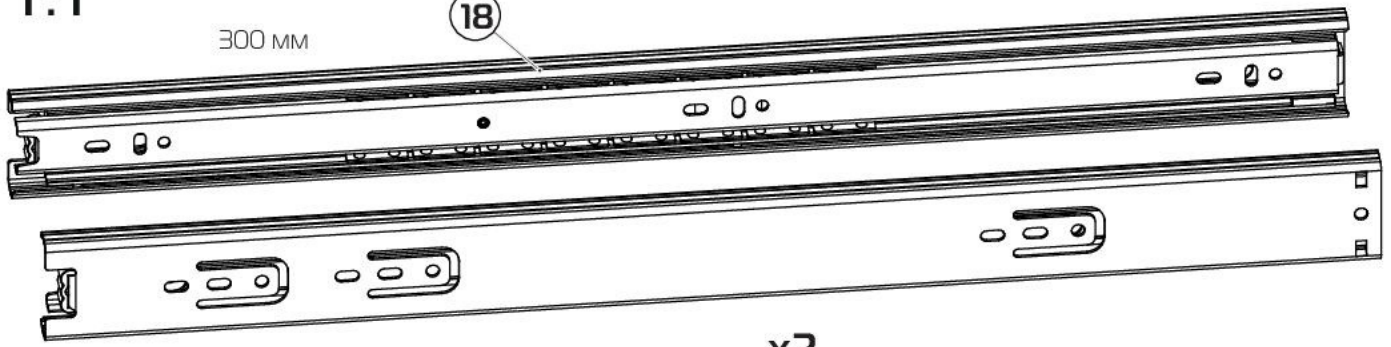


(A)	692013.000	998x240x20	(x1)	(H)	692040.008	482x497x16	(x1)
(A1)	692041.000	998x240x20	(x1)	(K)	692040.010	284x200x16	(x2)
(B)	692040.001	1501x355x16	(x1)	(K1)	692040.011	284x200x16	(x2)
(B1)	692040.002	1501x351x16	(x1)	(M)	692010.012	910x186x16	(x2)
(C)	692040.003	968x328x16	(x1)	(O)	692010.013	944x200x16	(x2)
(C1)	692040.004	483x328x16	(x1)	(P)	692040.013	924x290x4	(x2)
(D)	692040.005	616x350x16	(x1)	(T)	688040.014	1475x163x4	(x1)
(D1)	692040.006	616x350x16	(x1)	(X)	688040.015	1475x230x4	(x2)
(E)	692040.007	616x330x16	(x1)	(Y)	L-967		(x1)
(E1)	692040.009	483x328x16	(x1)				

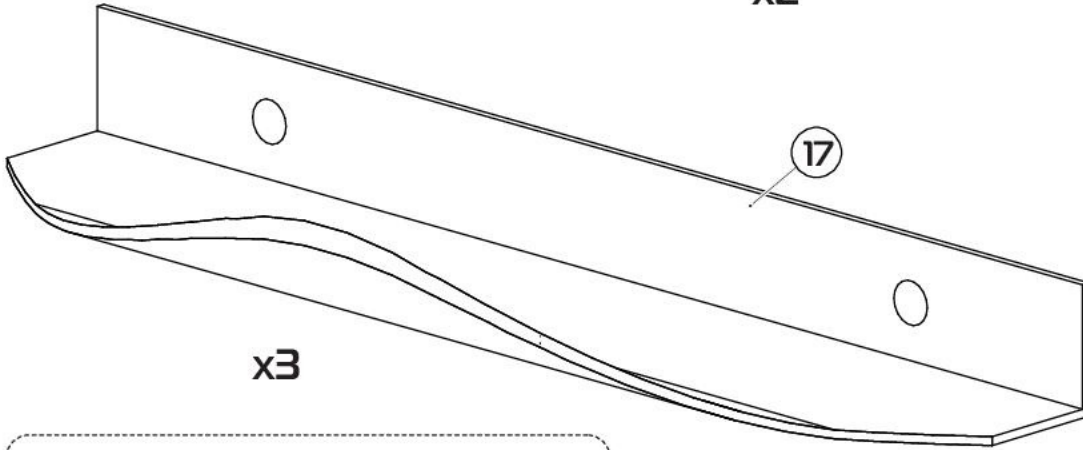
1:1

300 MM

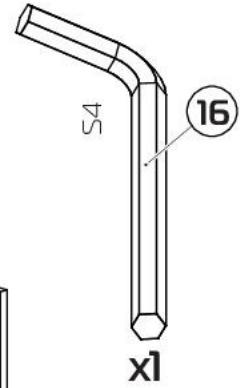
18



x2



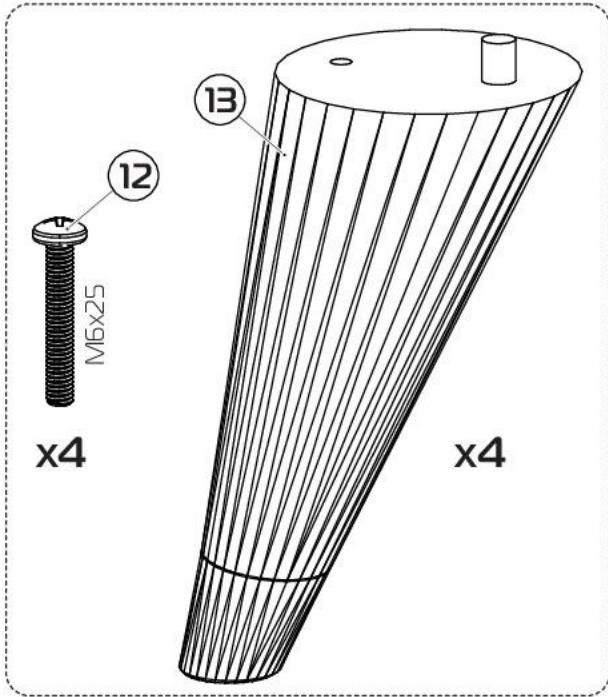
x3



S4

16

x1



13

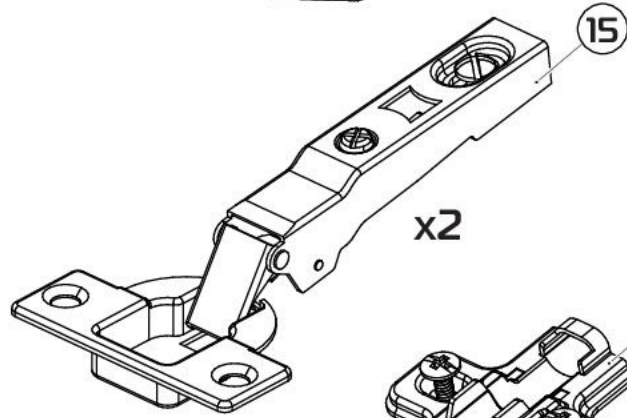
12



x4

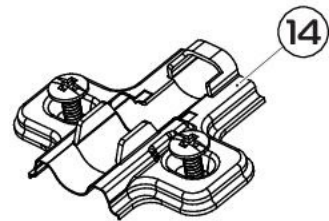
M6x25

x4



x2

15



x2

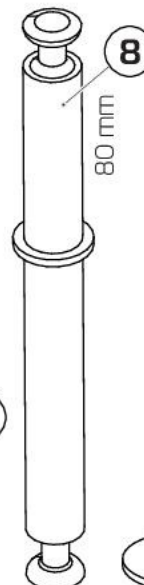
14



19

x2

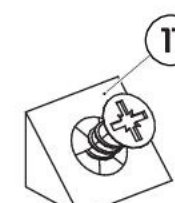
8x50



8

80 mm

x2



11

x40



1

x14

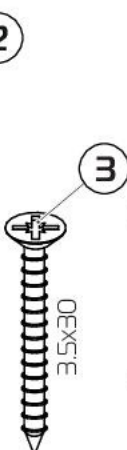
Ø8x8



2

x22

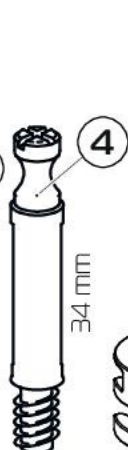
7x50



3

x12

Ø8x5.5E



4

x14

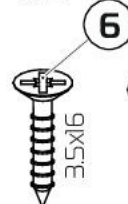
34 mm



5

x18

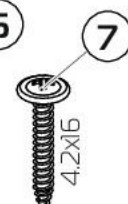
Ø15x3



6

x26

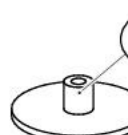
9x5.5E



7

x21

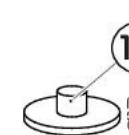
4.2x16



9

x18

Ø18



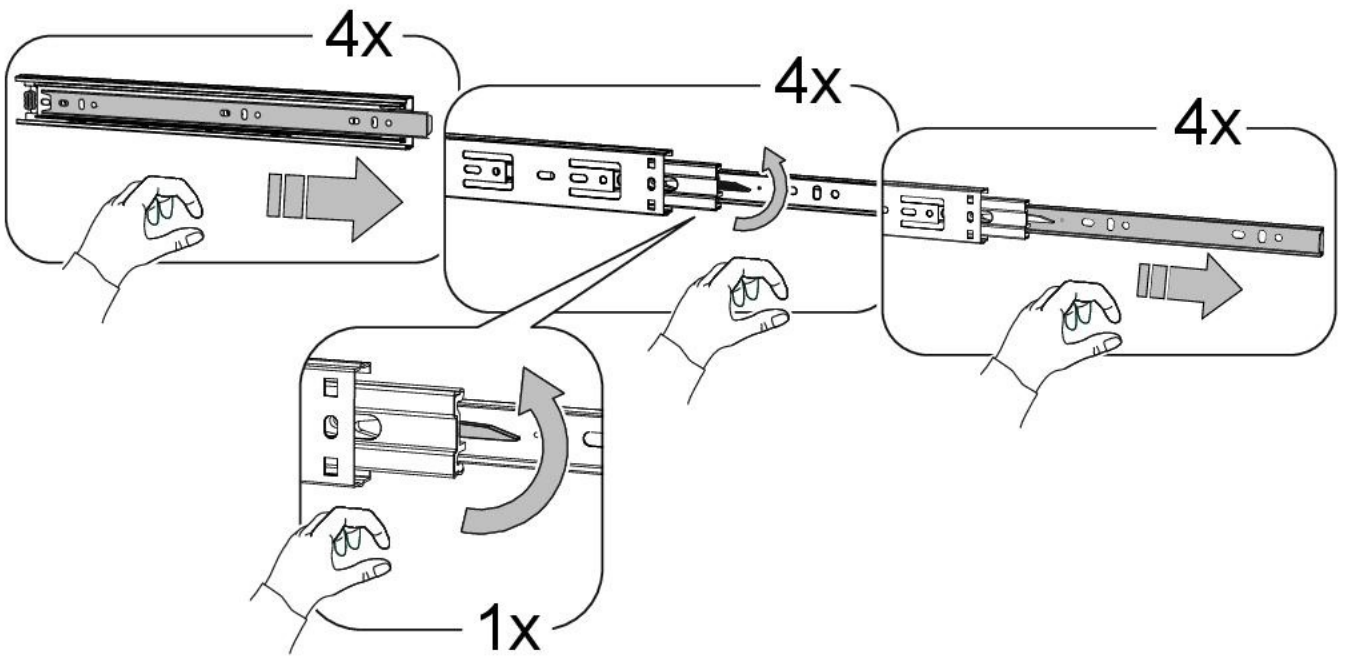
10

x14

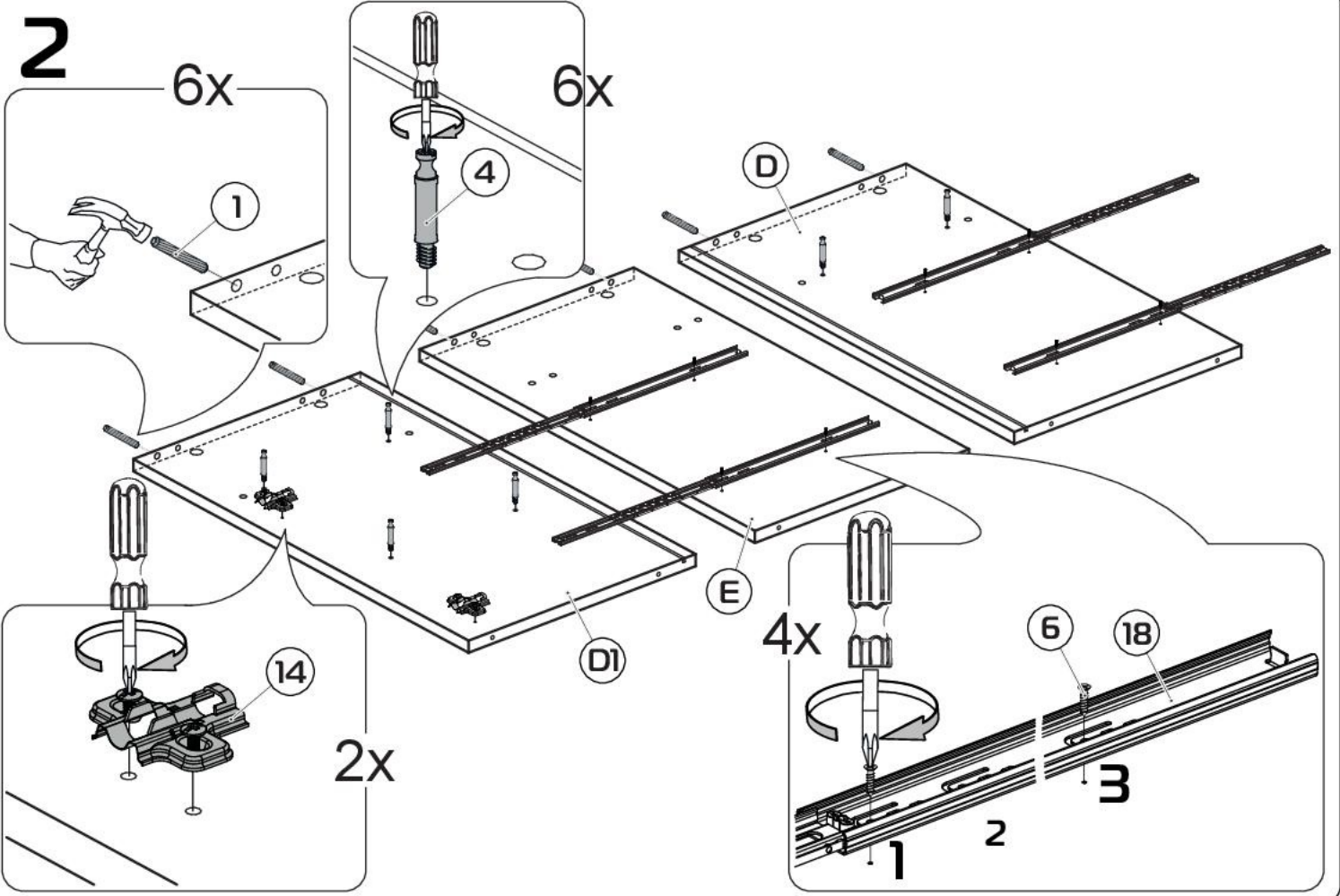
Ø18



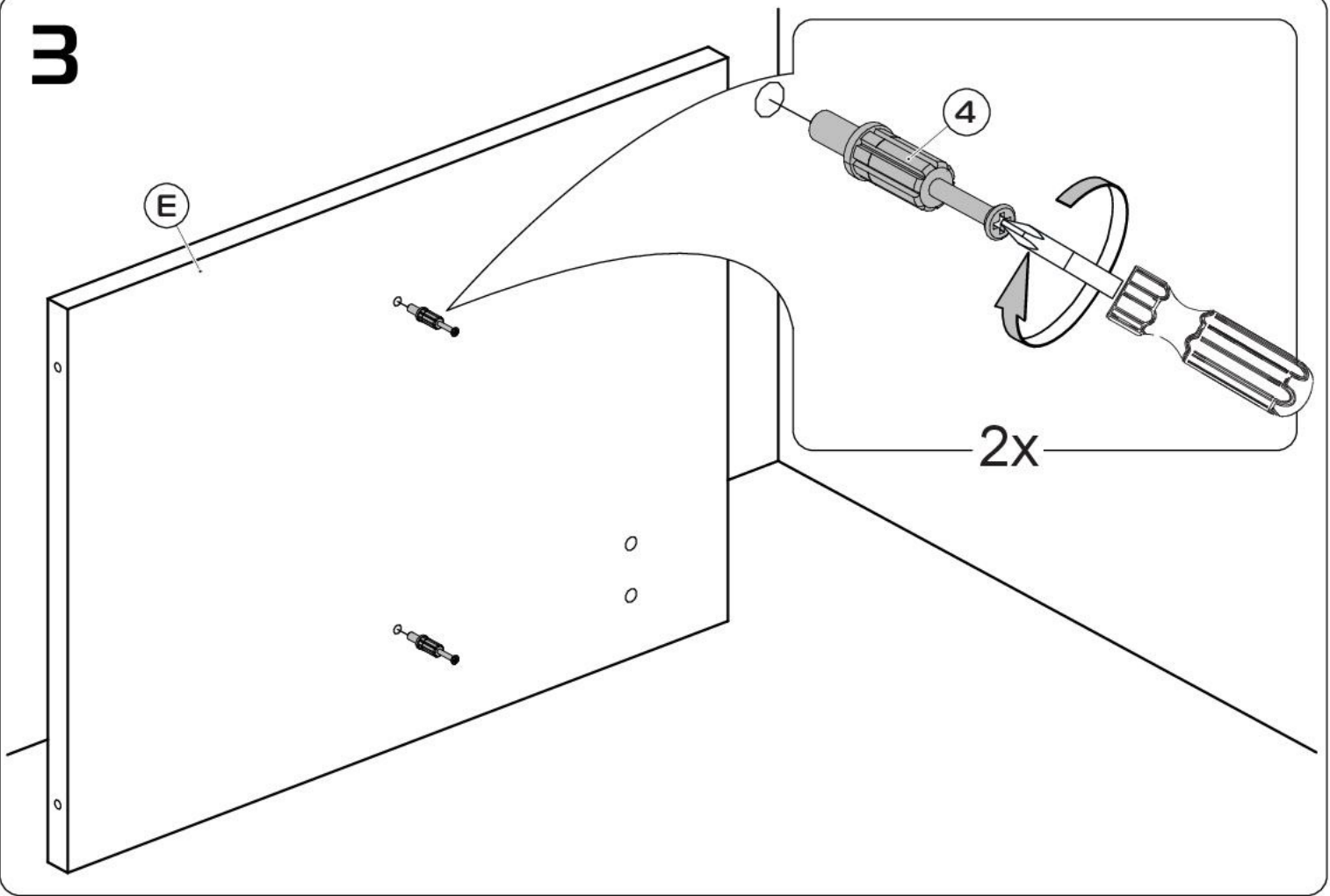
1



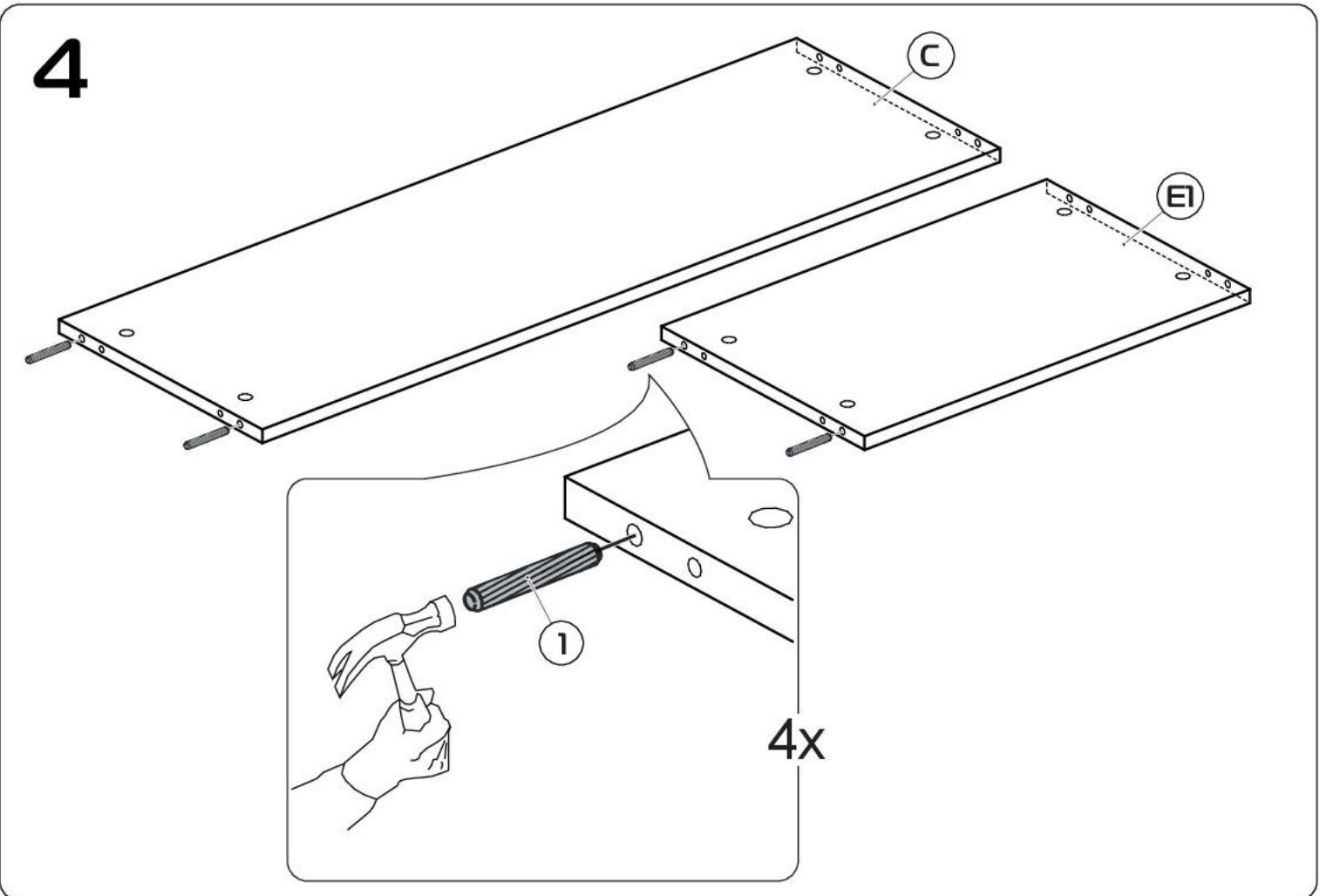
2



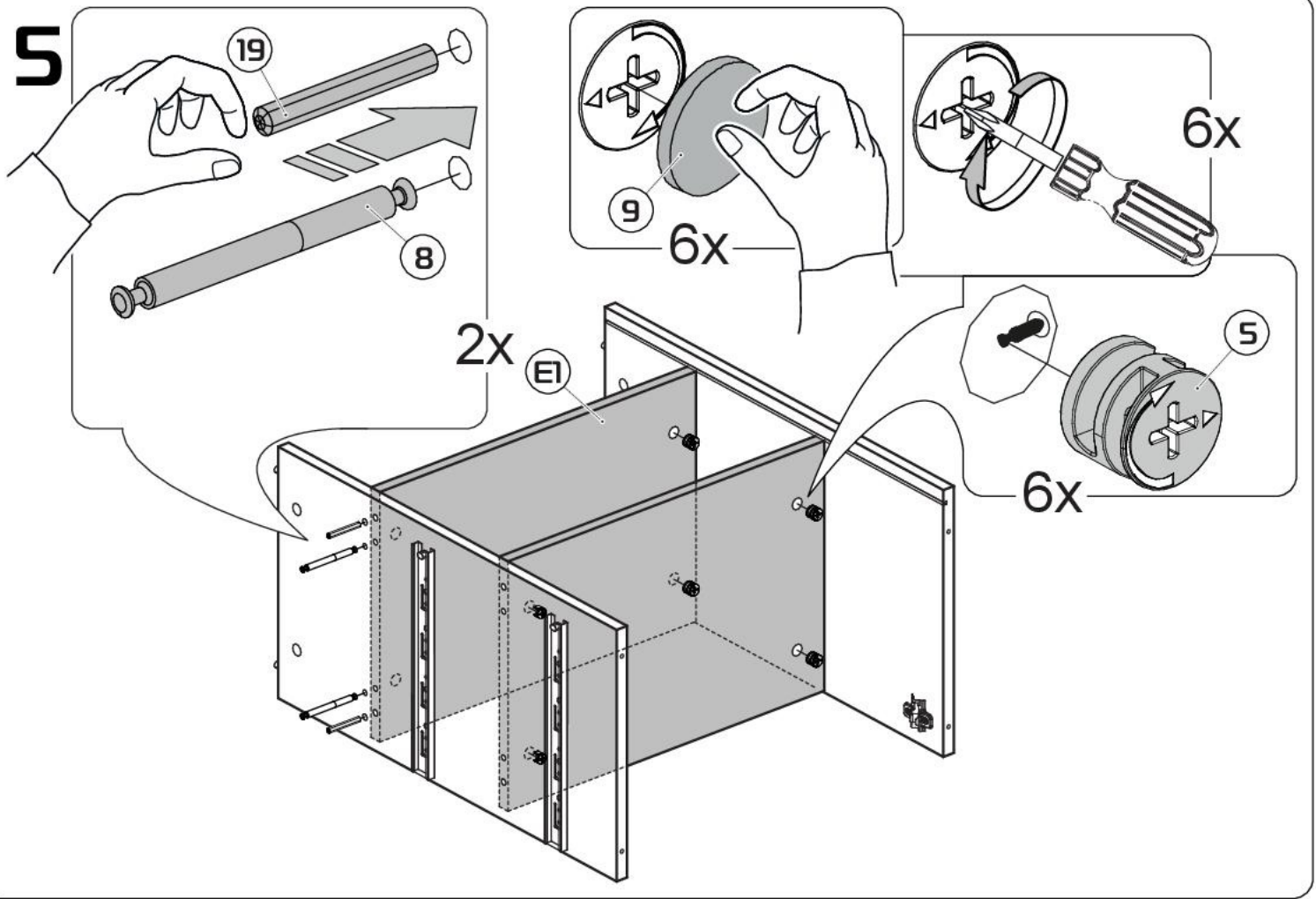
3



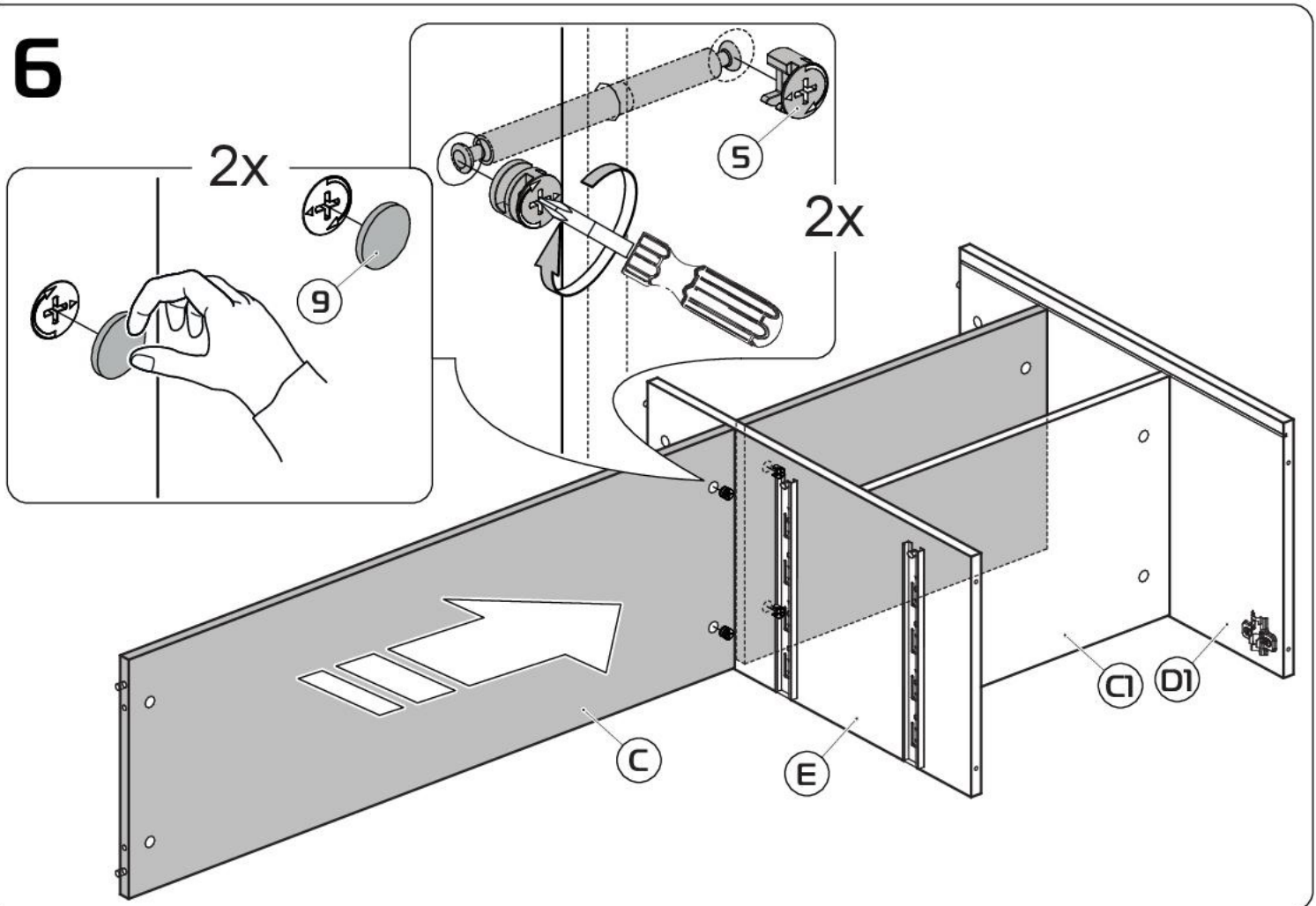
4



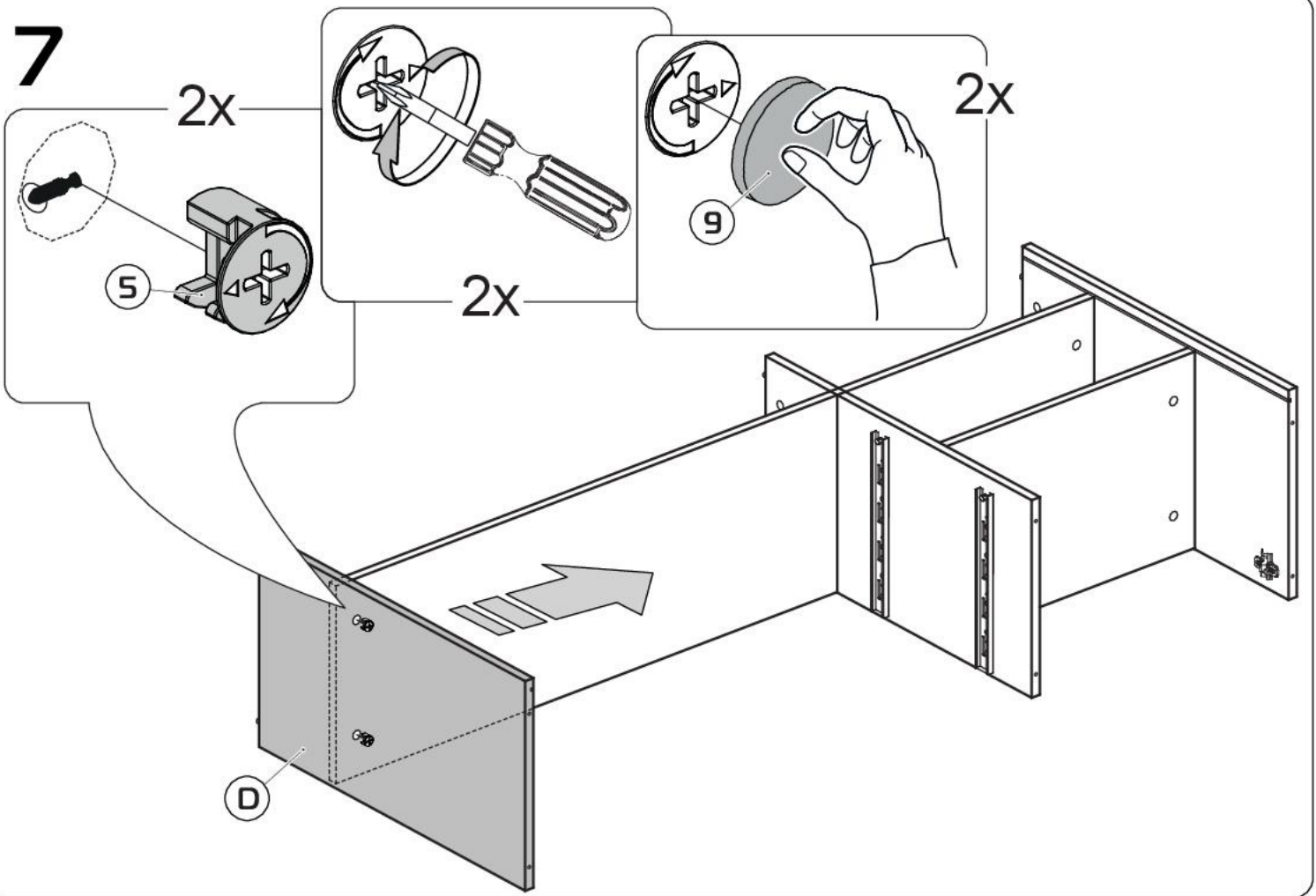
5



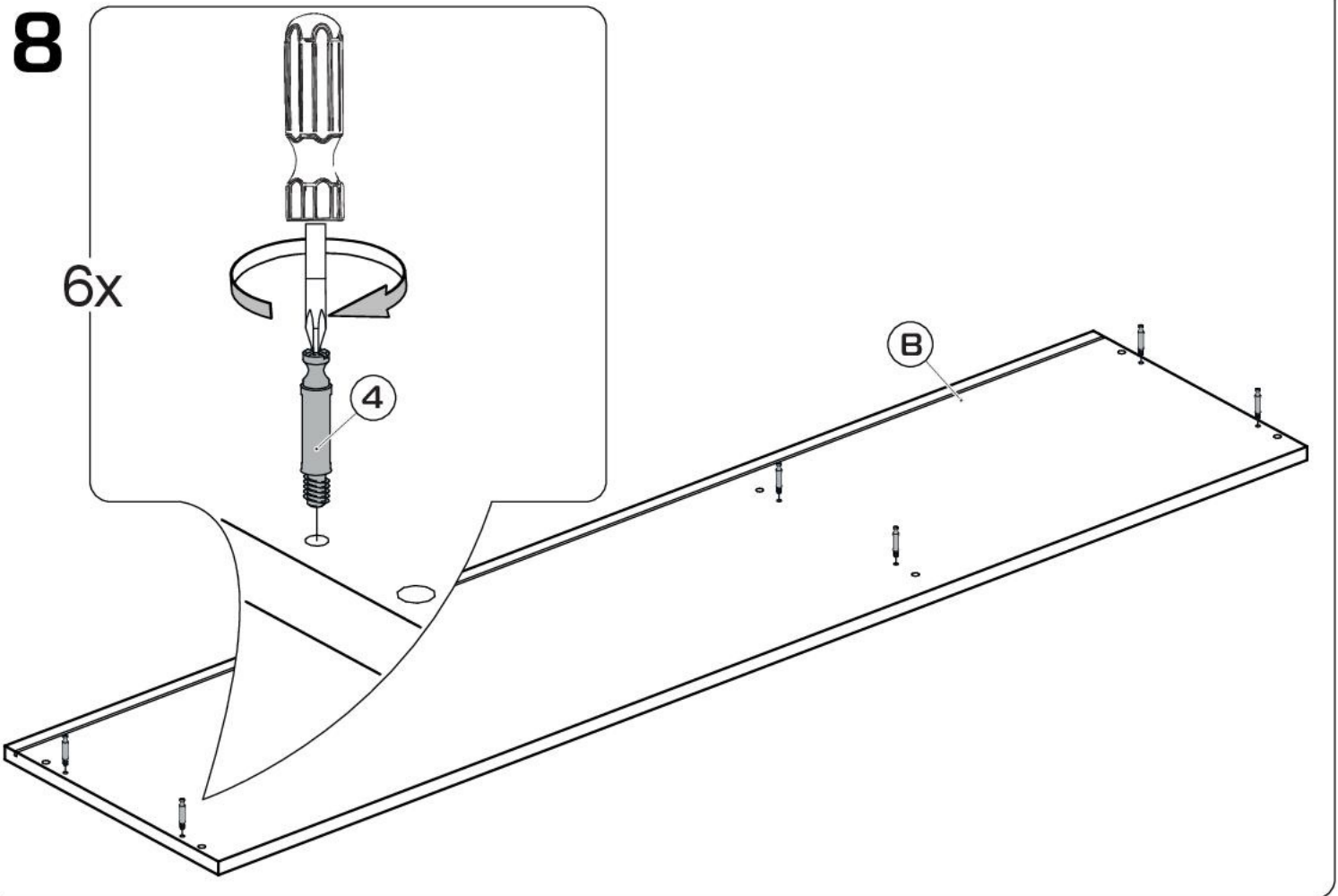
6



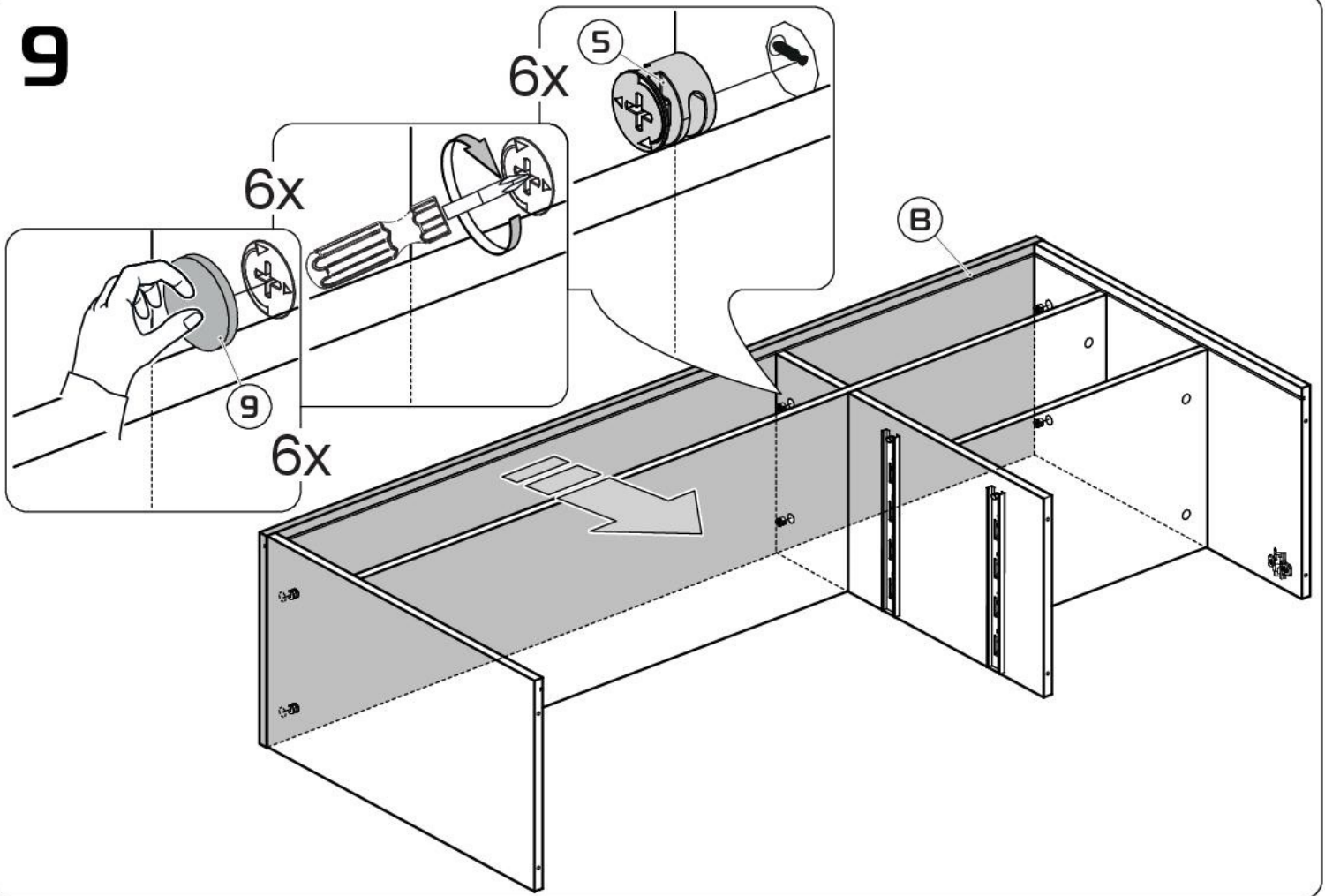
7



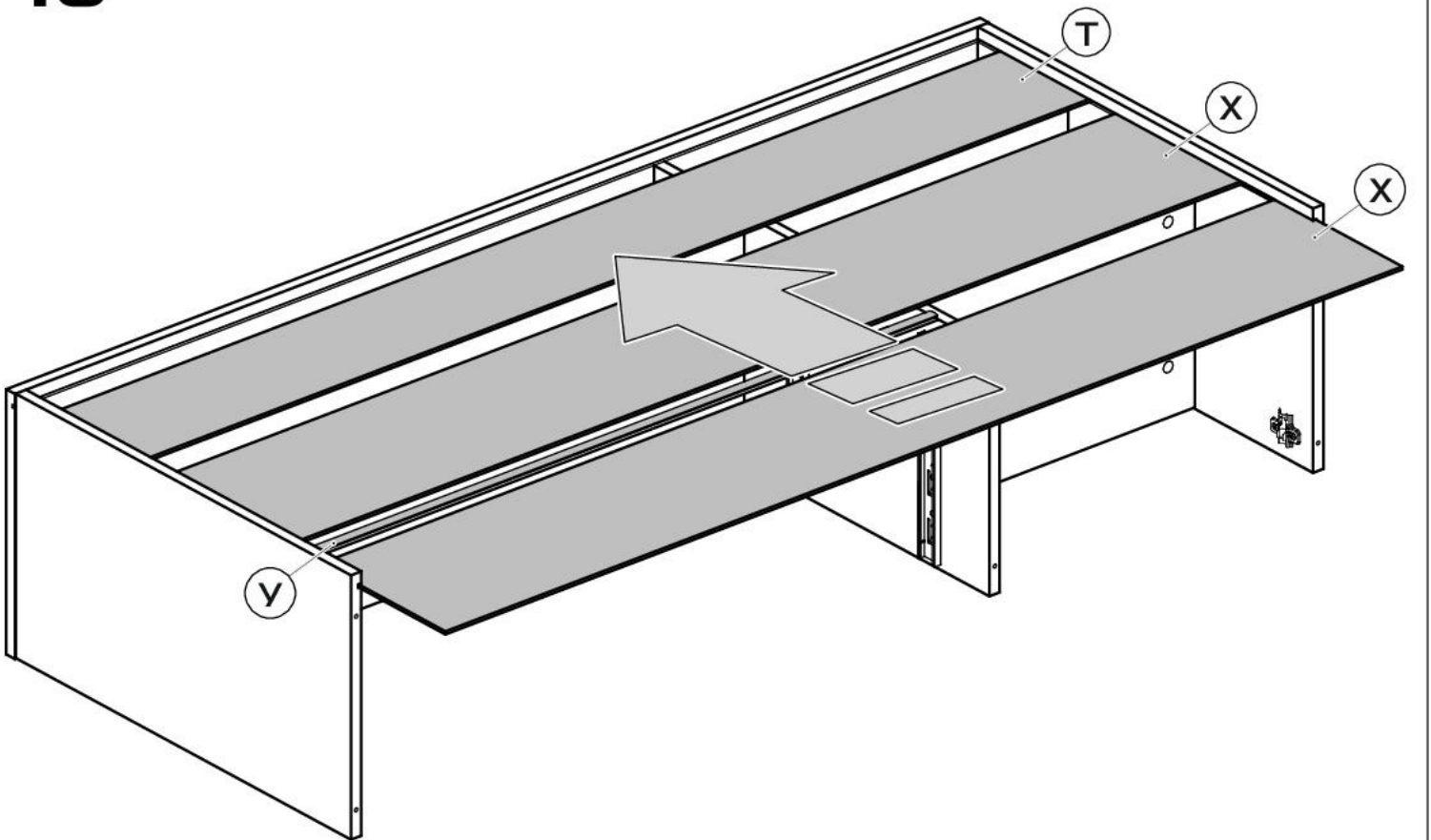
8



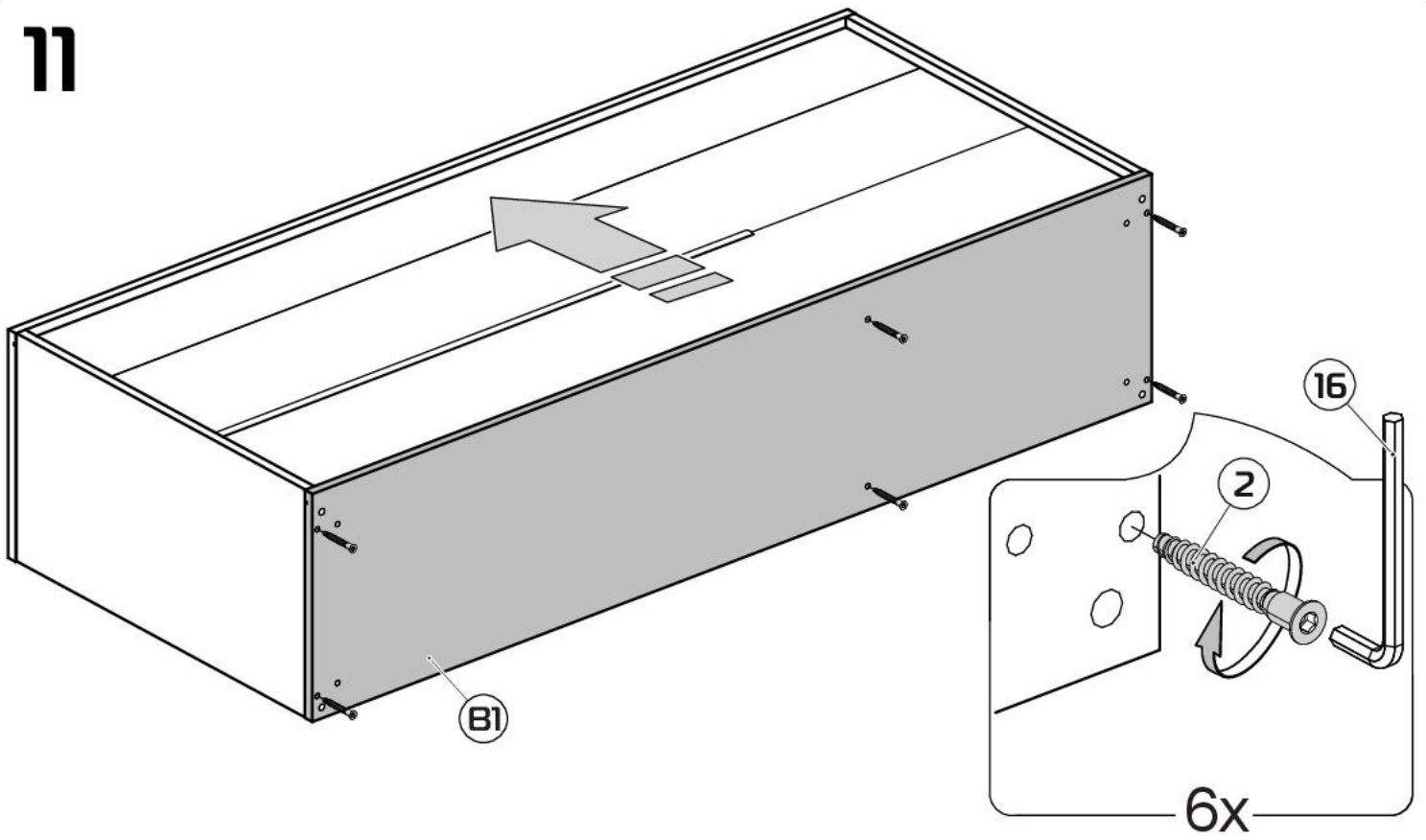
9



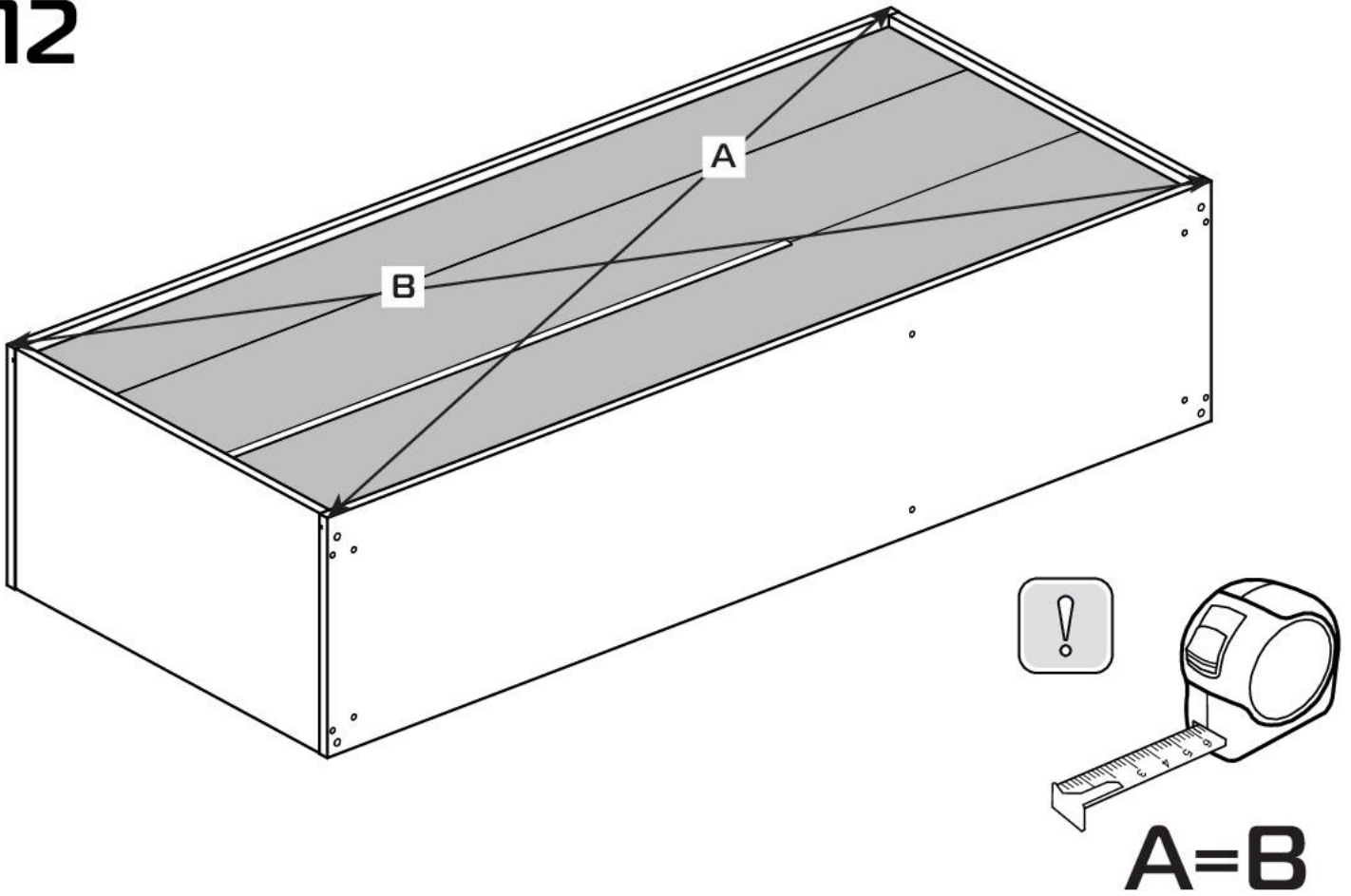
10



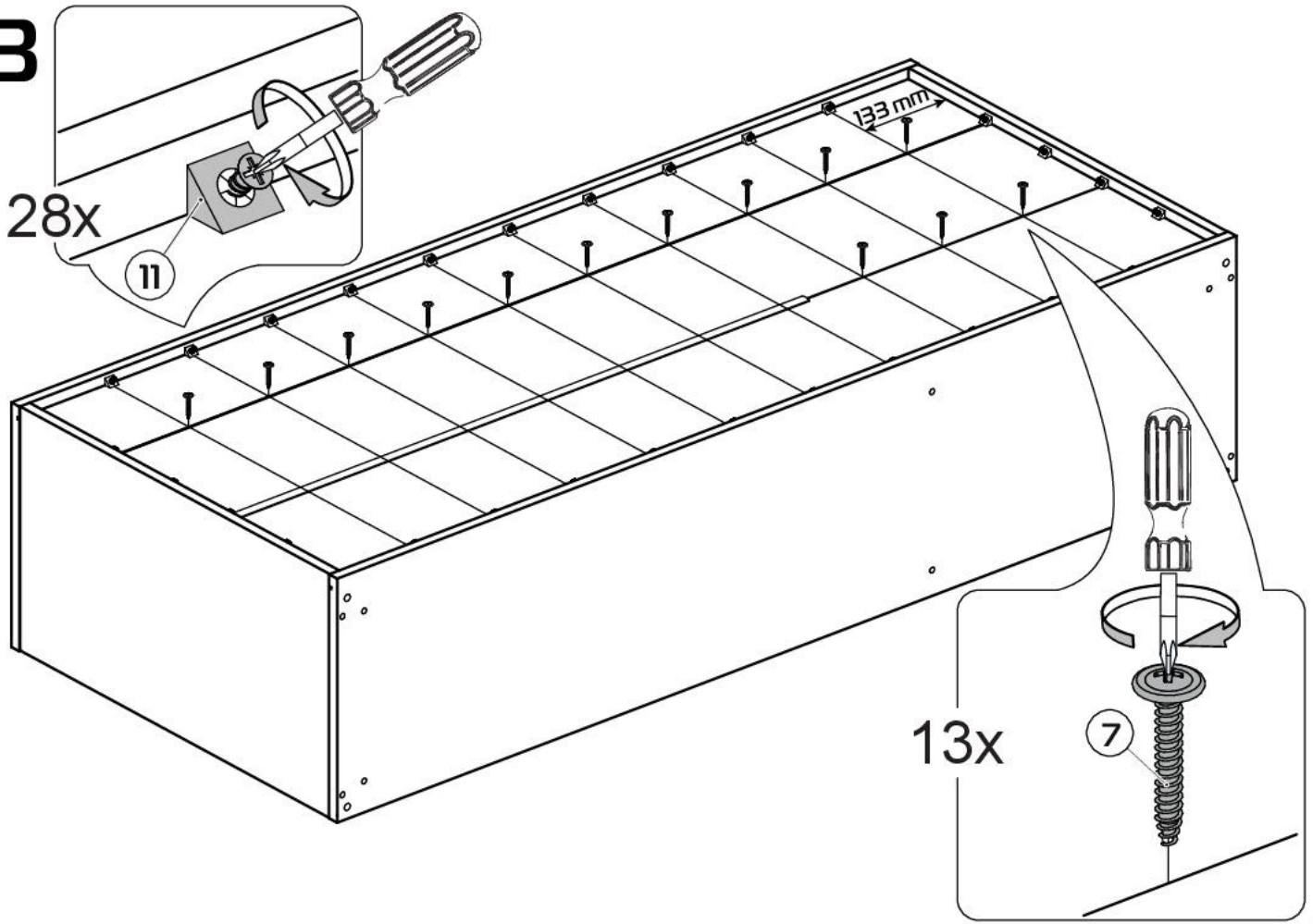
11



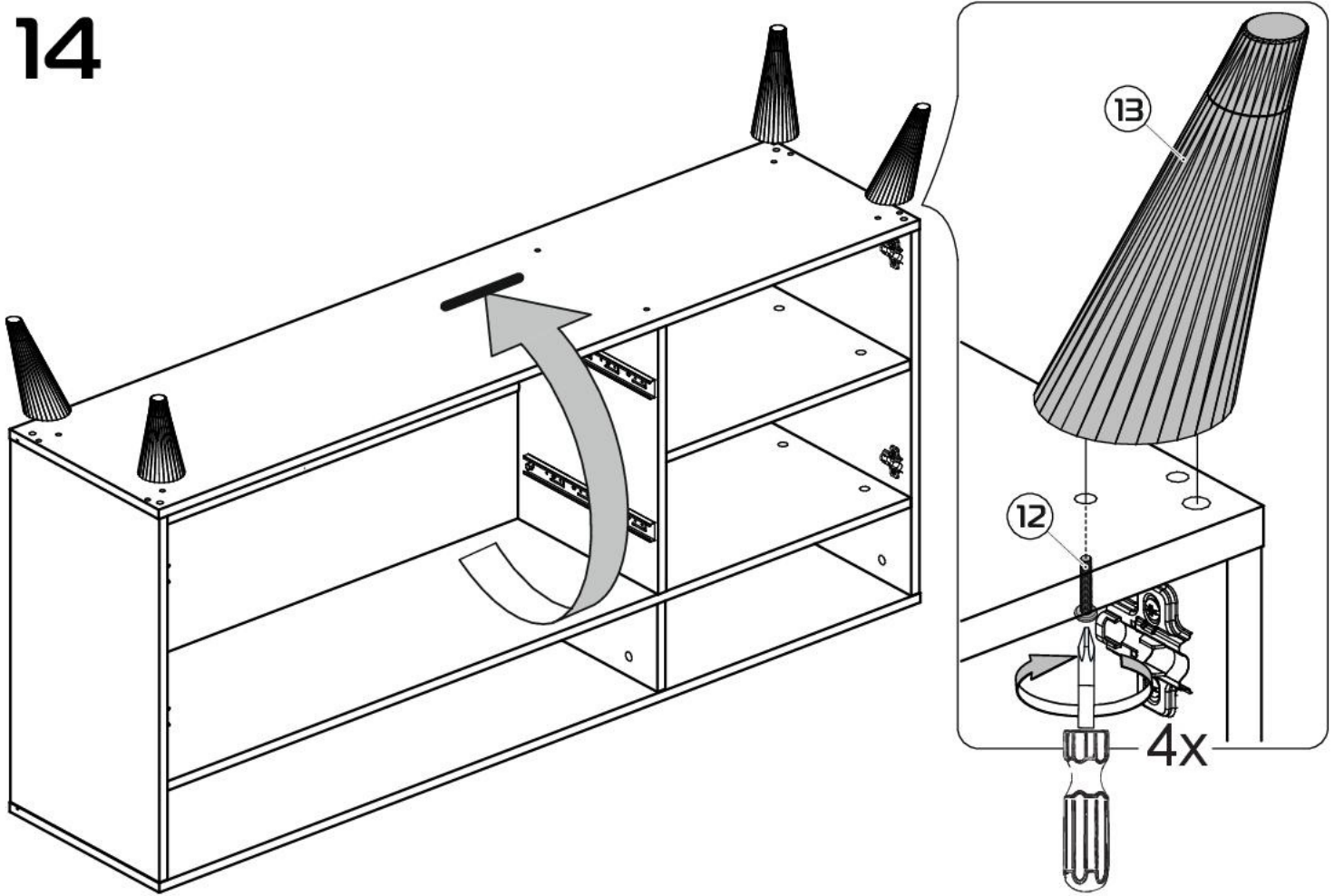
12



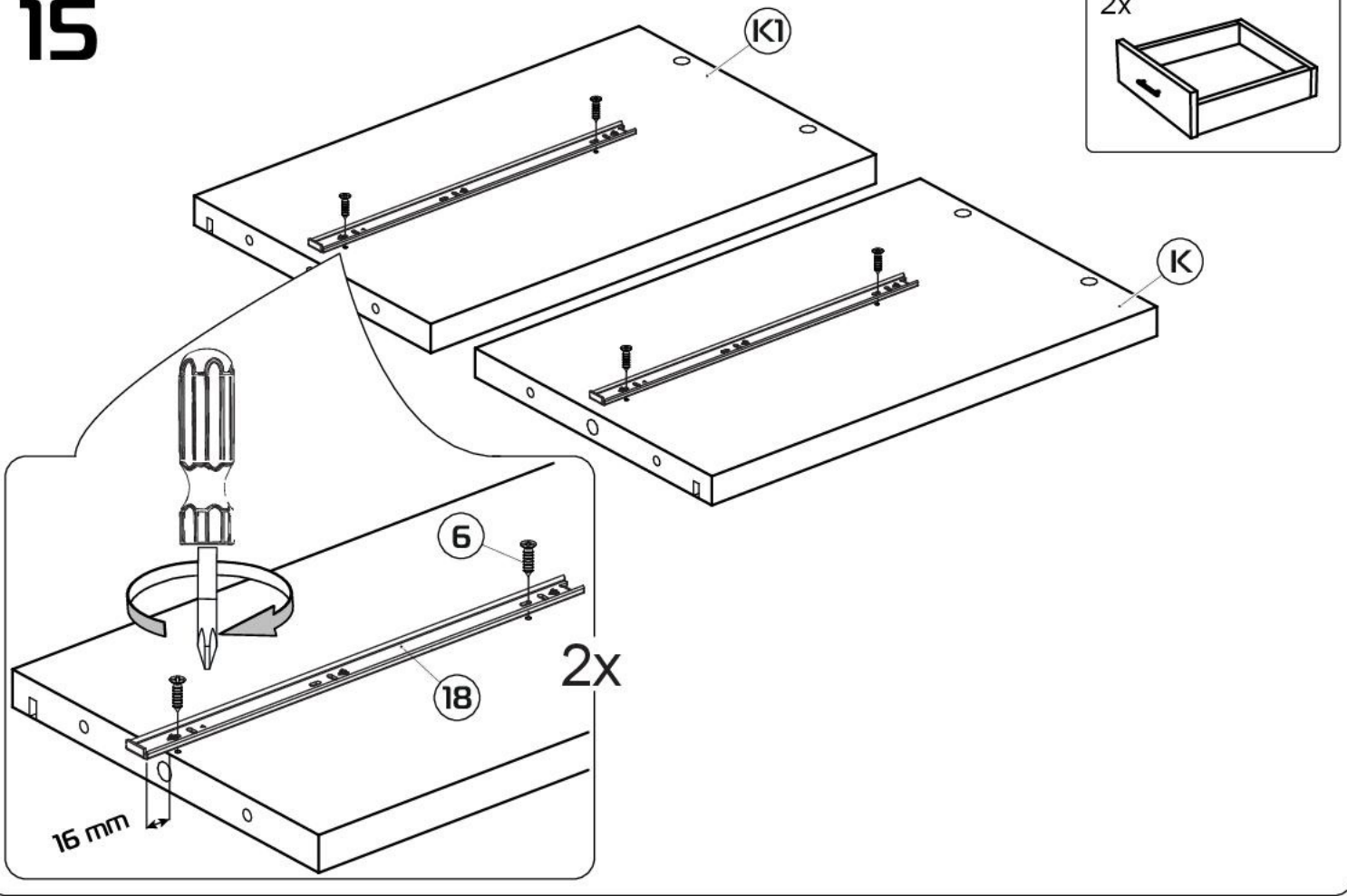
13



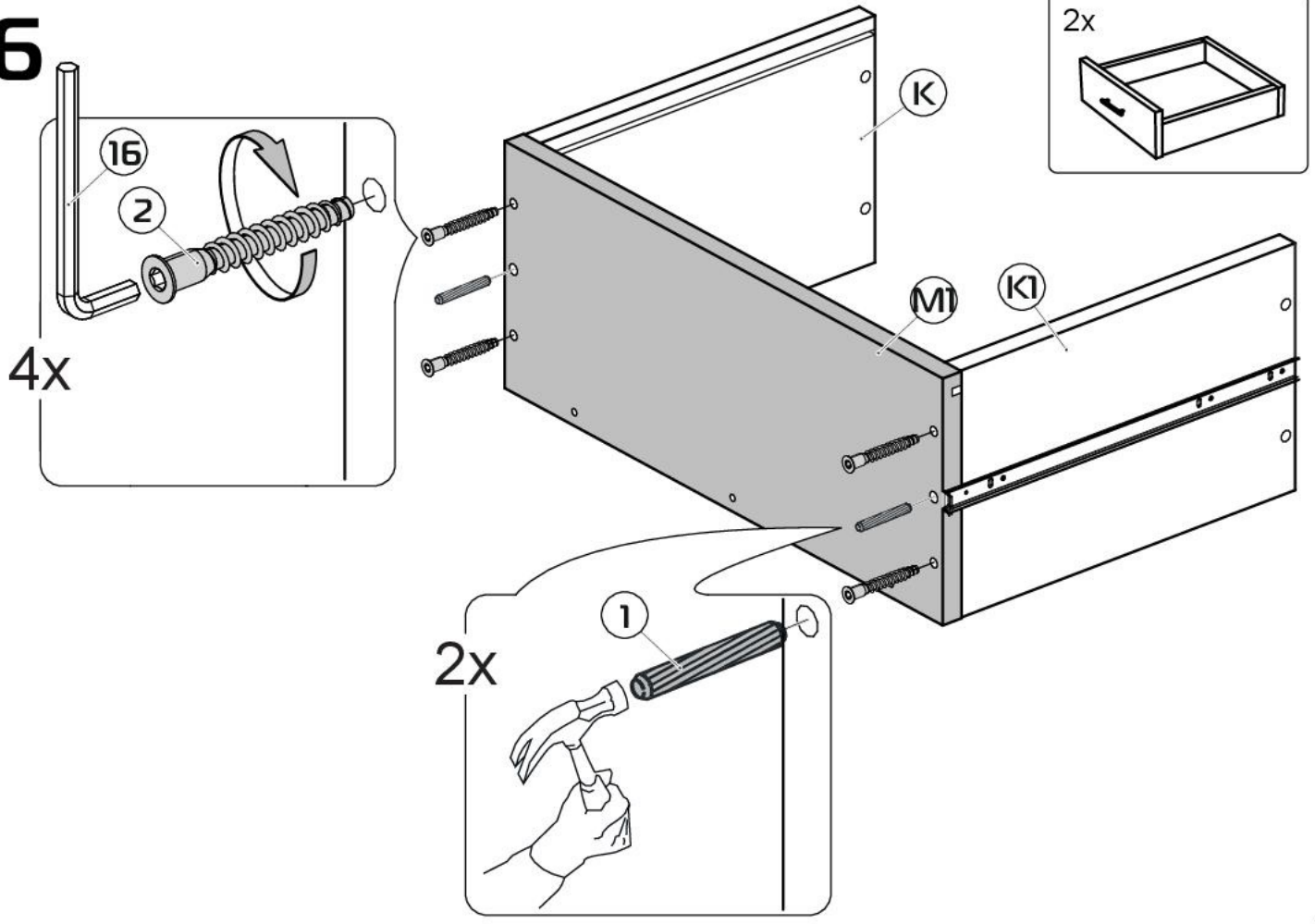
14



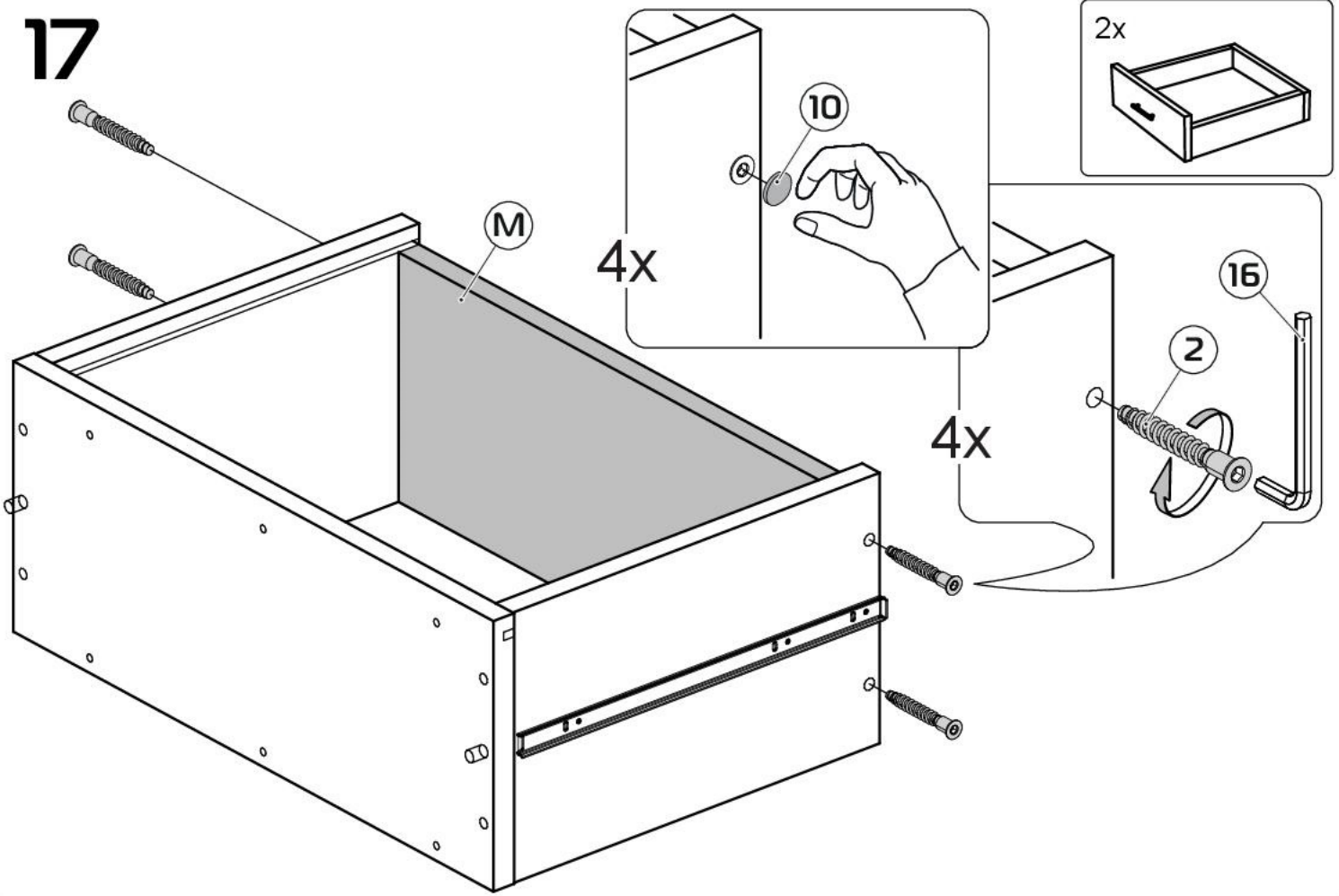
15



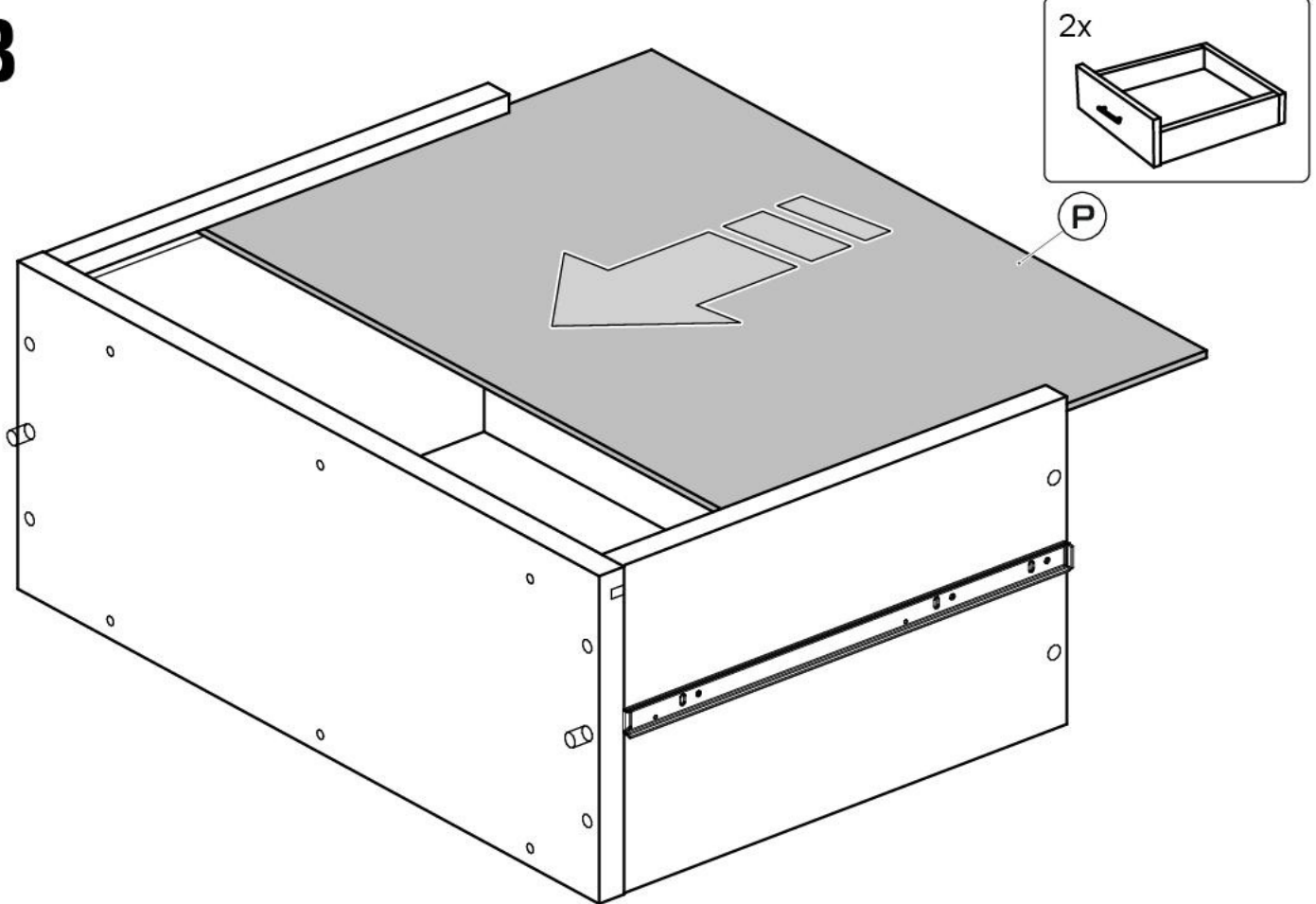
16



17

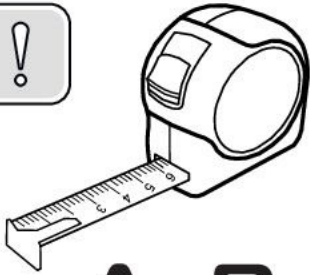
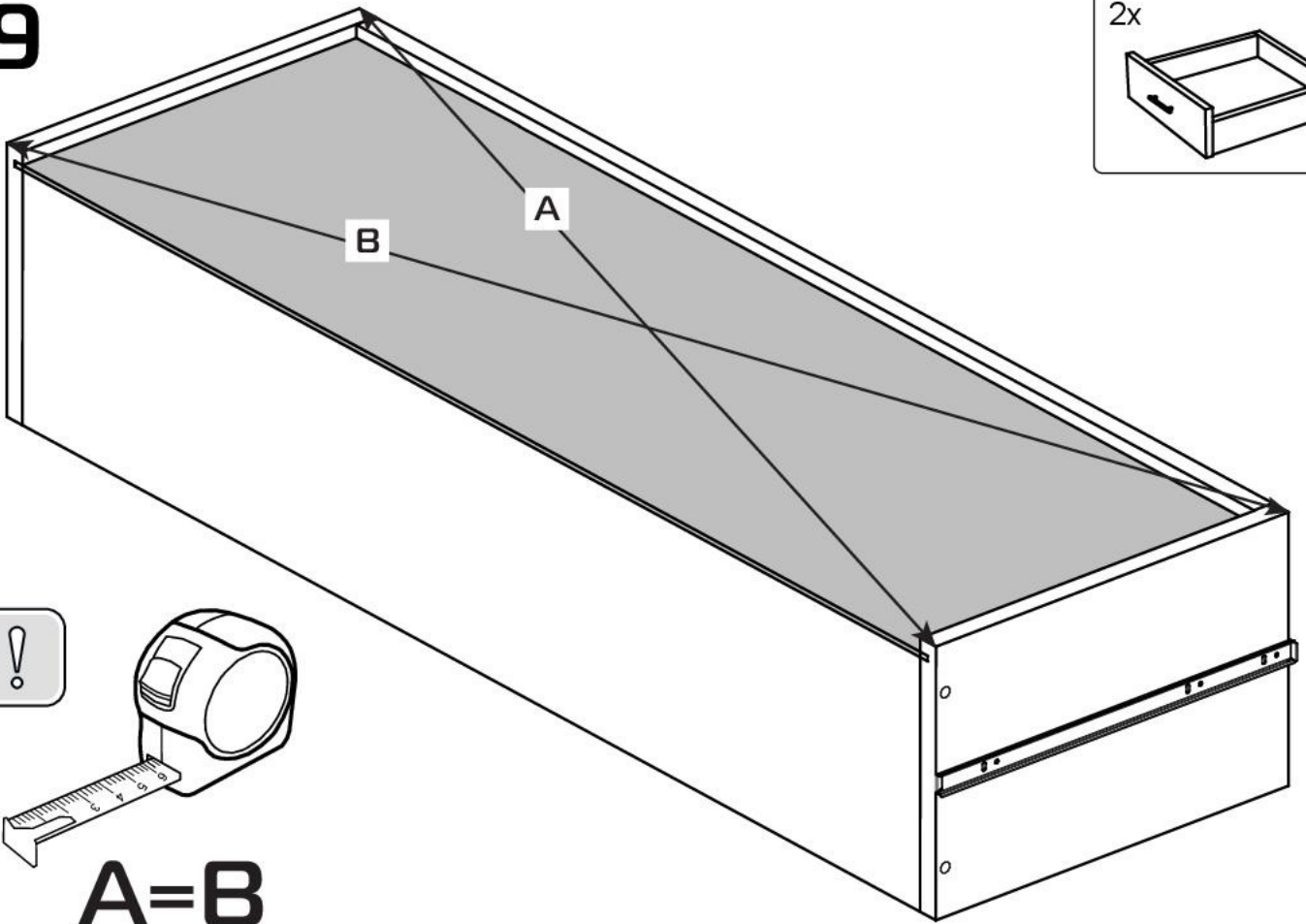
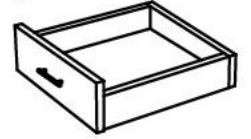


18



19

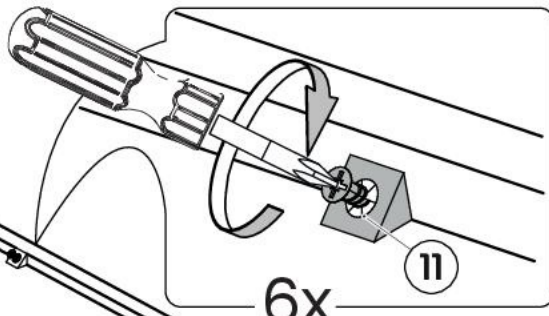
2x



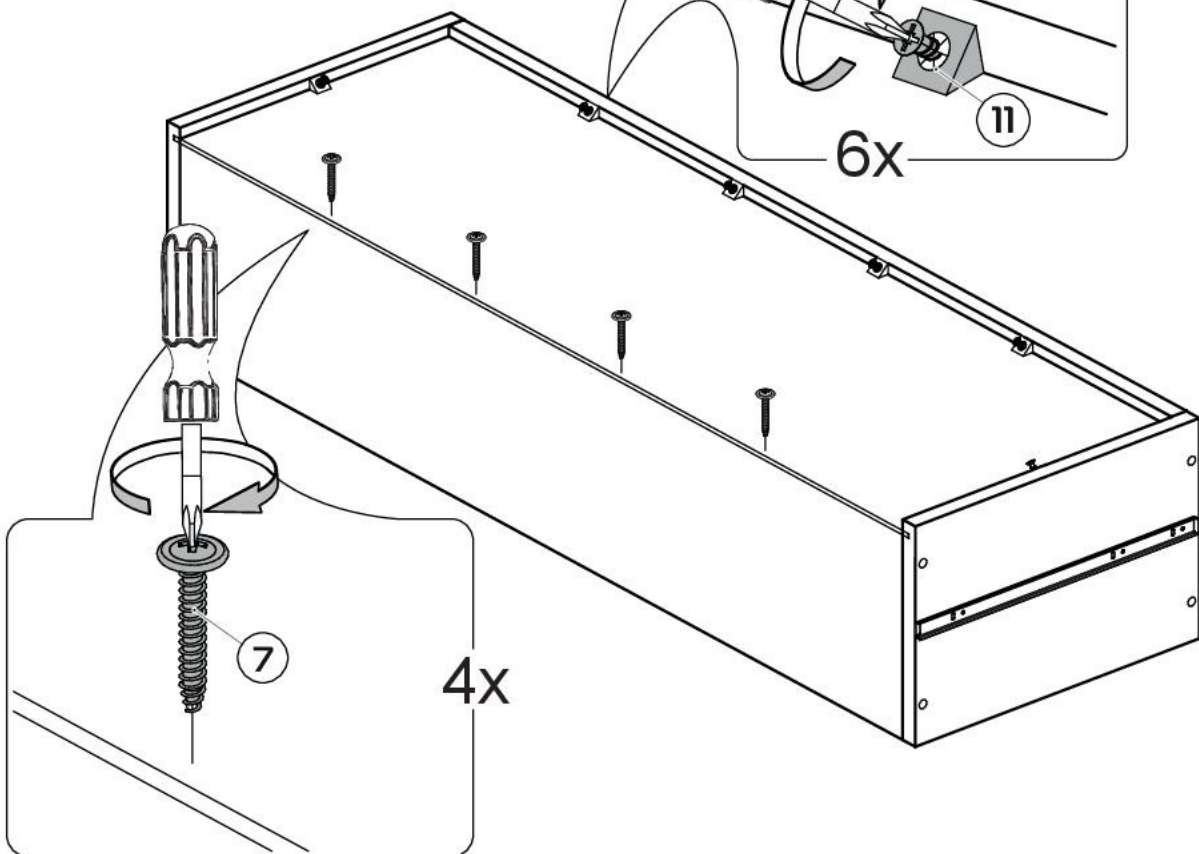
A=B

20

2x

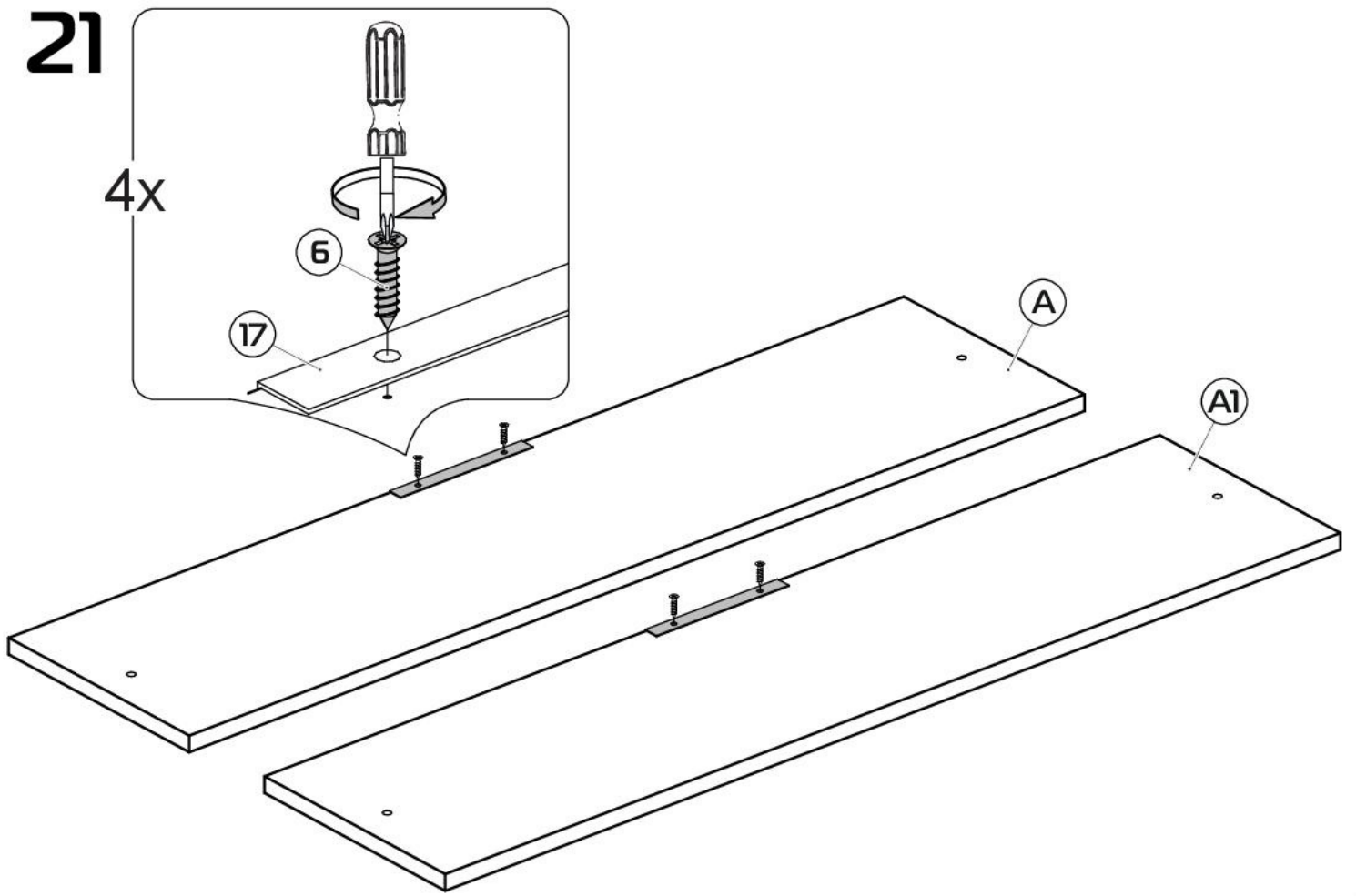


6x

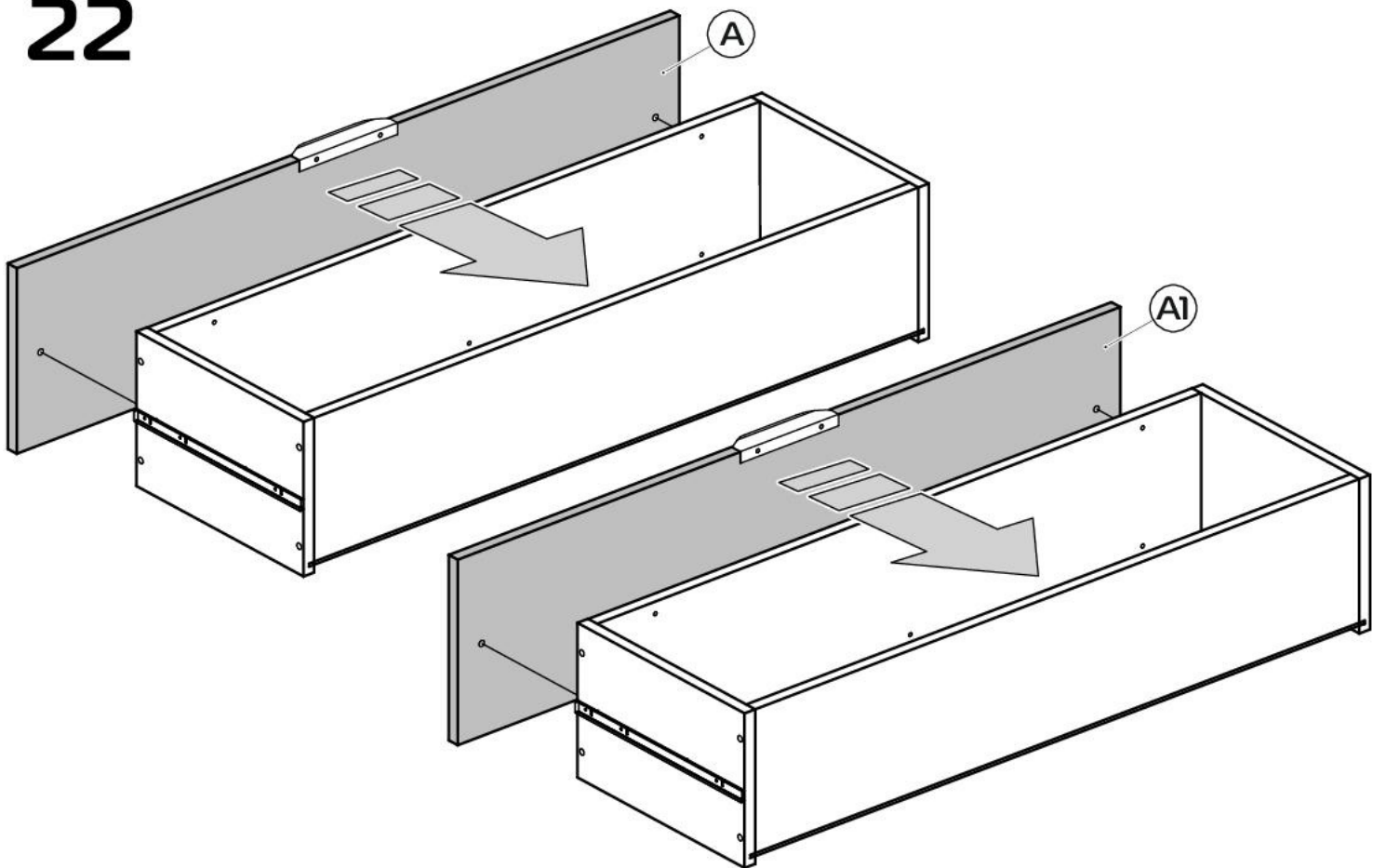


4x

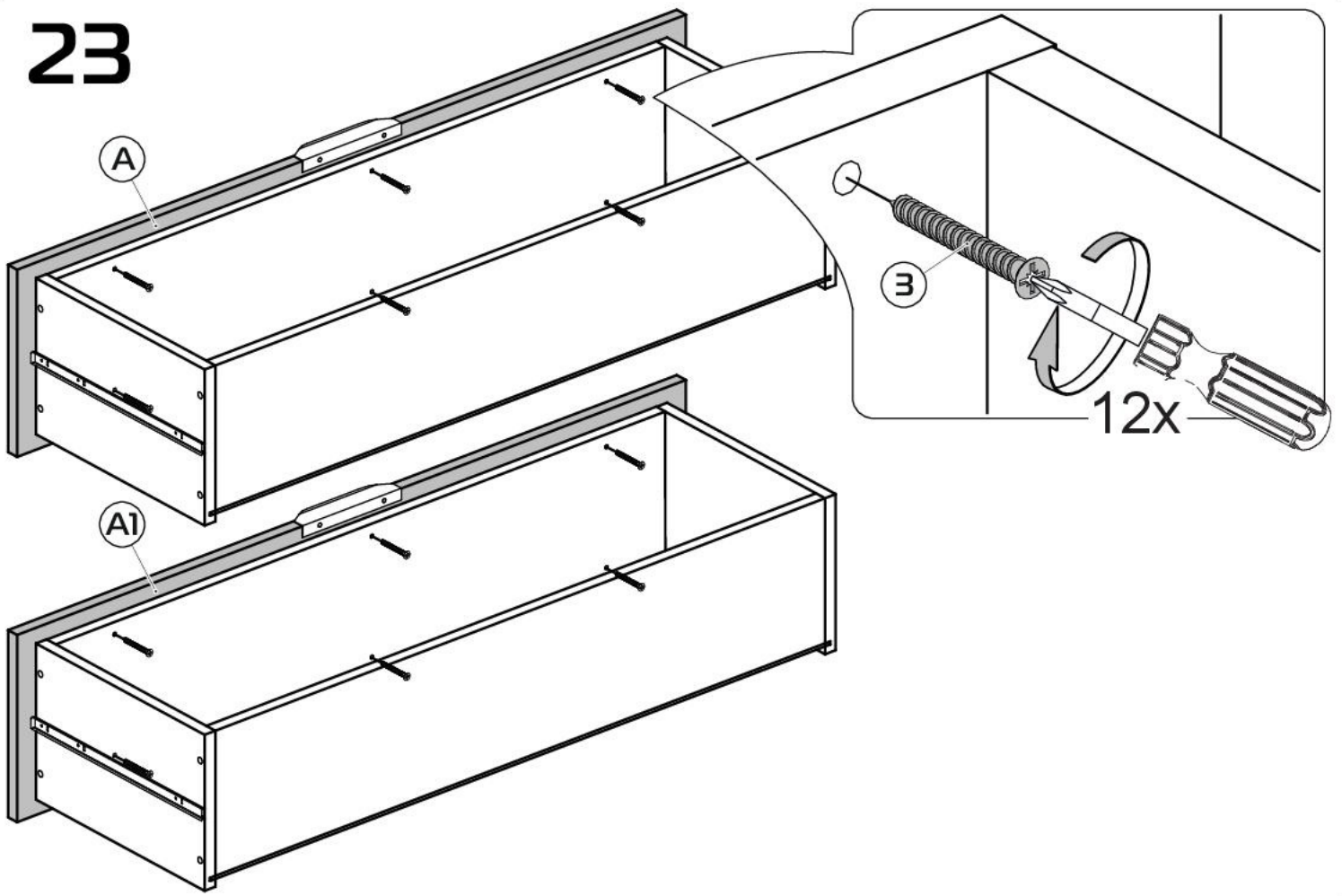
21



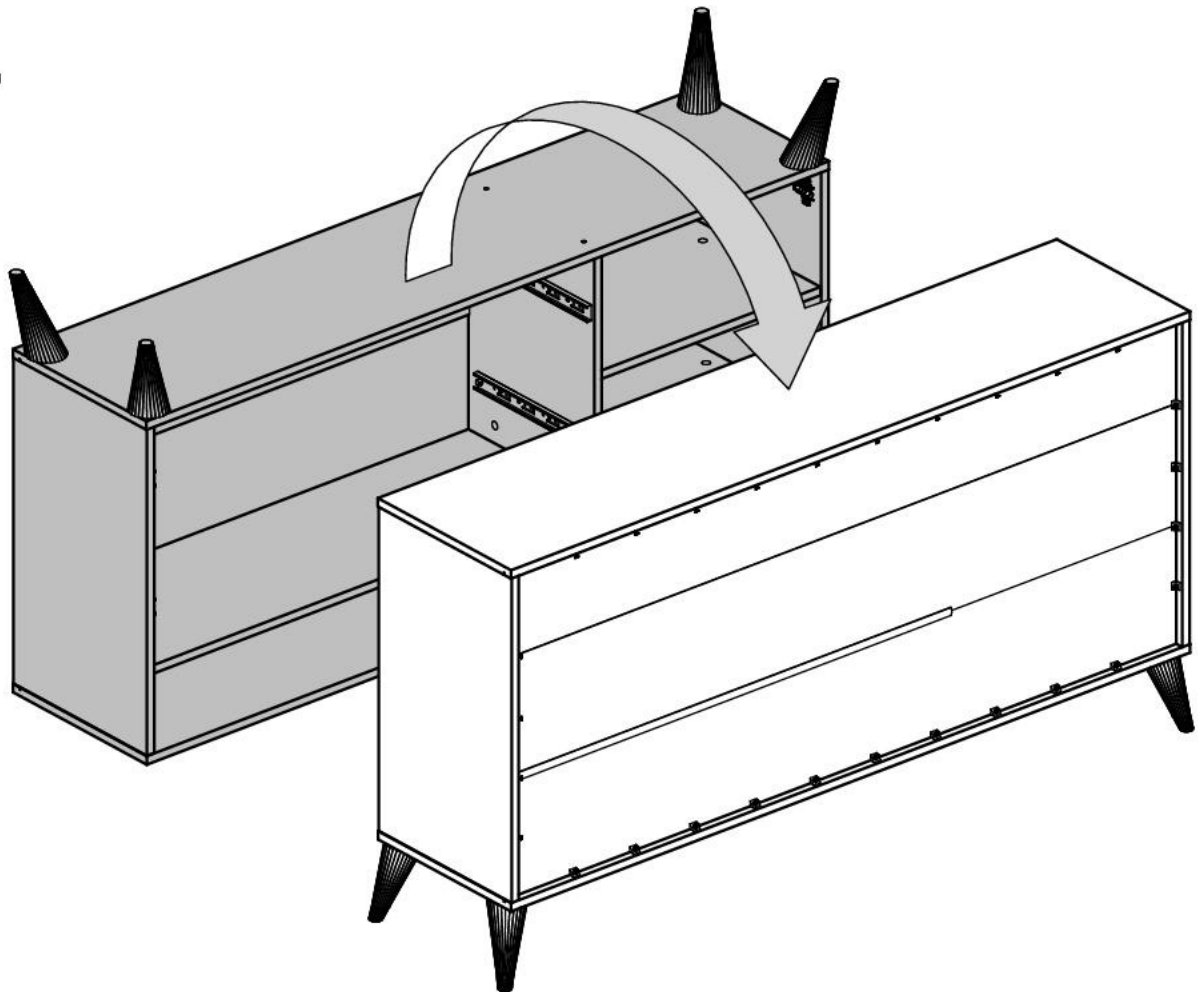
22



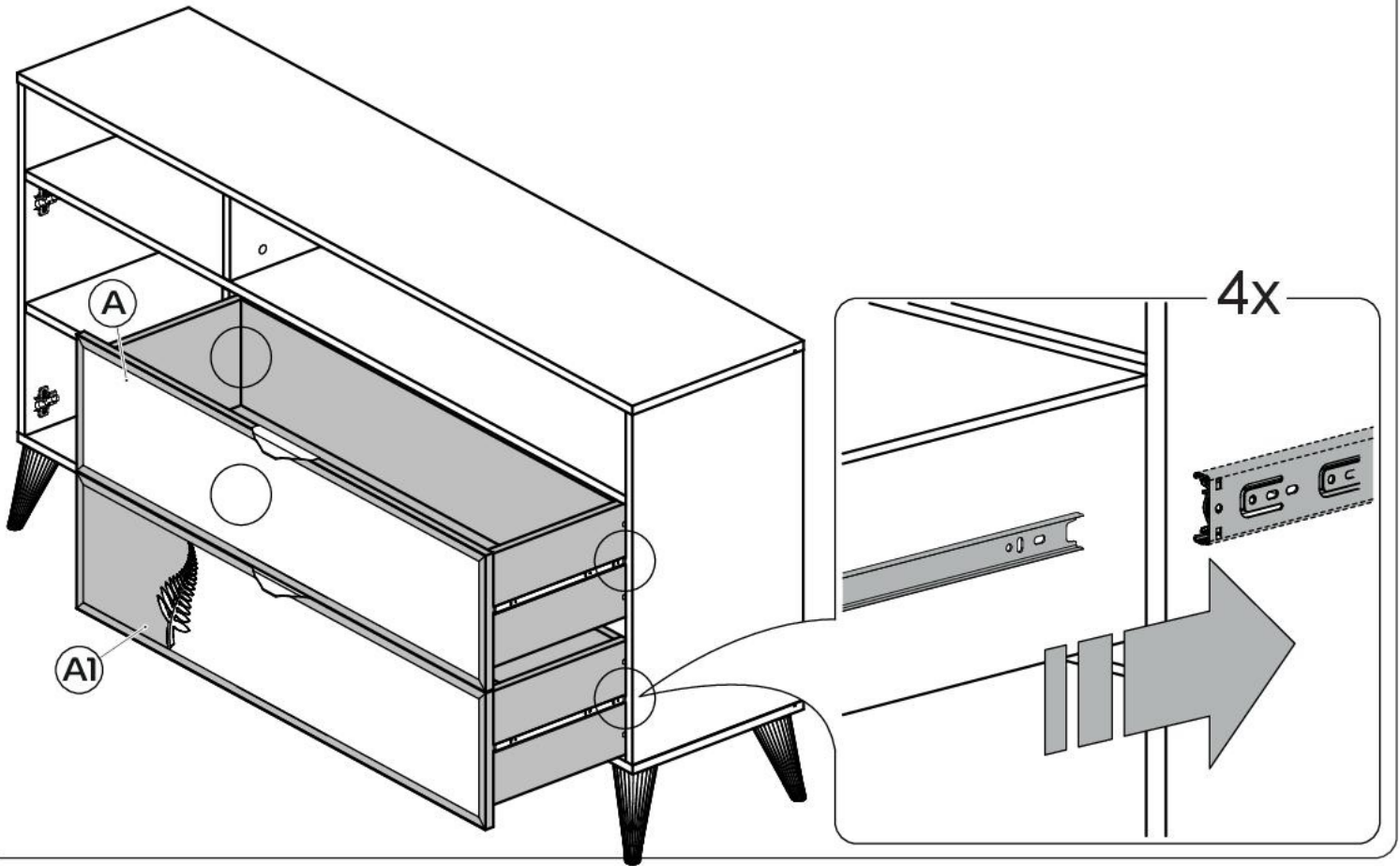
23



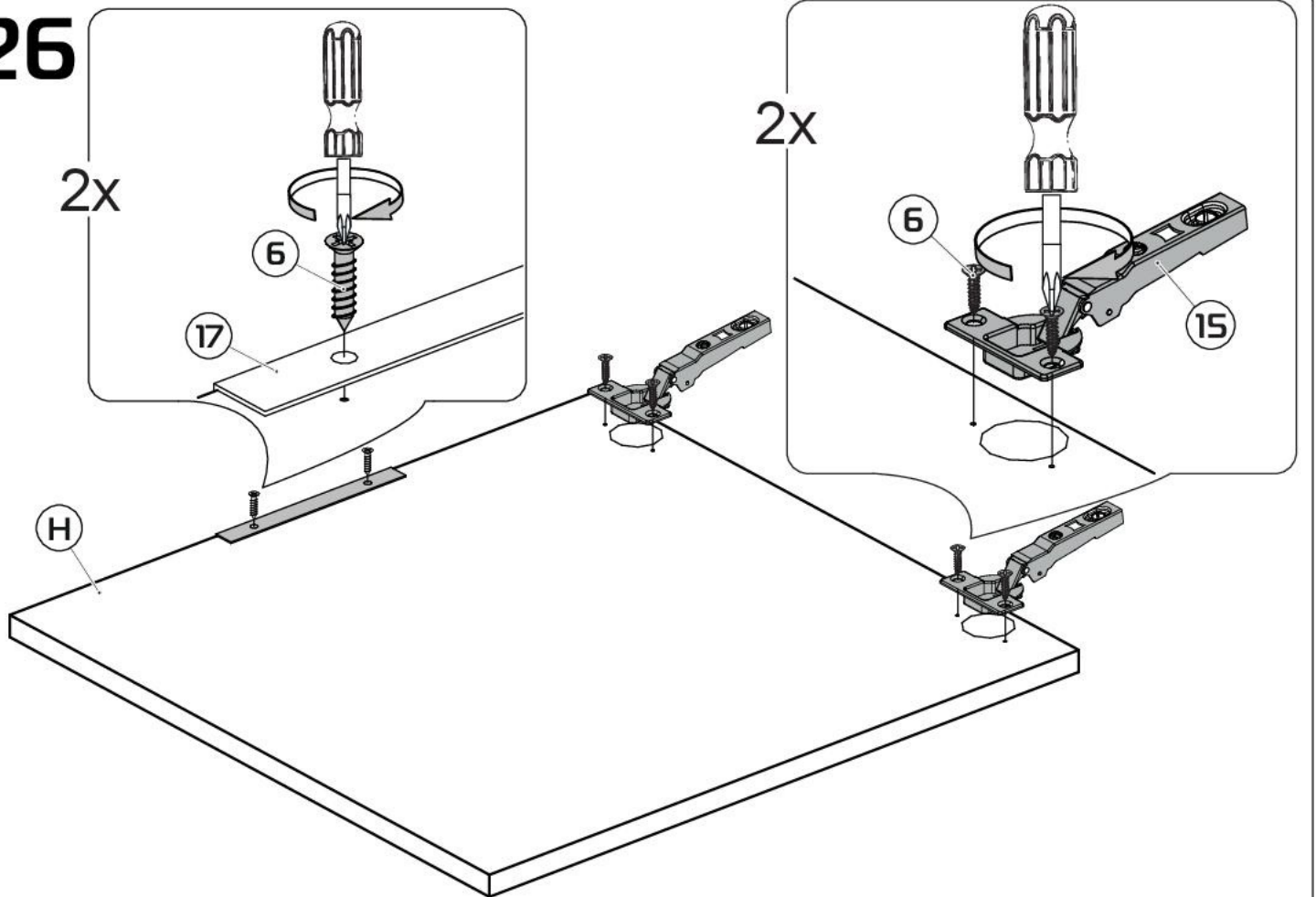
24



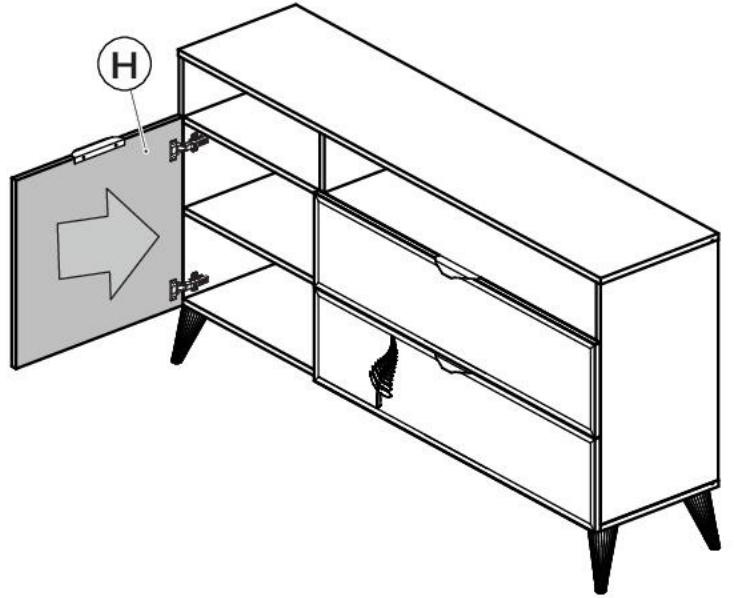
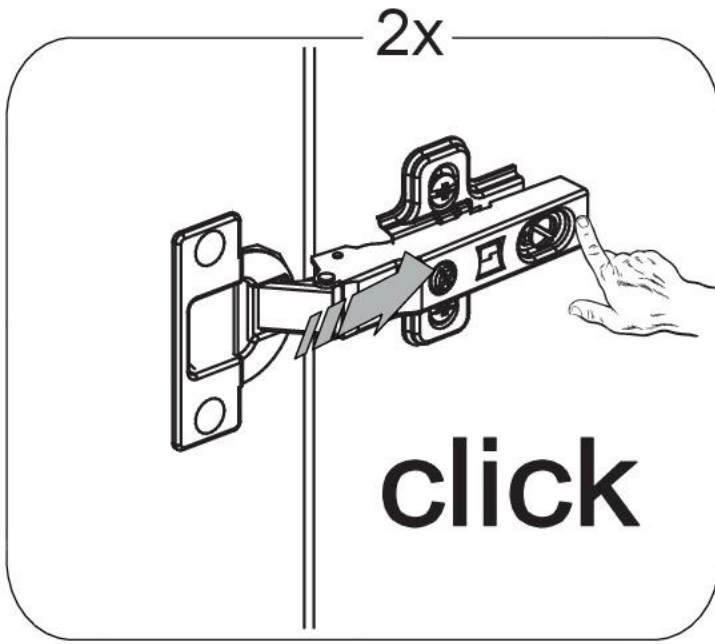
25



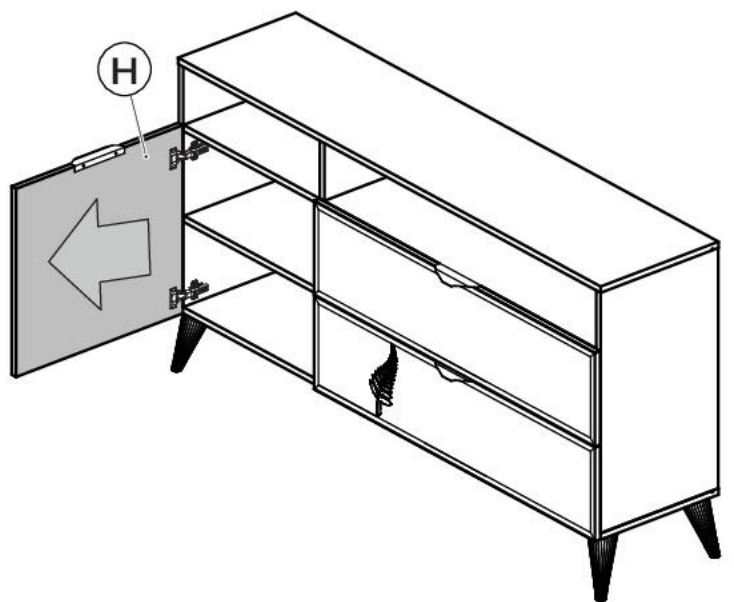
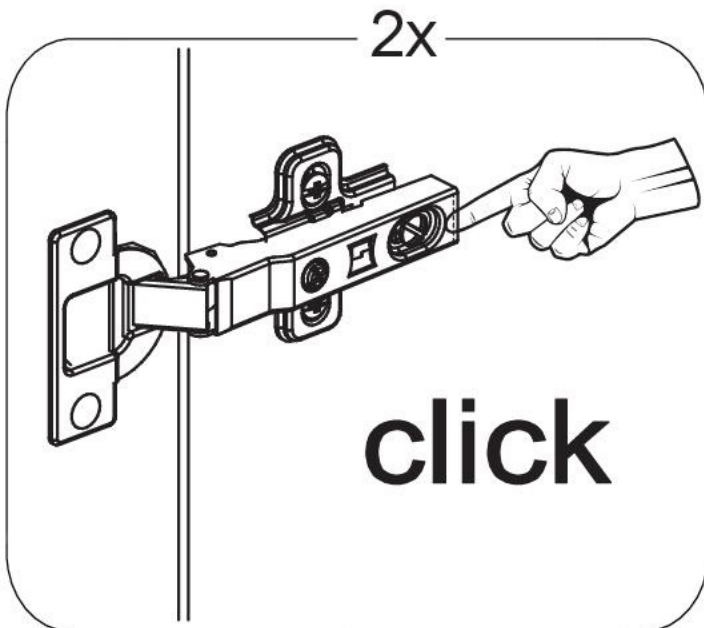
26



27

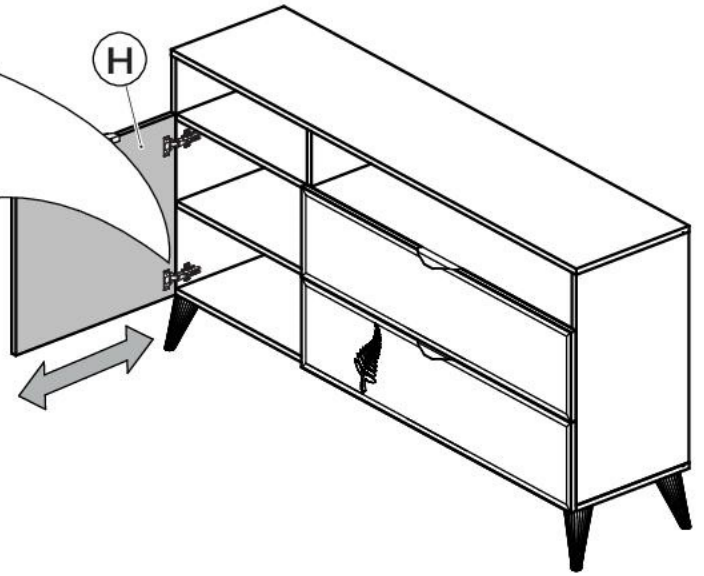
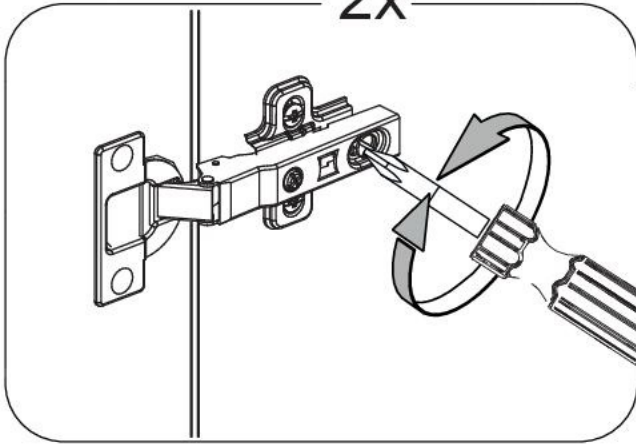


28

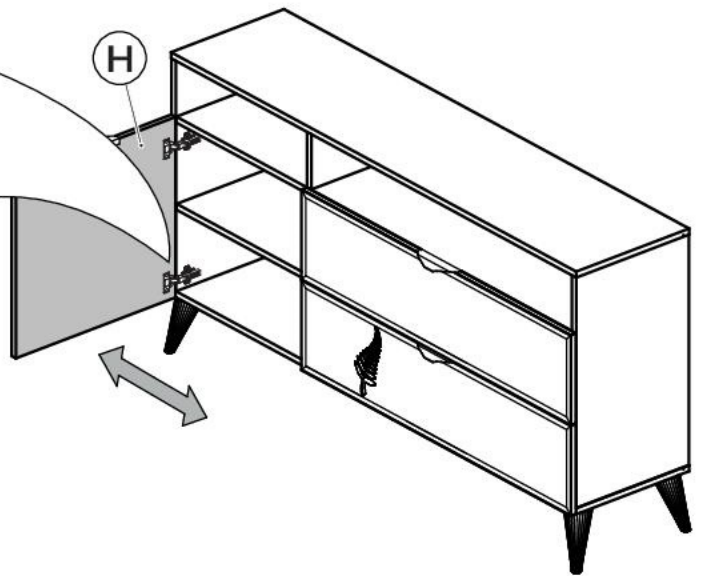
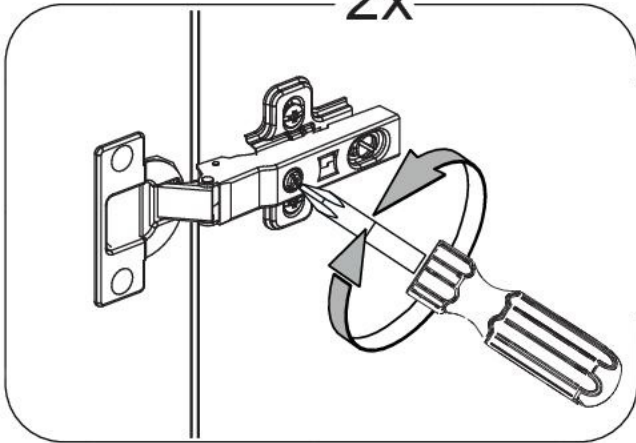


29

2x



2x



2x

