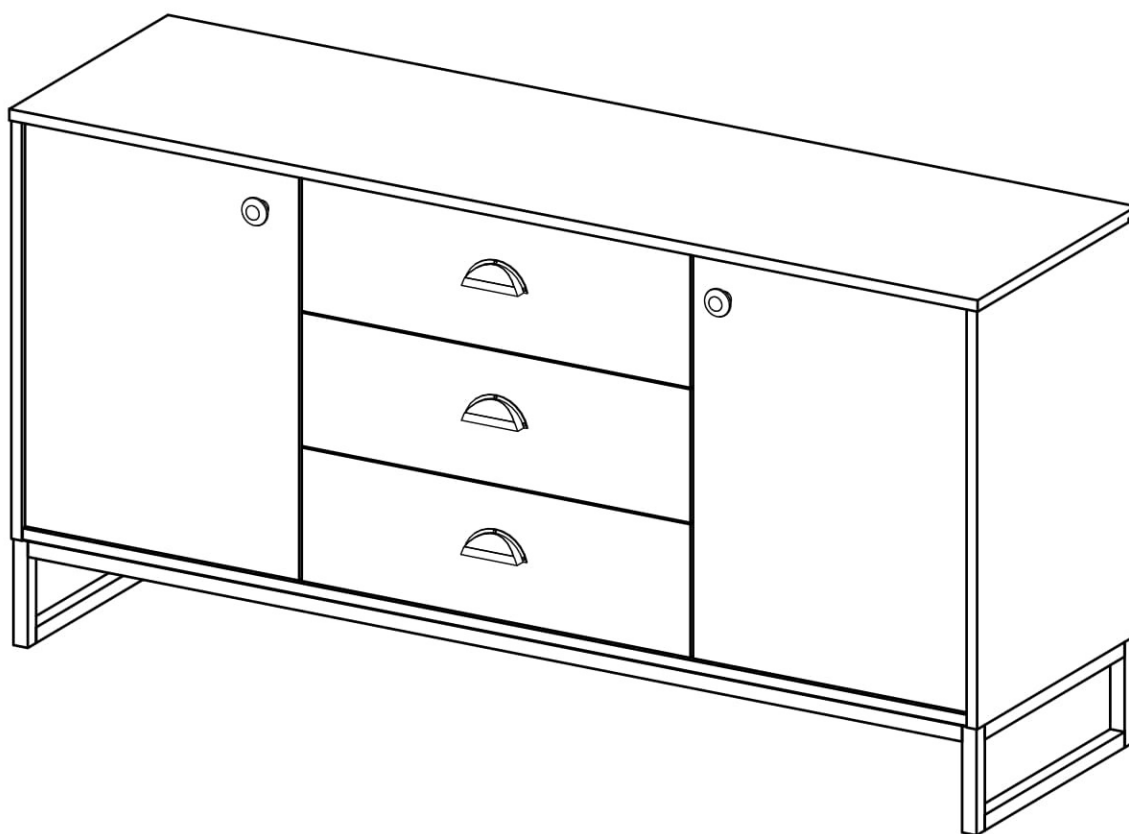
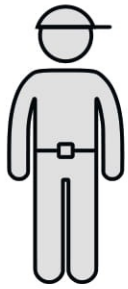
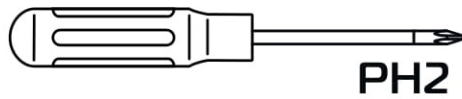
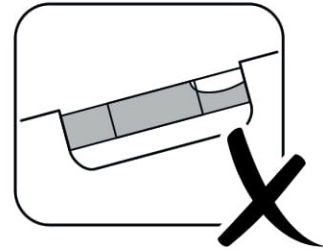
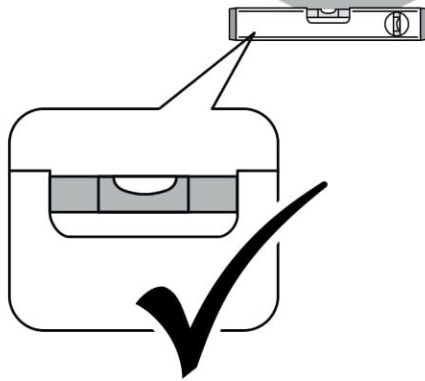
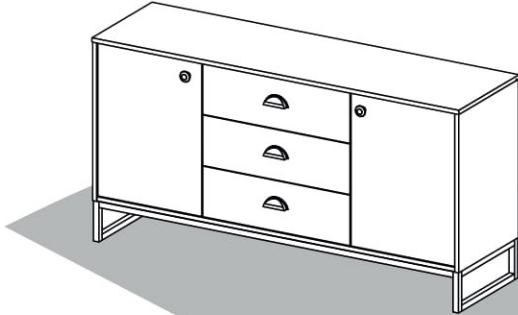
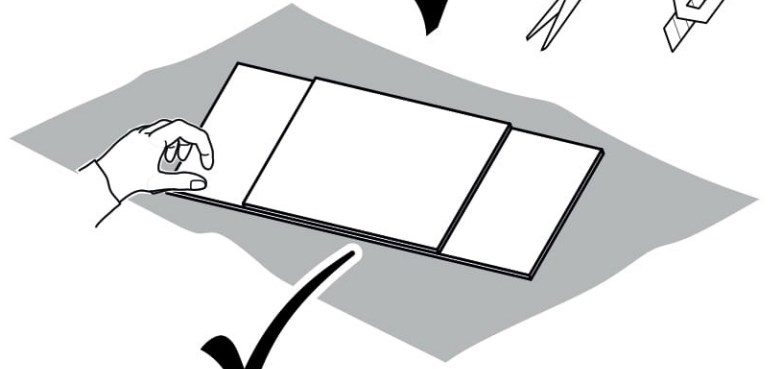
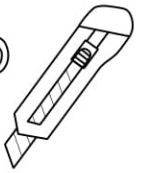


**Široká komoda  
TREVOR**

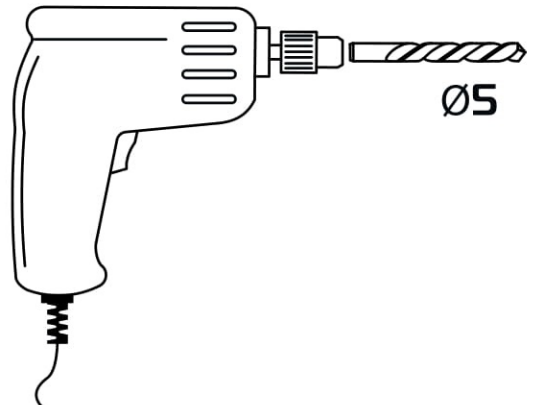
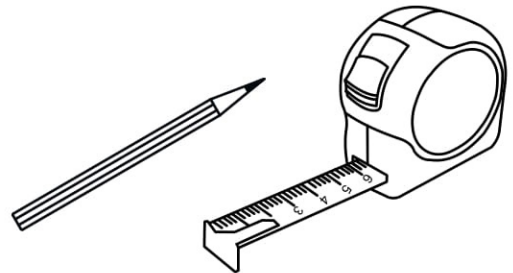
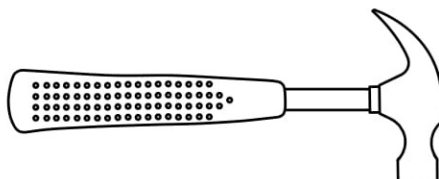
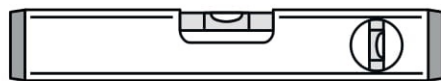
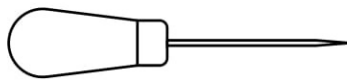




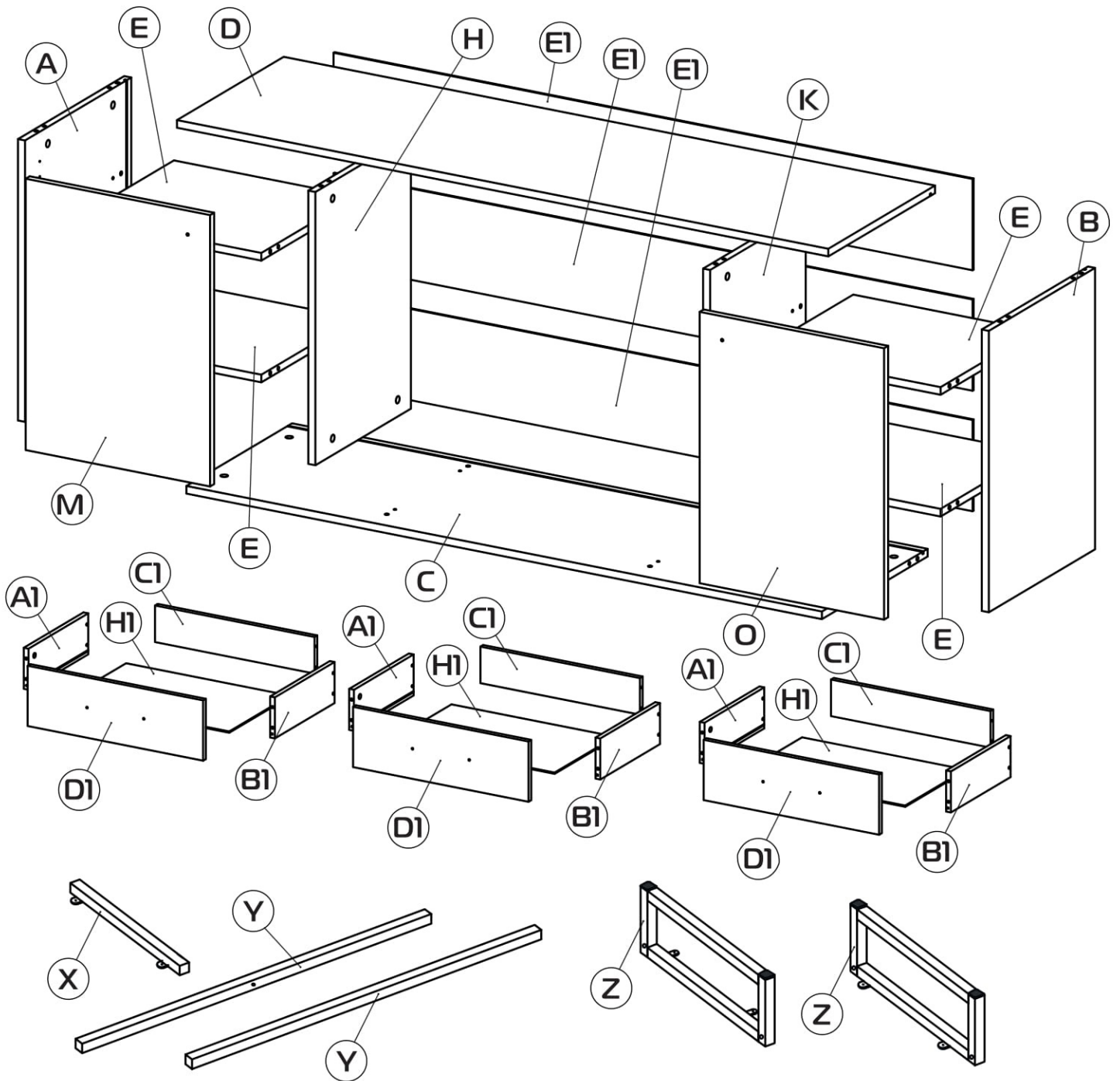
120 min



PH2



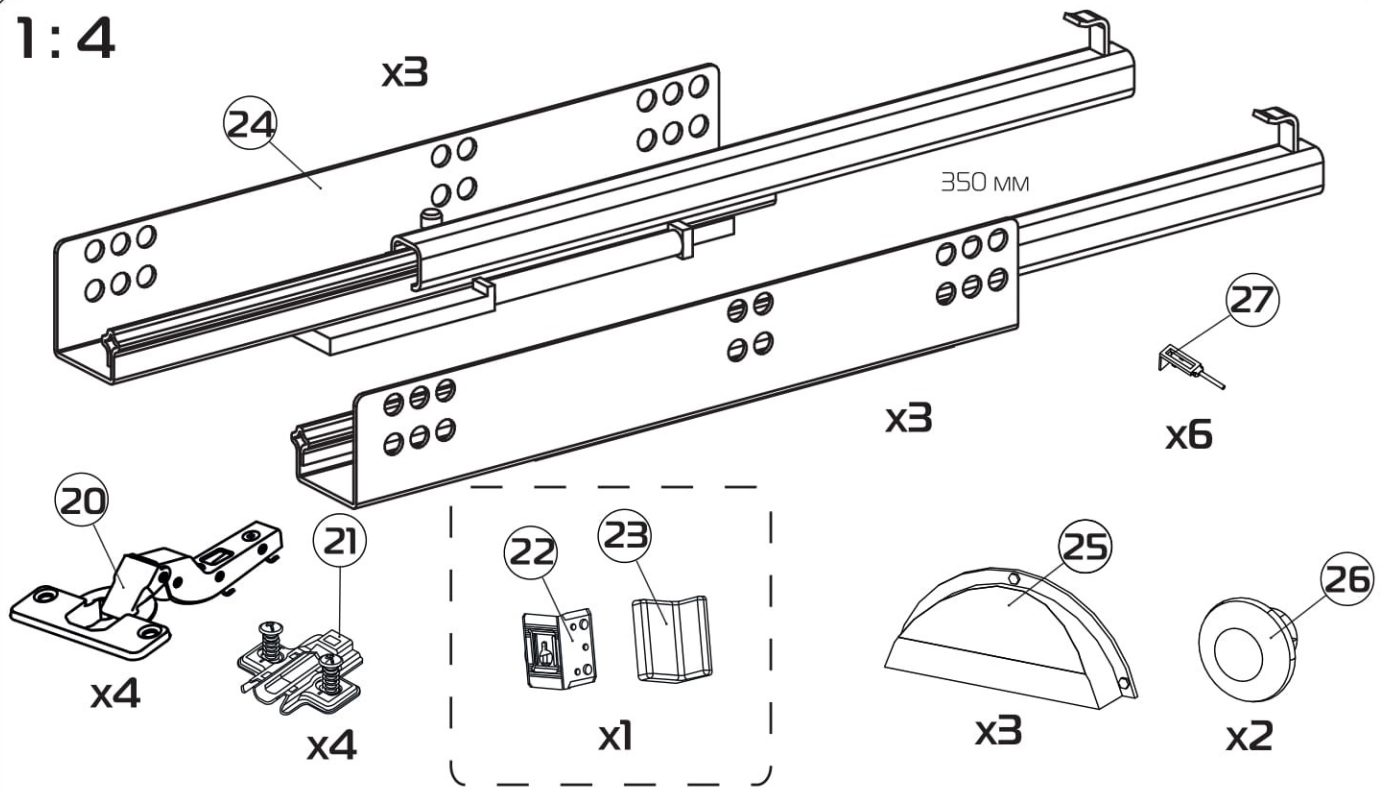
Ø5



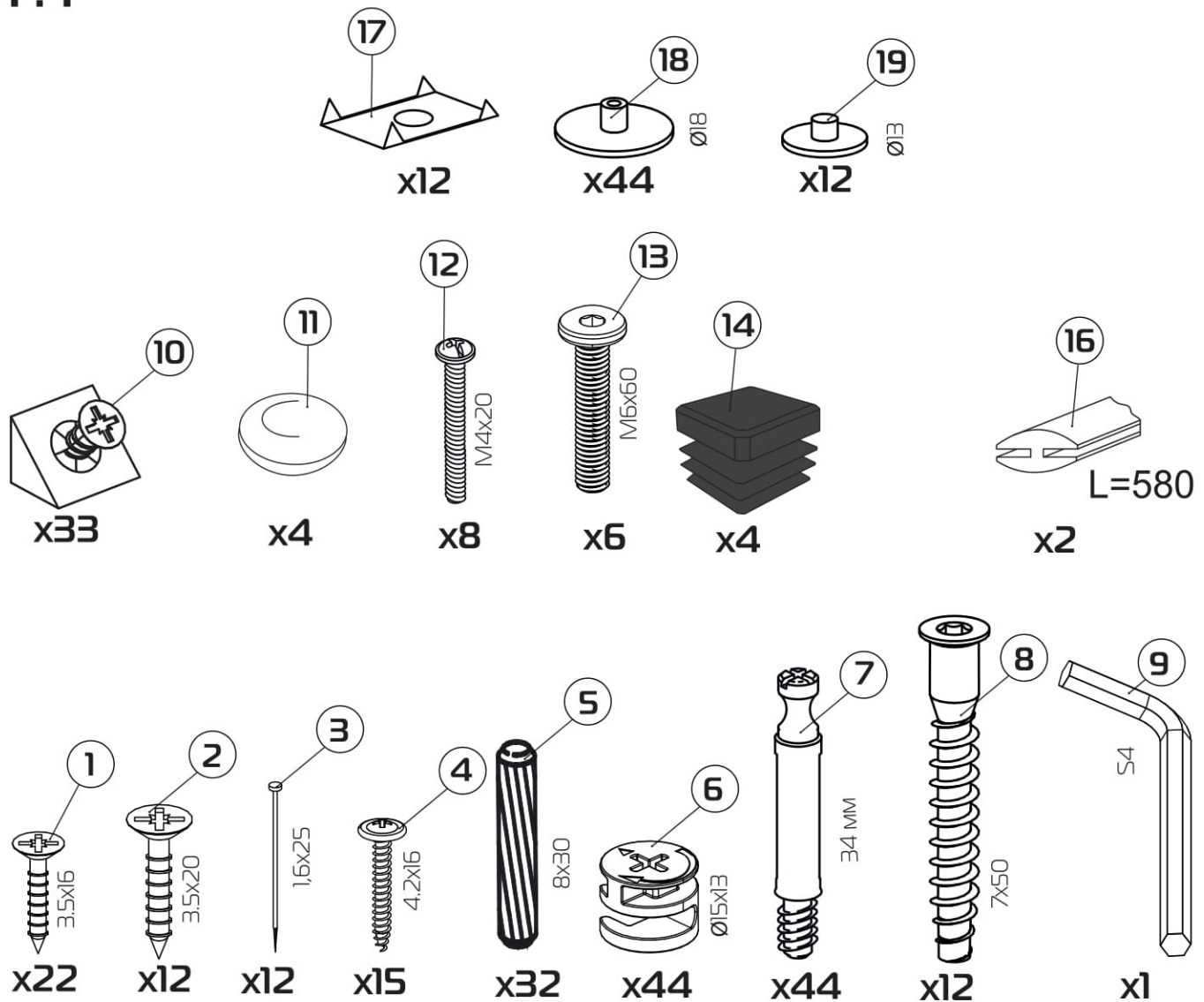
- (A) 689010.001 589x418x16 (x1)
- (B) 689010.002 589x418x16 (x1)
- (C) 689010.003 1444x416x16 (x1)
- (D) 689010.004 1480x420x16 (x1)
- (E) 689020.010 415x375x16 (x4)
- (H) 689010.005 572x376x16 (x1)
- (K) 689010.006 572x376x16 (x1)
- (M) 689010.007 568x419x16 (x1)
- (O) 689010.008 568x419x16 (x1)

- (A1) 689020.012 350x128x16 (x3)
- (B1) 689020.013 350x128x16 (x3)
- (C1) 689010.009 540x114x16 (x3)
- (D1) 689010.010 594x188x16 (x3)
- (E1) 689010.011 1452x192x4 (x3)
- (H1) 689010.012 554x355x4 (x3)
- (X) 681-03.00 374 (x1)
- (Y) 681-02.00 1432 (x2)
- (Z) 681-01.00 414x150 (x2)

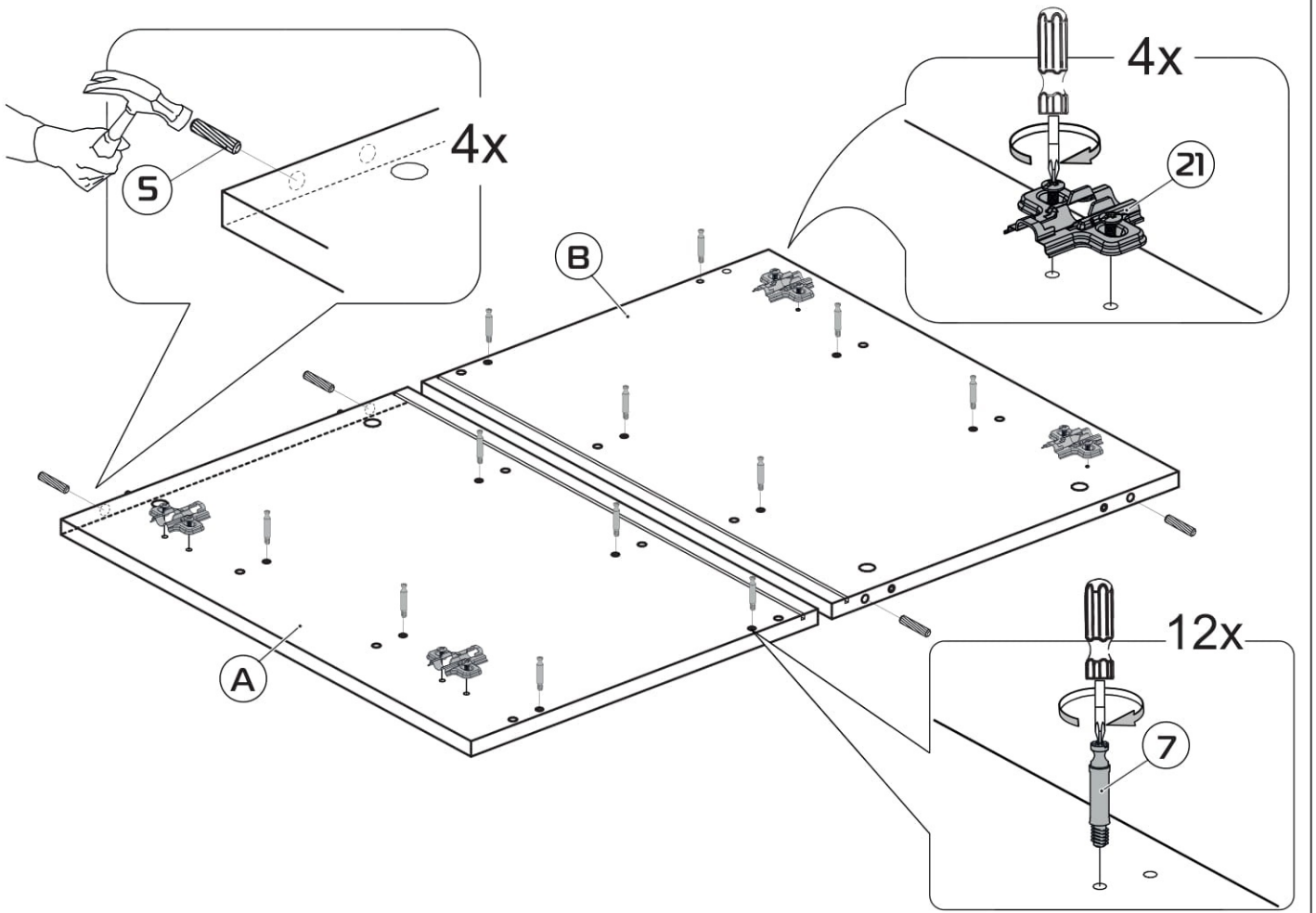
1:4



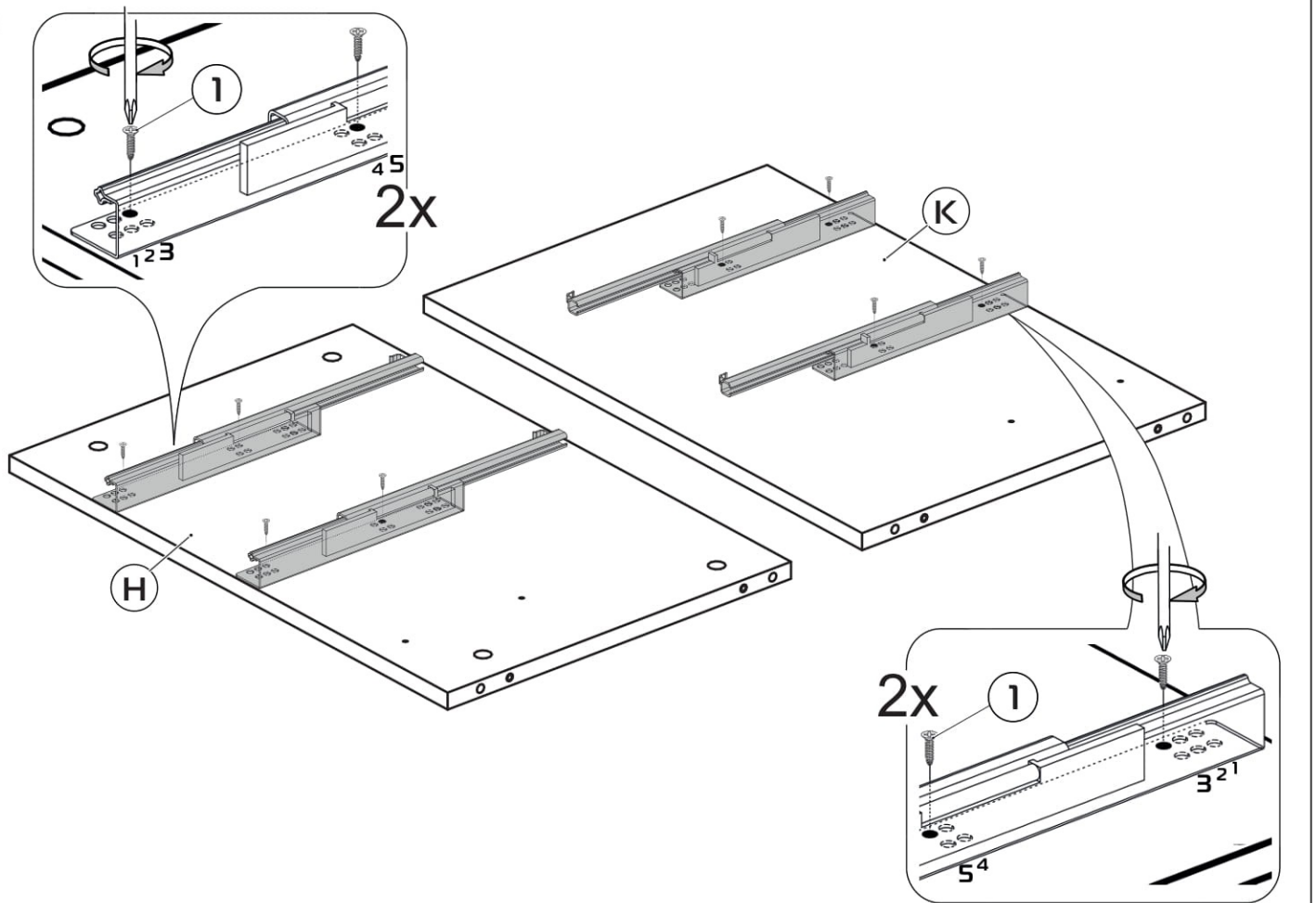
1:1



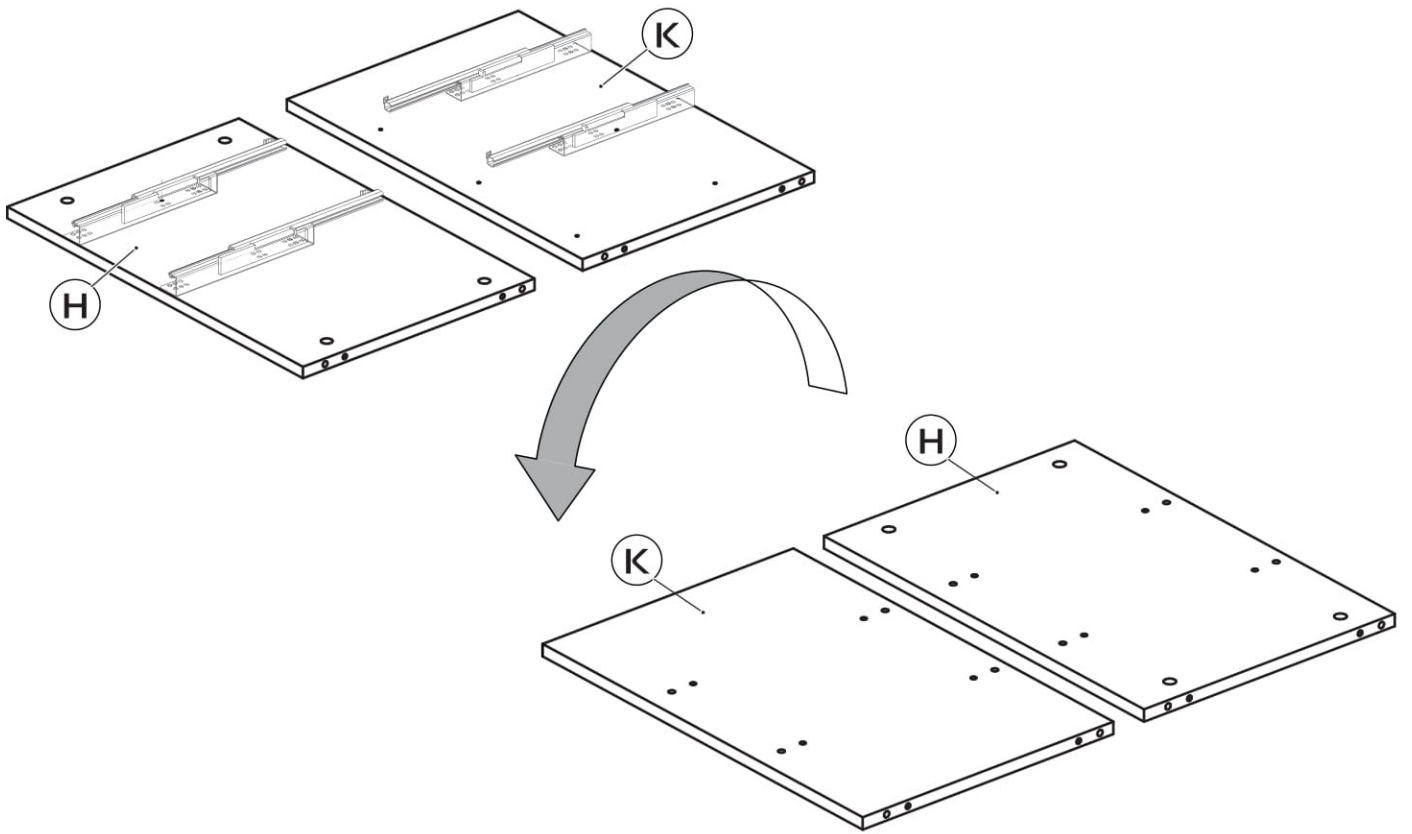
1



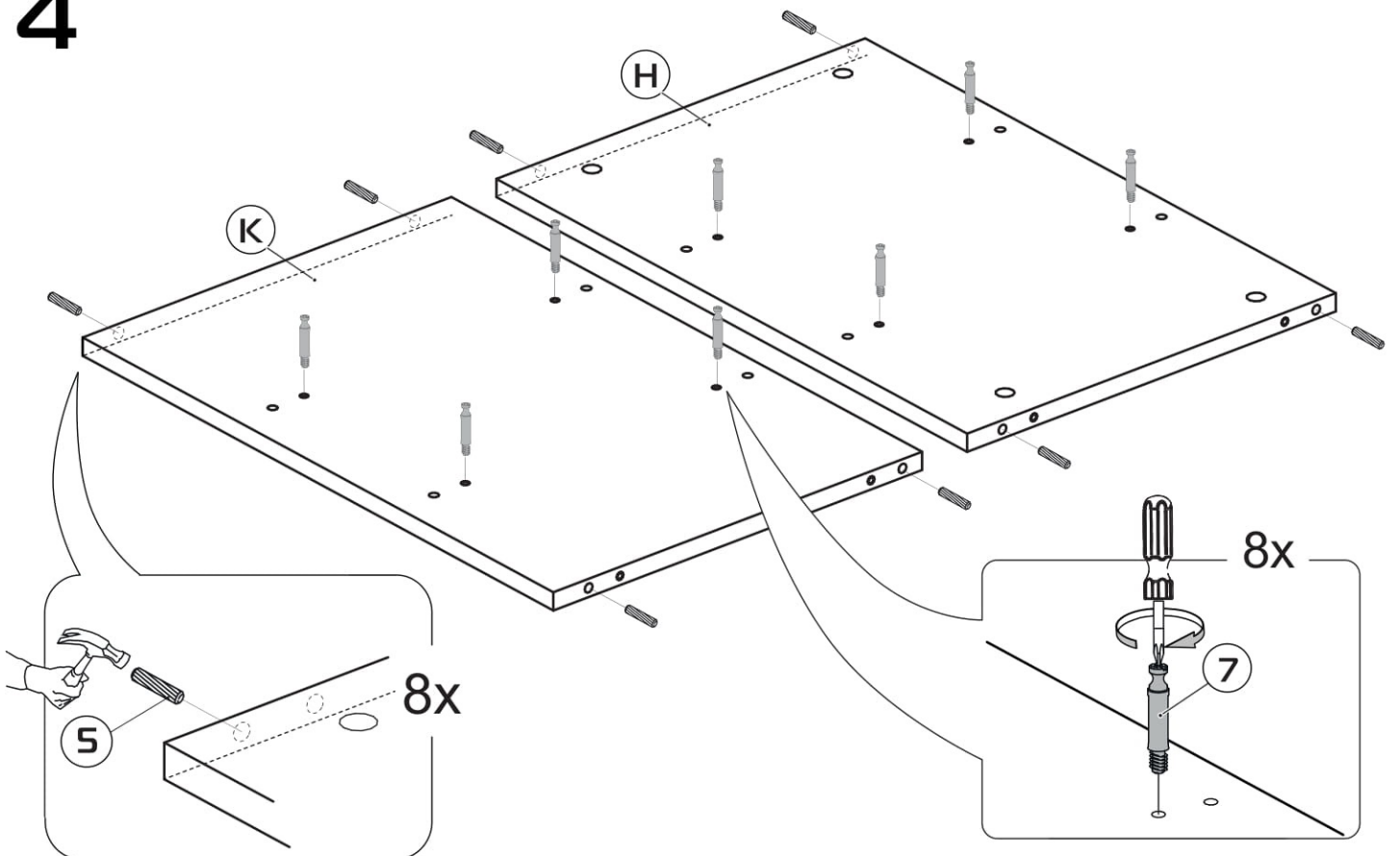
2



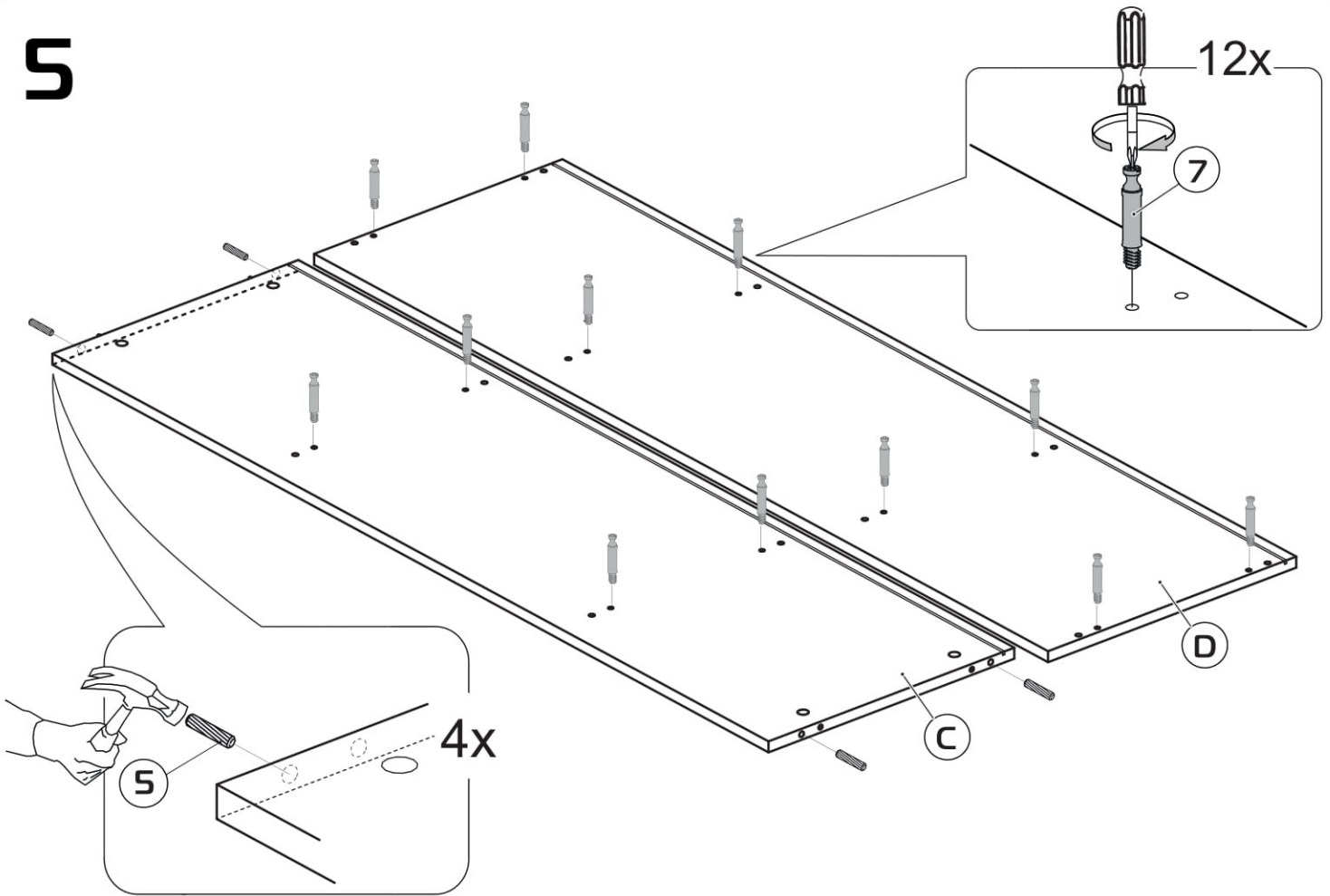
# 3



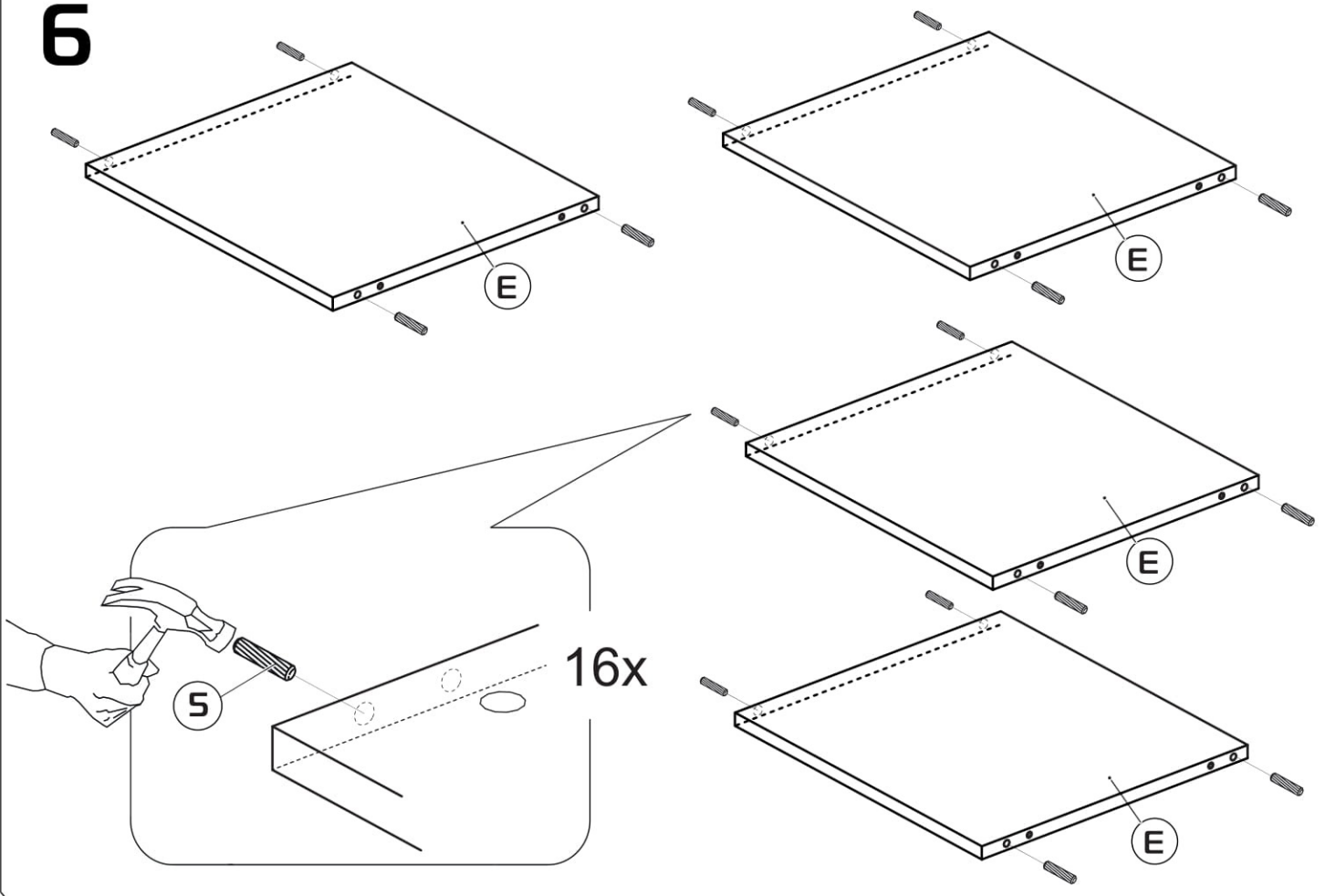
# 4



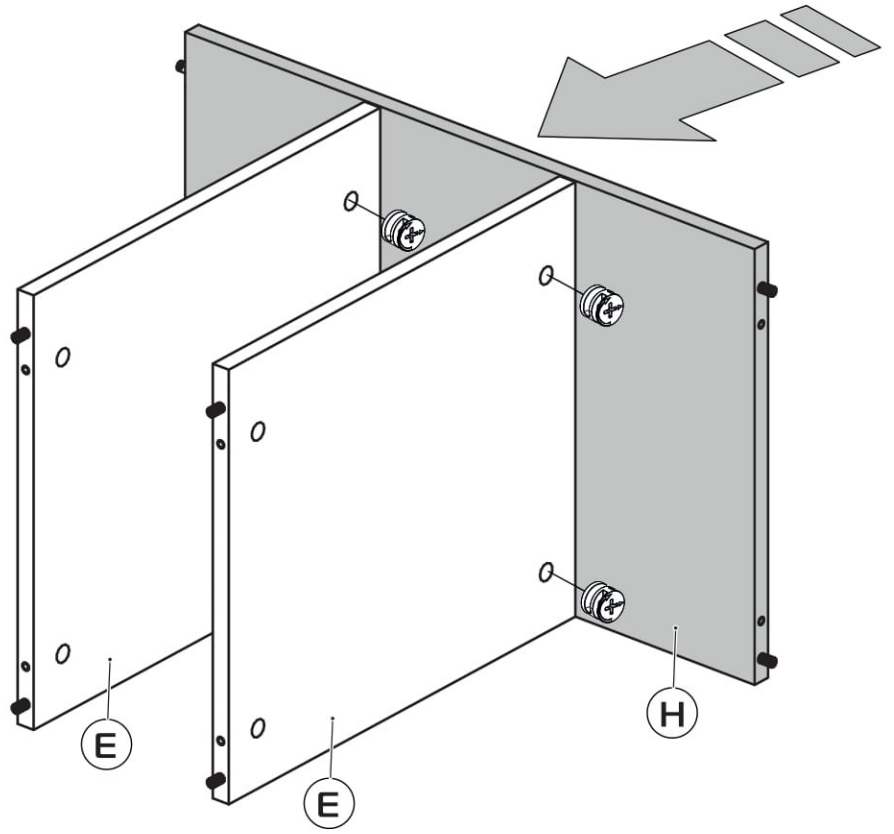
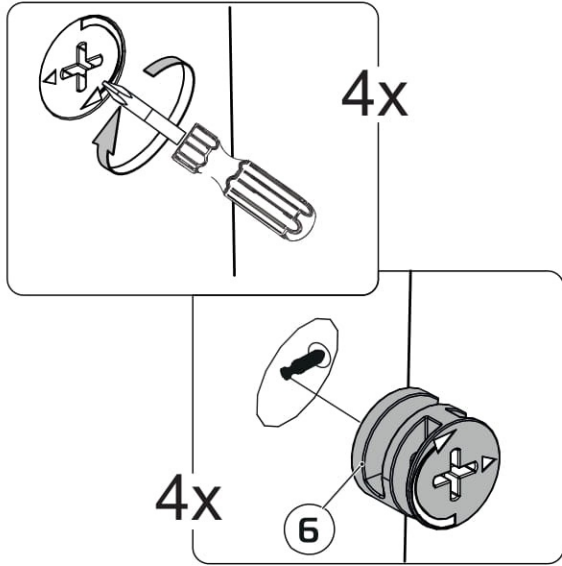
# 5



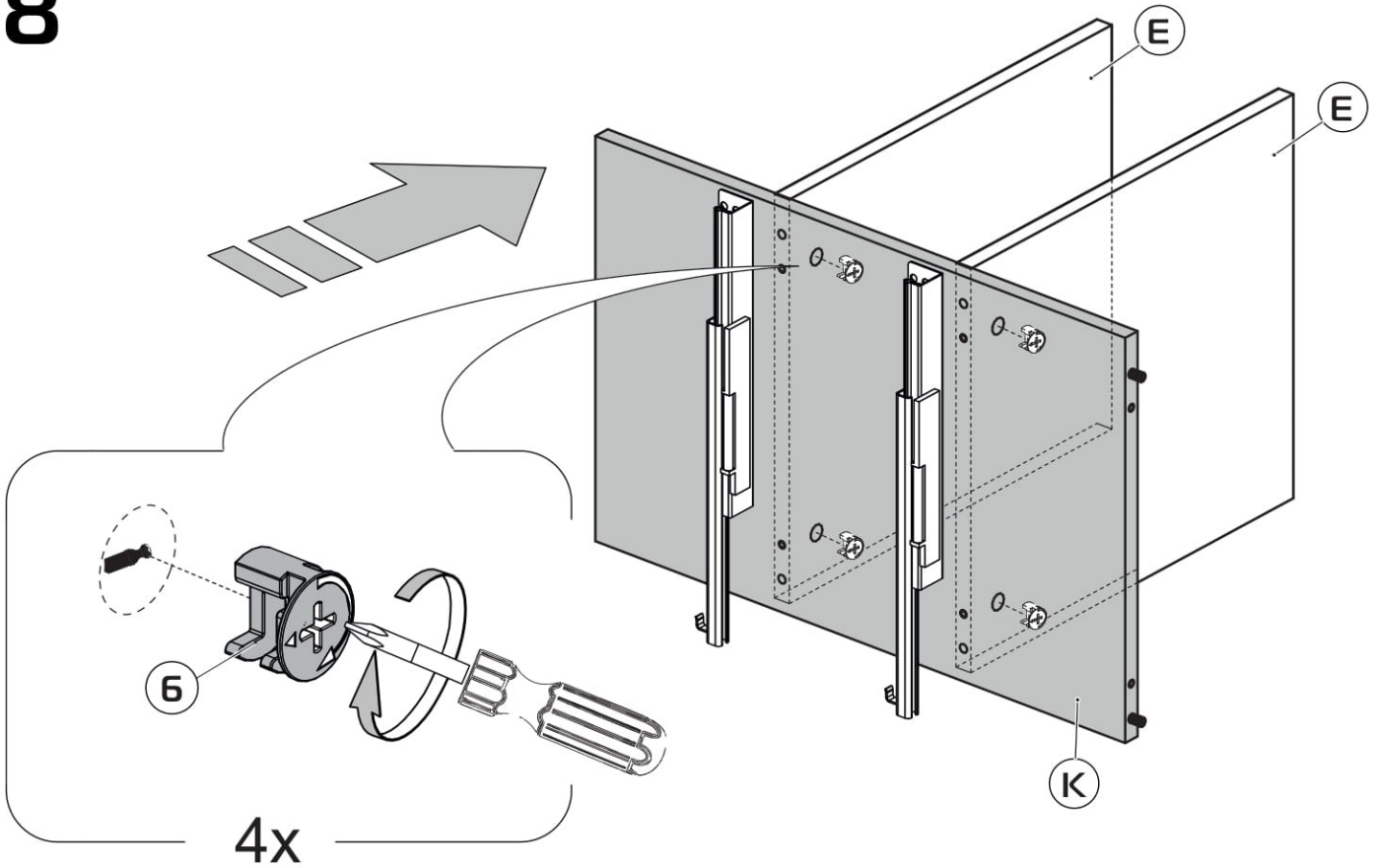
# 6



7

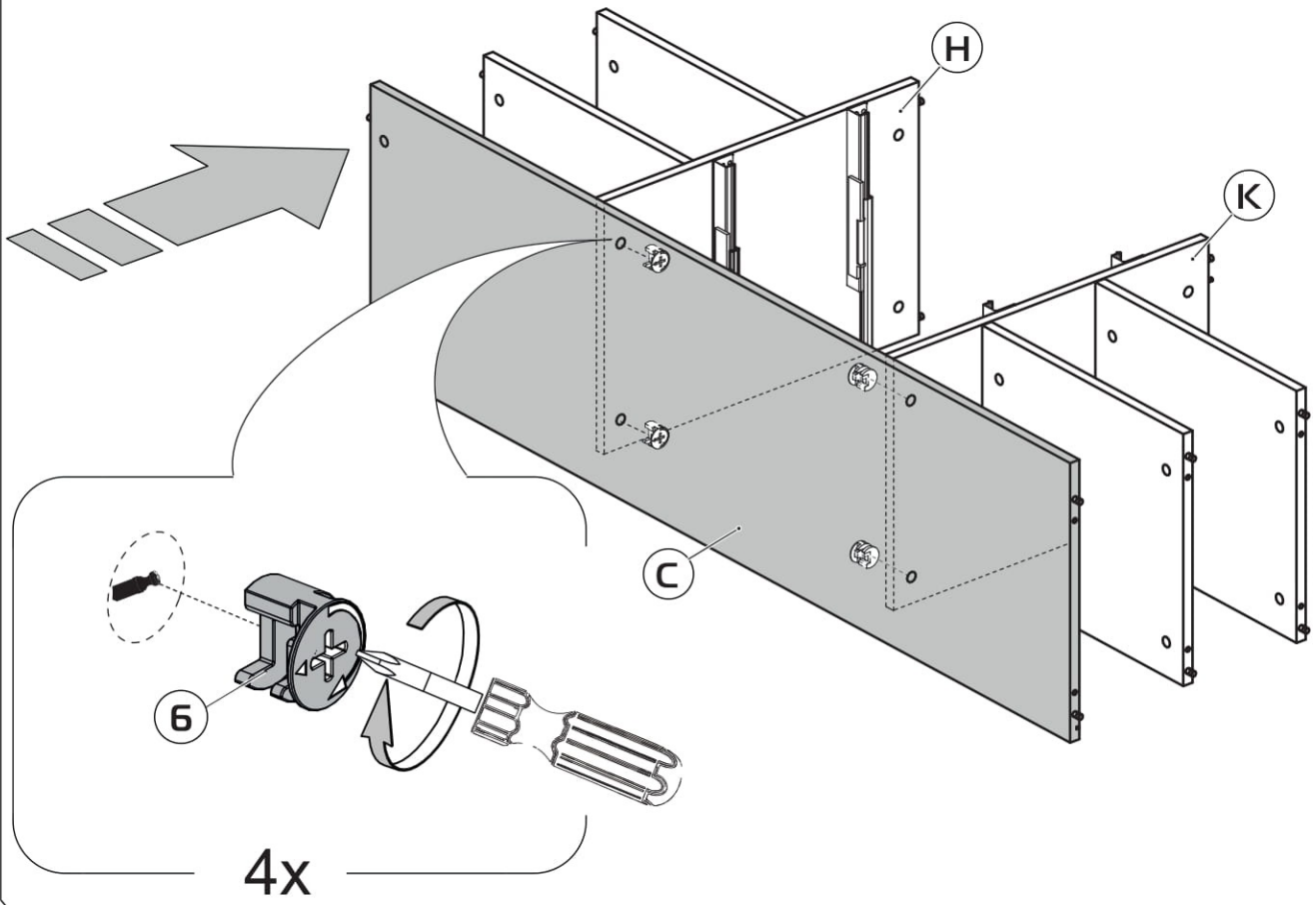


8

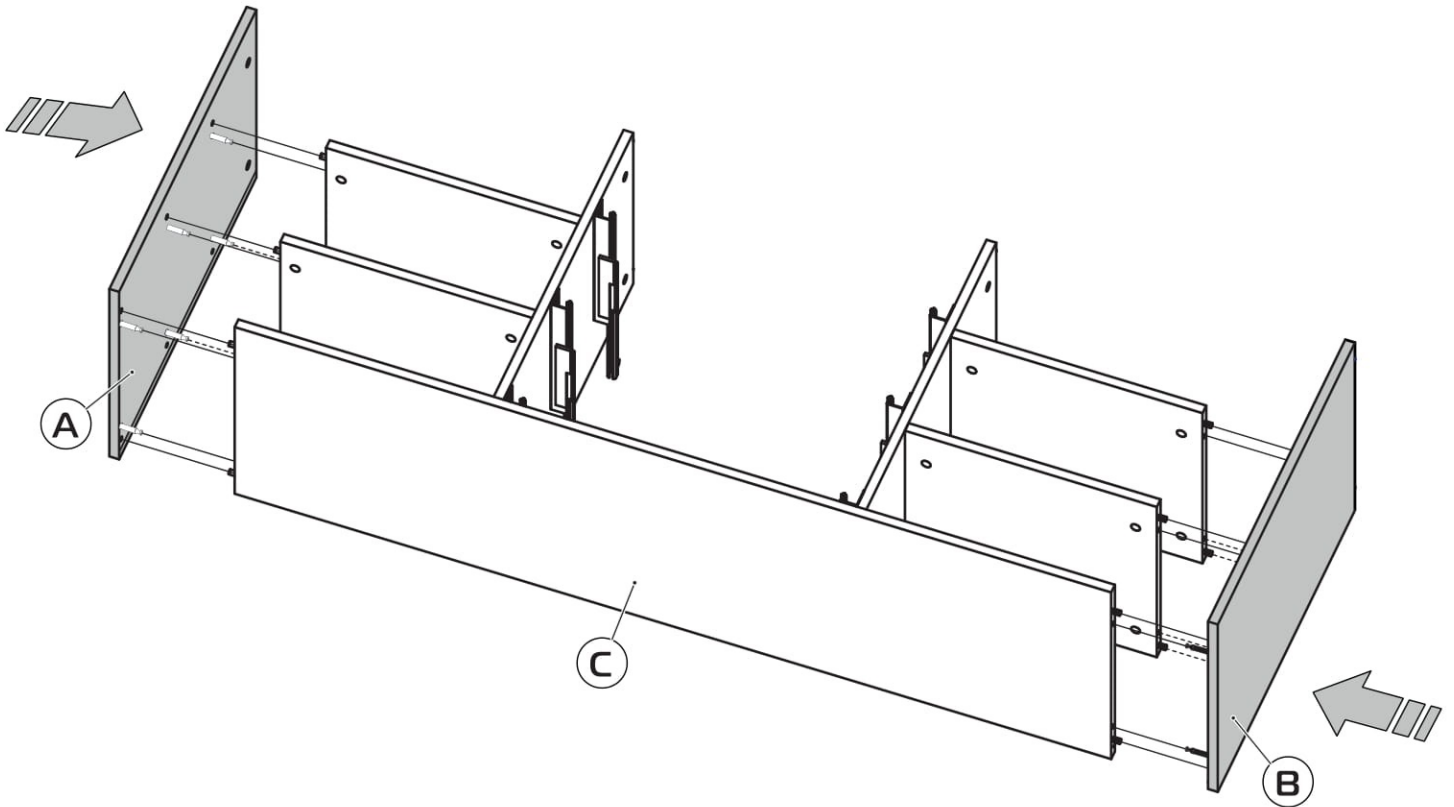




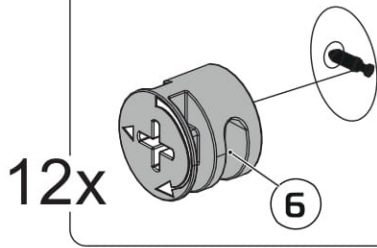
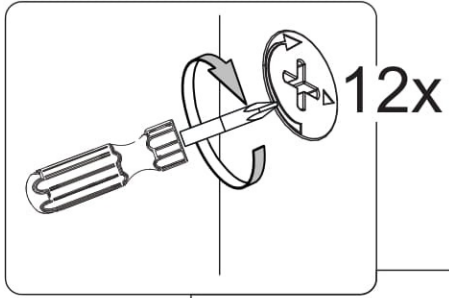
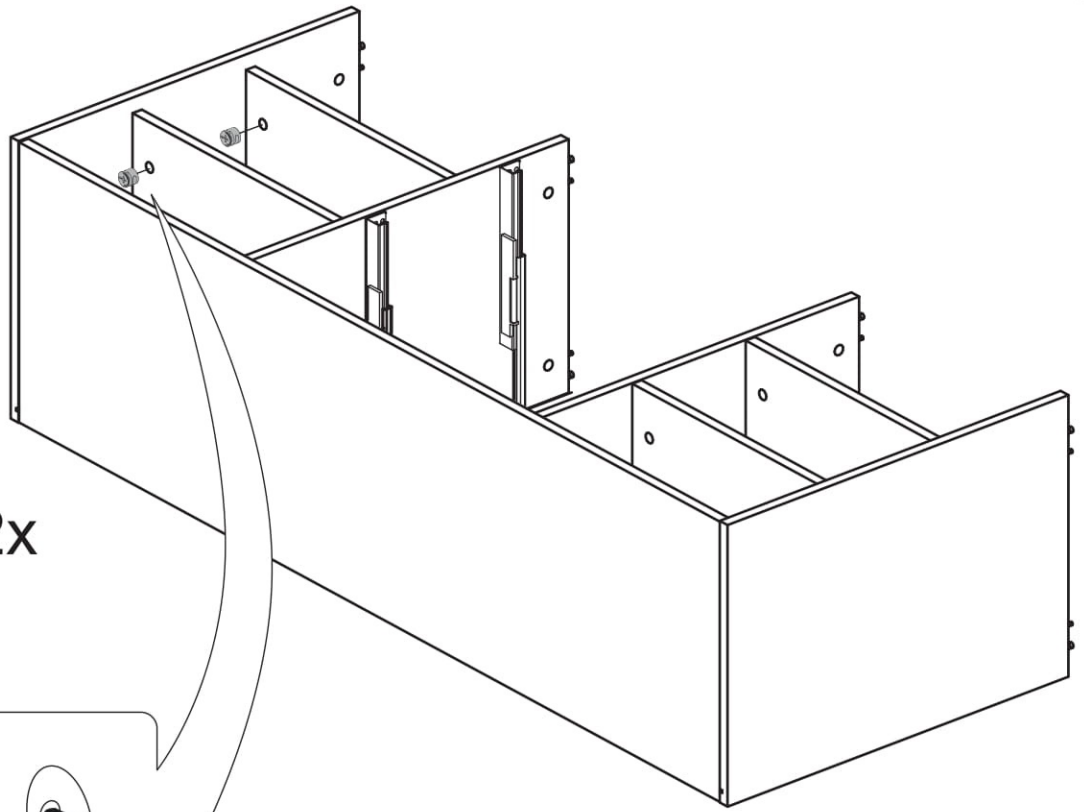
9



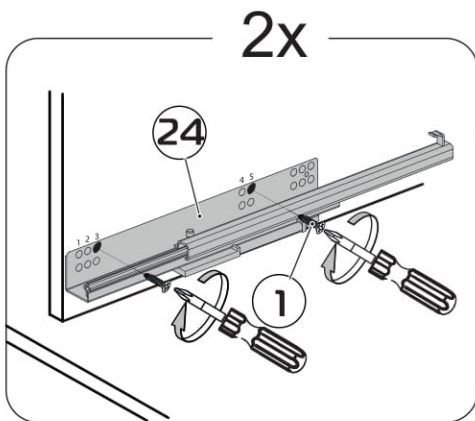
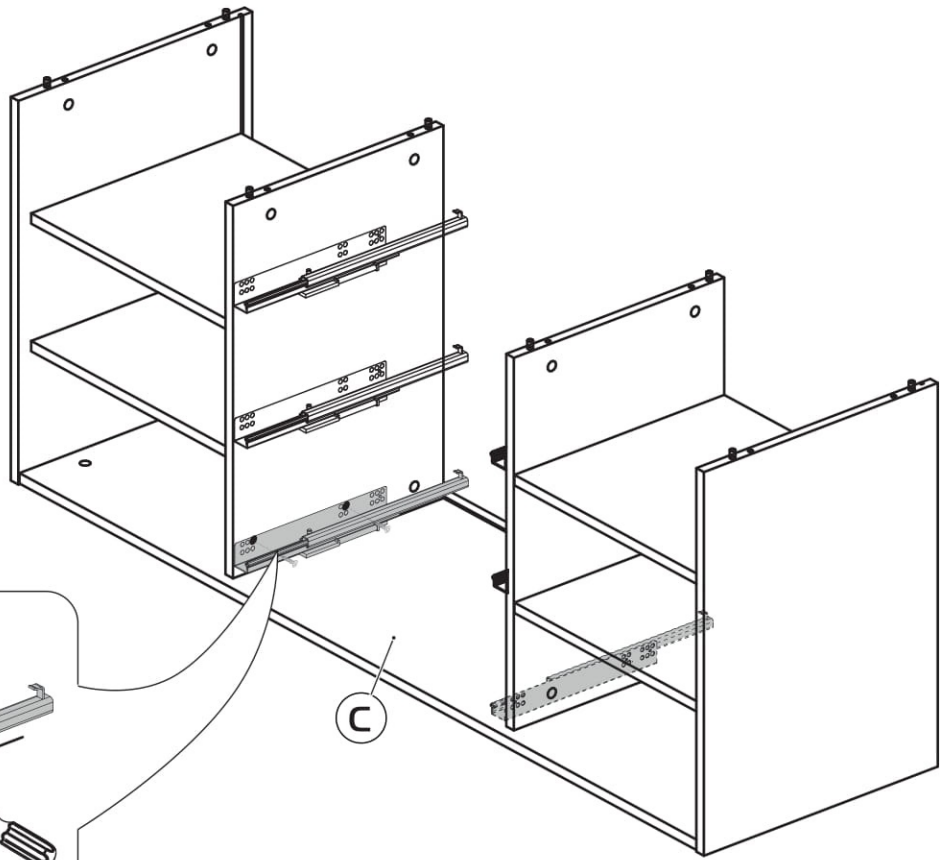
10



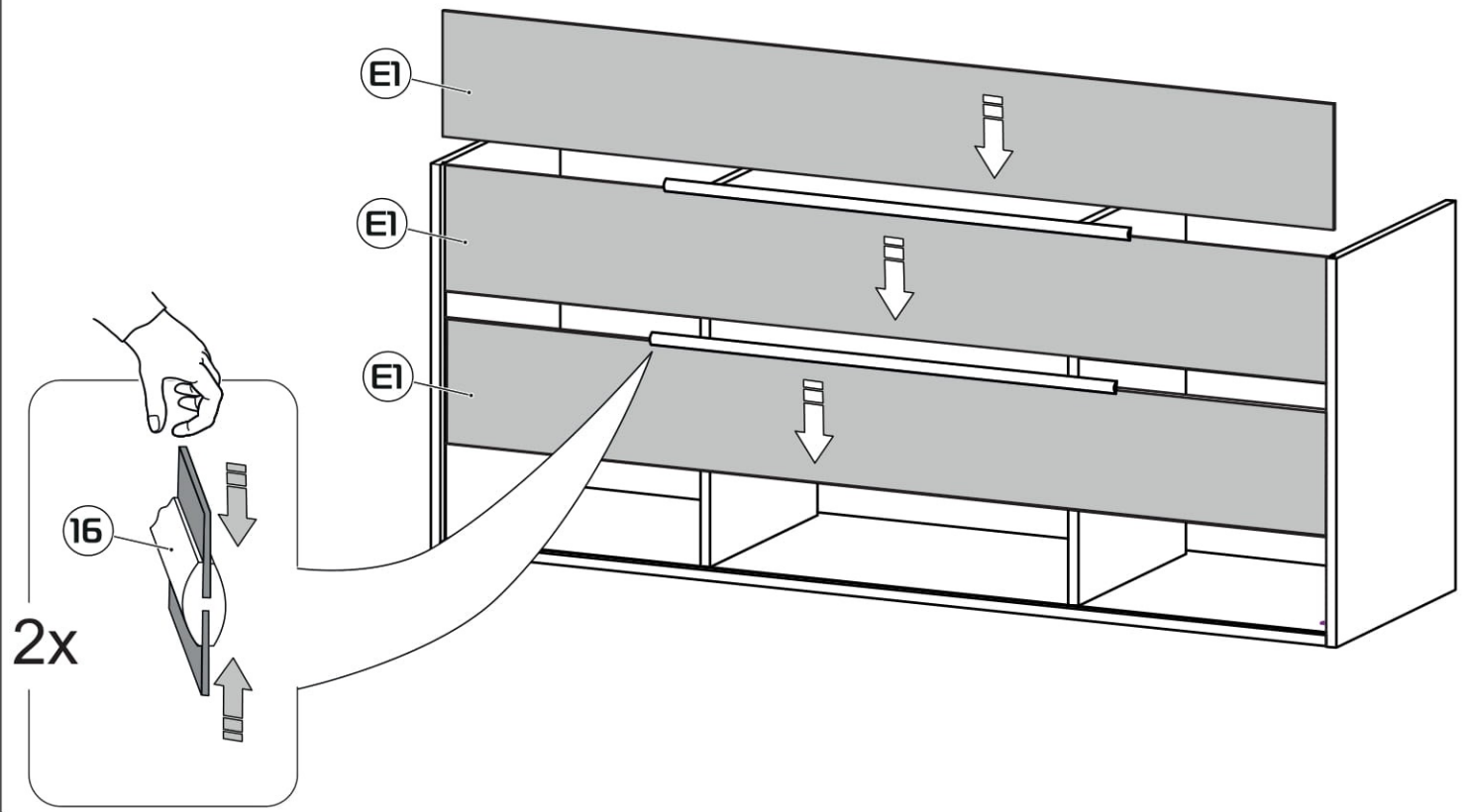
# 11



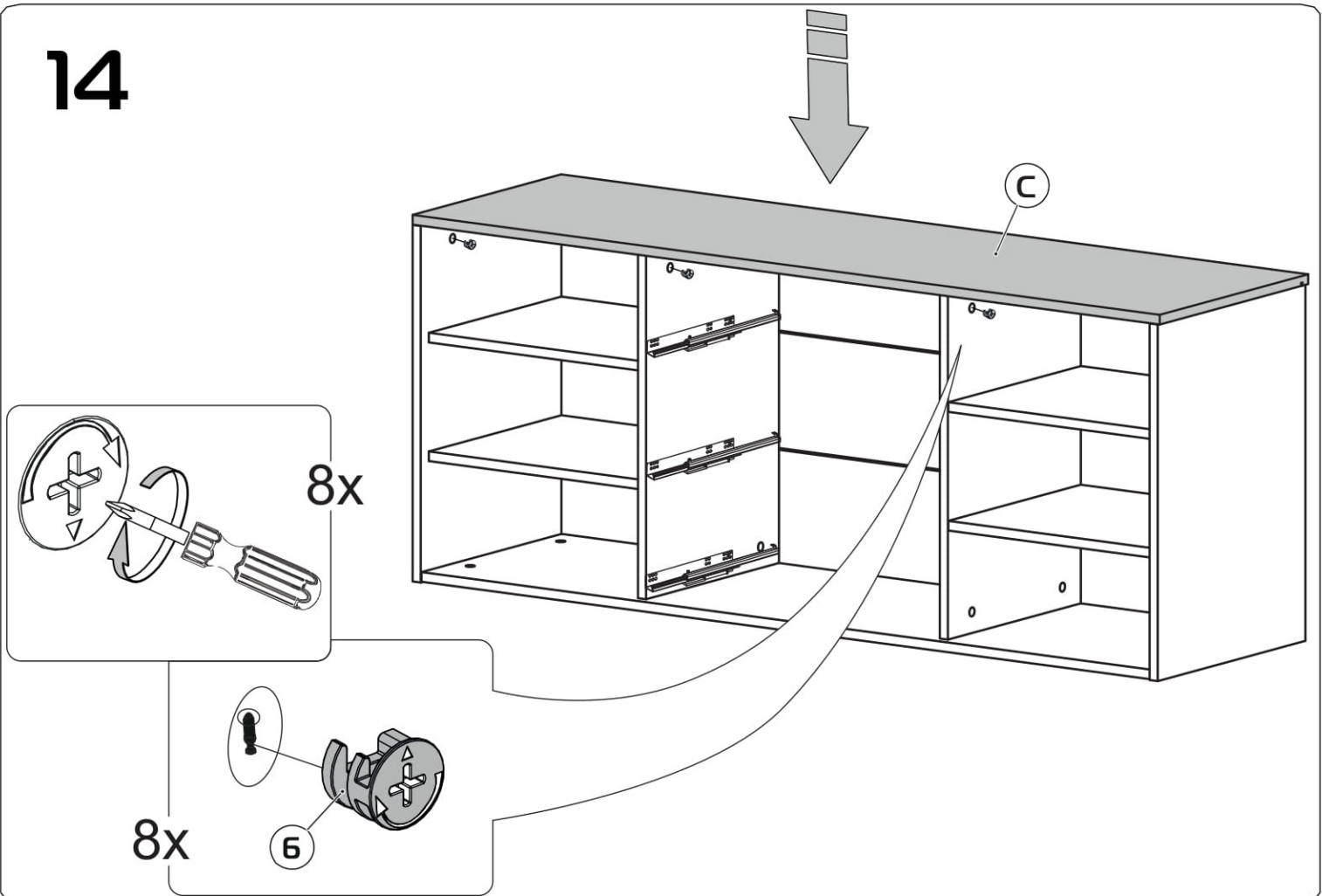
# 12



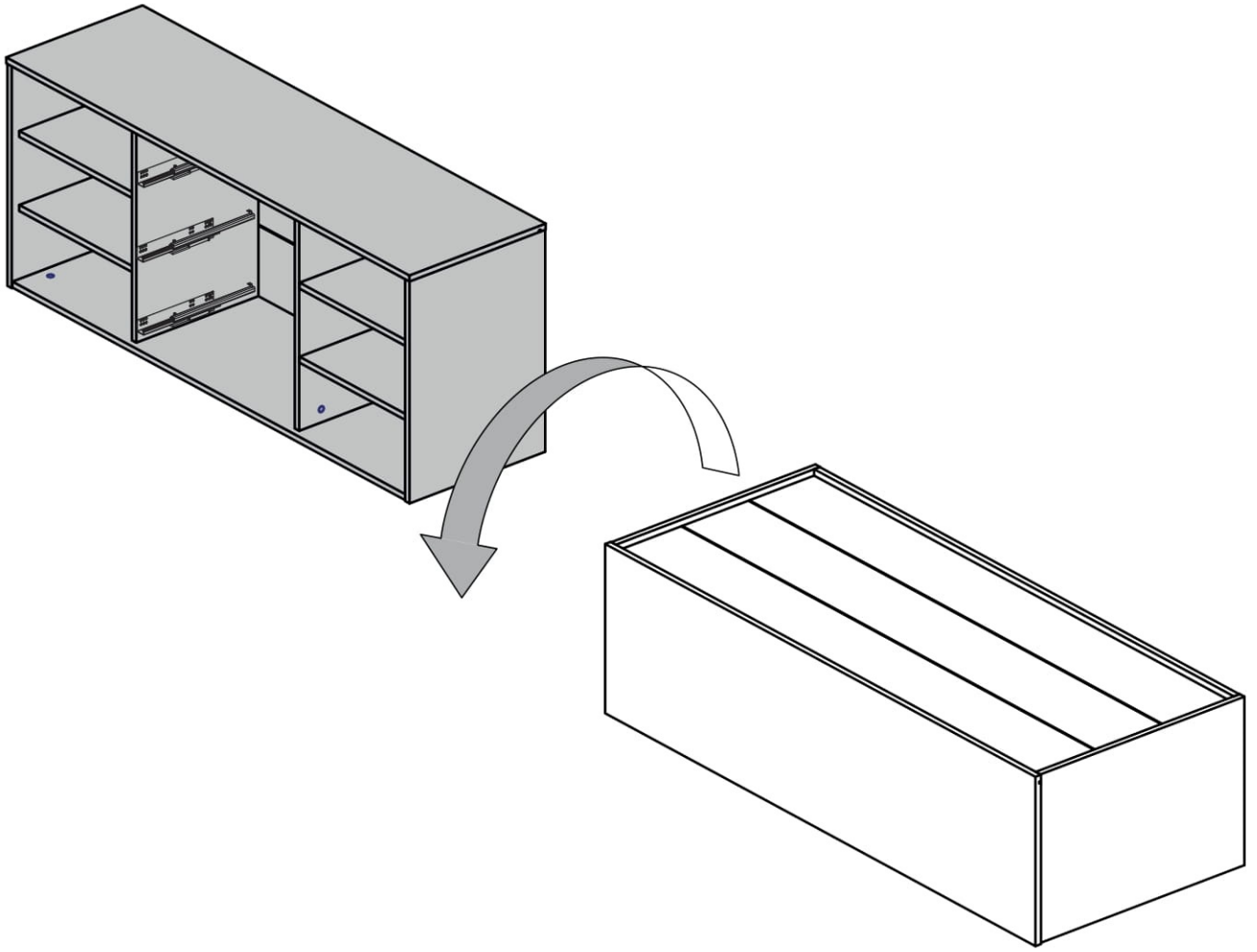
# 13



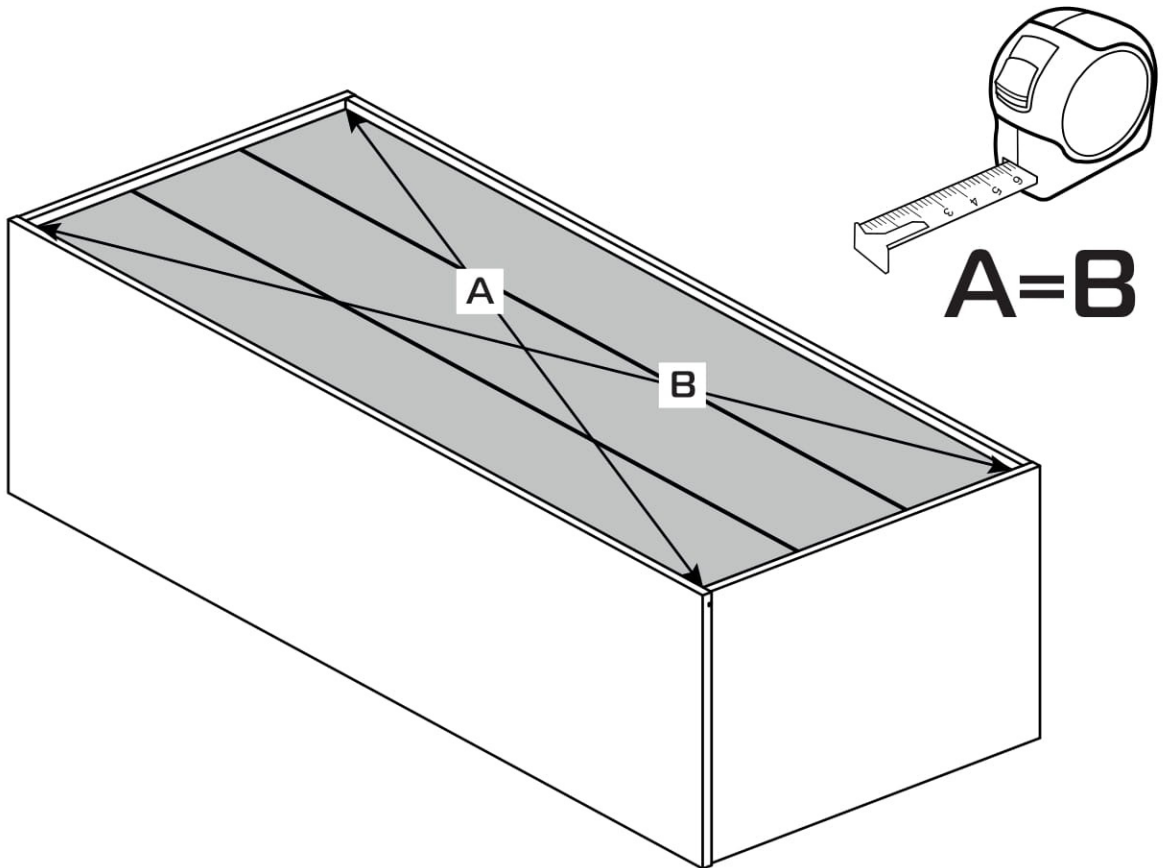
# 14



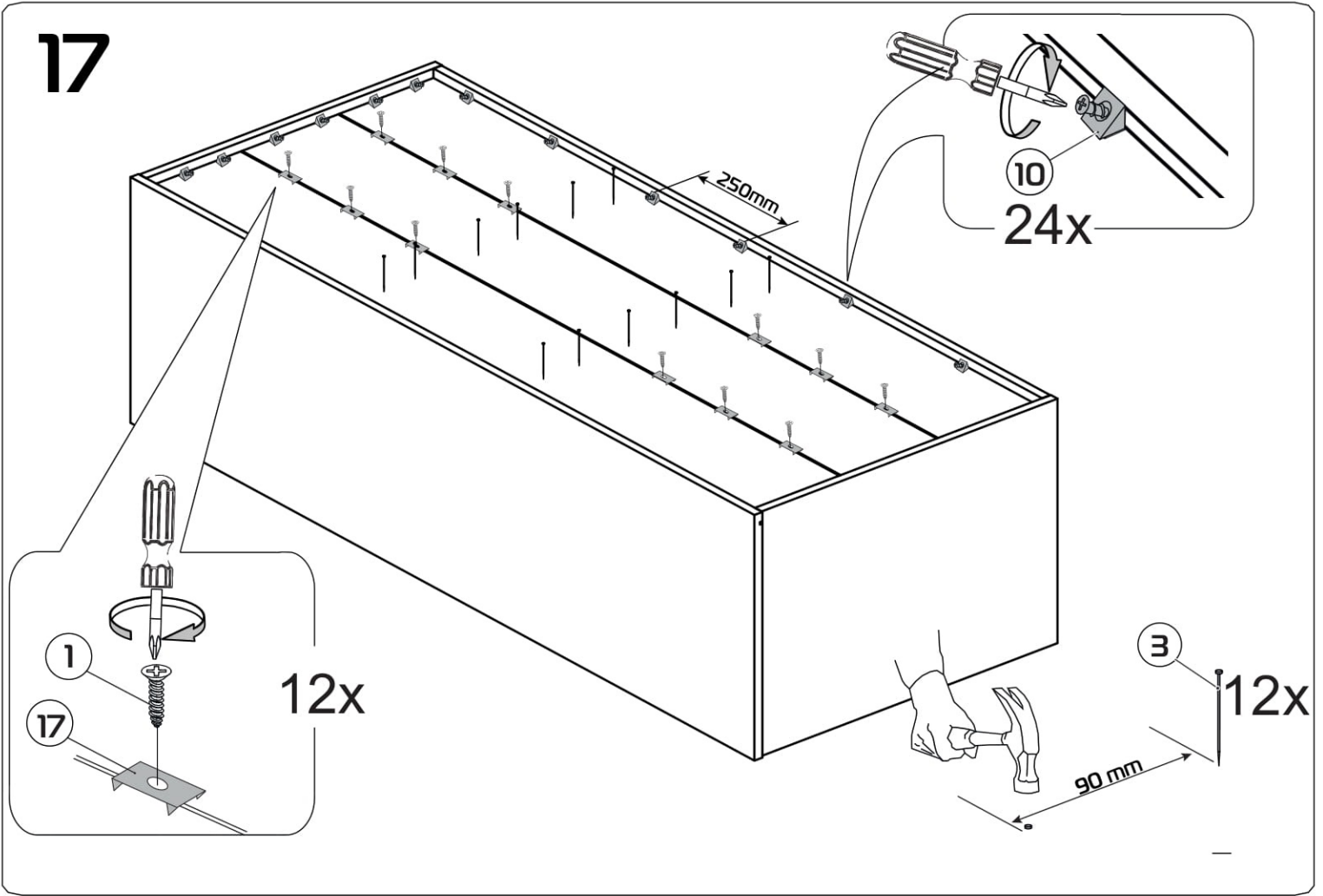
15



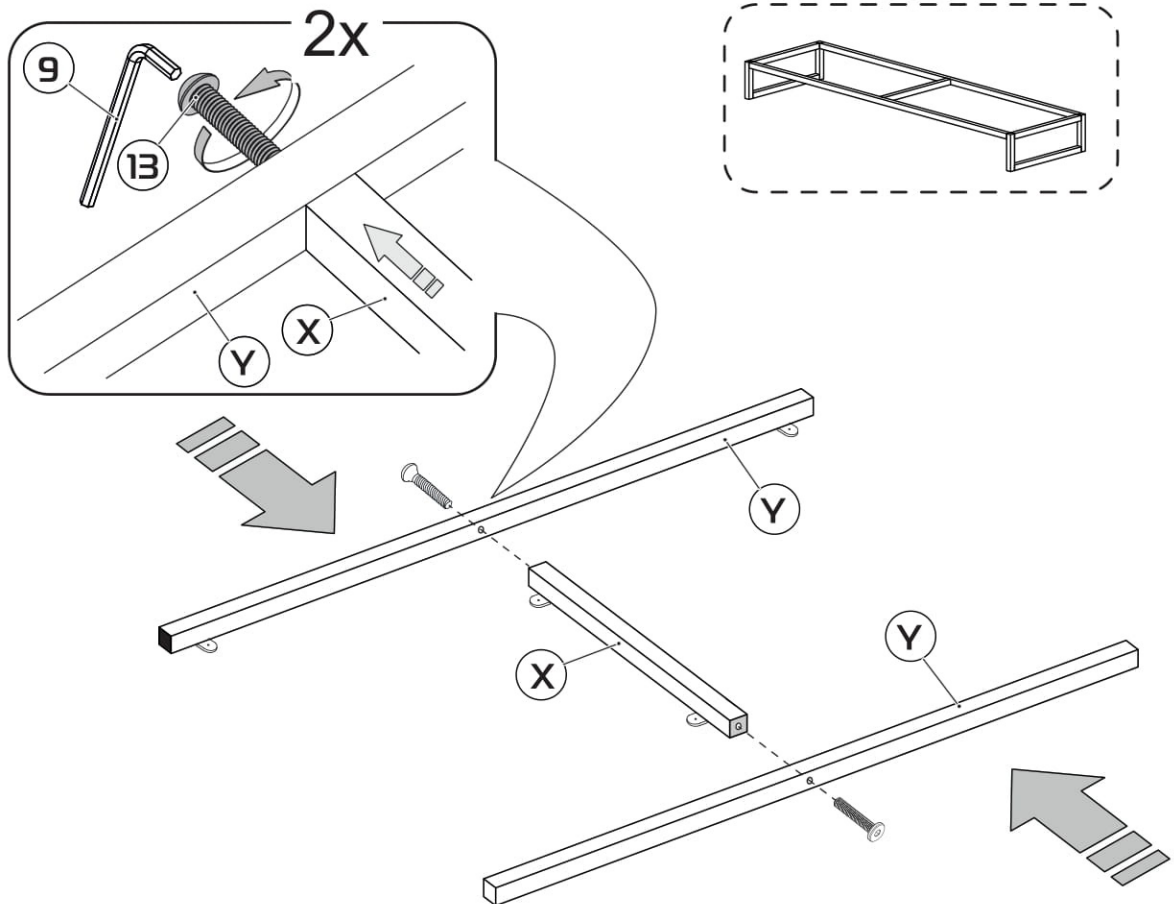
16



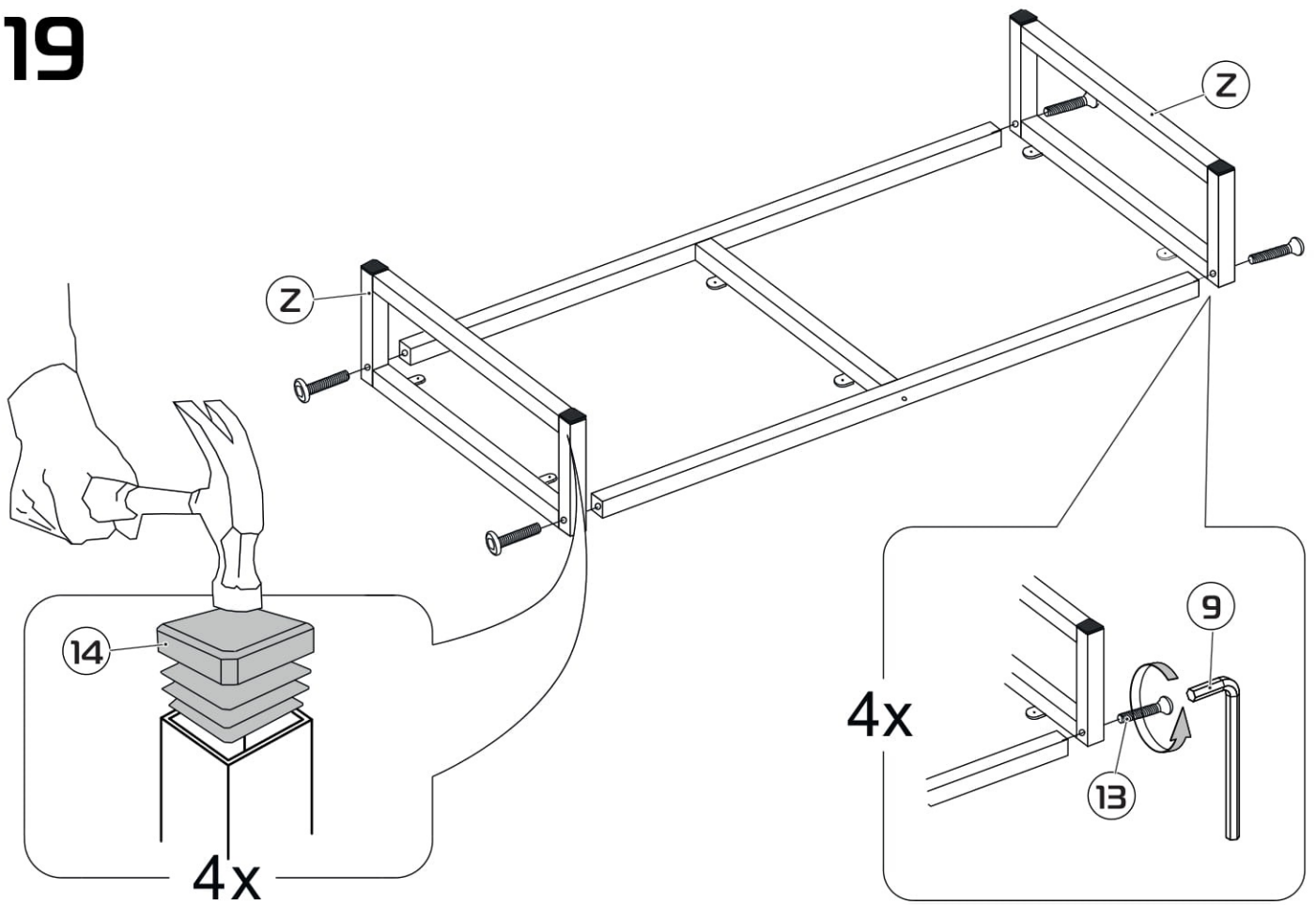
# 17



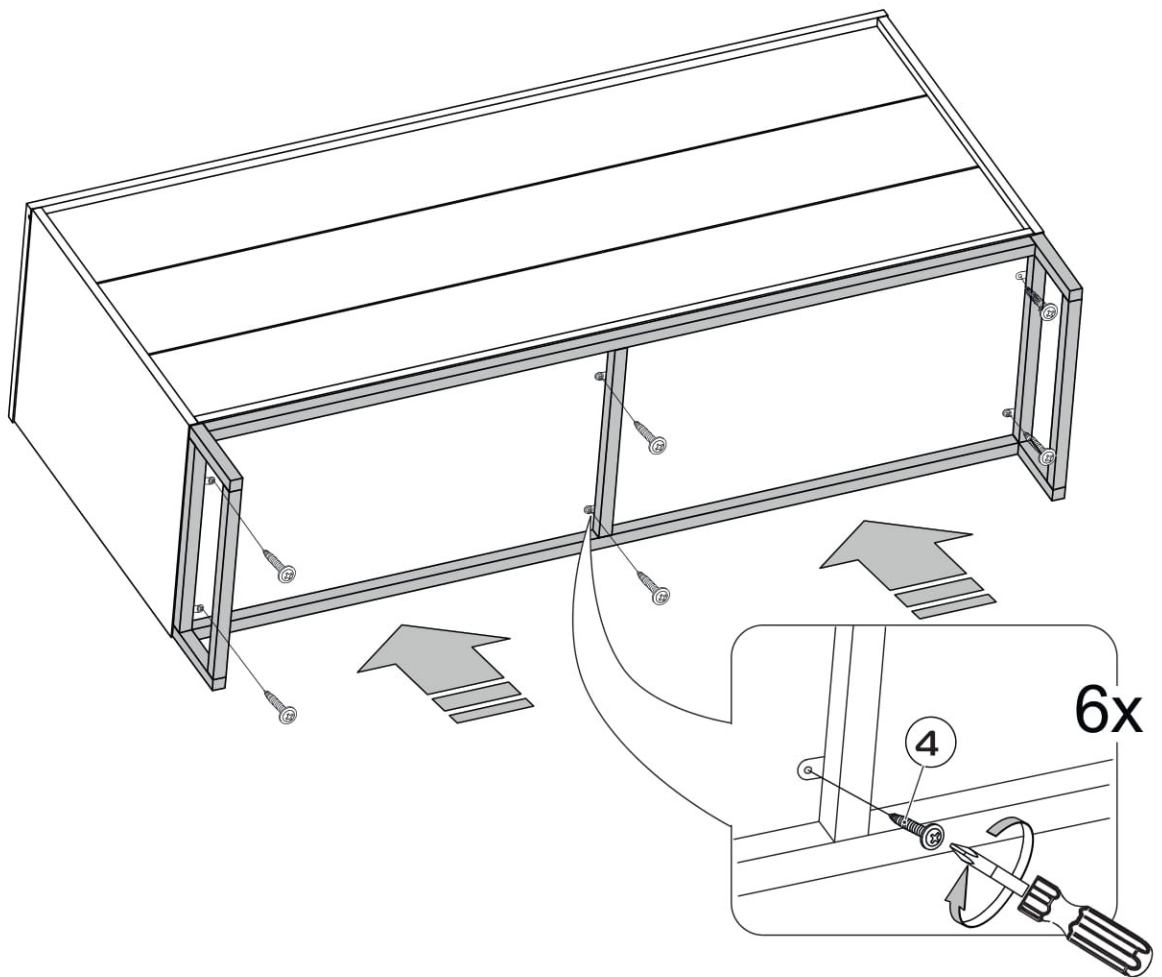
# 18



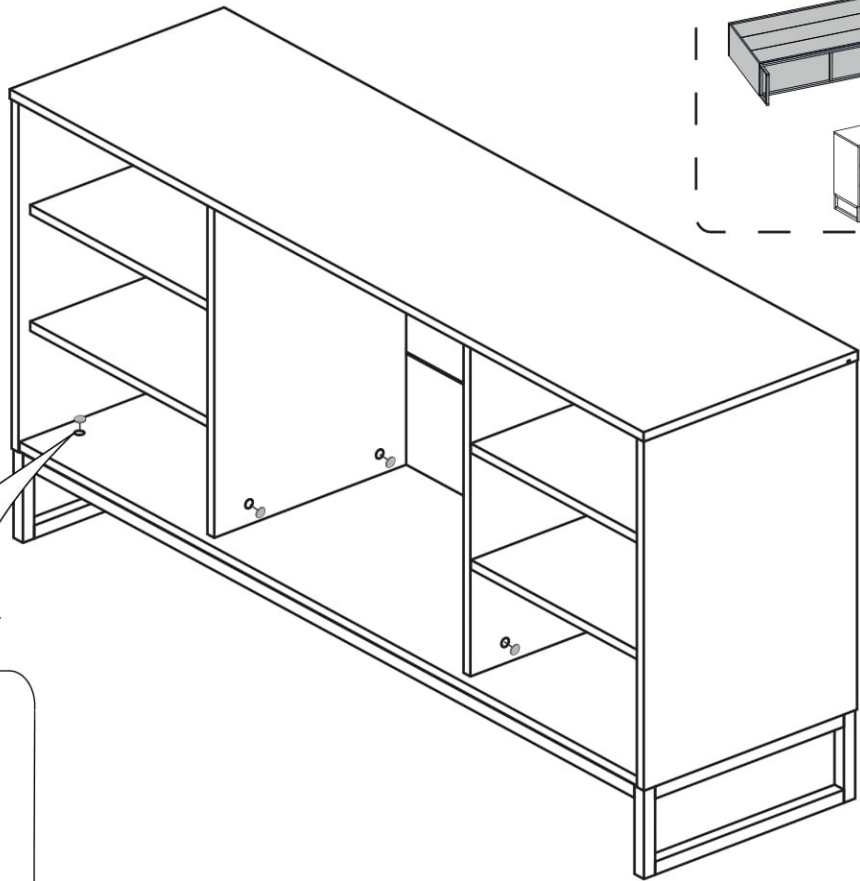
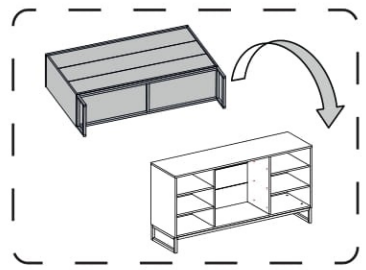
# 19



# 20

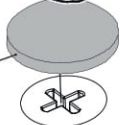


21

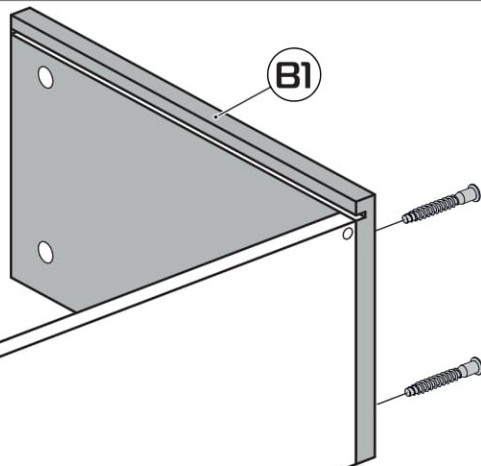
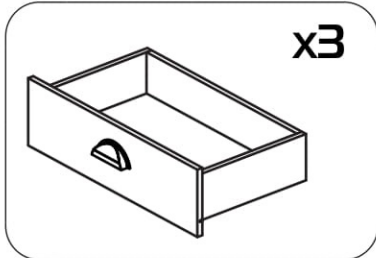


44x

18

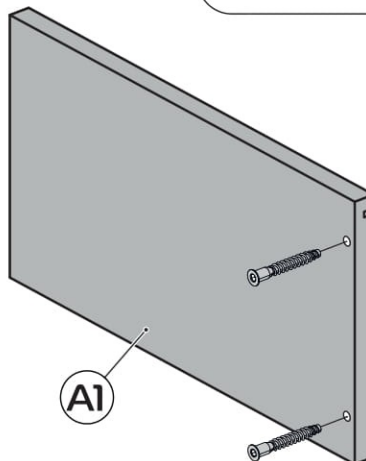


22



B1

C1

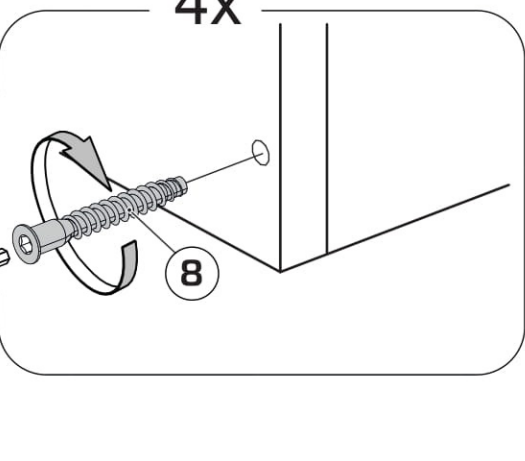


A1

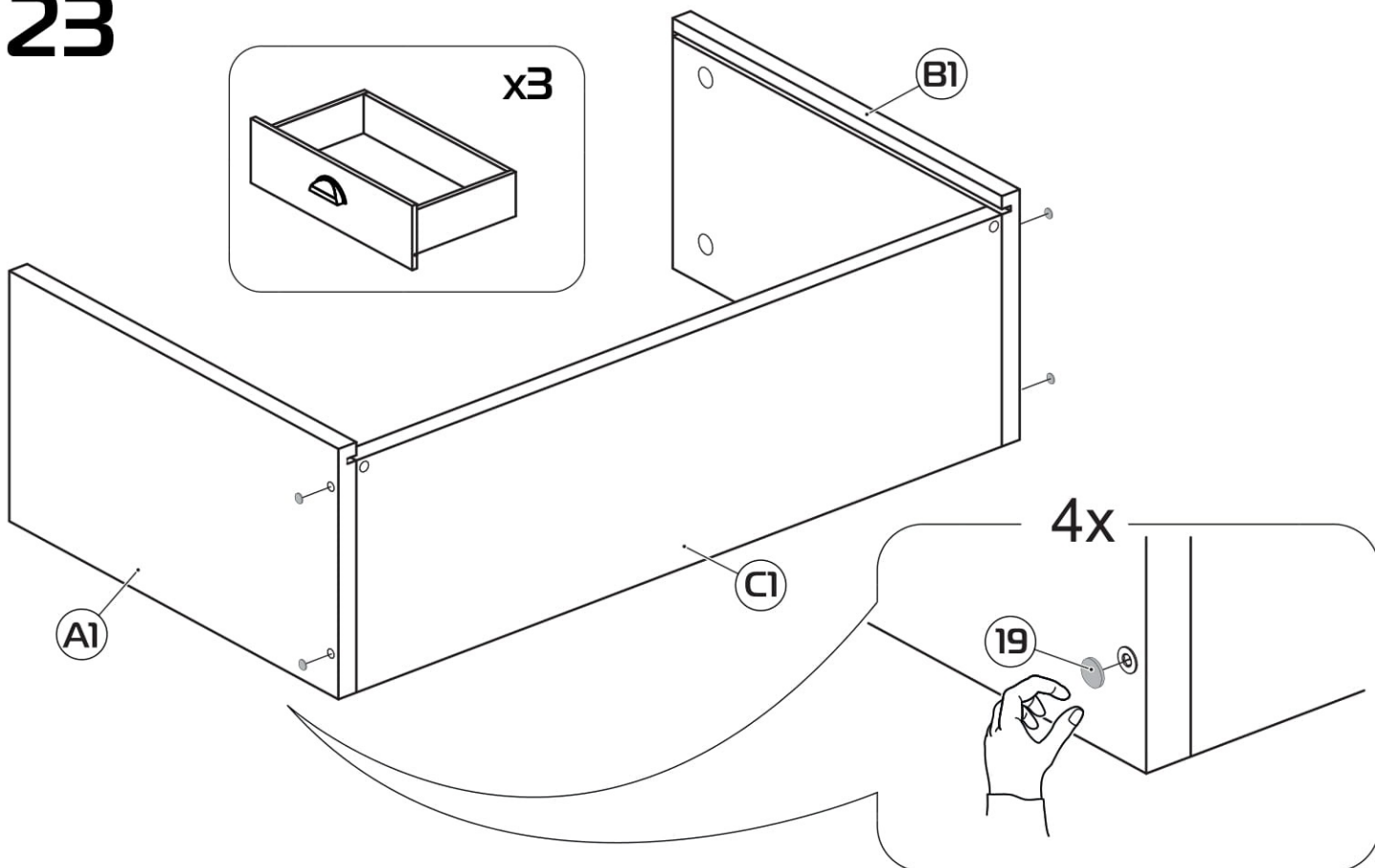
4x

9

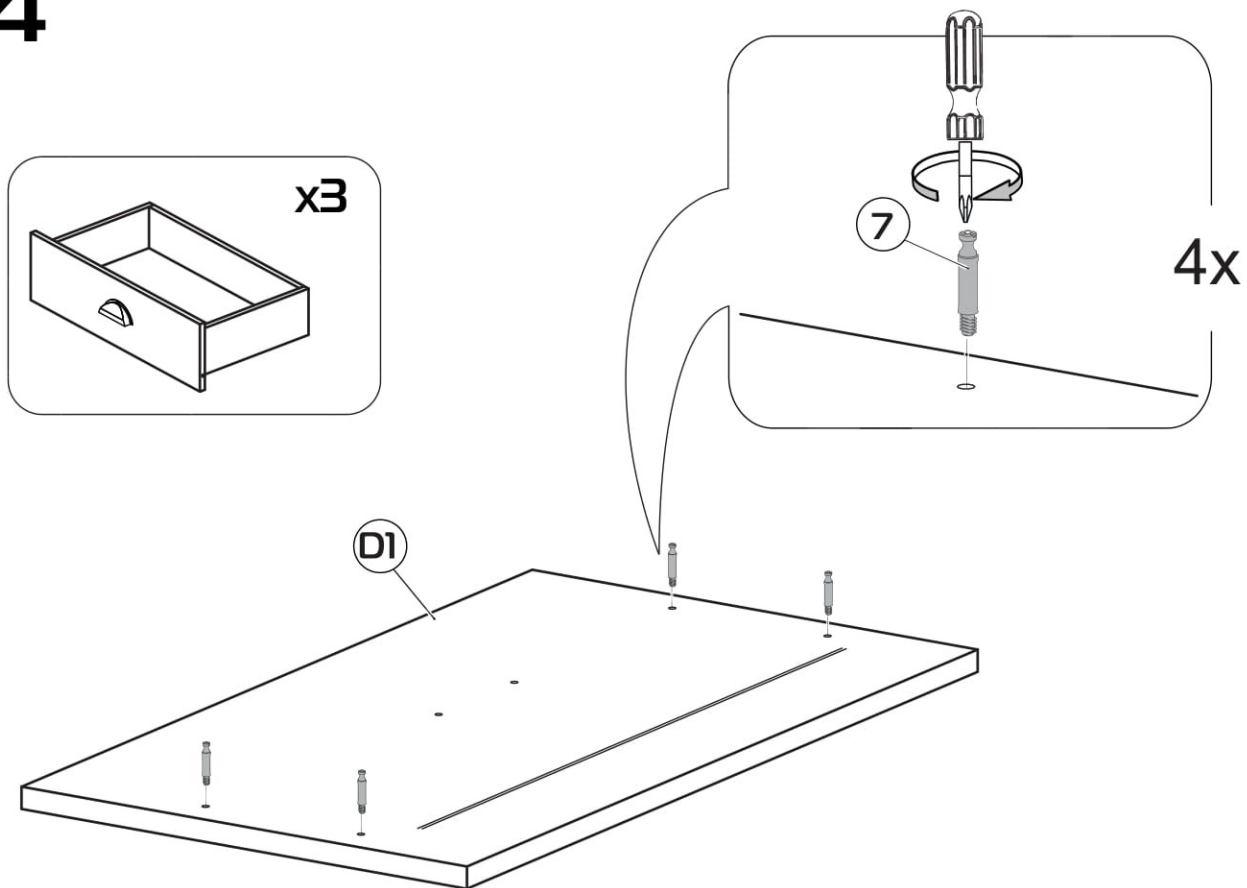
8



# 23

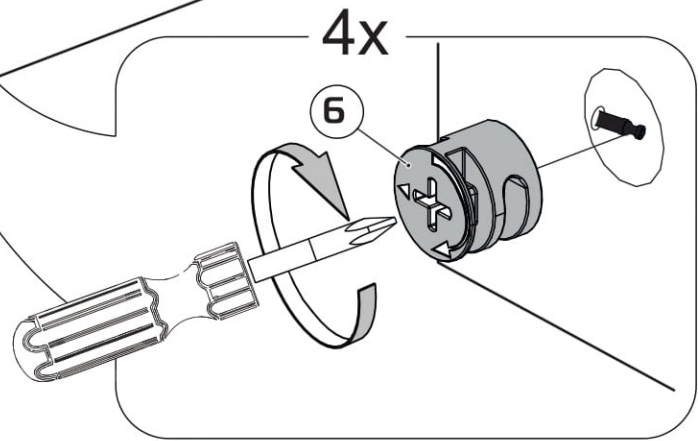
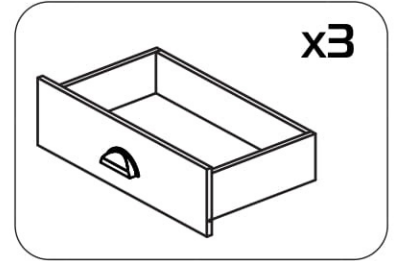
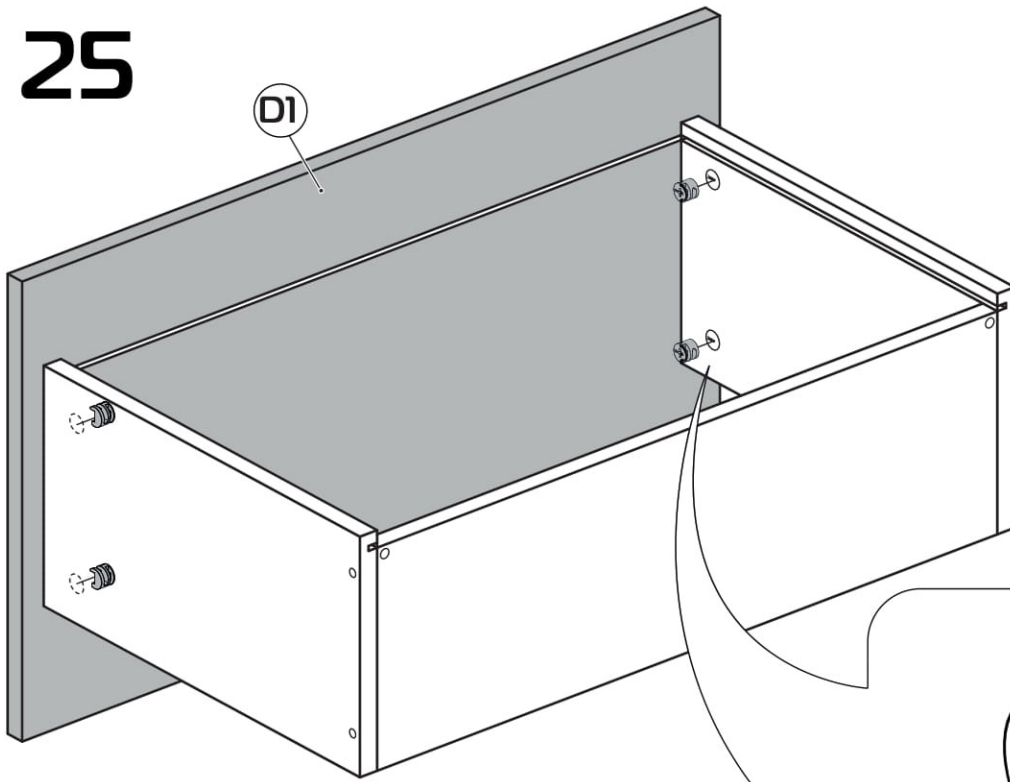


# 24

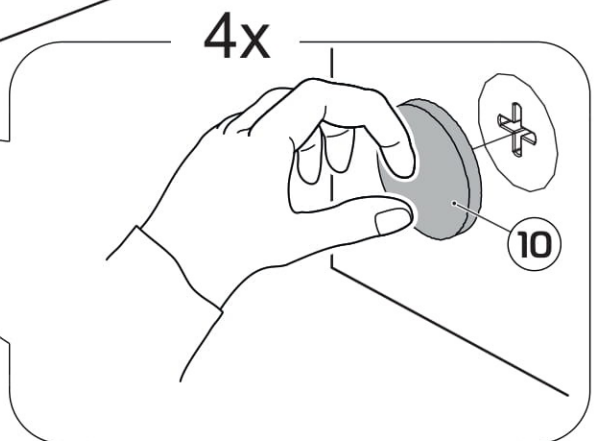
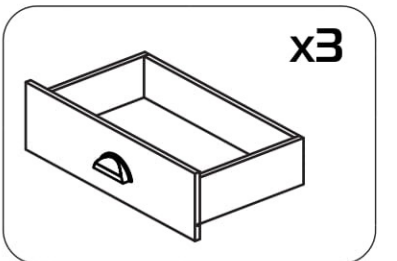
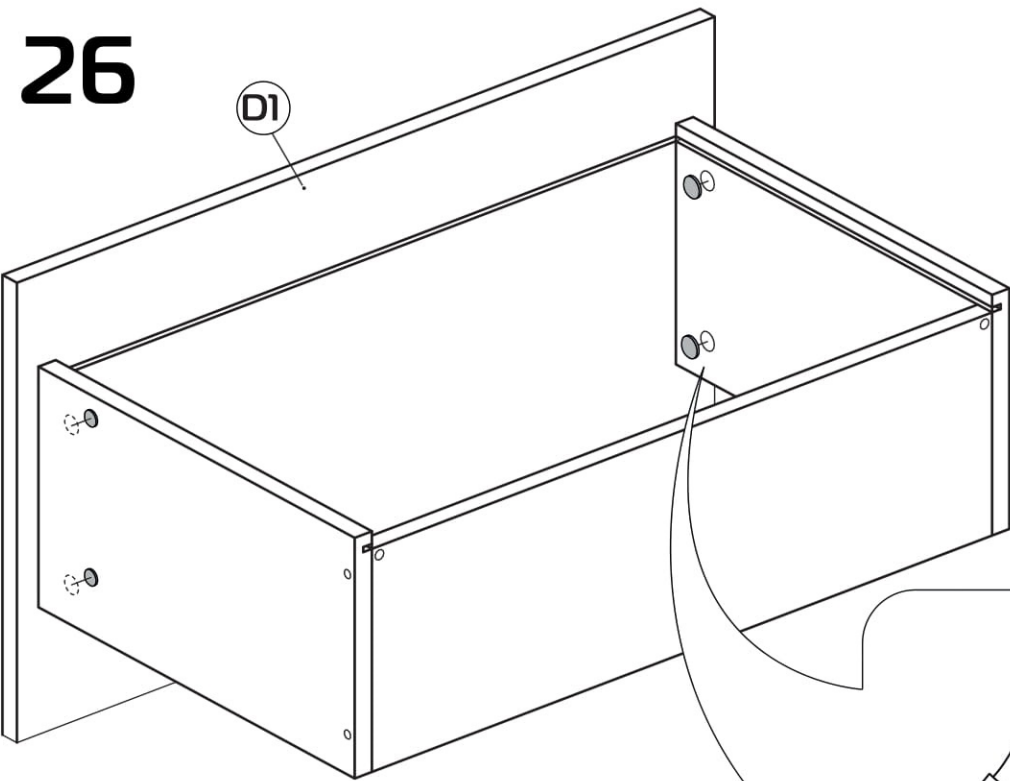




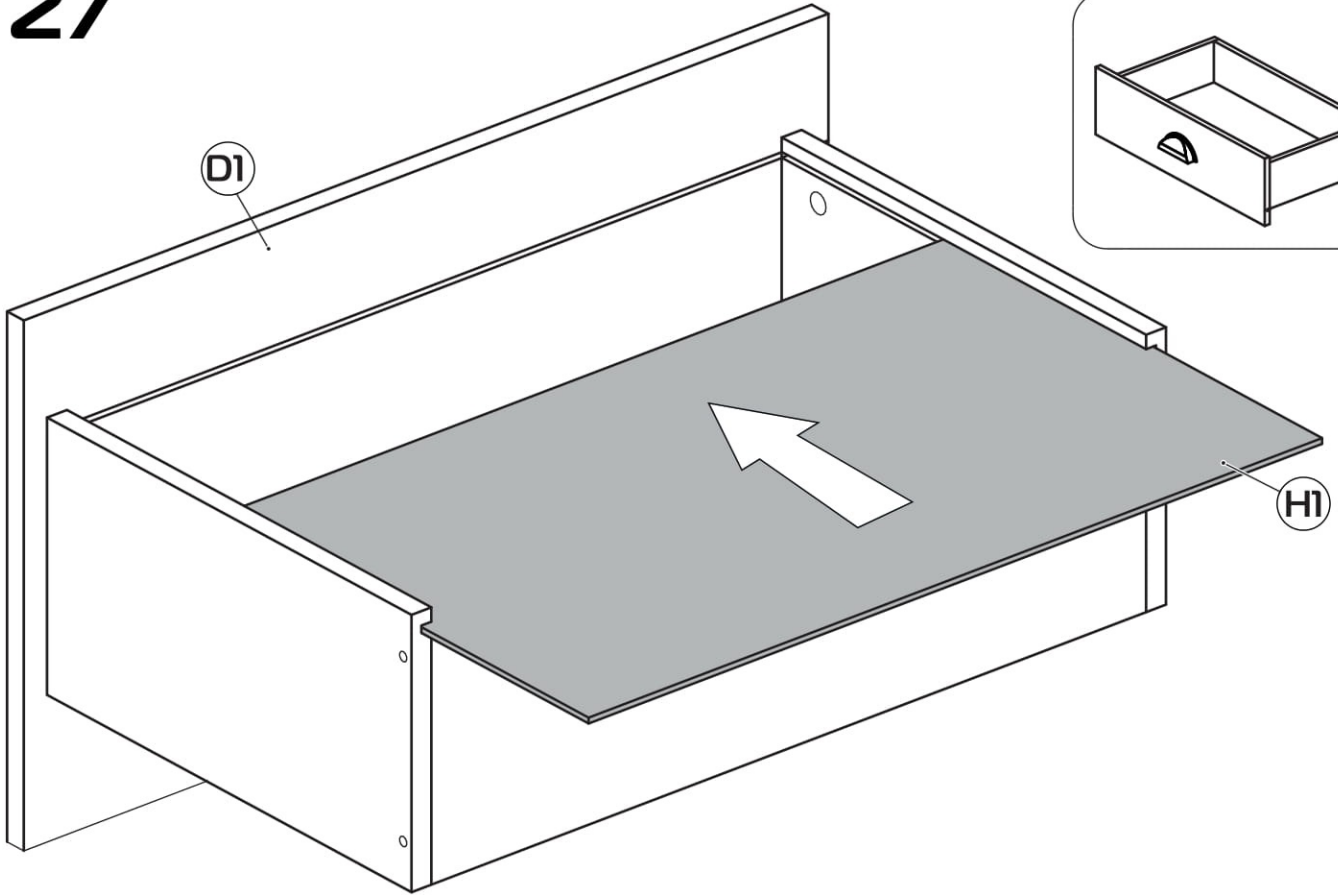
# 25



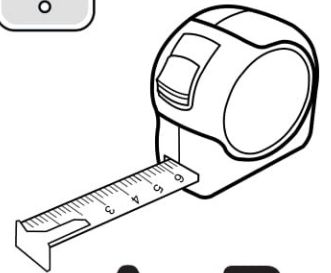
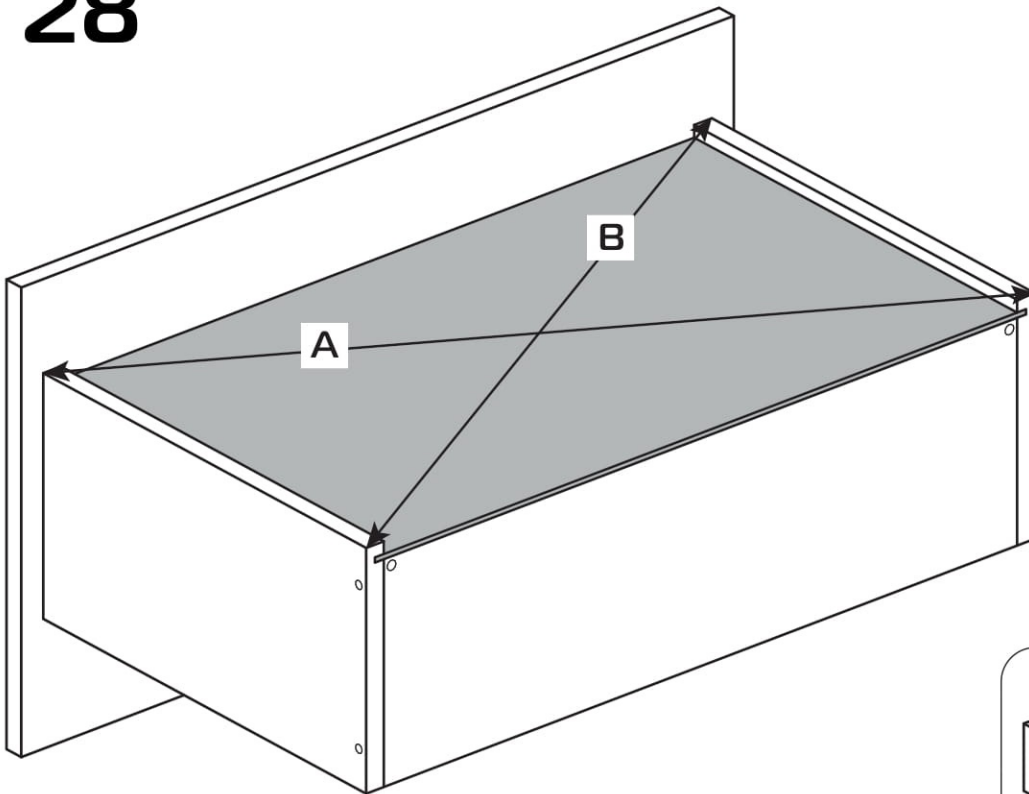
# 26



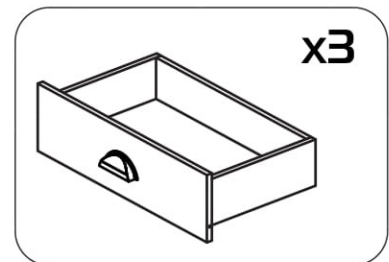
# 27



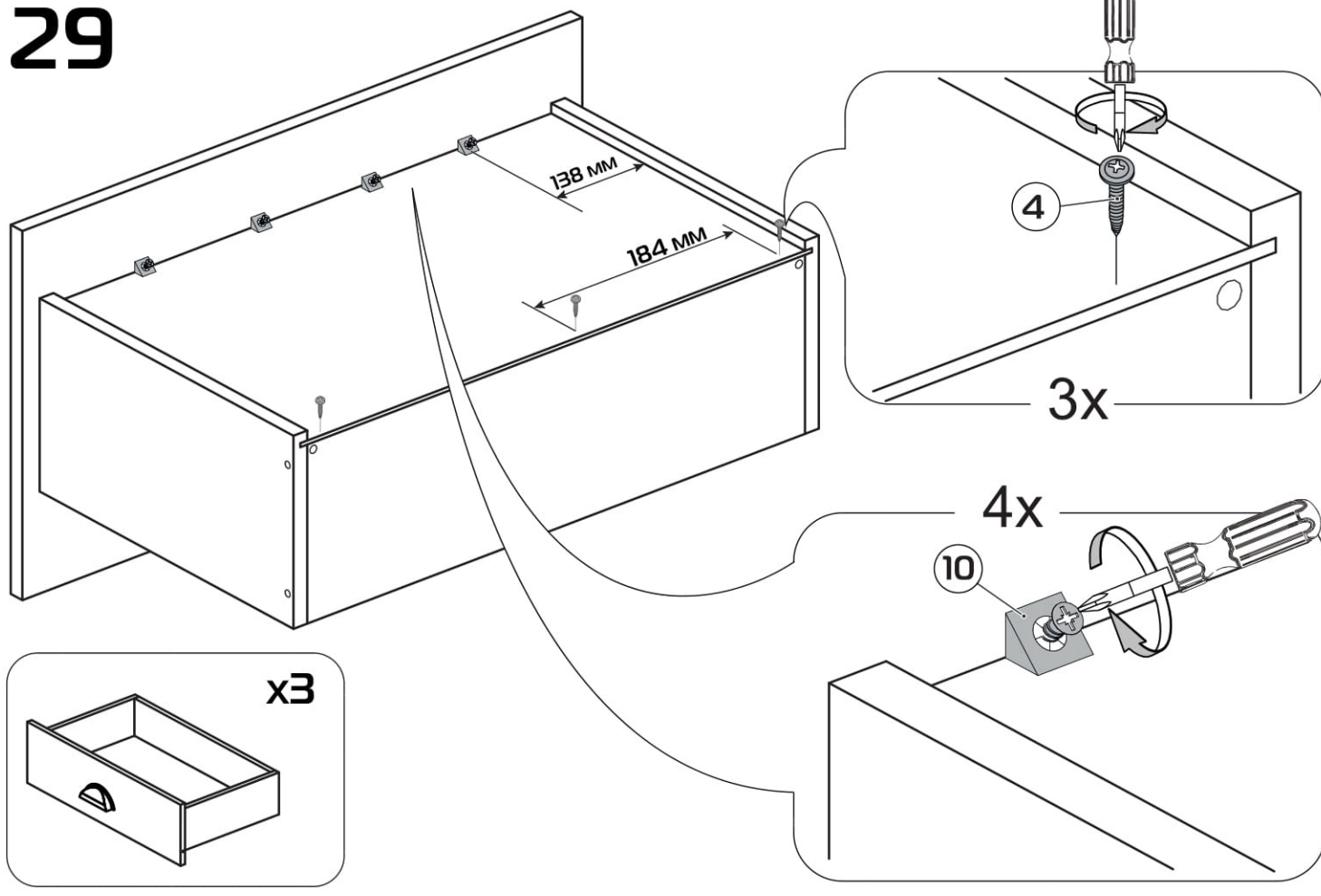
# 28



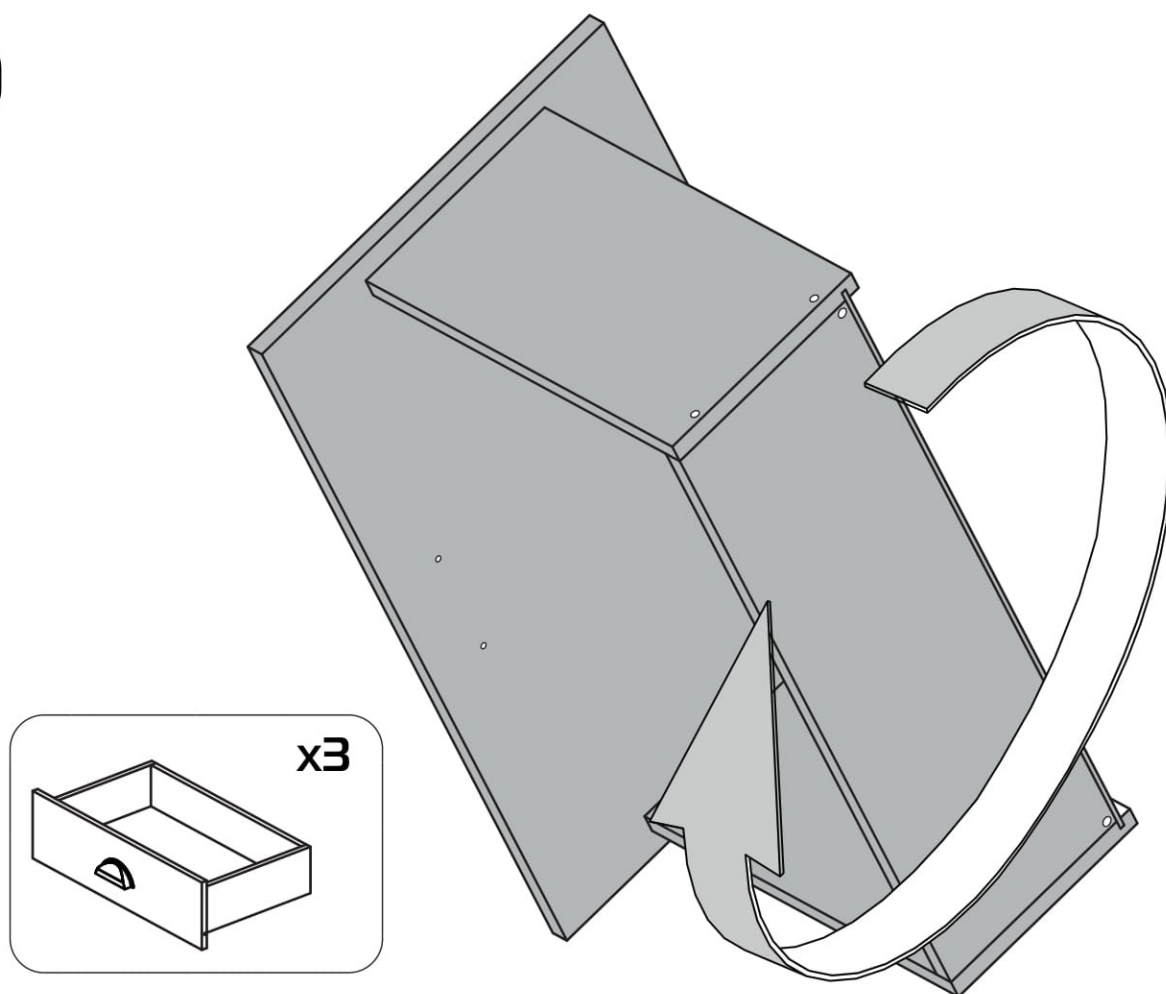
**A=B**

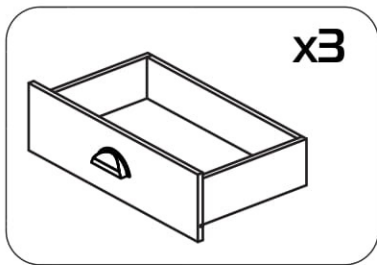
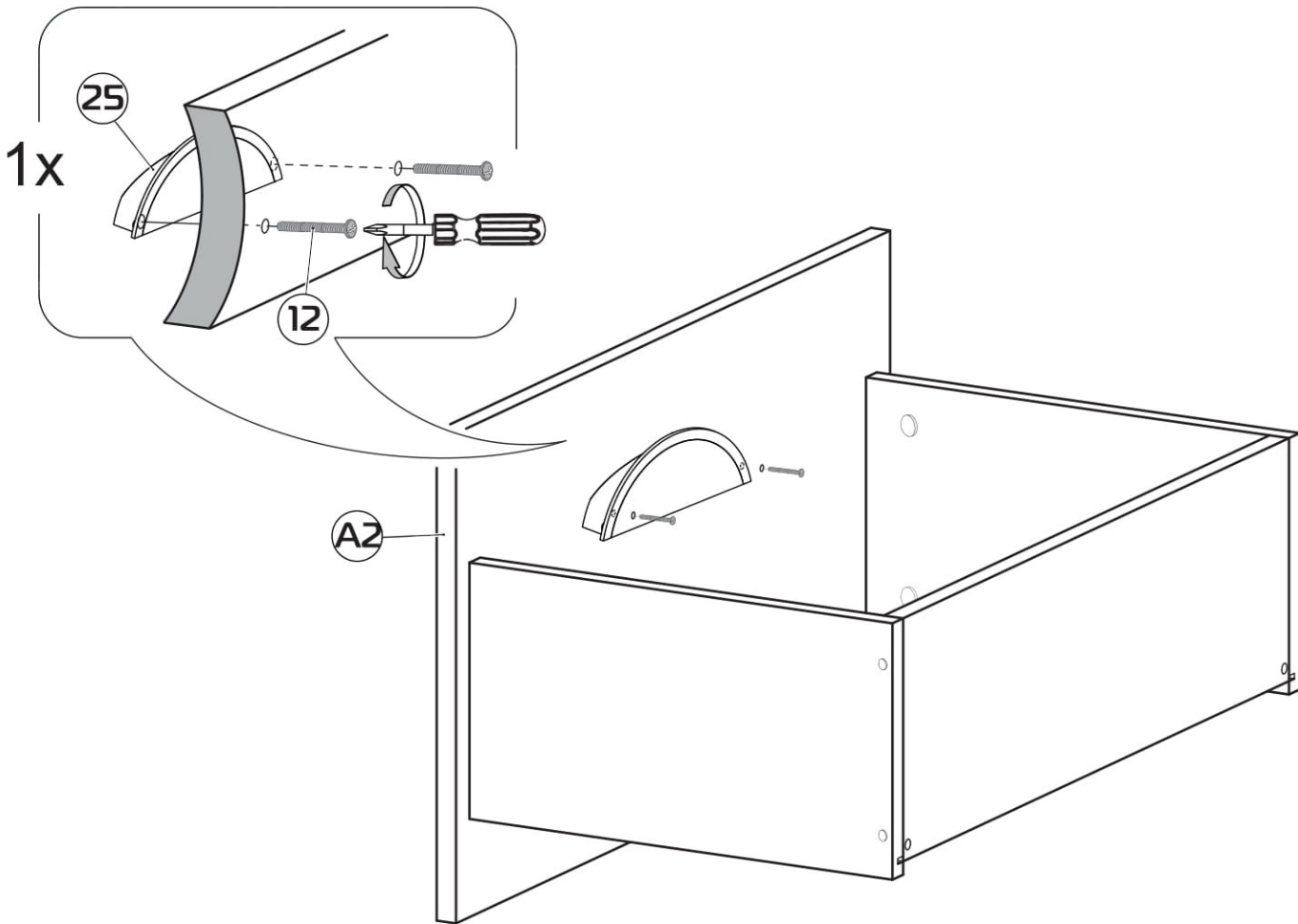


# 29

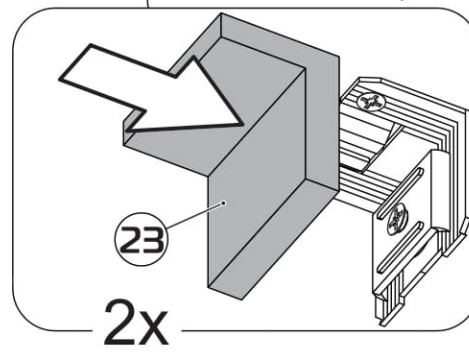
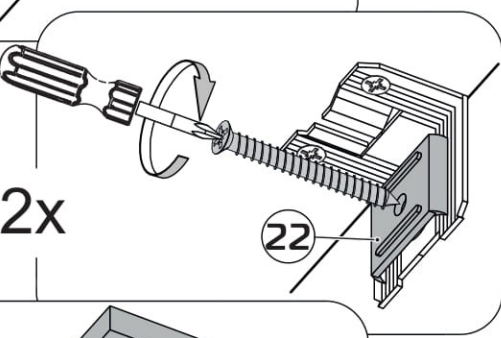
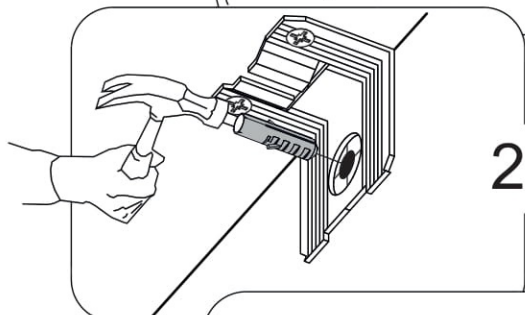
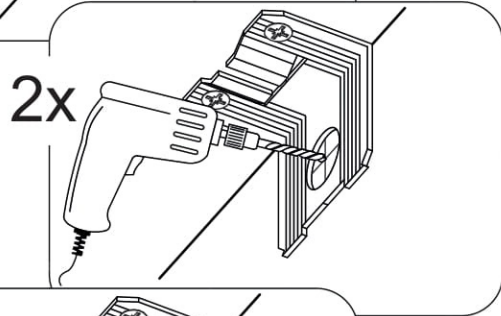
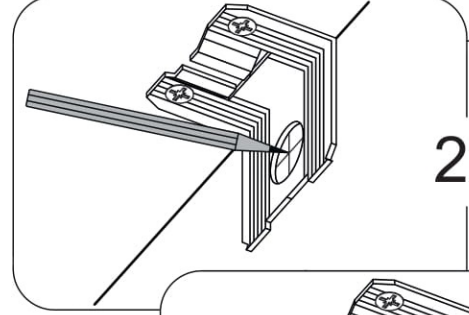
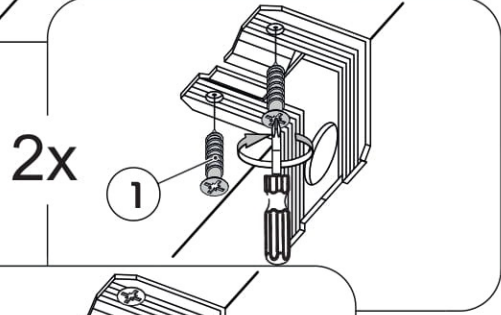
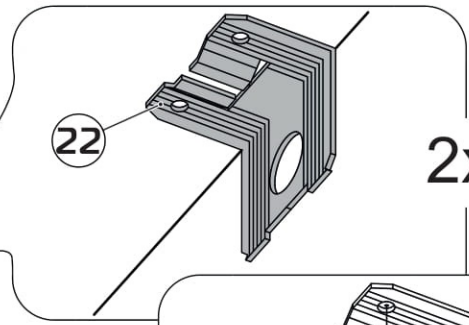
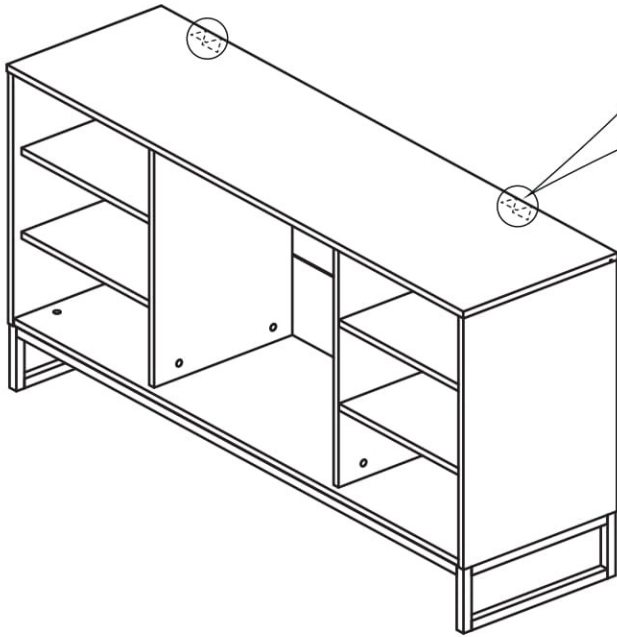


# 30



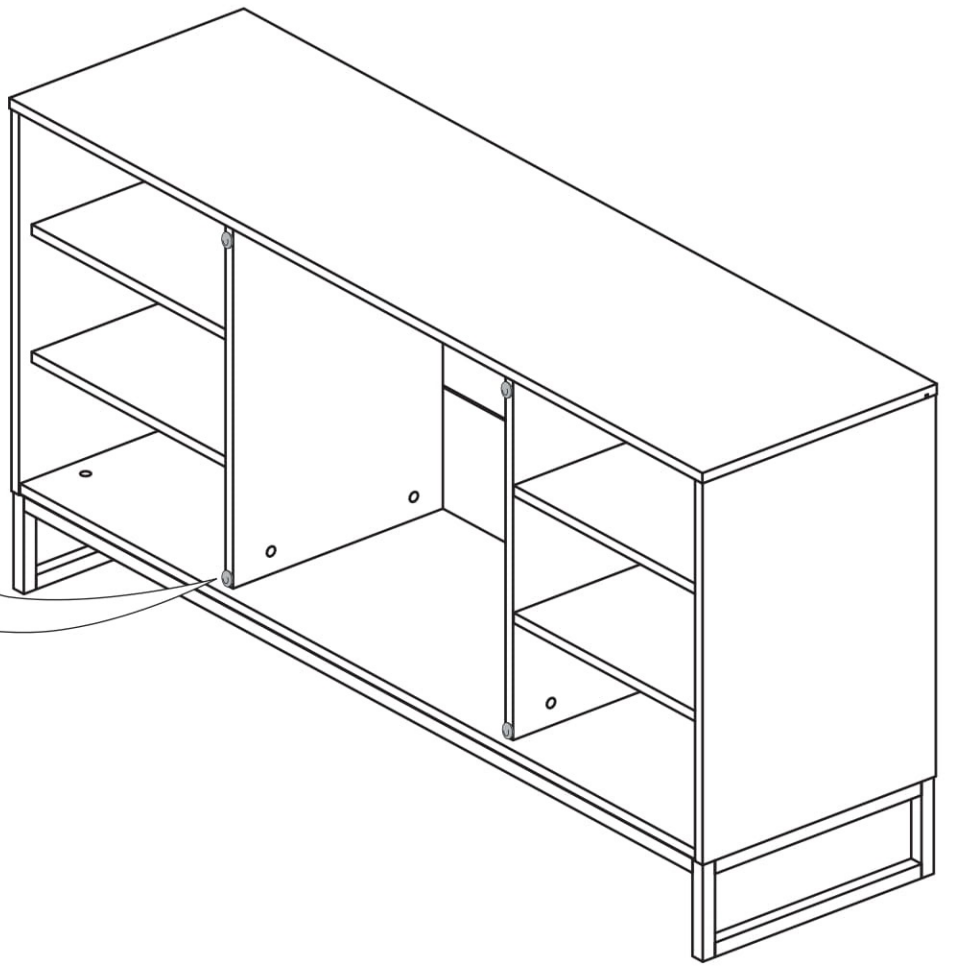
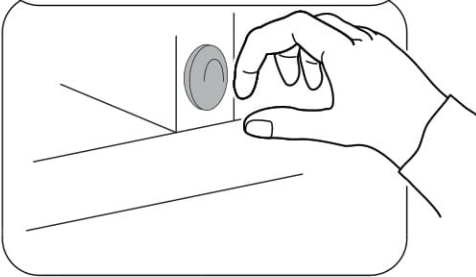
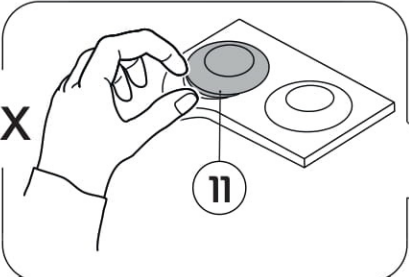


# 32

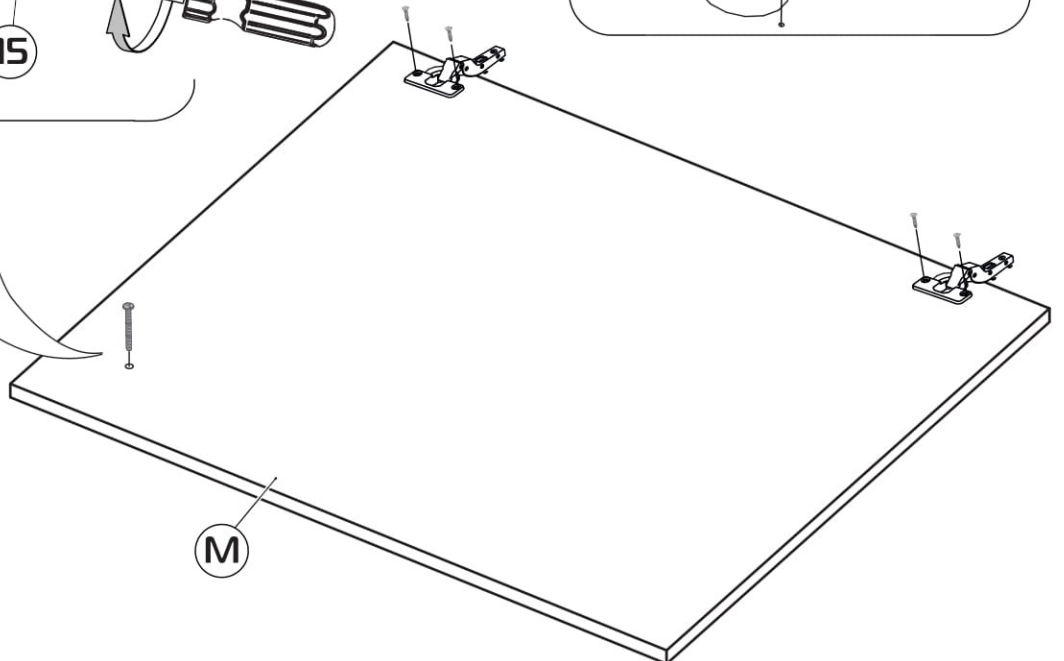
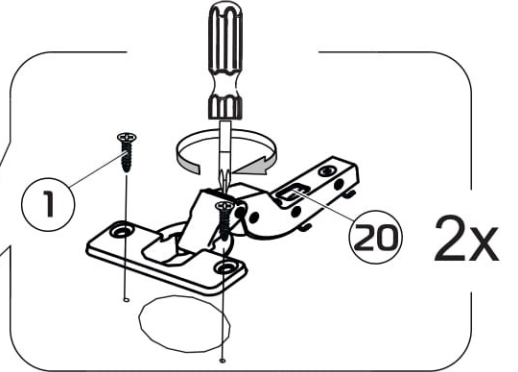
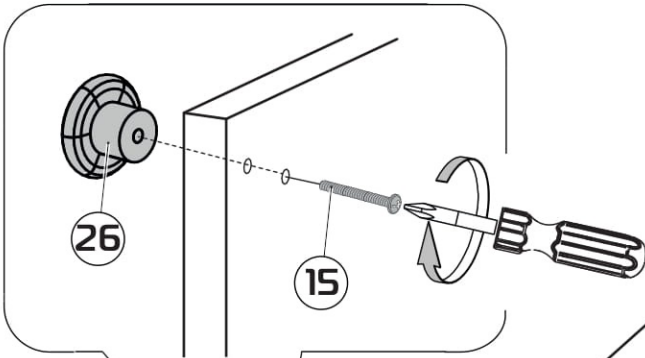


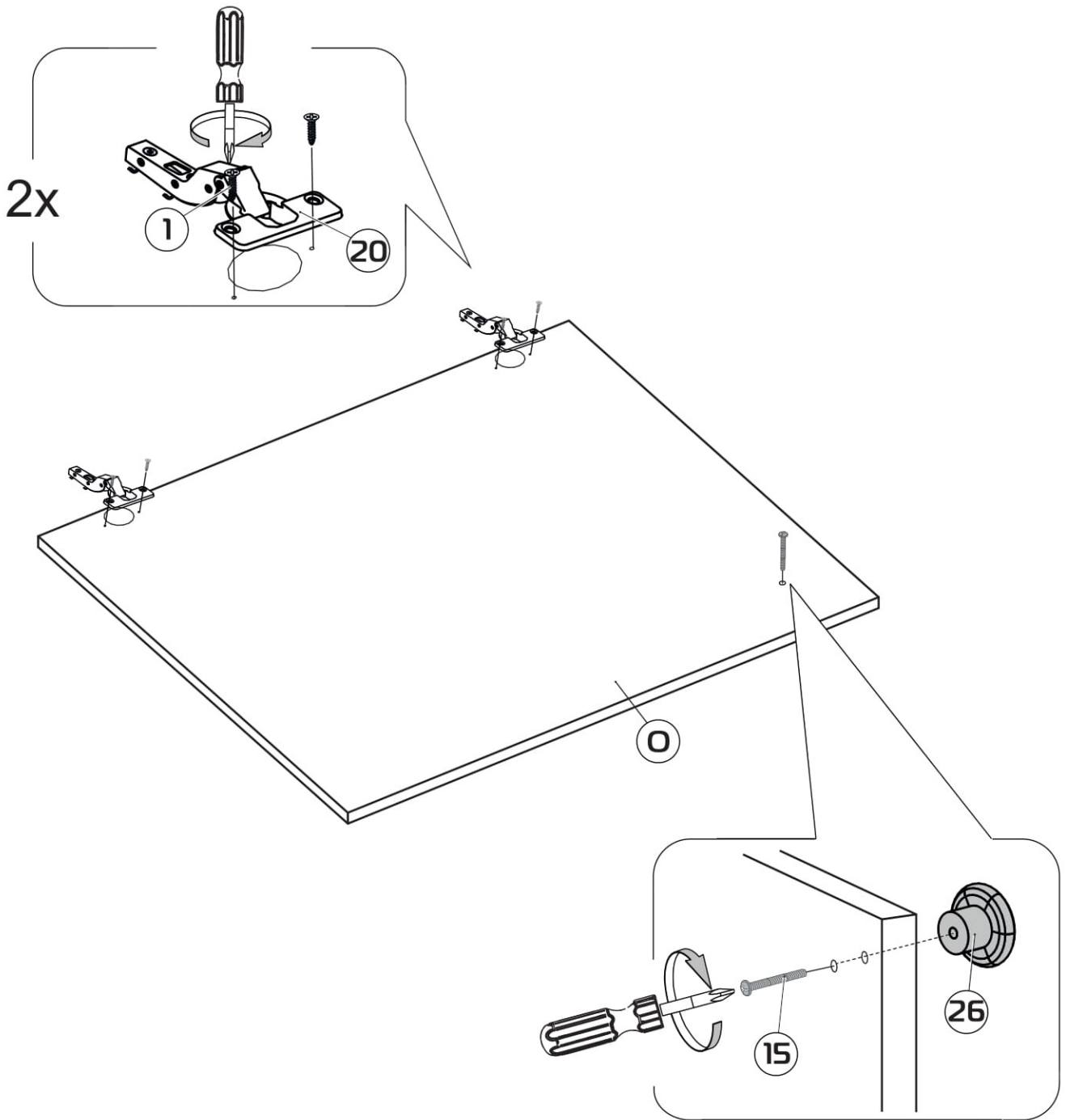
# 33

4x

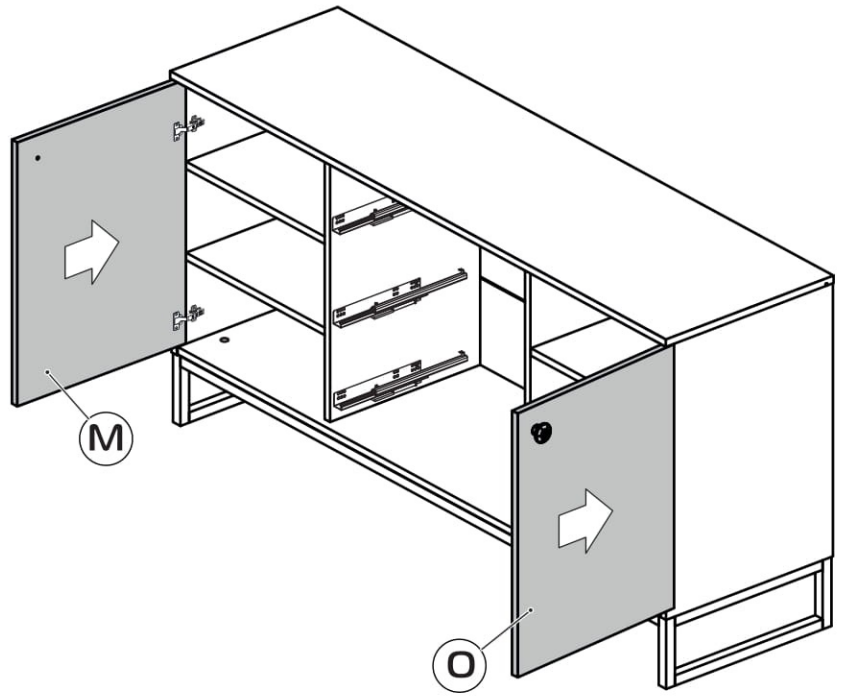
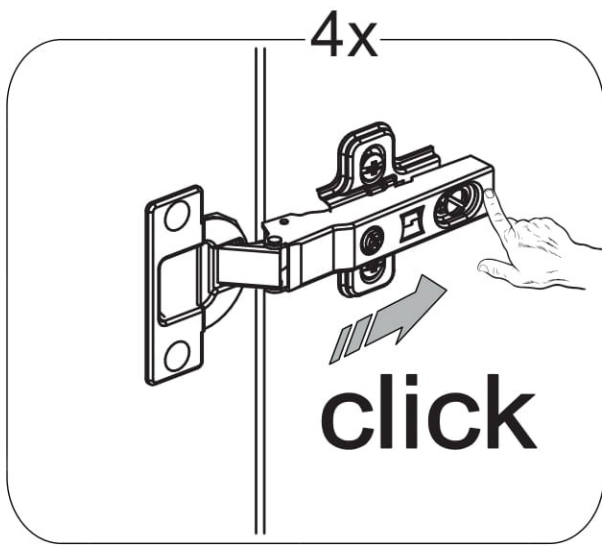


# 34

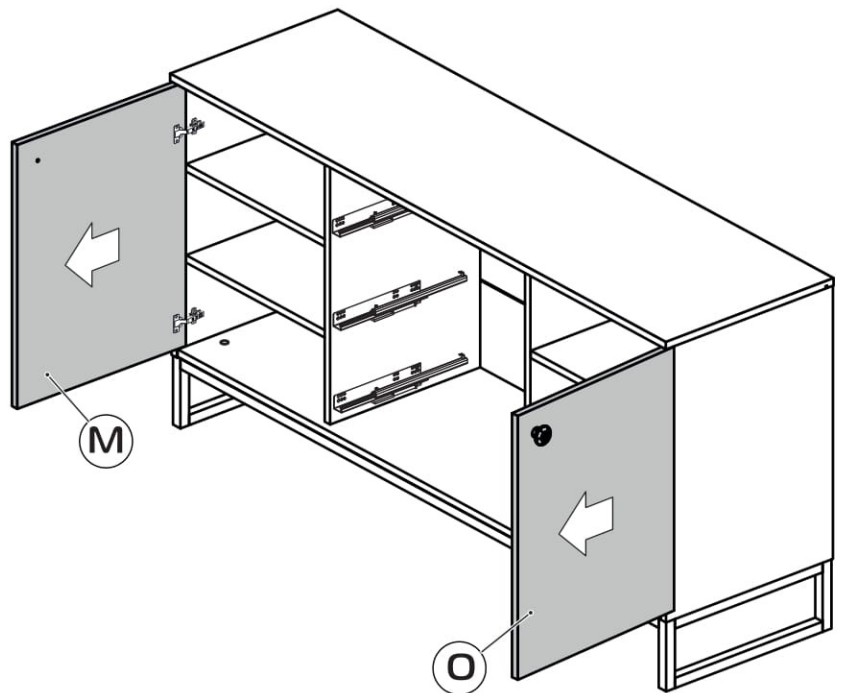
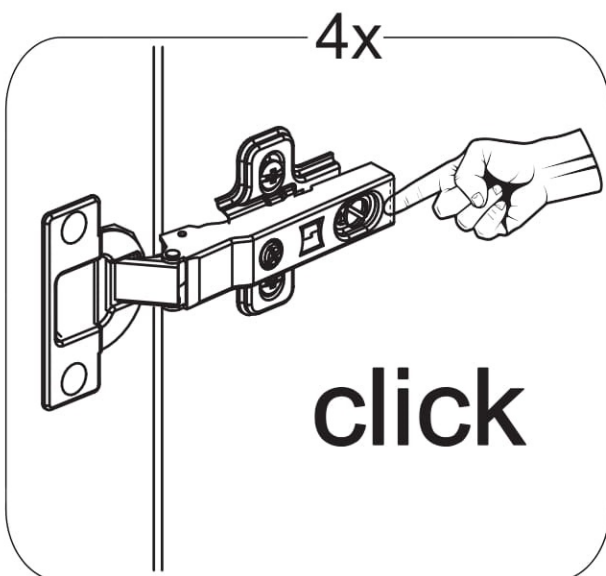




# 36

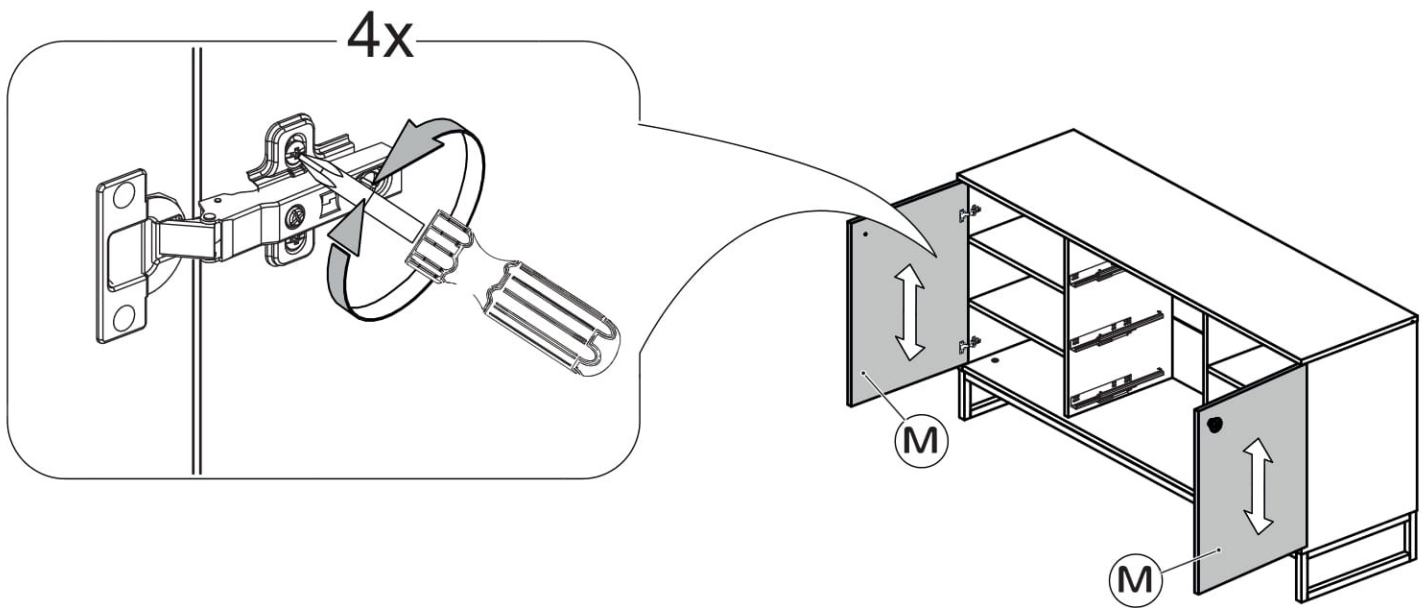
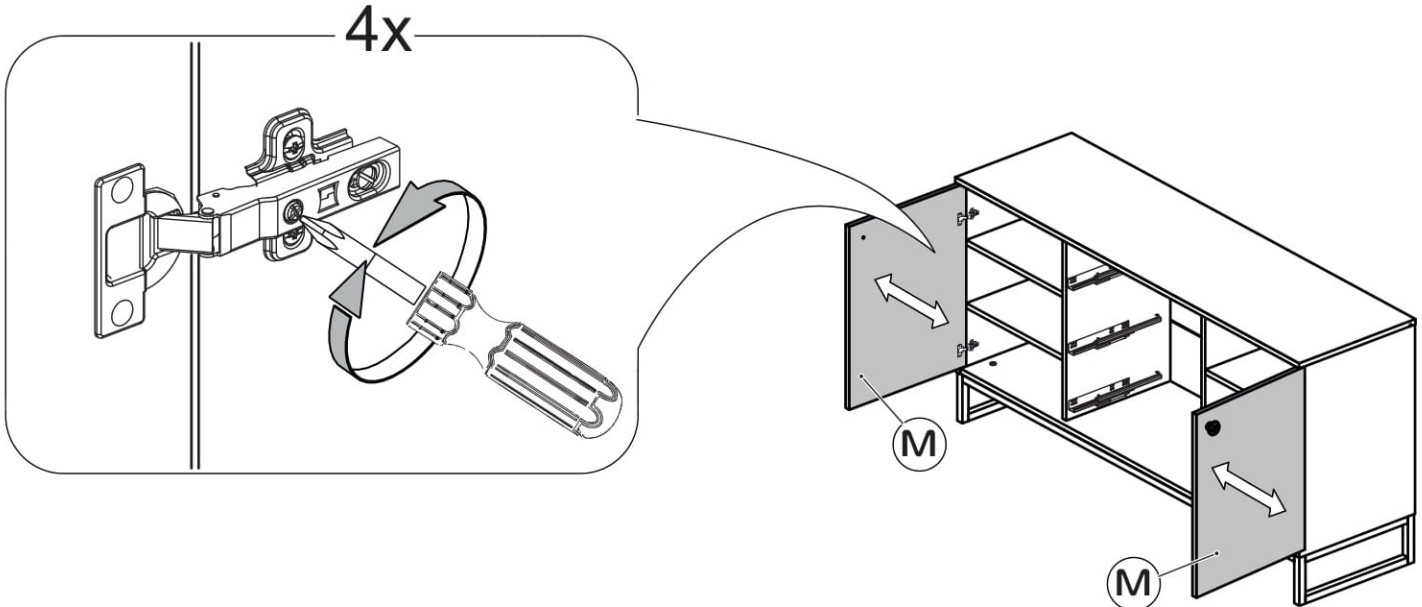
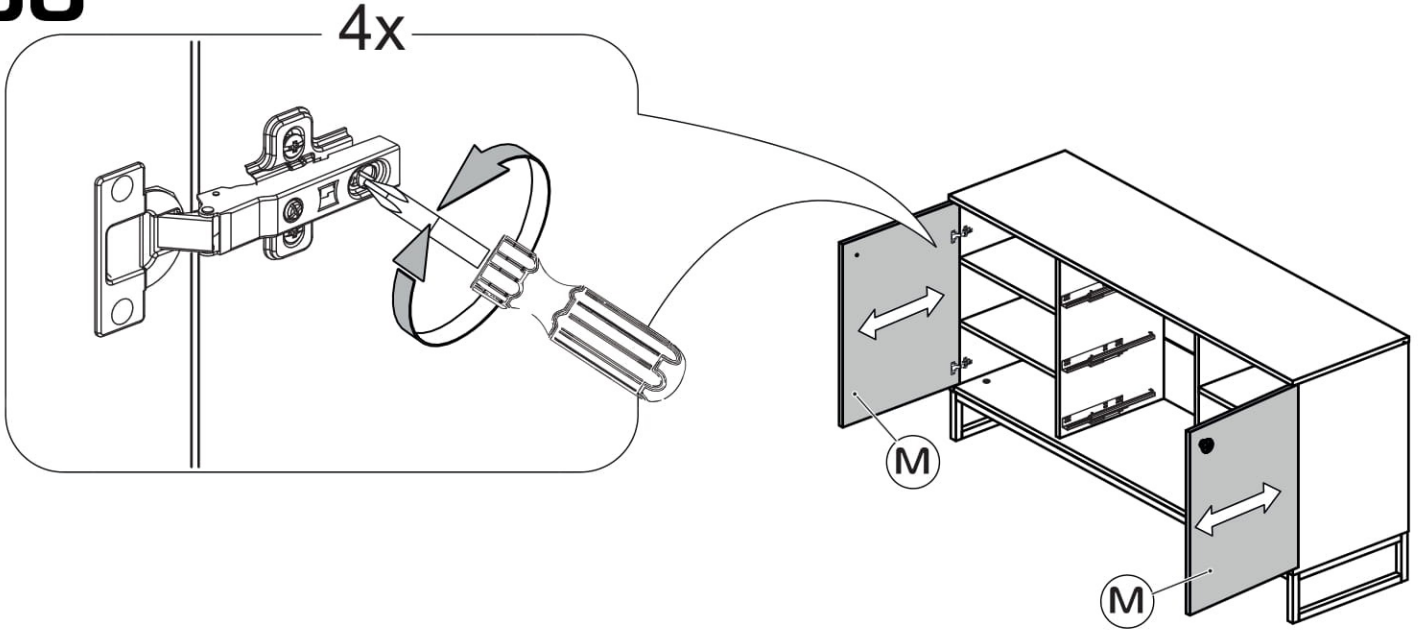


# 37





# 38



39

