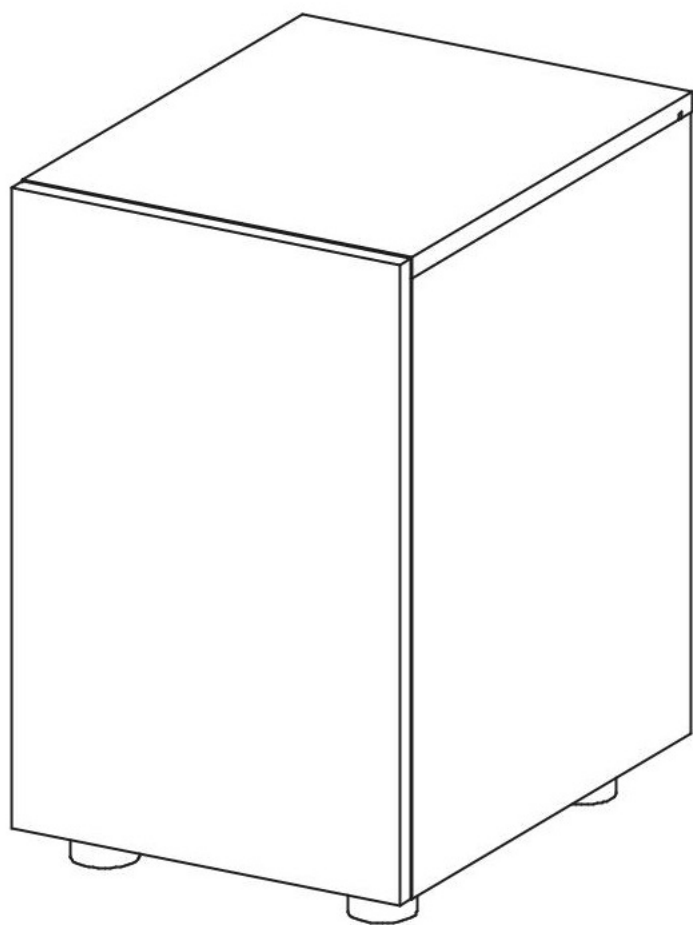
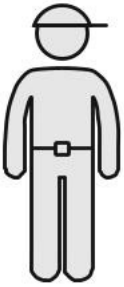


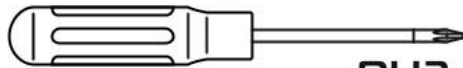
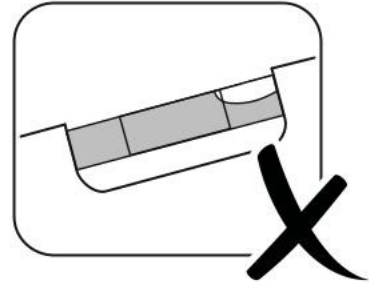
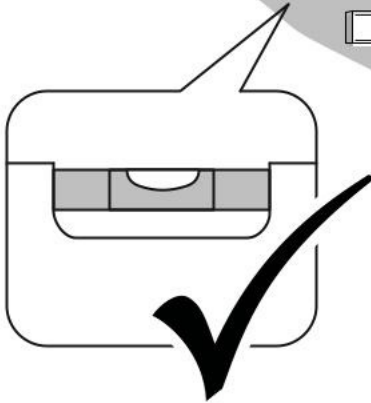
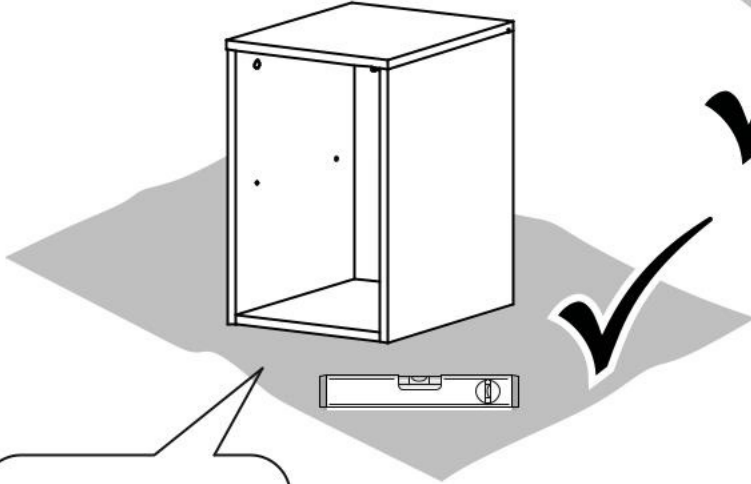
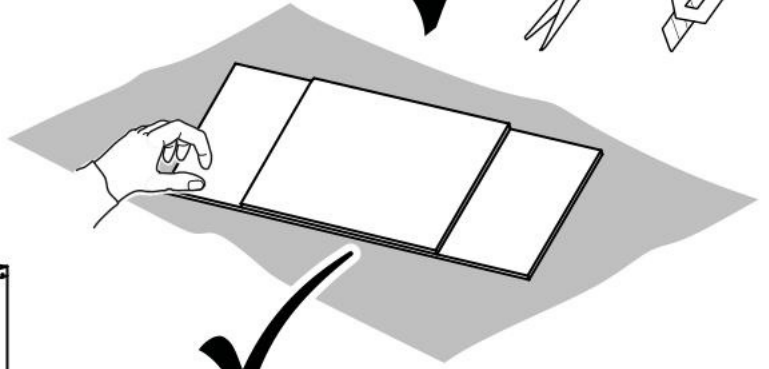
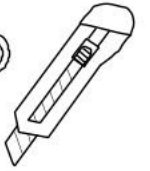
Nízka skříňka - dub halifax

OSVALD

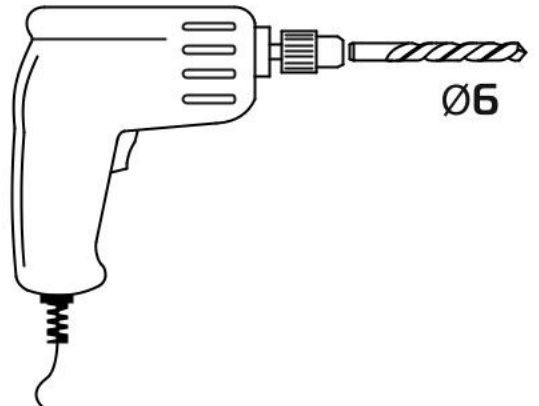
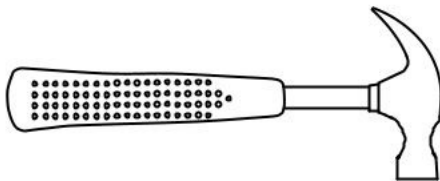
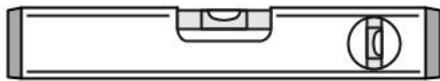
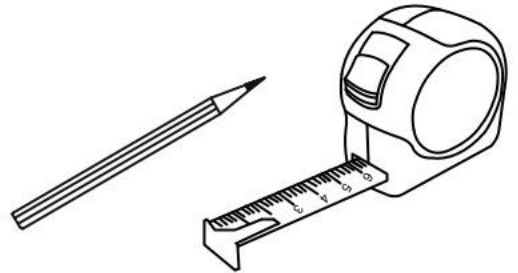


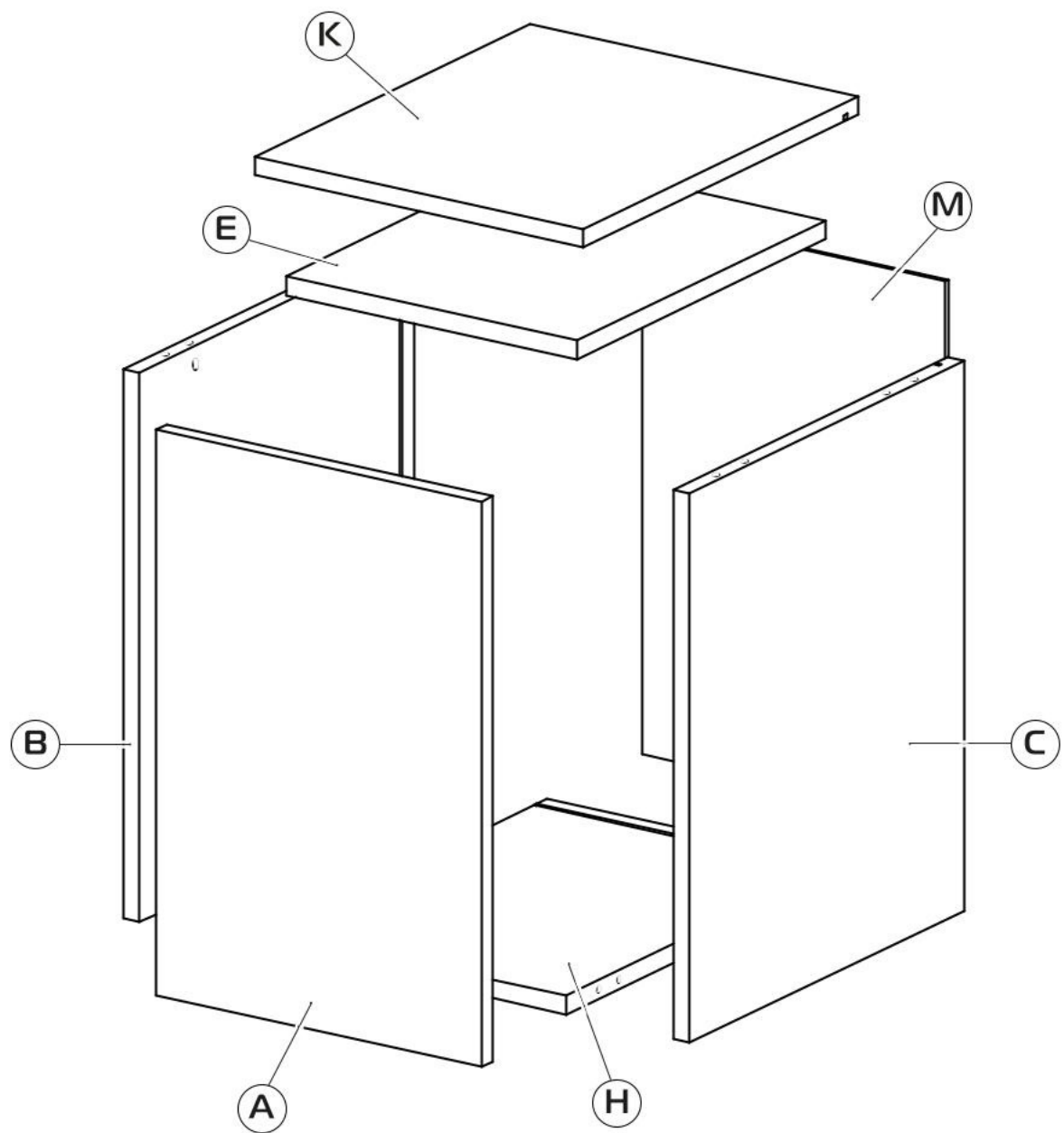


30 min



PH2





Ⓐ 681010.003 491x323x16 (x1)

Ⓑ 681010.002 477x403x16 (x1)

Ⓒ 681010.001 477x403x16 (x1)

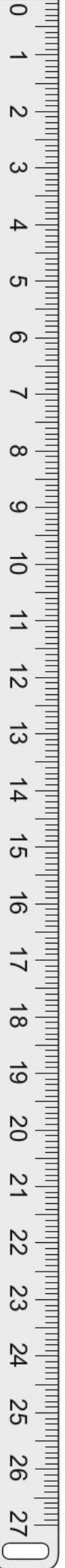
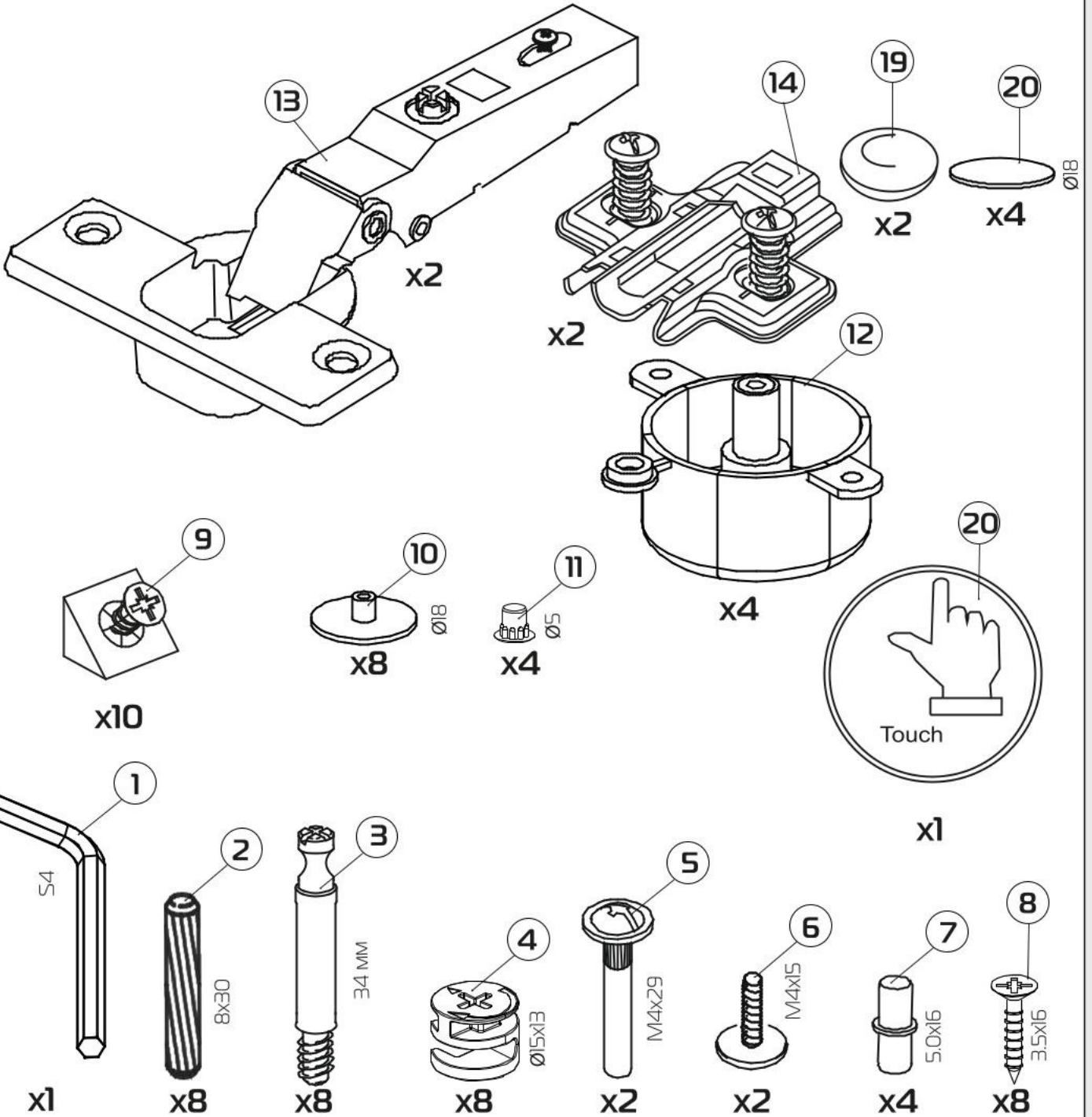
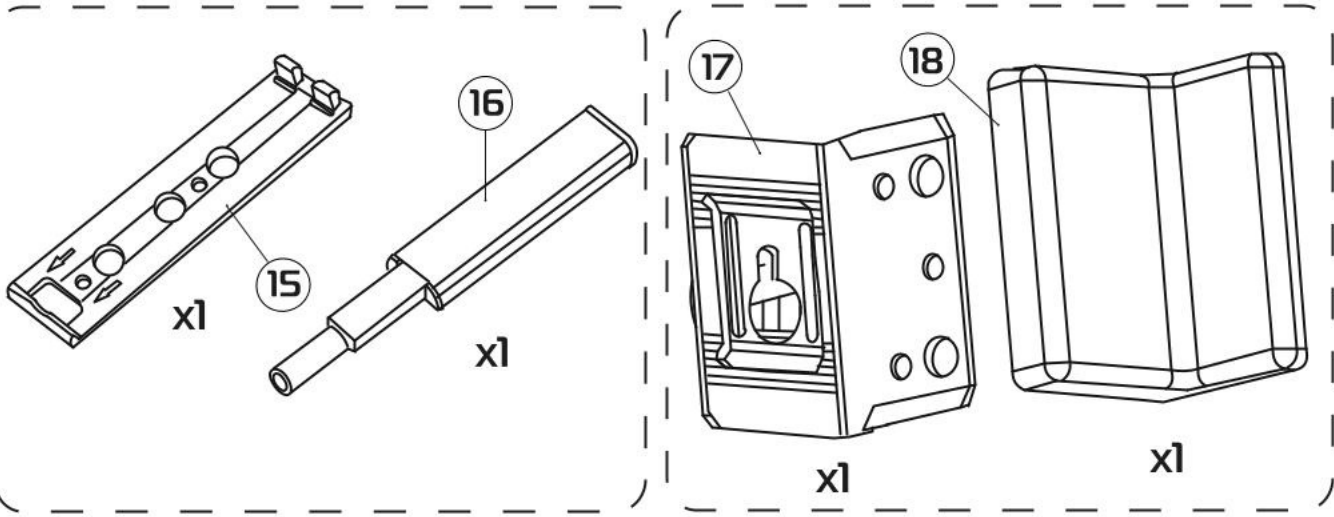
Ⓔ 681010.006 364x289x16 (x1)

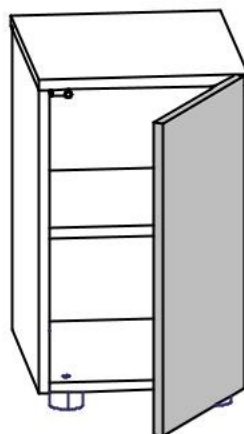
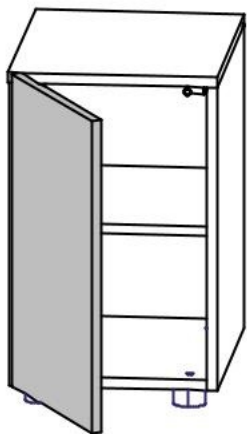
Ⓕ 681010.005 402x291x16 (x1)

Ⓖ 681010.004 404x325x16 (x1)

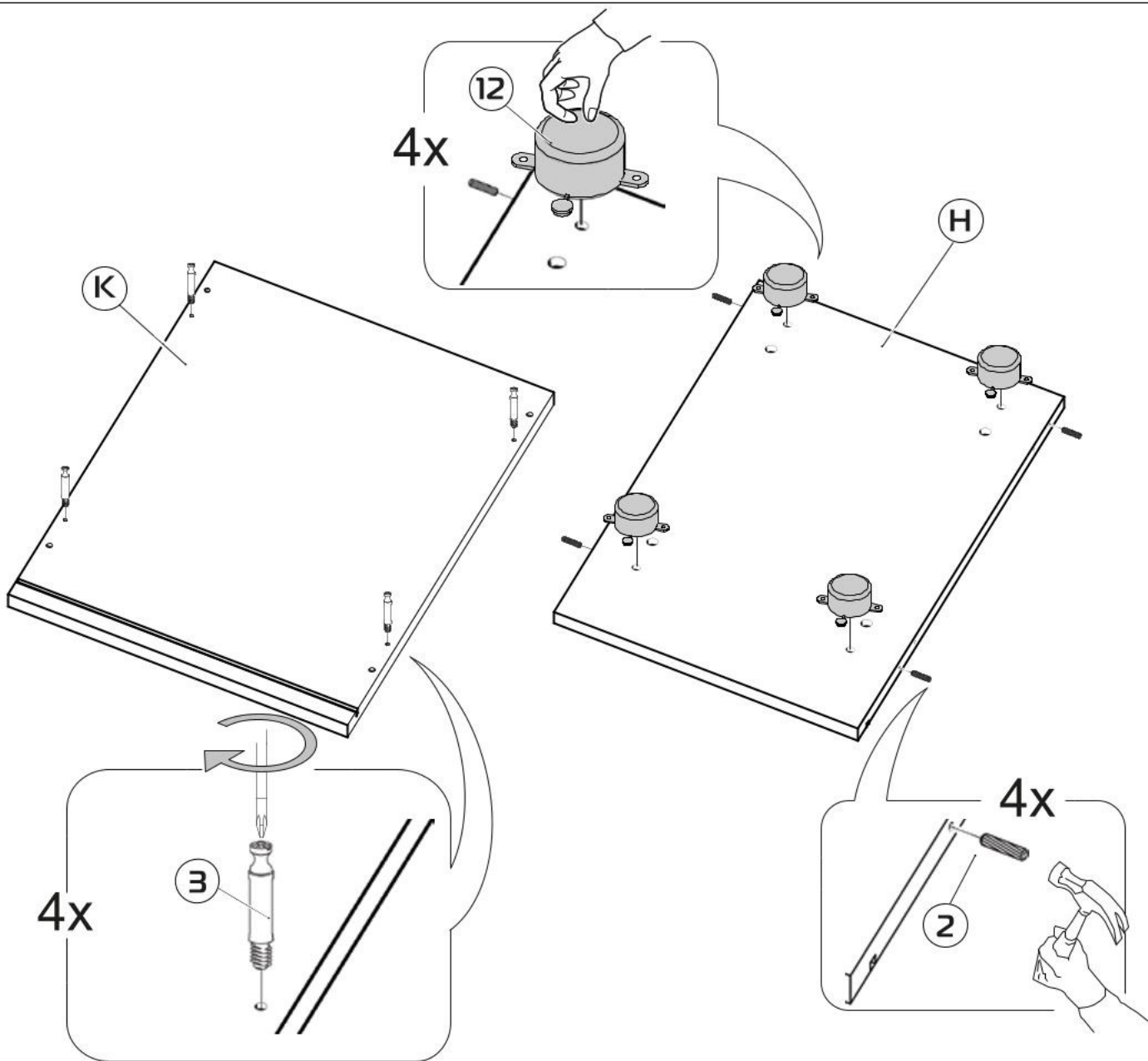
Ⓜ 681010.007 469x300x4 (x1)

1:1

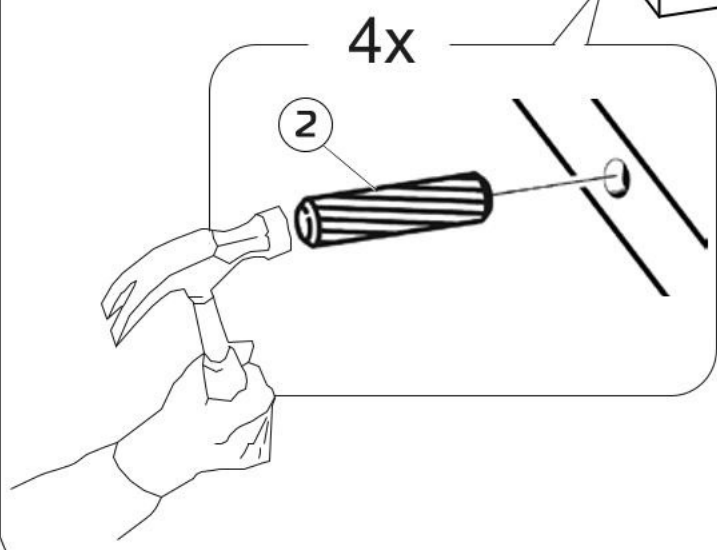
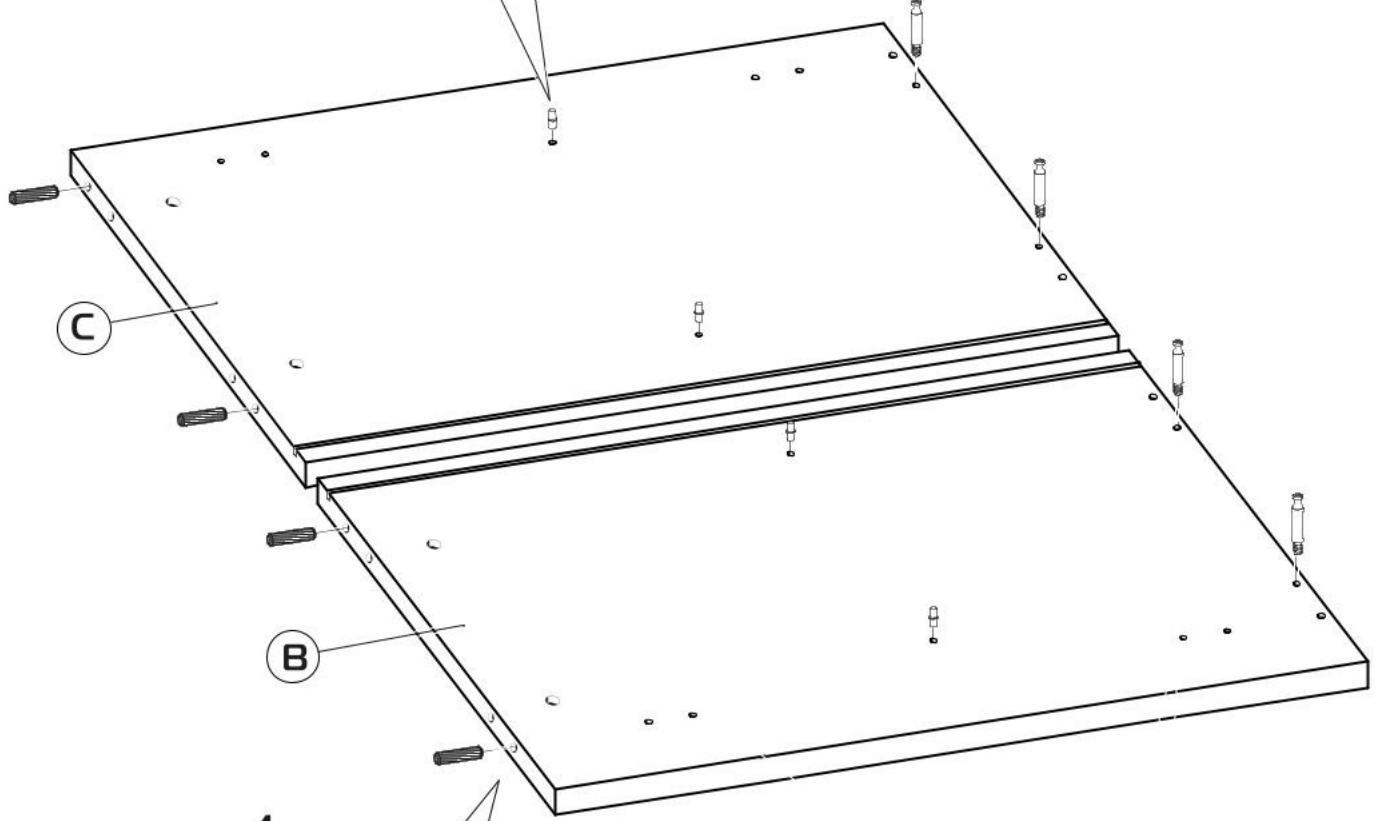
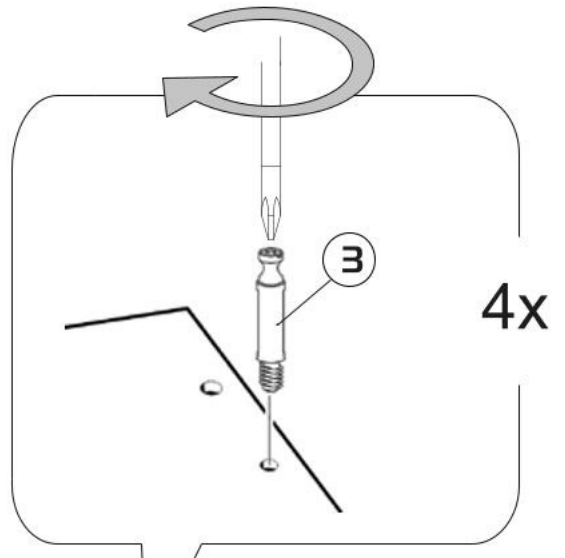
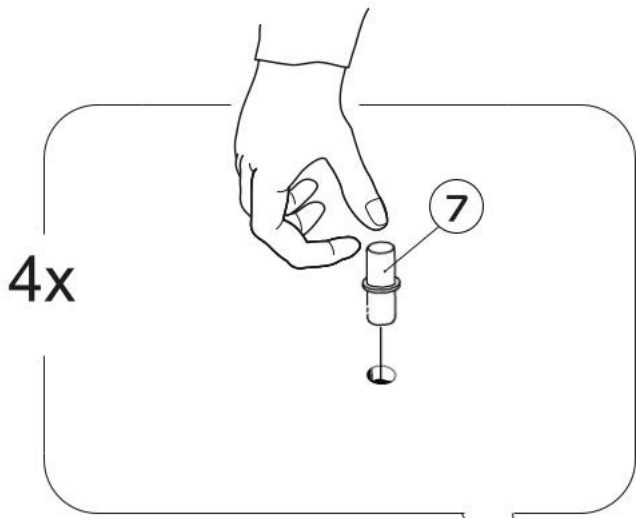




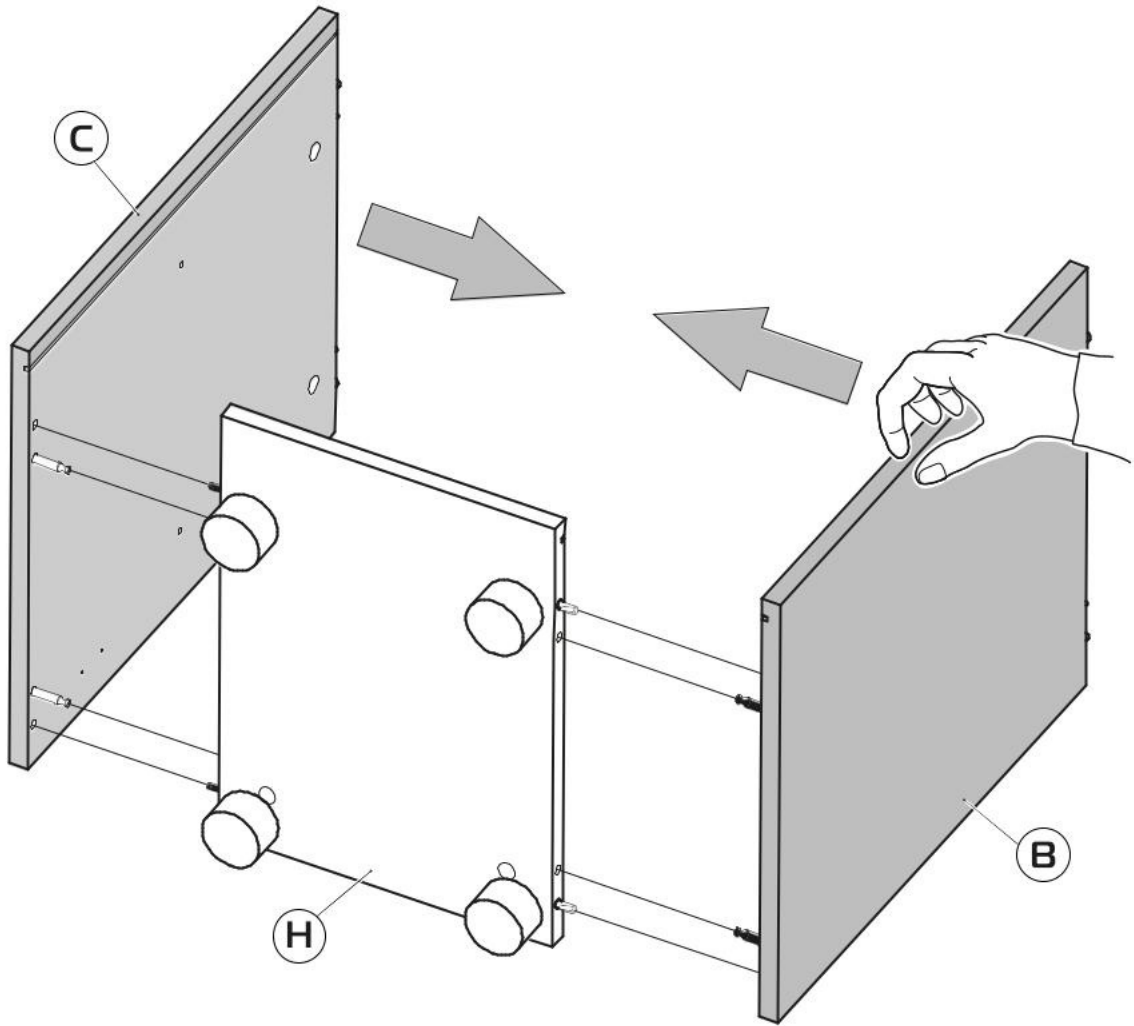
1



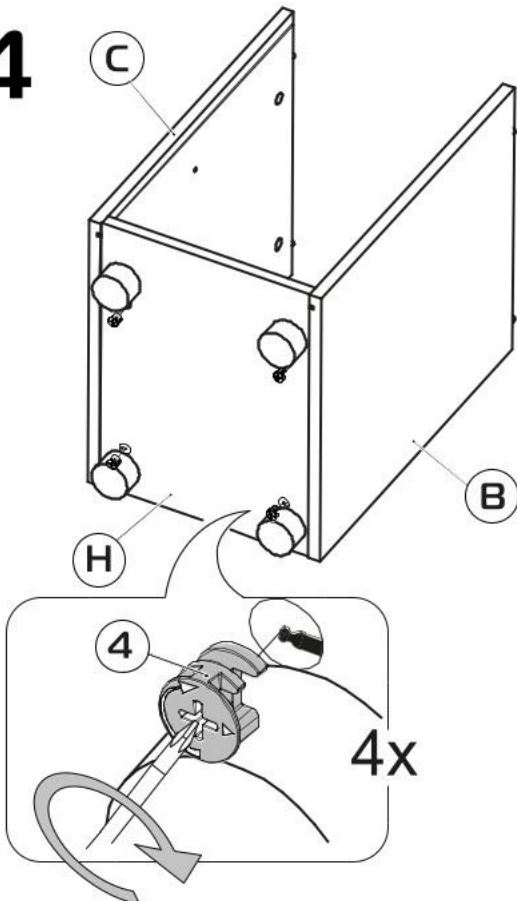
2



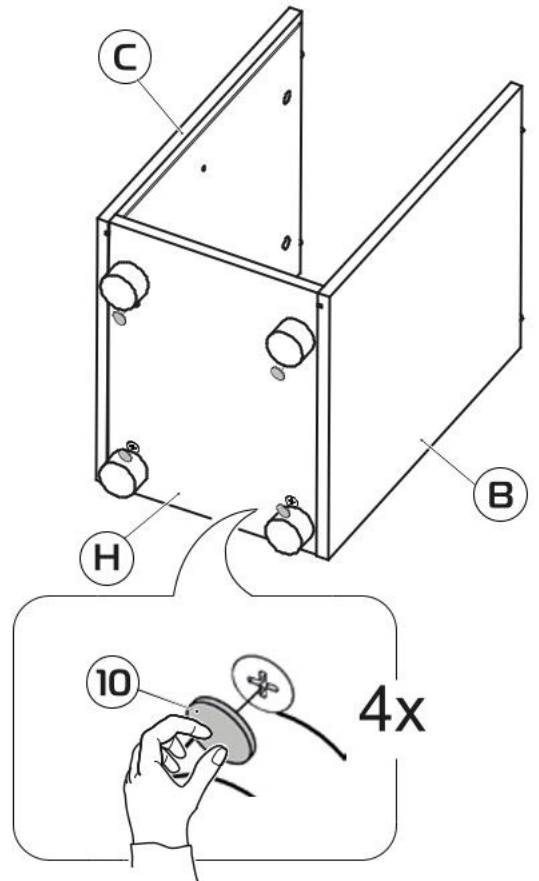
3



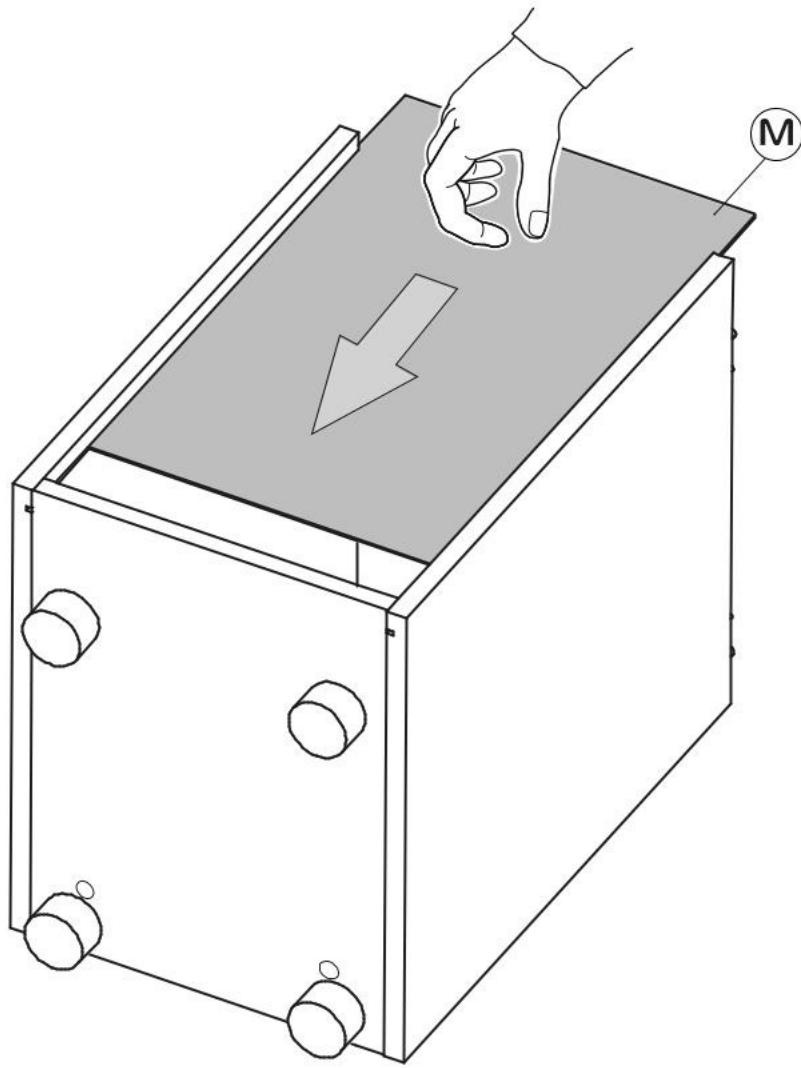
4



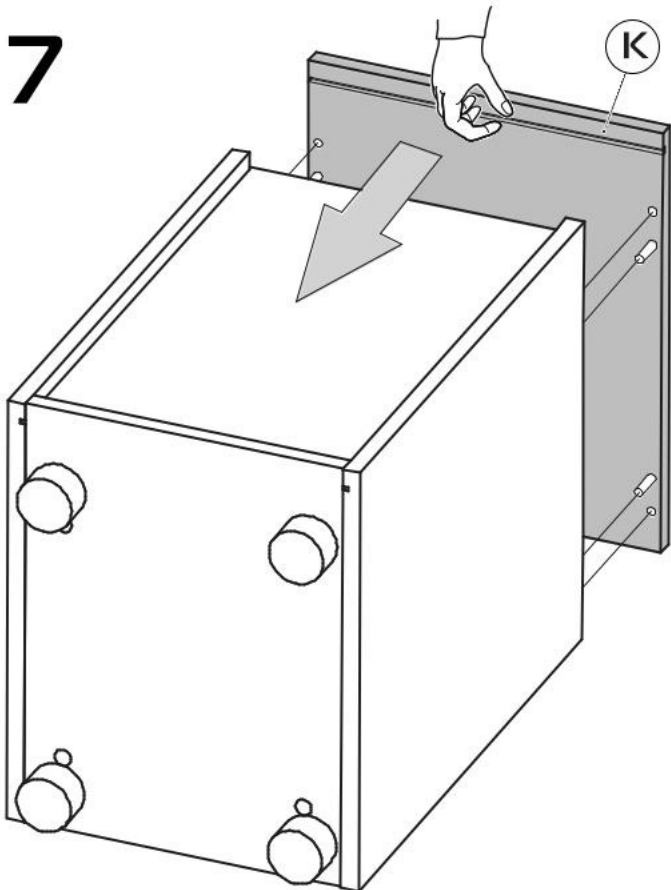
5



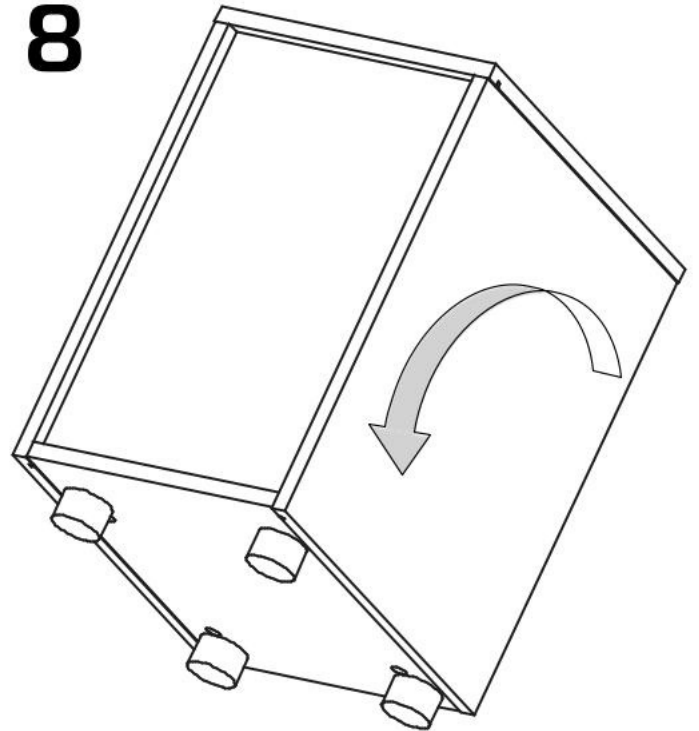
6



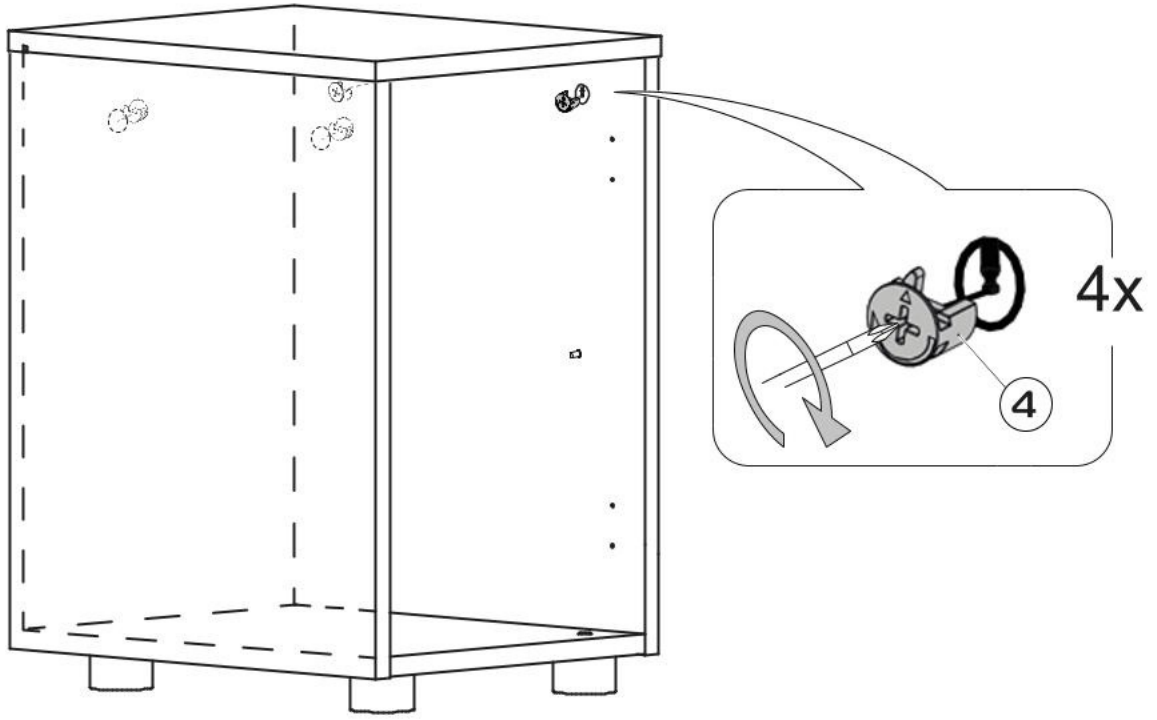
7



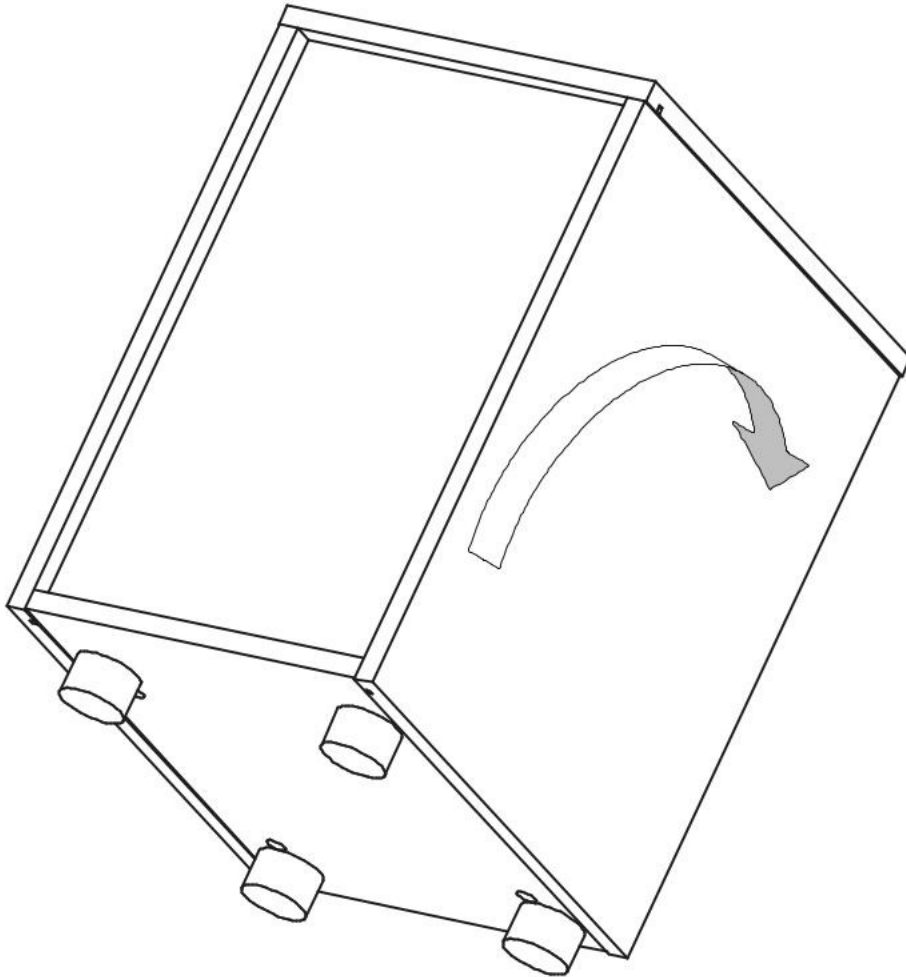
8



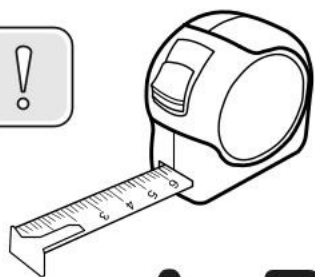
9



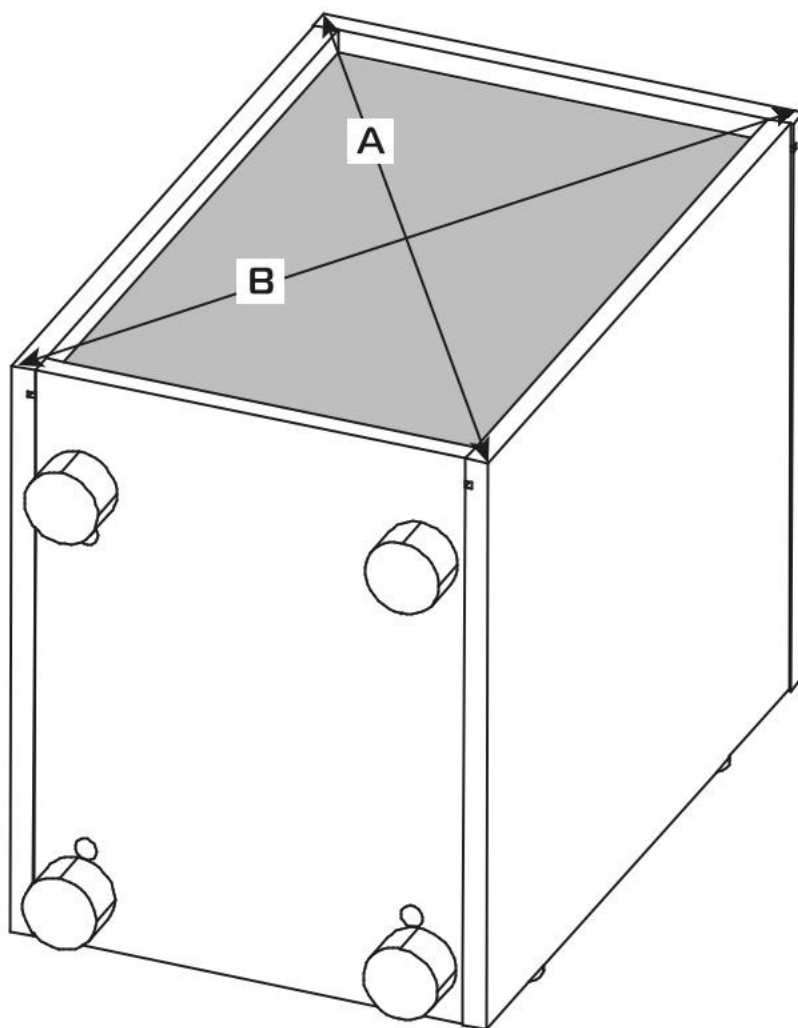
10



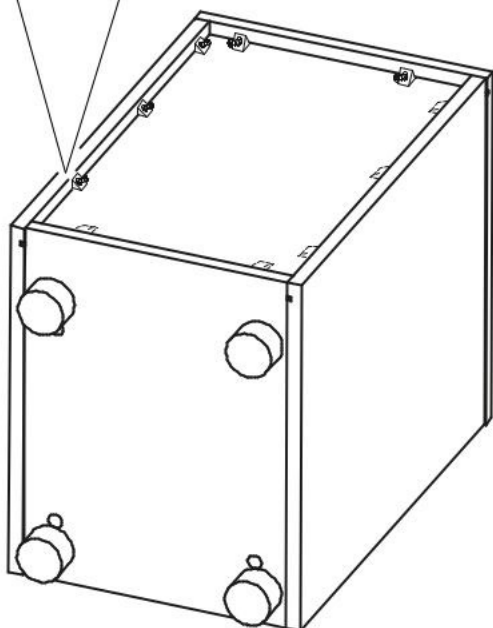
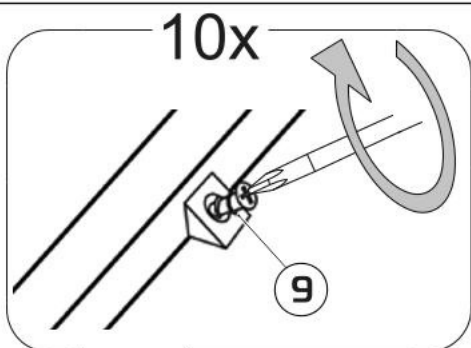
11



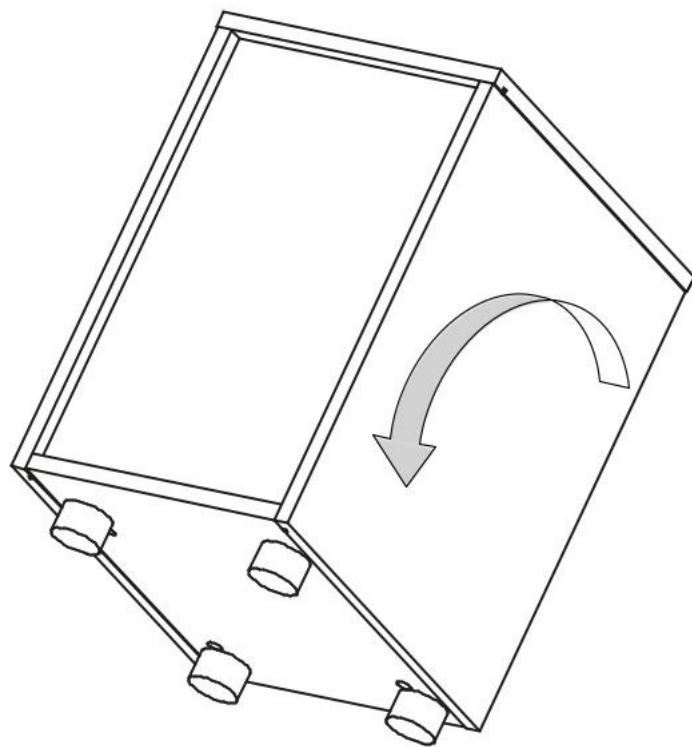
A=B

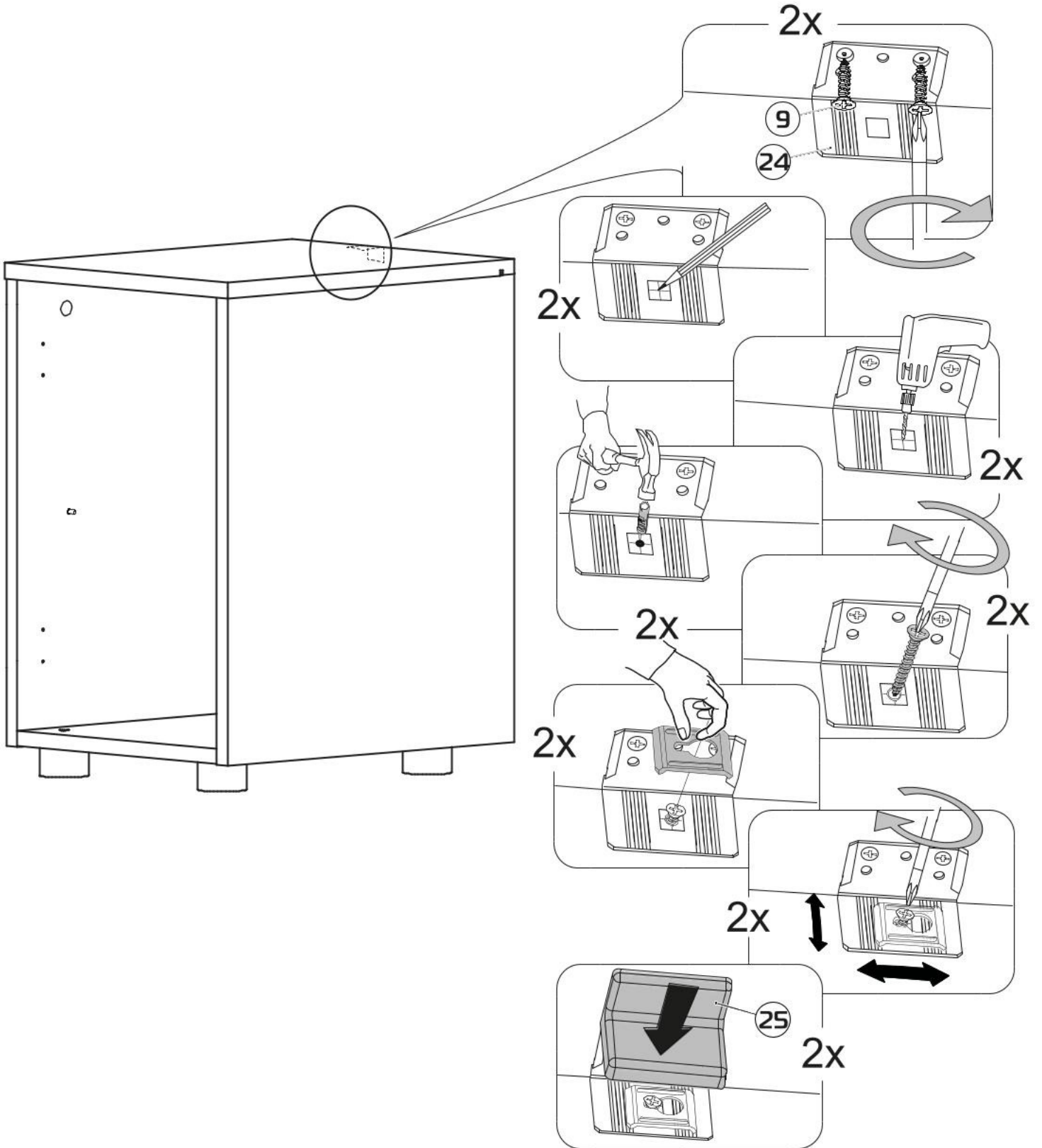


12

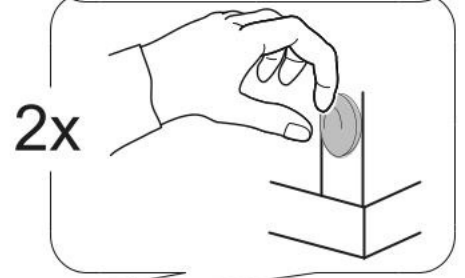
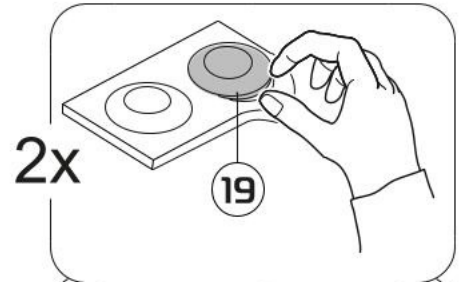
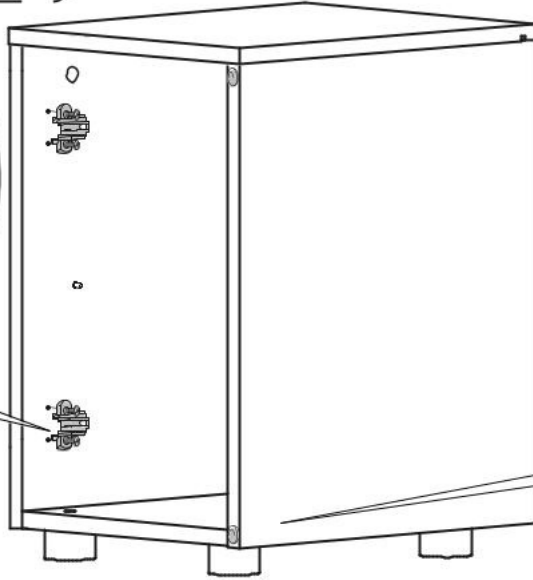
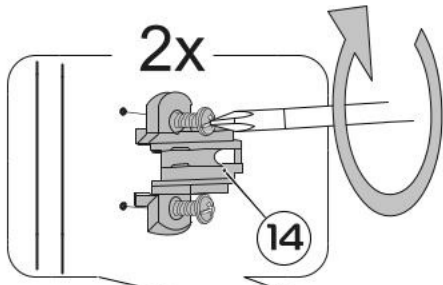
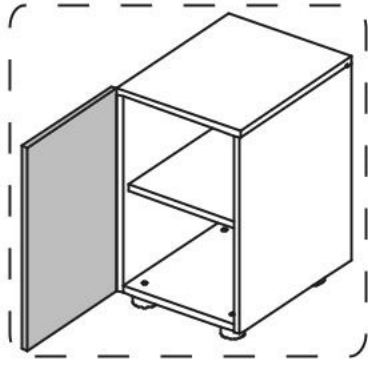


13

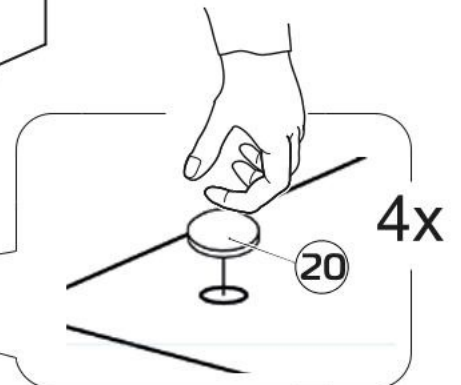
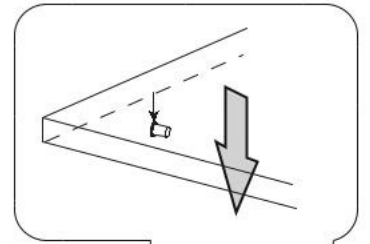
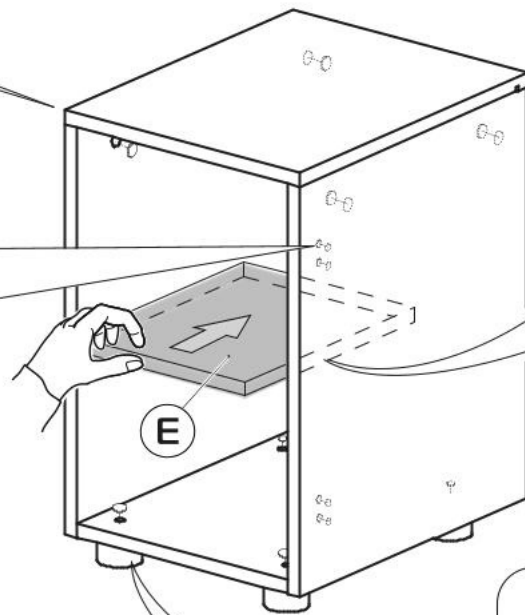
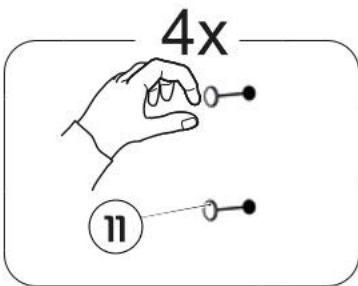
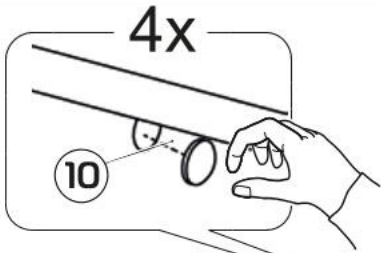




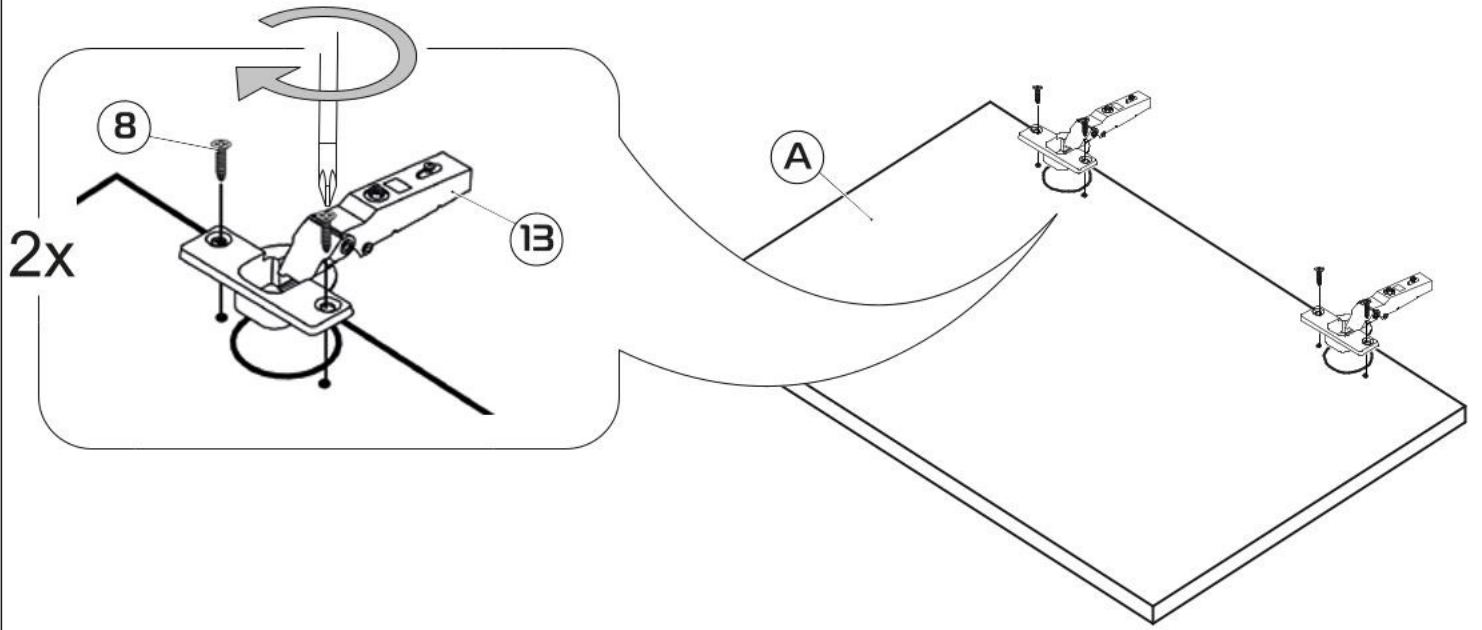
15



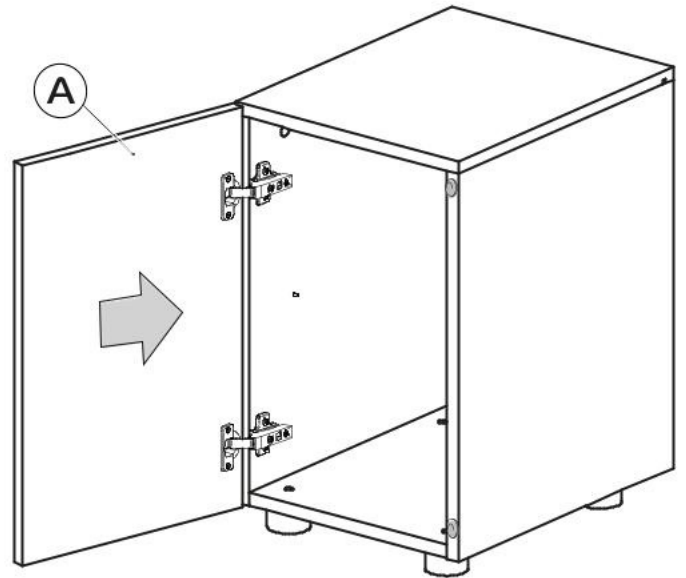
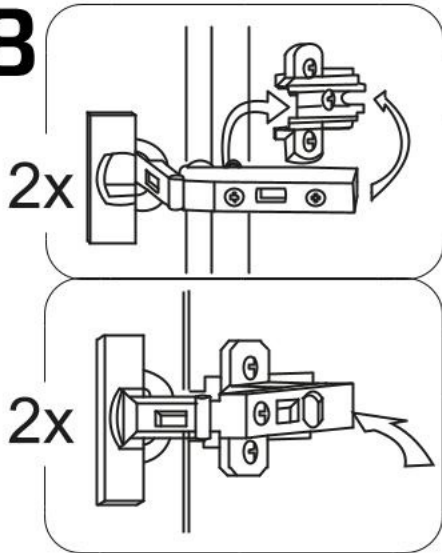
16



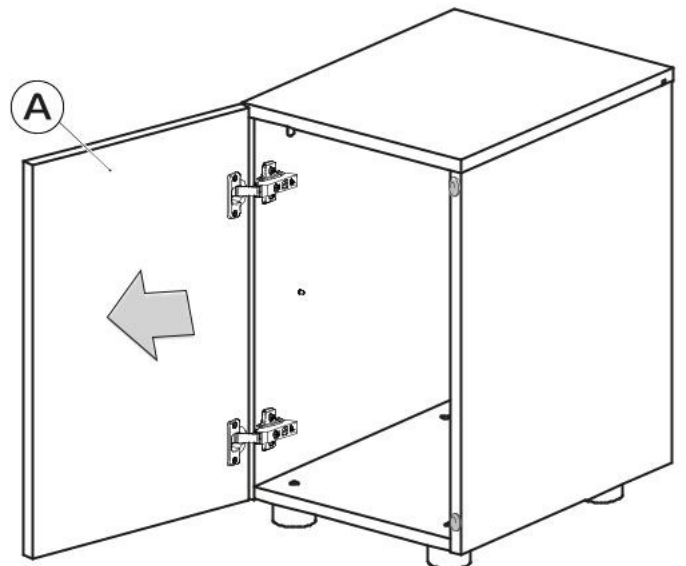
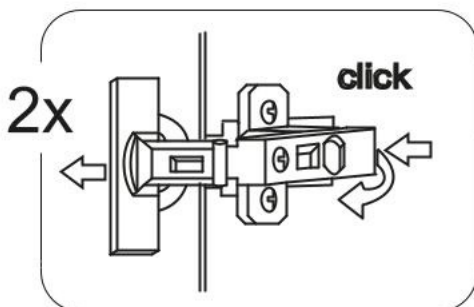
17



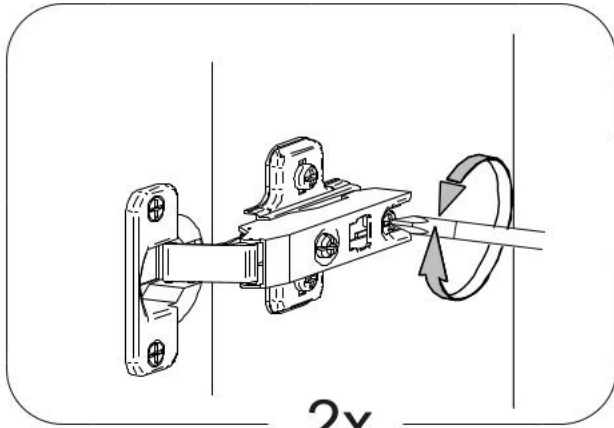
18



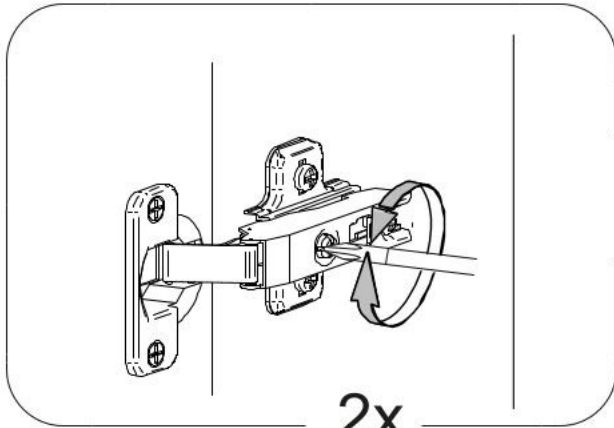
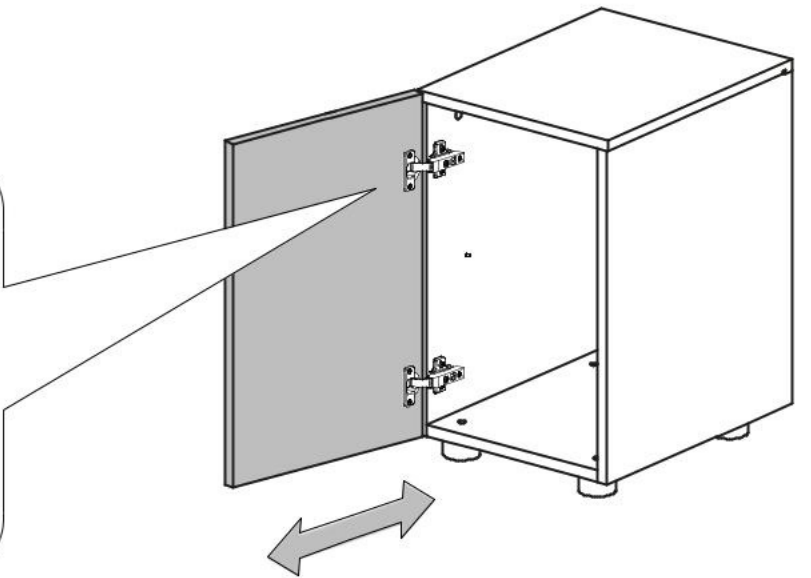
19



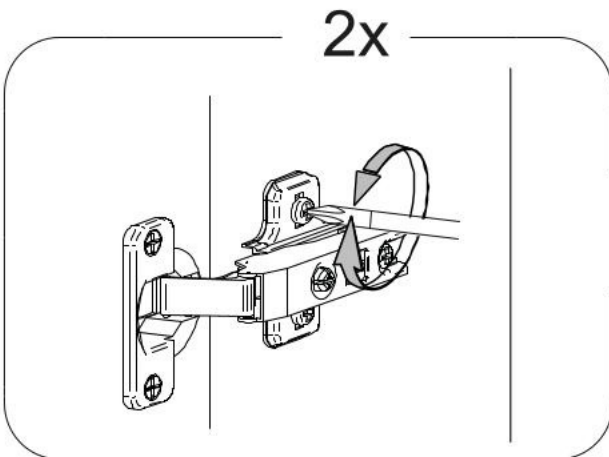
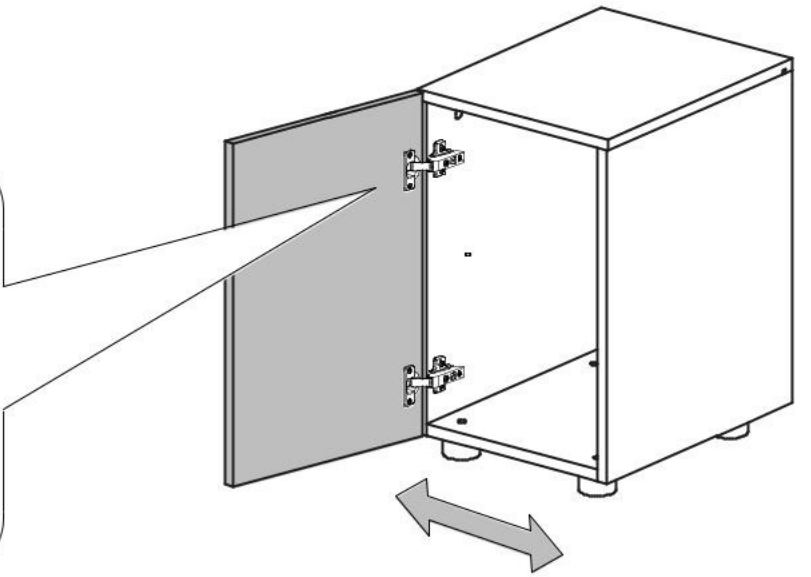
20



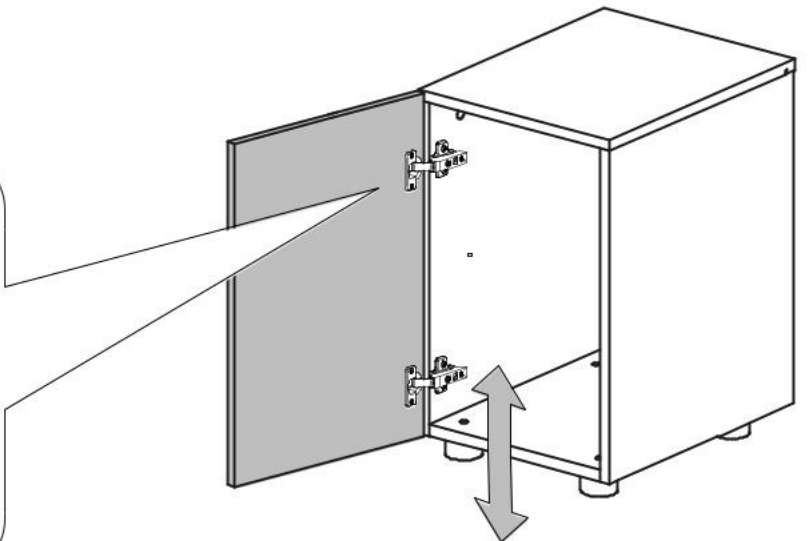
2x



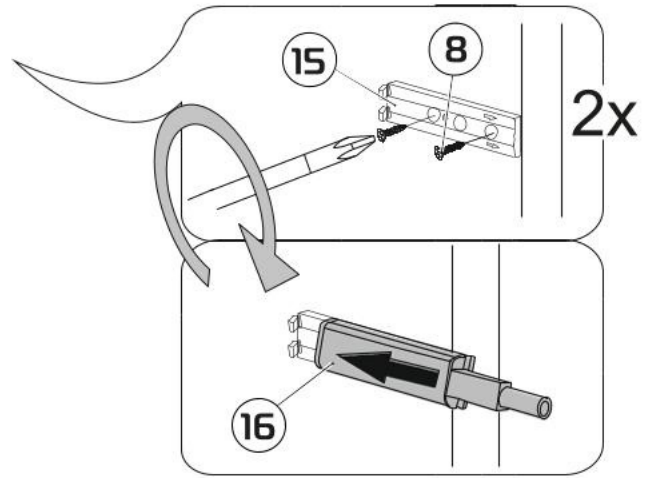
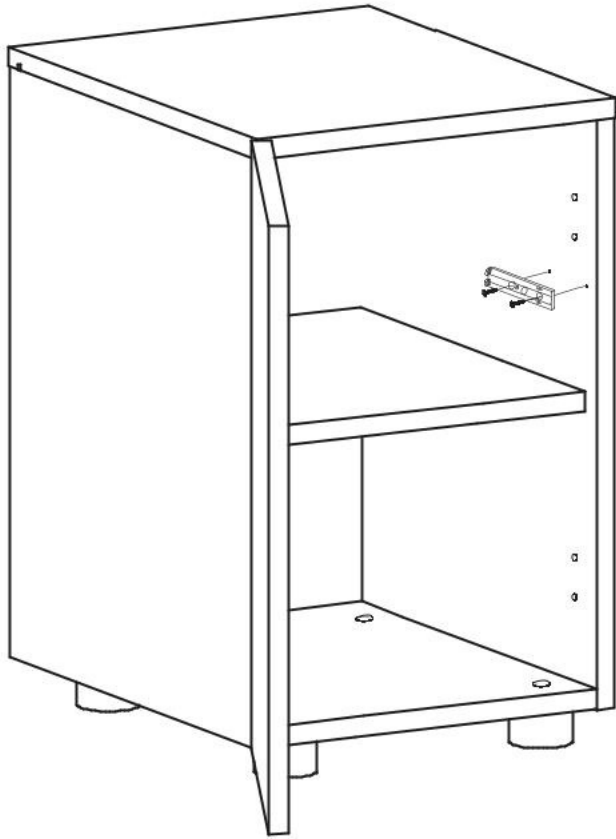
2x



2x

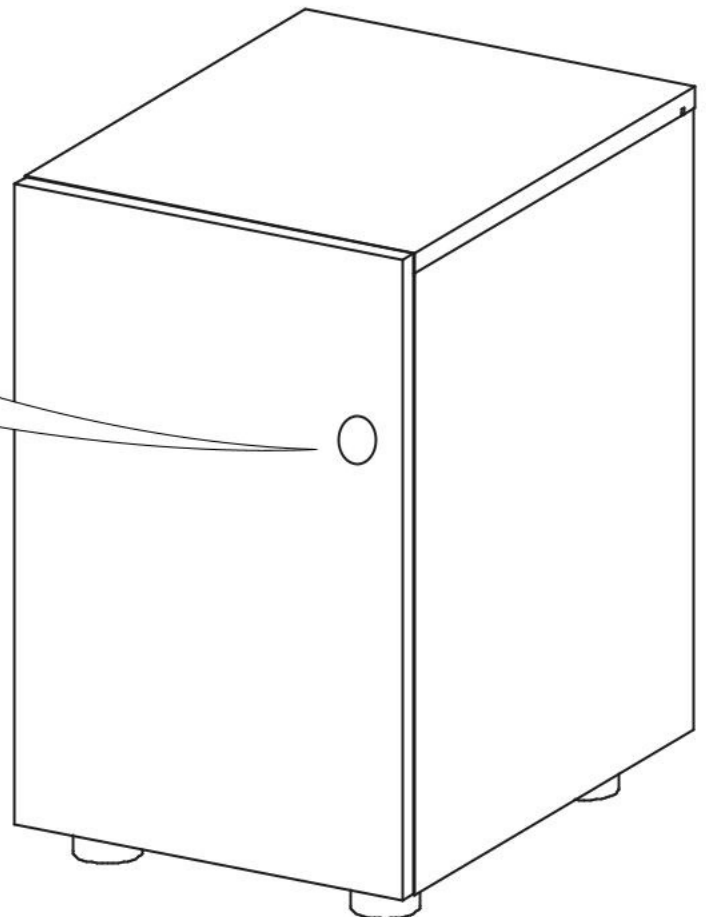
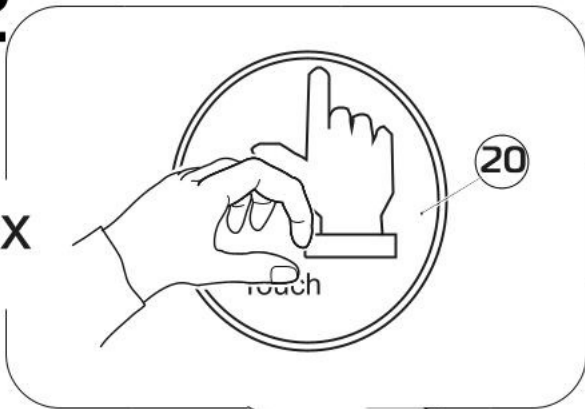


21

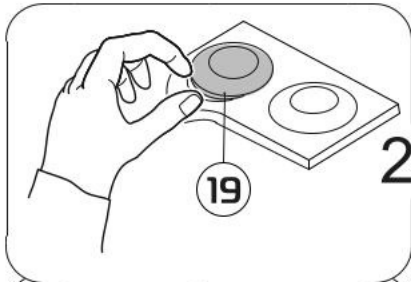


22

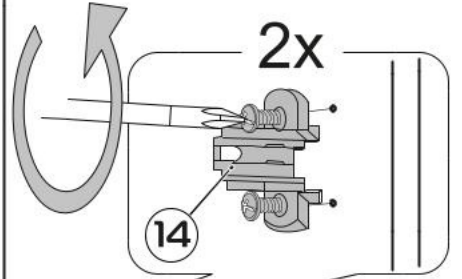
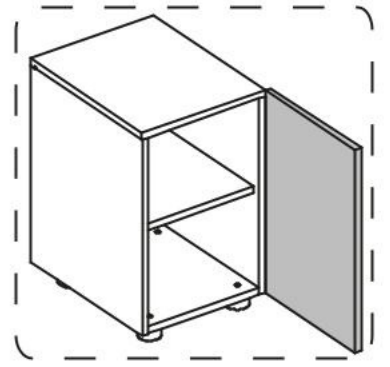
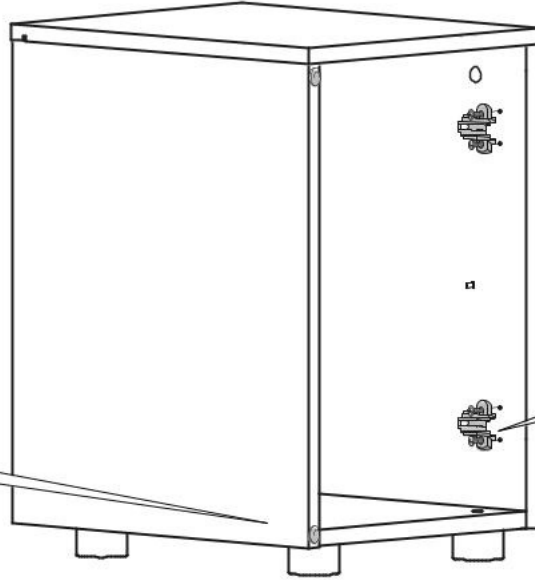
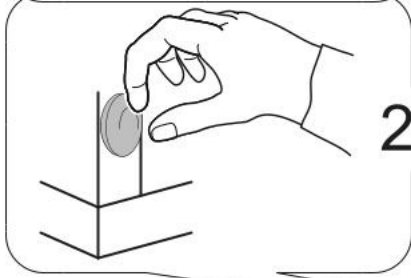
1x



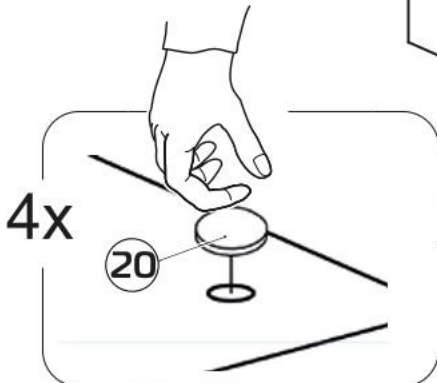
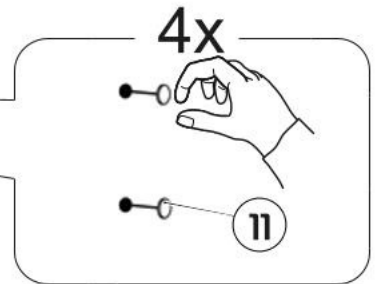
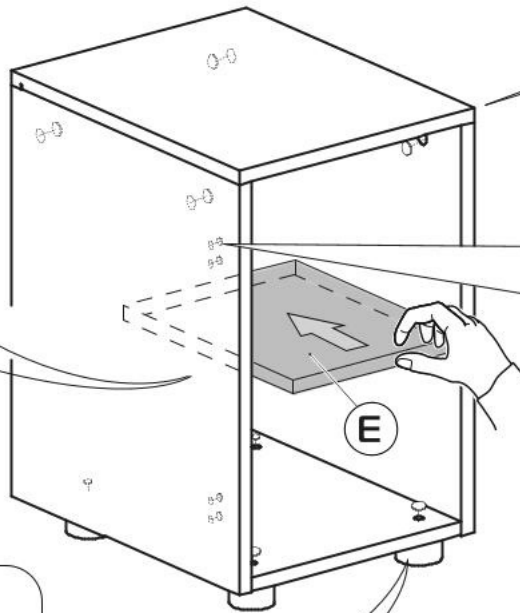
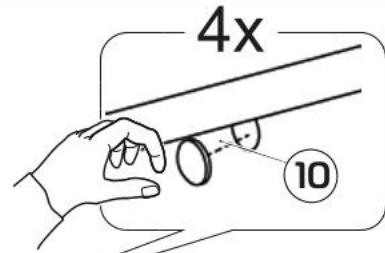
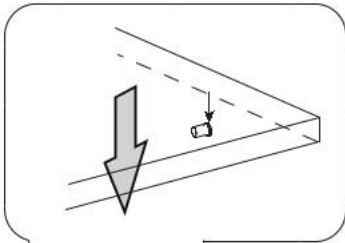
23



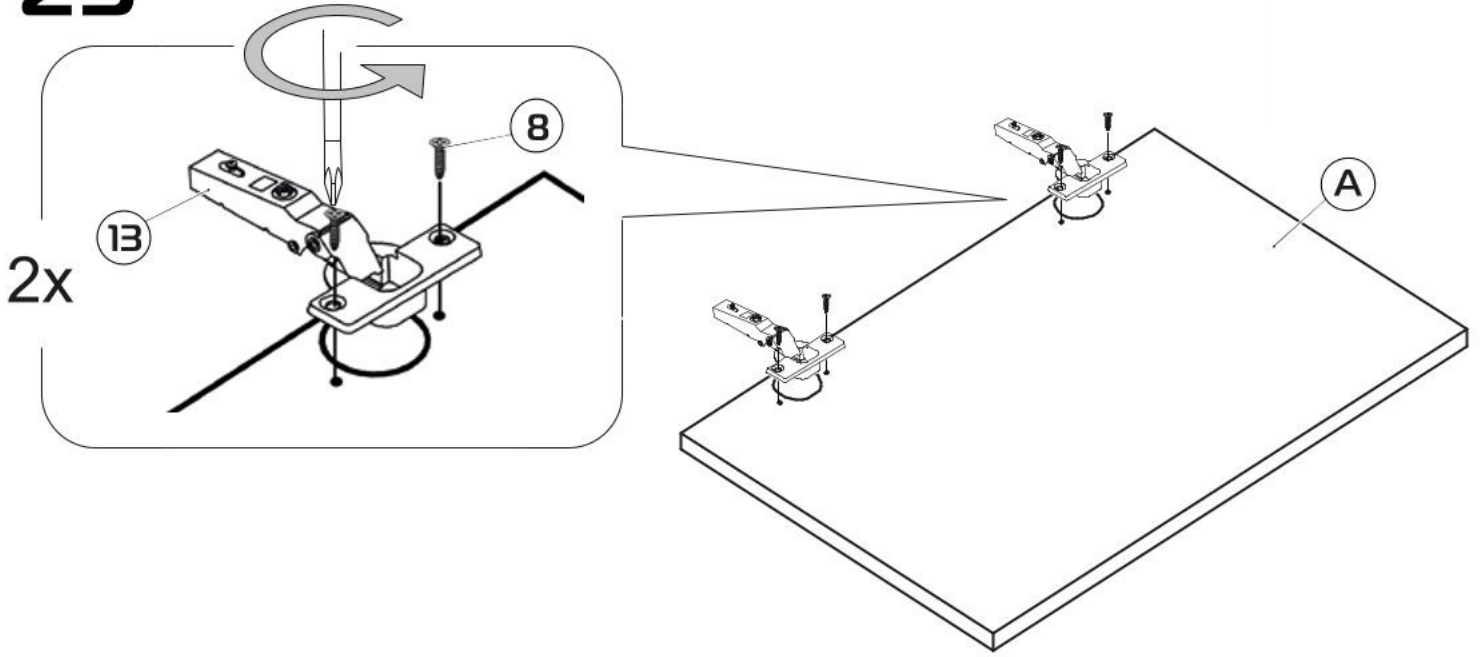
2x



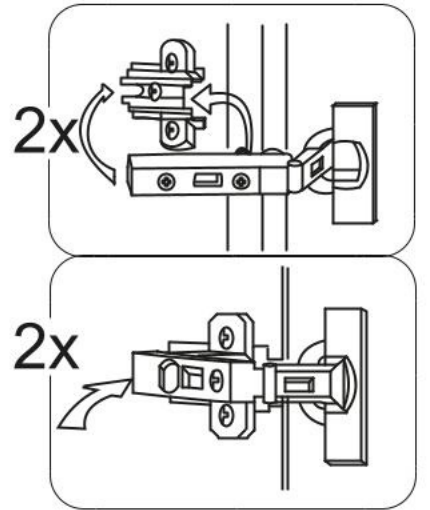
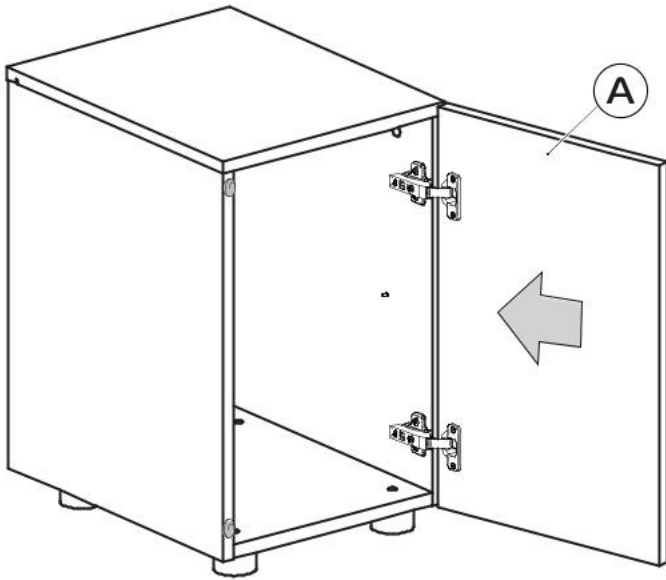
24



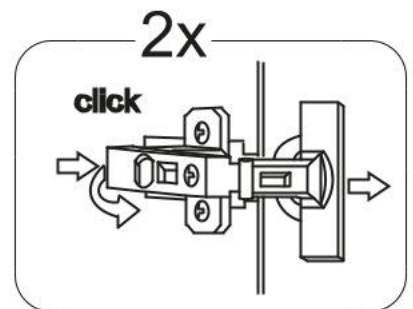
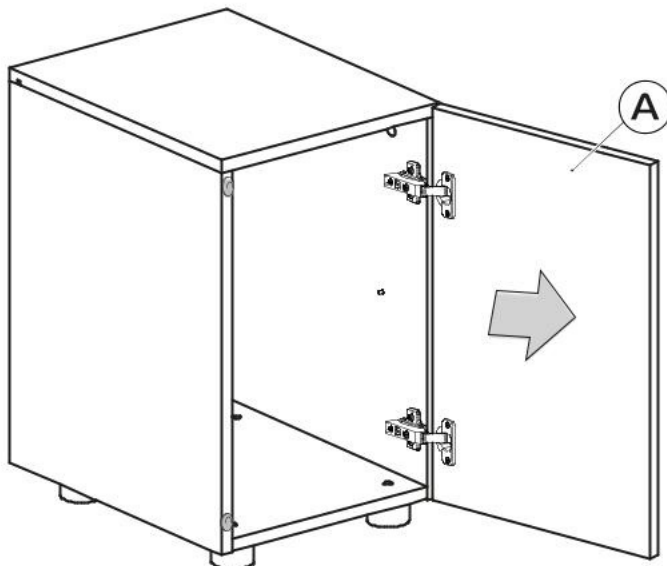
25



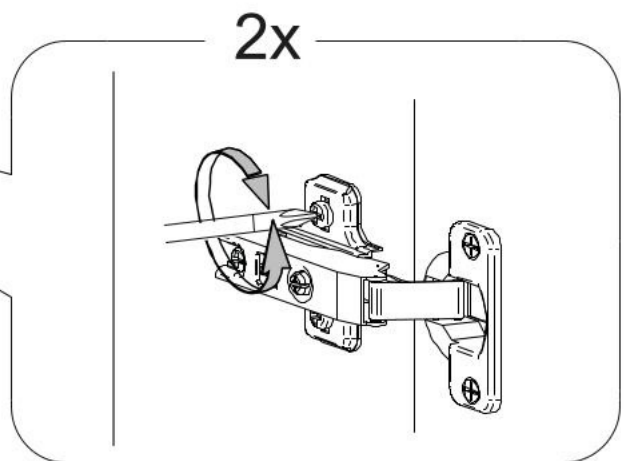
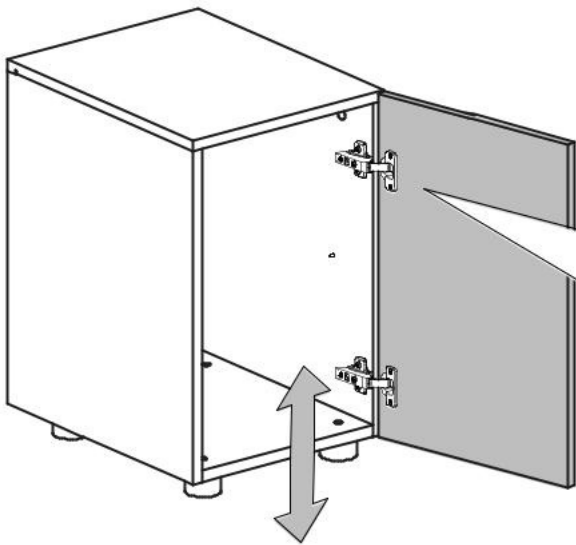
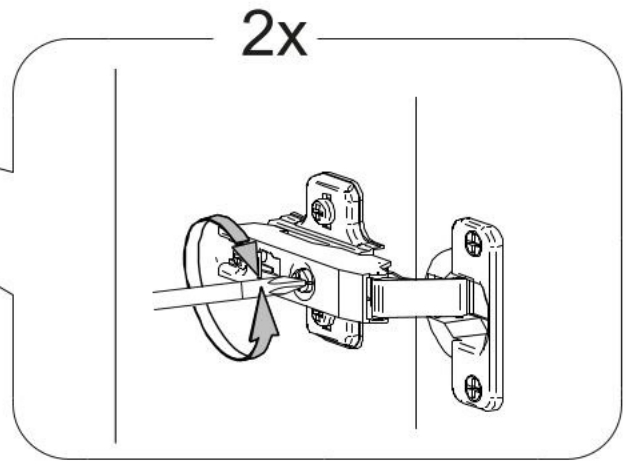
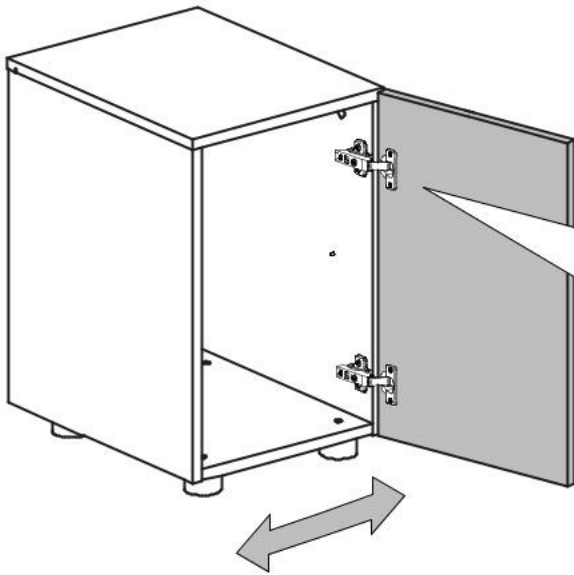
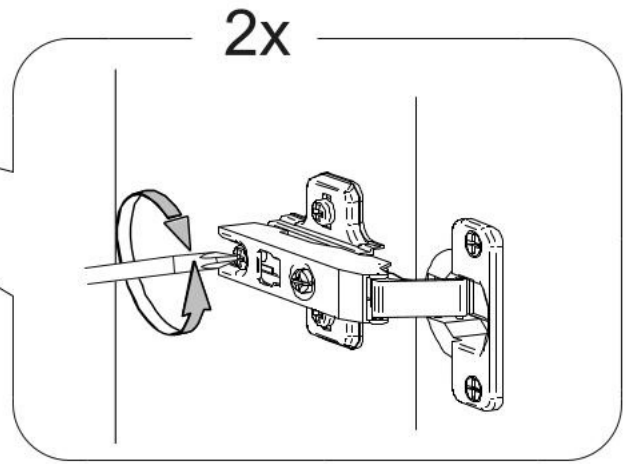
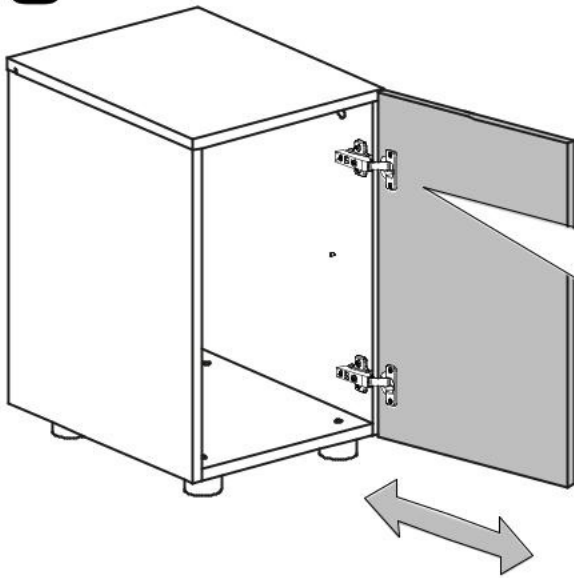
26



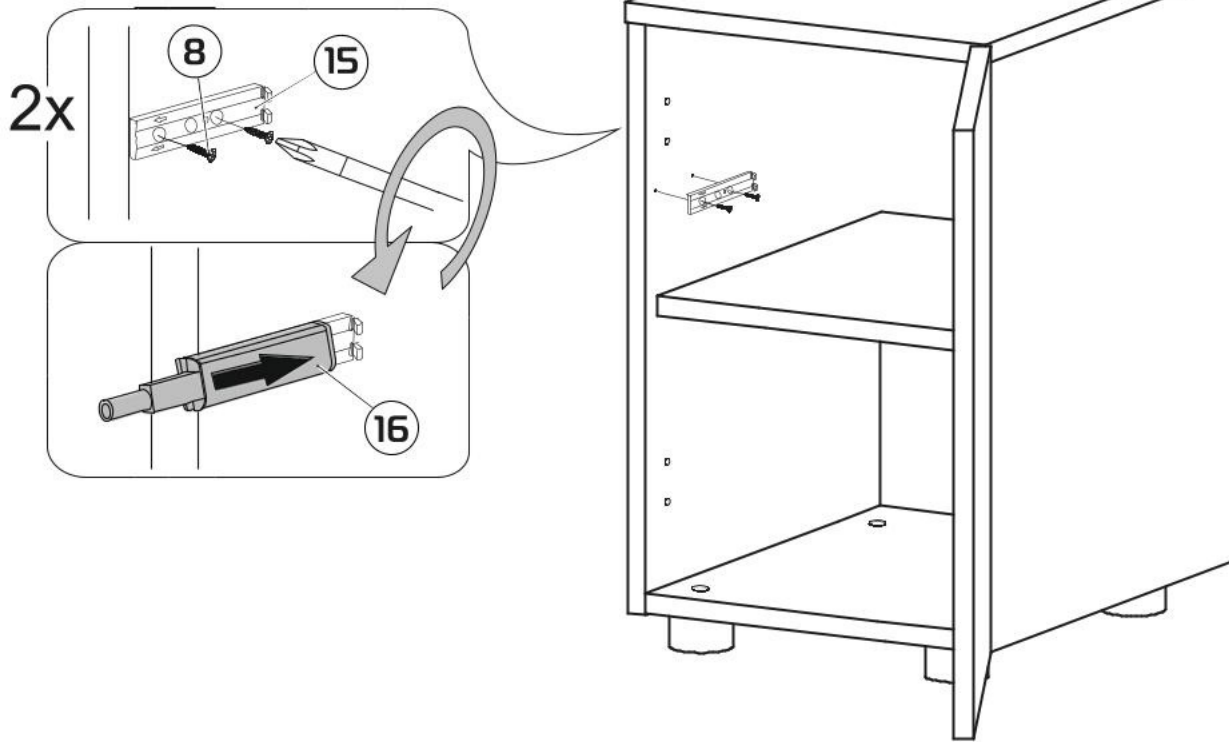
27



28



29



30

