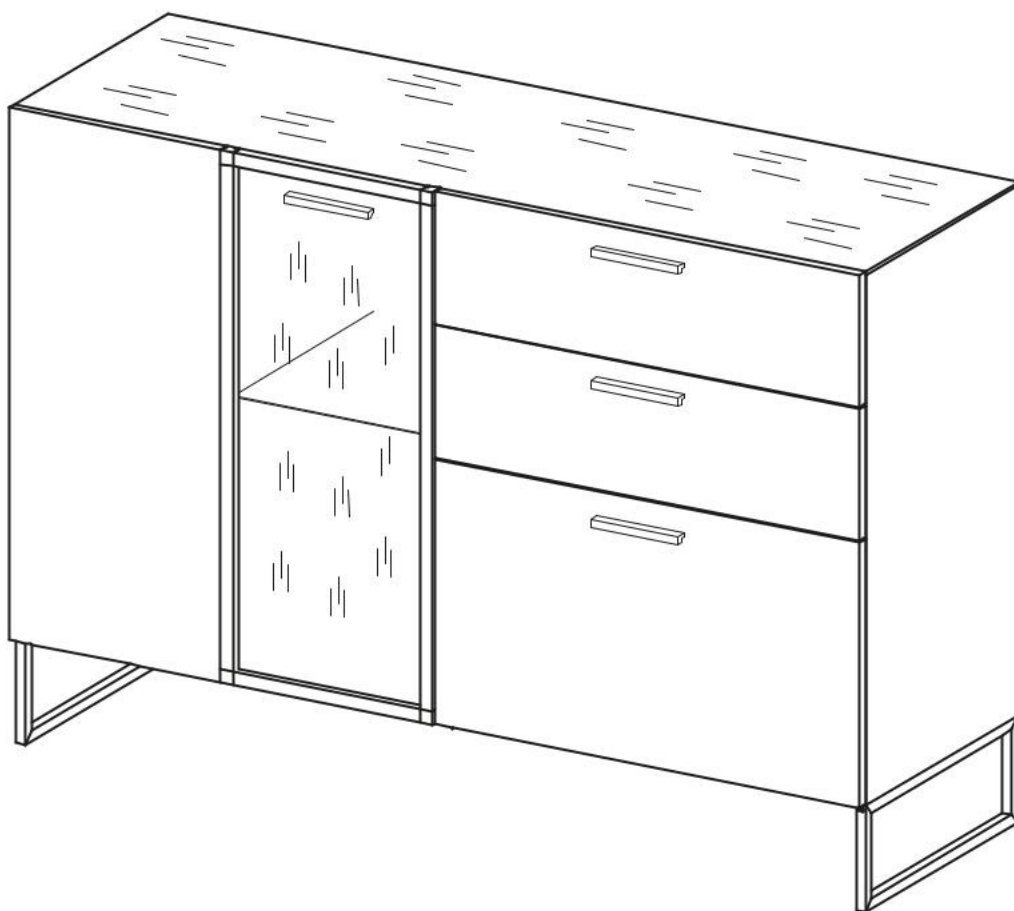
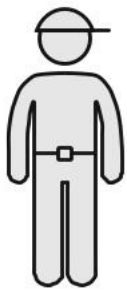


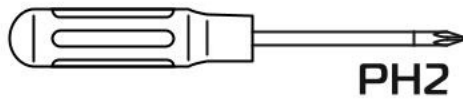
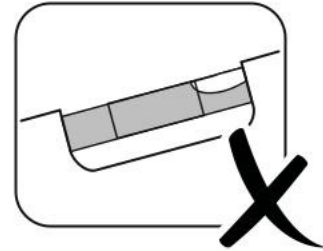
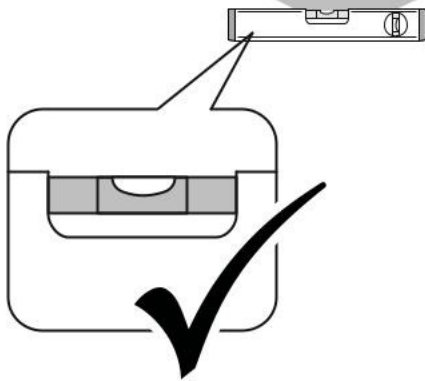
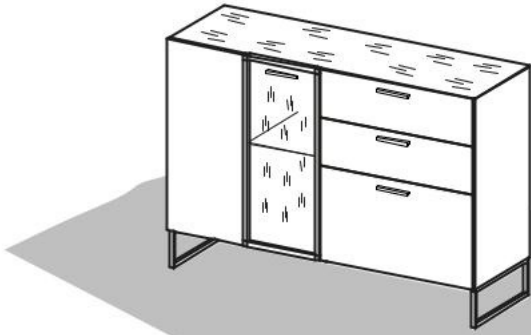
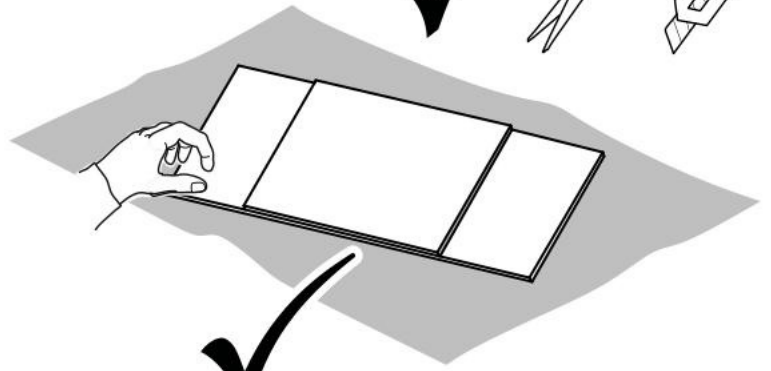
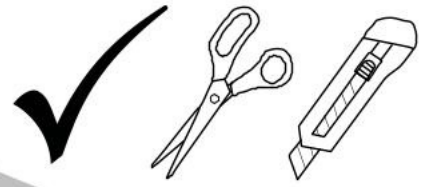
# Kombinovaná komoda s prosklením - dub halifax/šedá

## OSVALD

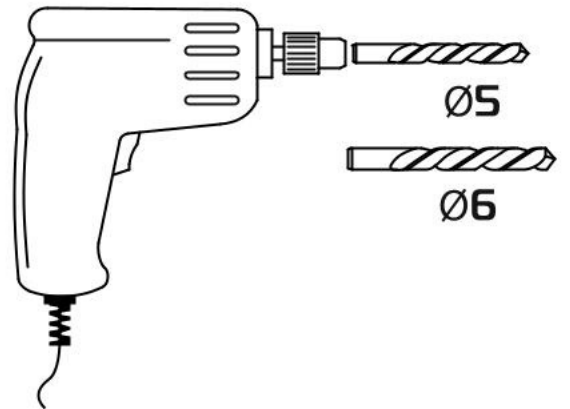
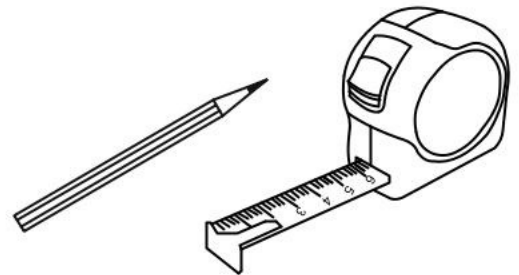
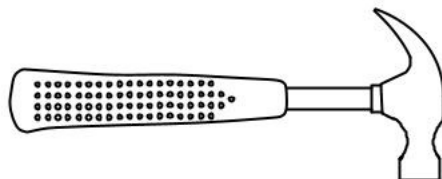
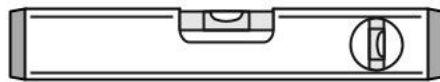
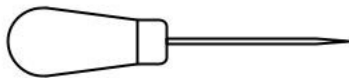


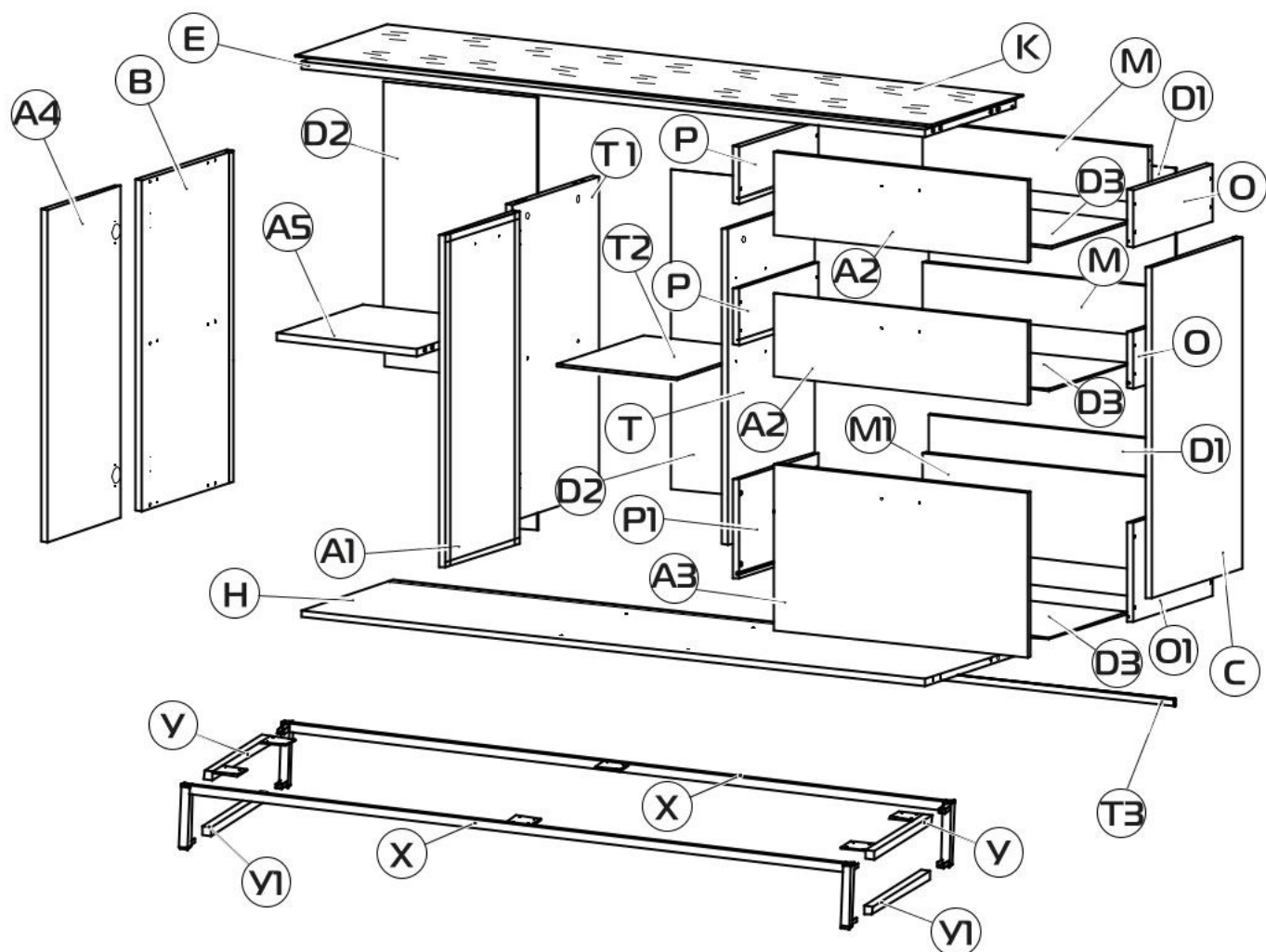


30 min



PH2





(A1) 681110.005 749x323x20 (x1)

(A2) 681090.010 186x648x16 (x2)

(A3) 681090.007 373x648x16 (x1)

(A4) 681090.006 749x323x16 (x1)

(A5) 681090.011 309x383x16 (x1)

(B) 681090.004 746x404x16 (x1)

(C) 681090.003 746x404x16 (x1)

(D1) 681090.020 359x629x4 (x2)

(D2) 681110.022 721x320x4 (x2)

(D3) 681090.021 591x357x4 (x3)

(E) 681110.001 1268x403x16 (x1)

(H) 681110.002 1268x403x16 (x1)

(K) 681030.011 1300x404x4 (x1)

(M) 681090.014 576x114x16 (x2)

(MI) 681090.009 576x210x16 (x1)

(O) 681090.017 350x128x16 (x2)

(OI) 681090.012 350x224x16 (x1)

(P) 681090.016 350x128x16 (x2)

(PI) 681090.013 350x224x16 (x1)

(T) 681110.003 712x383x16 (x1)

(T1) 681110.004 712x383x16 (x1)

(T2) 681110.021 307x380x6 (x1)

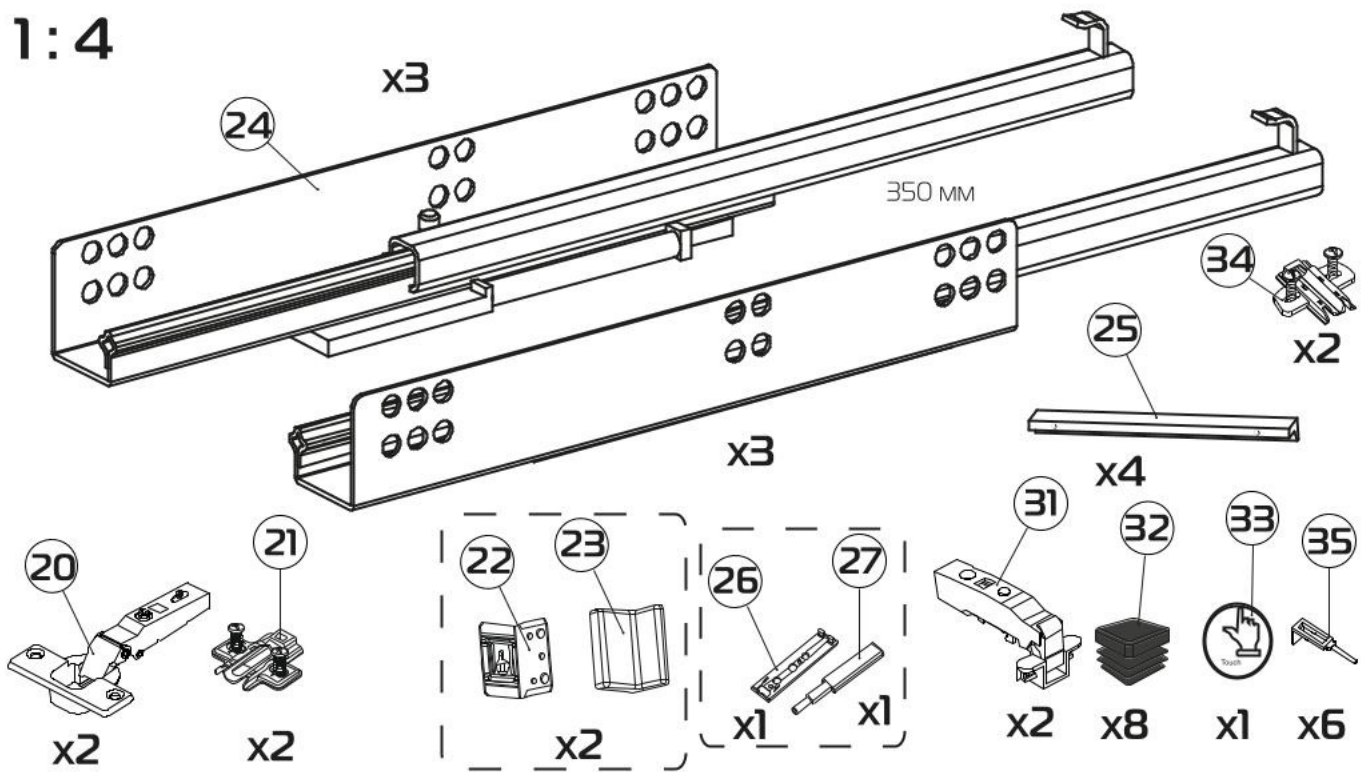
(T3) L-618 (x1)

(X) IP-665 1298x142x20 (x2)

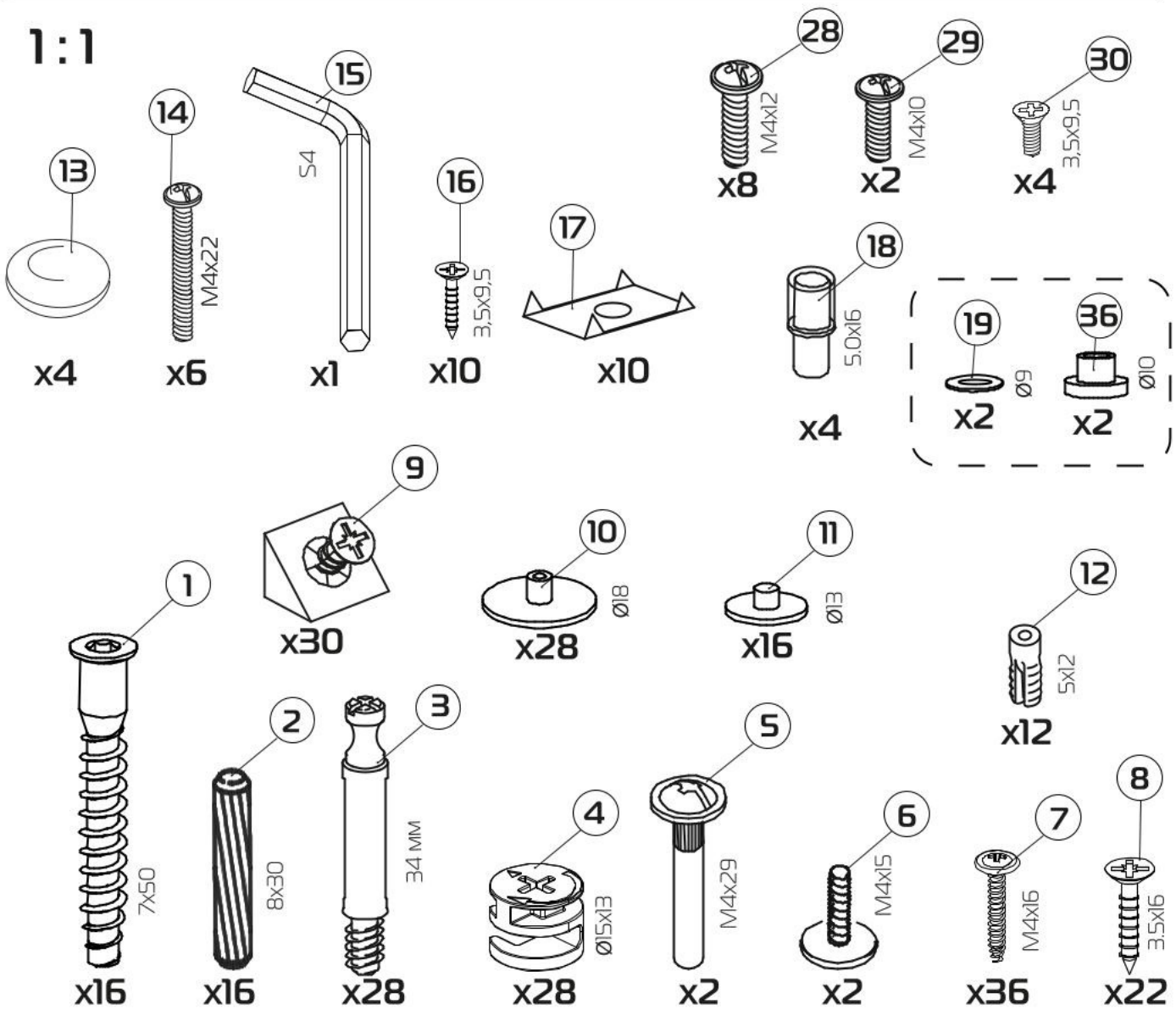
(Y) IP-662.02.00 376x80x20 (x2)

(Y1) IP-662.03.00 376x20x20 (x2)

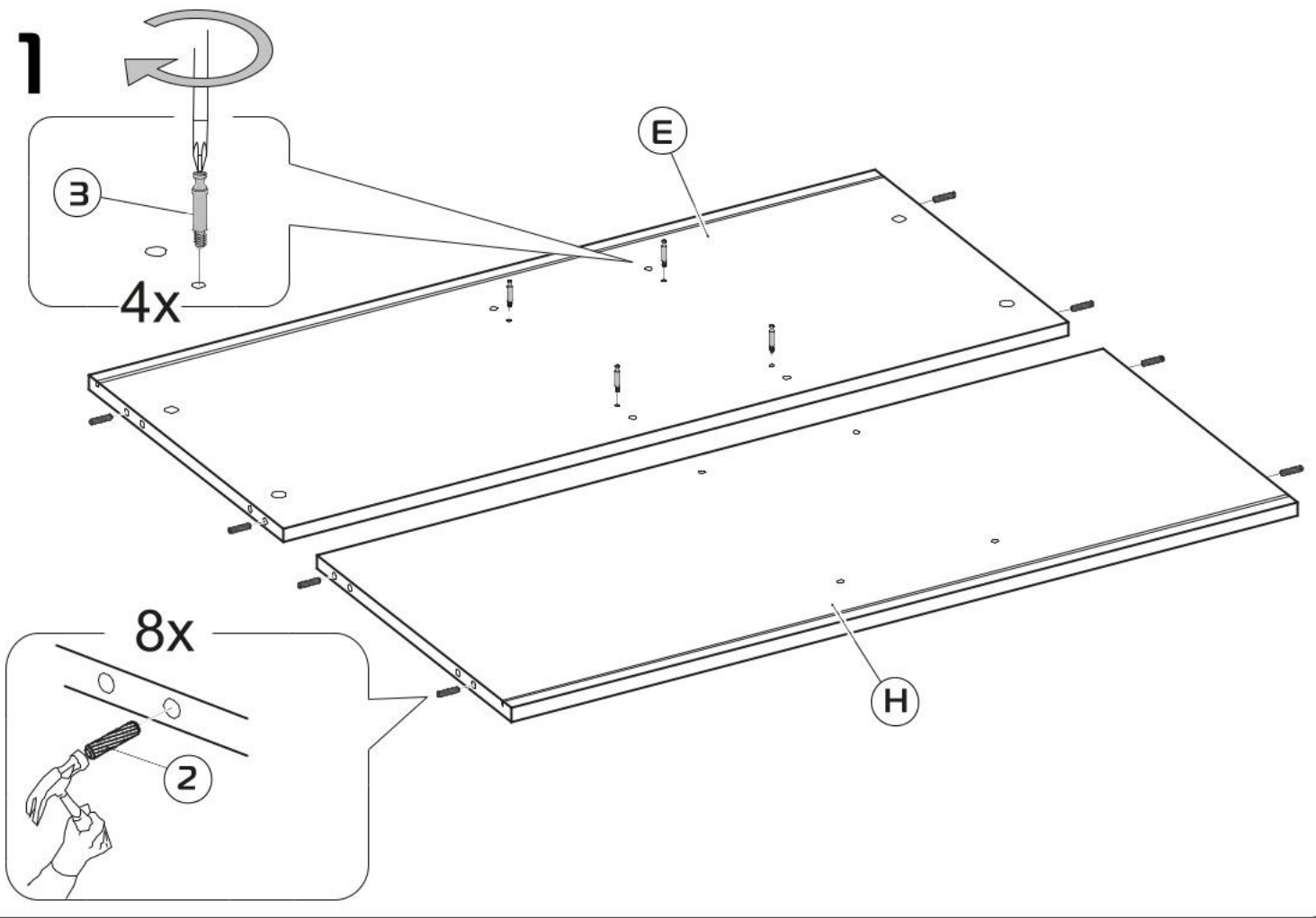
1:4



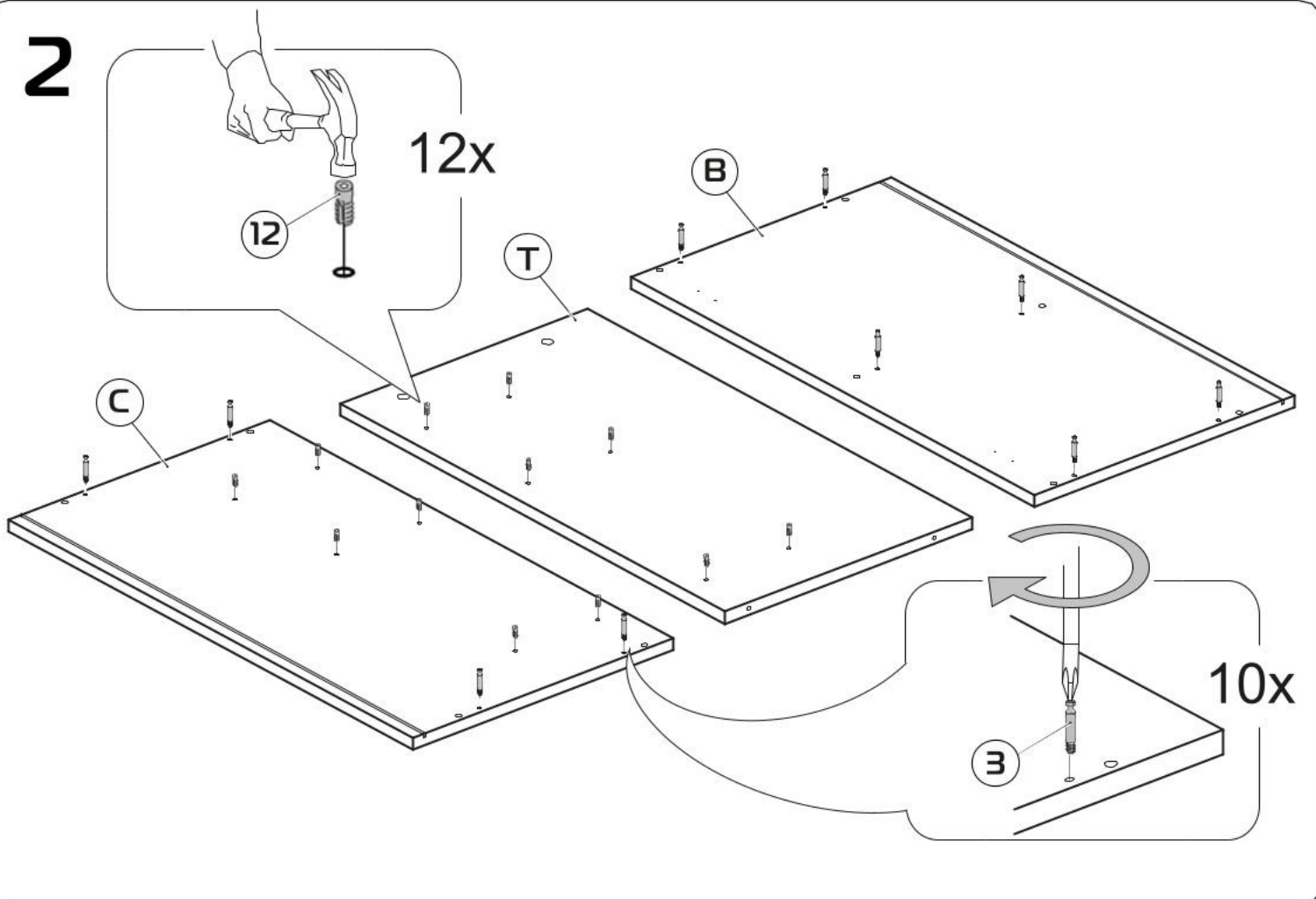
1:1



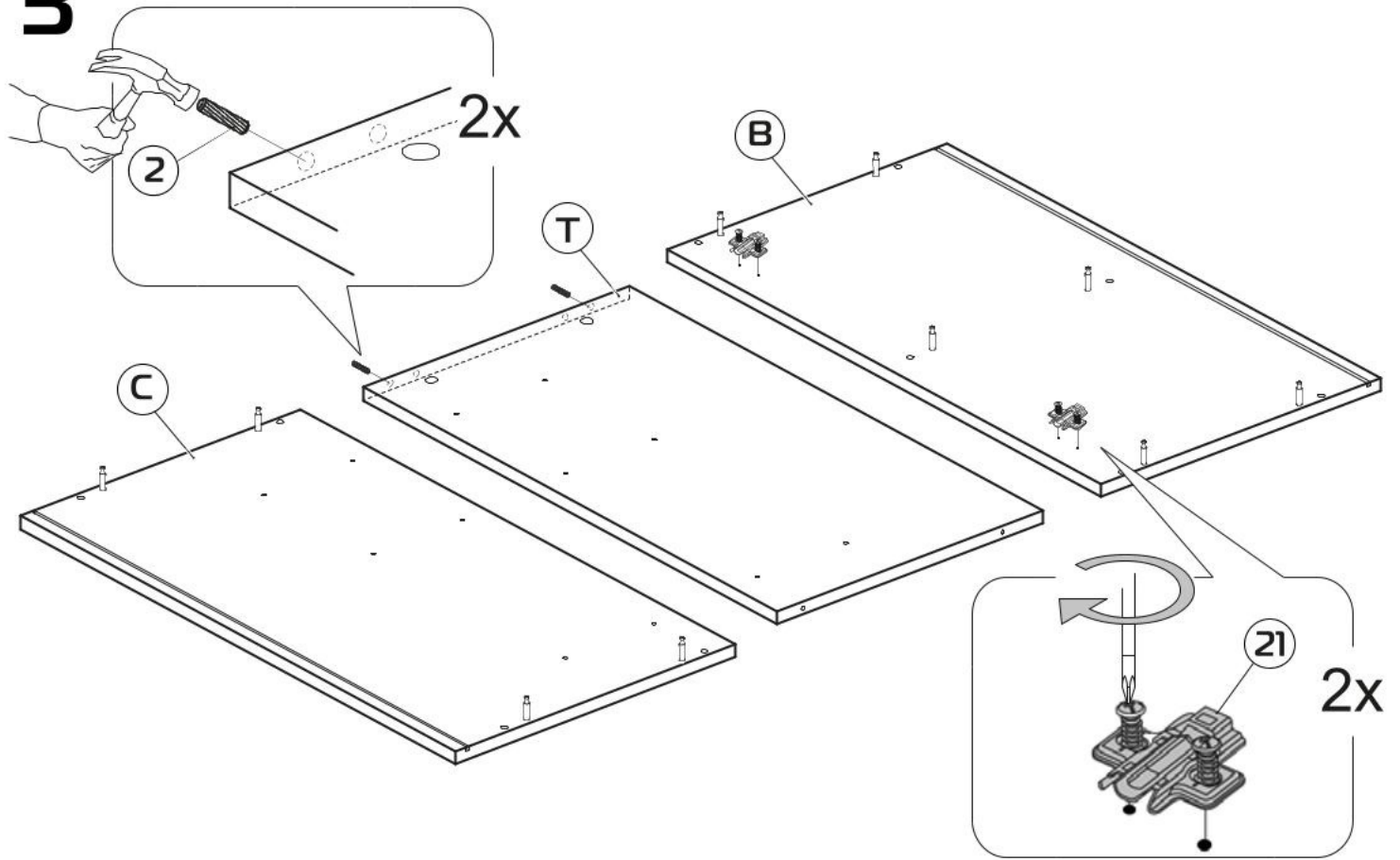
1



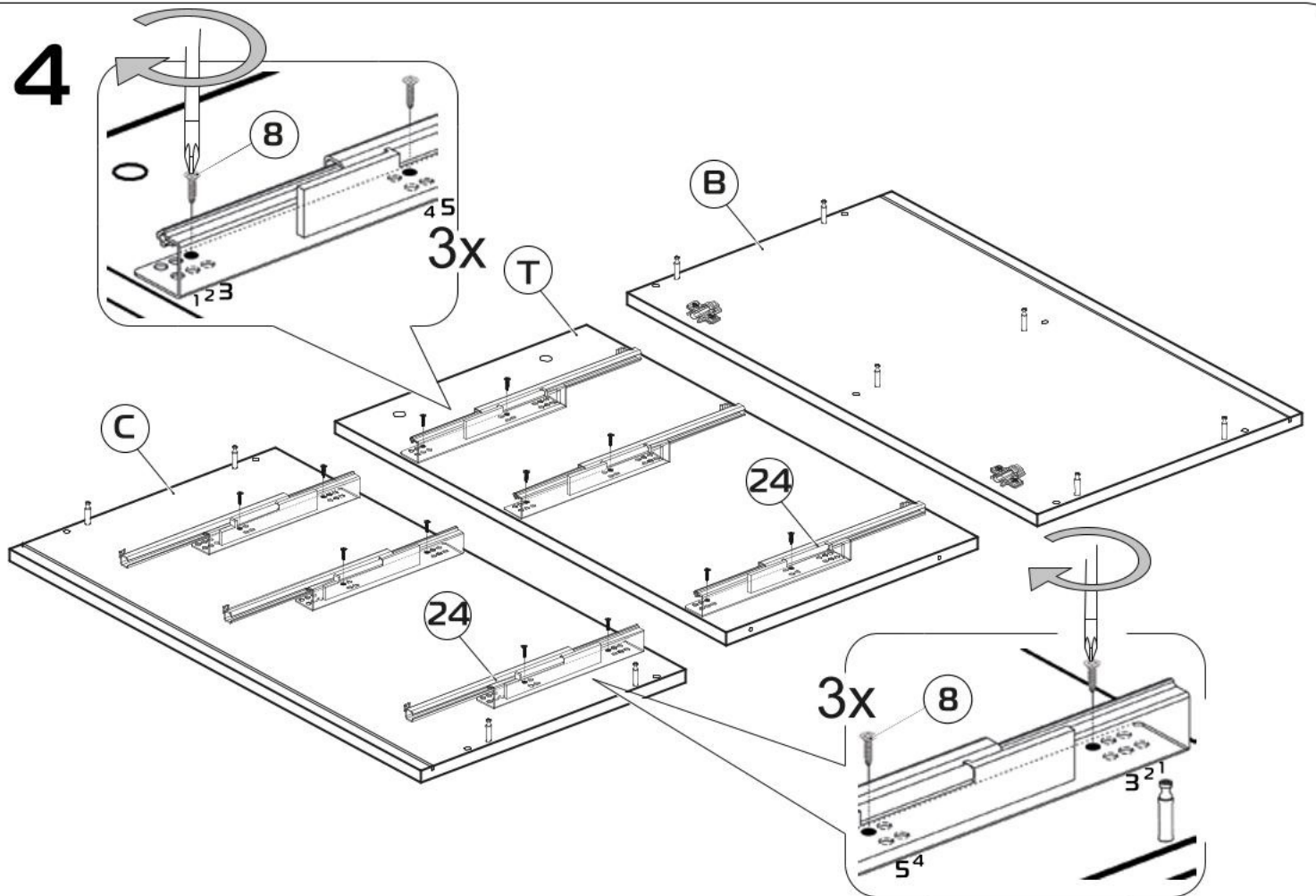
2



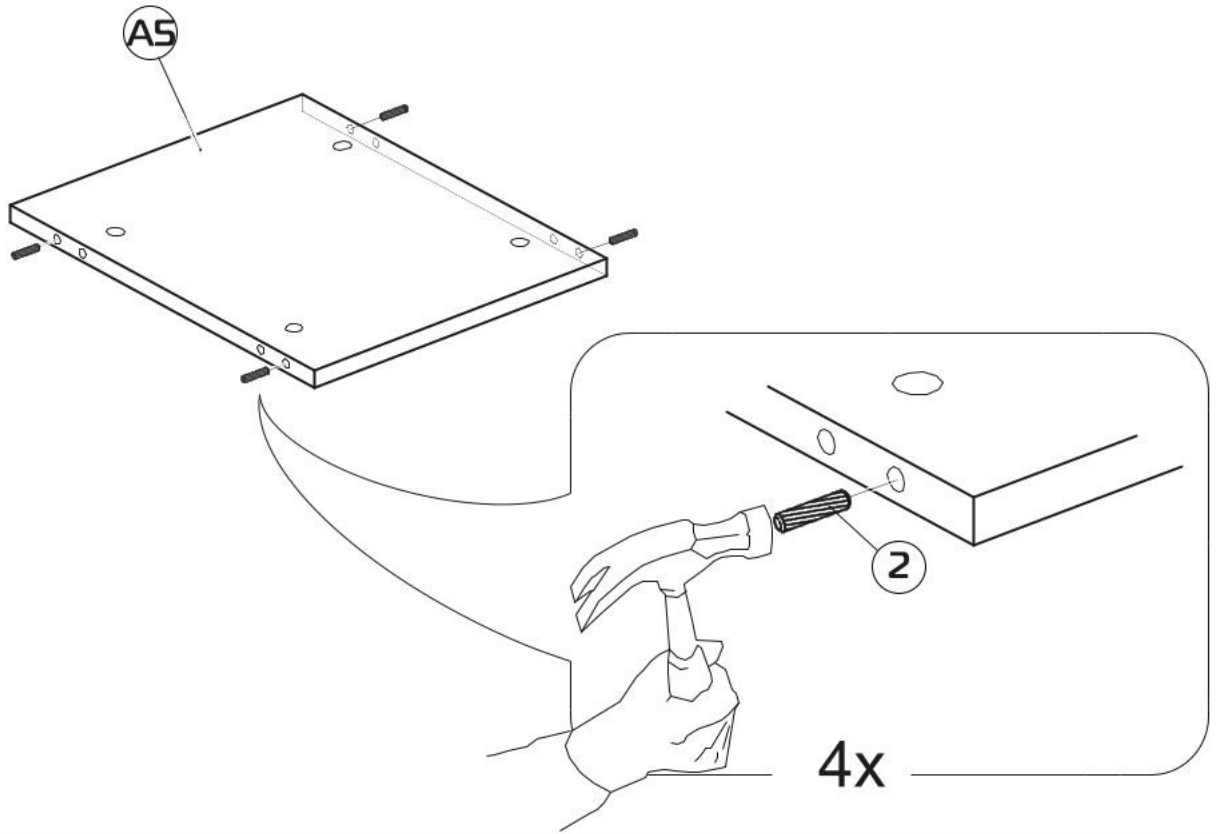
3



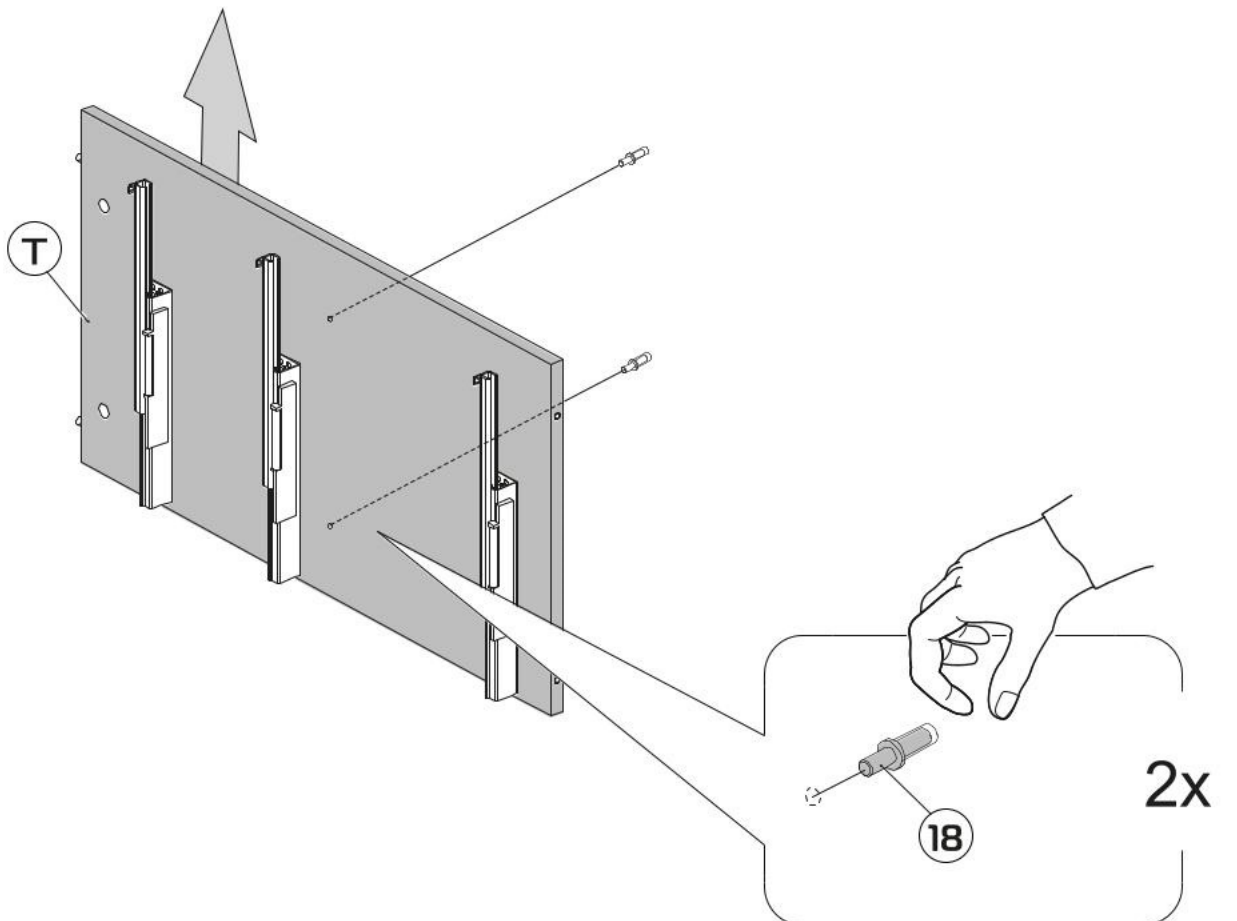
4



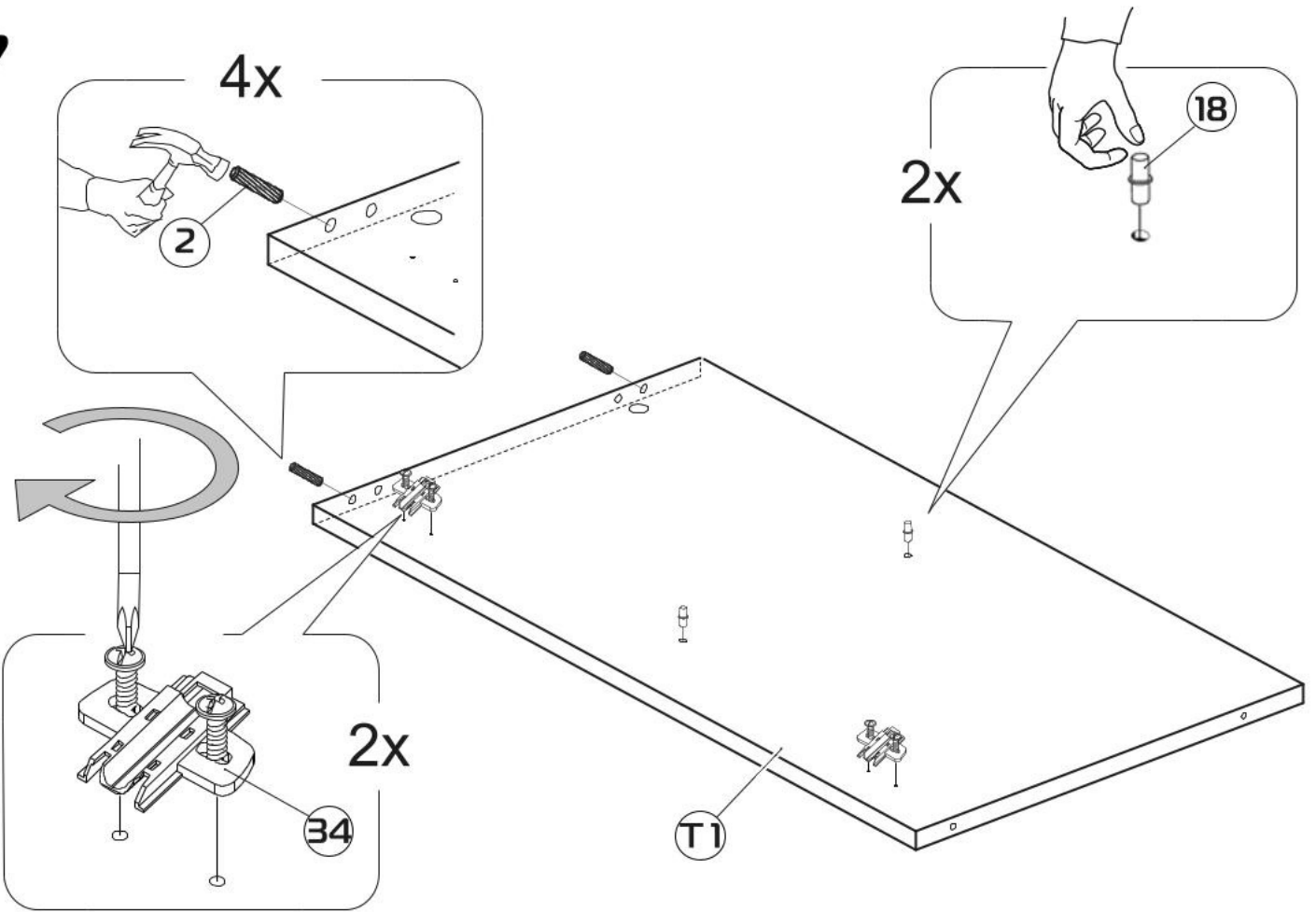
5



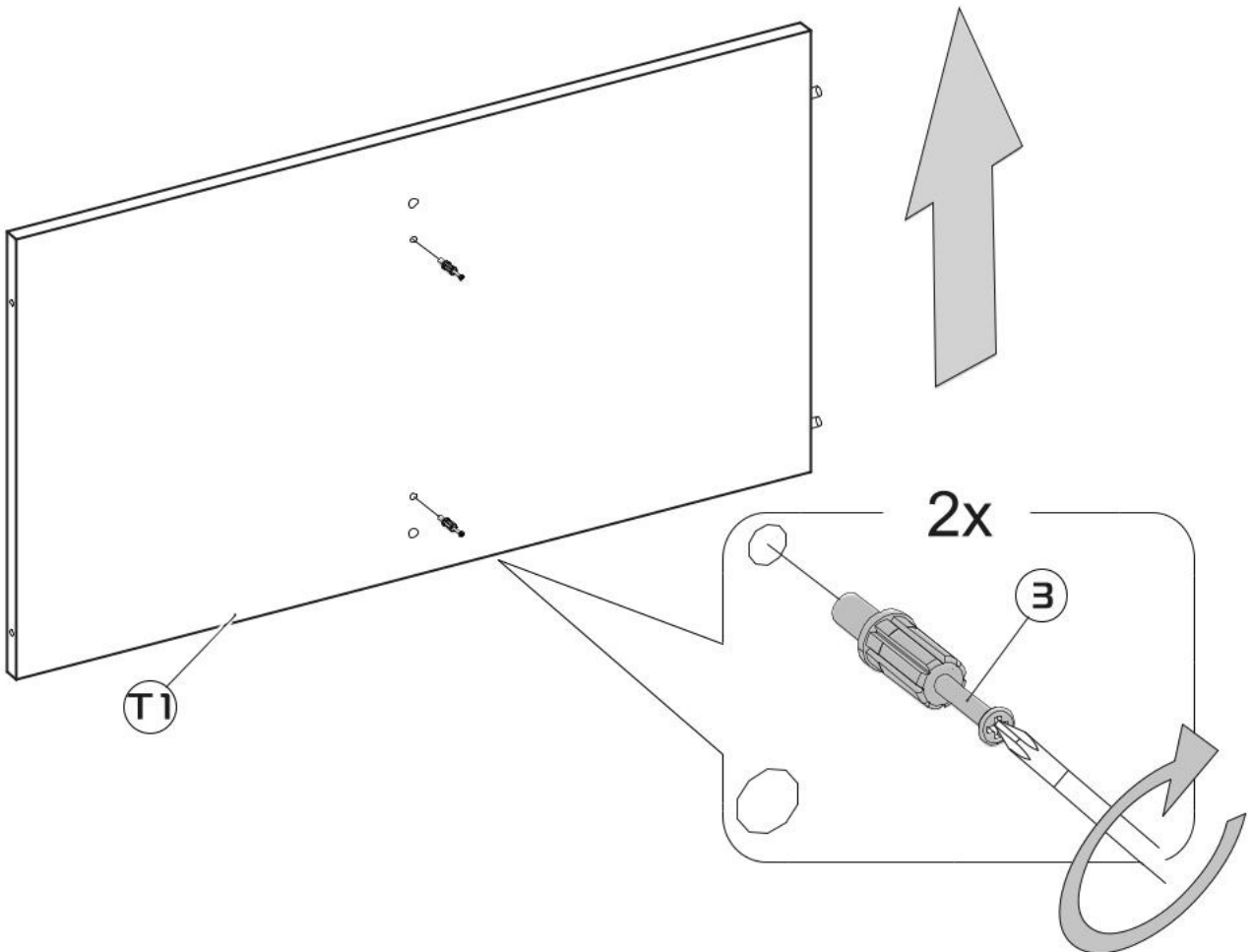
6



7

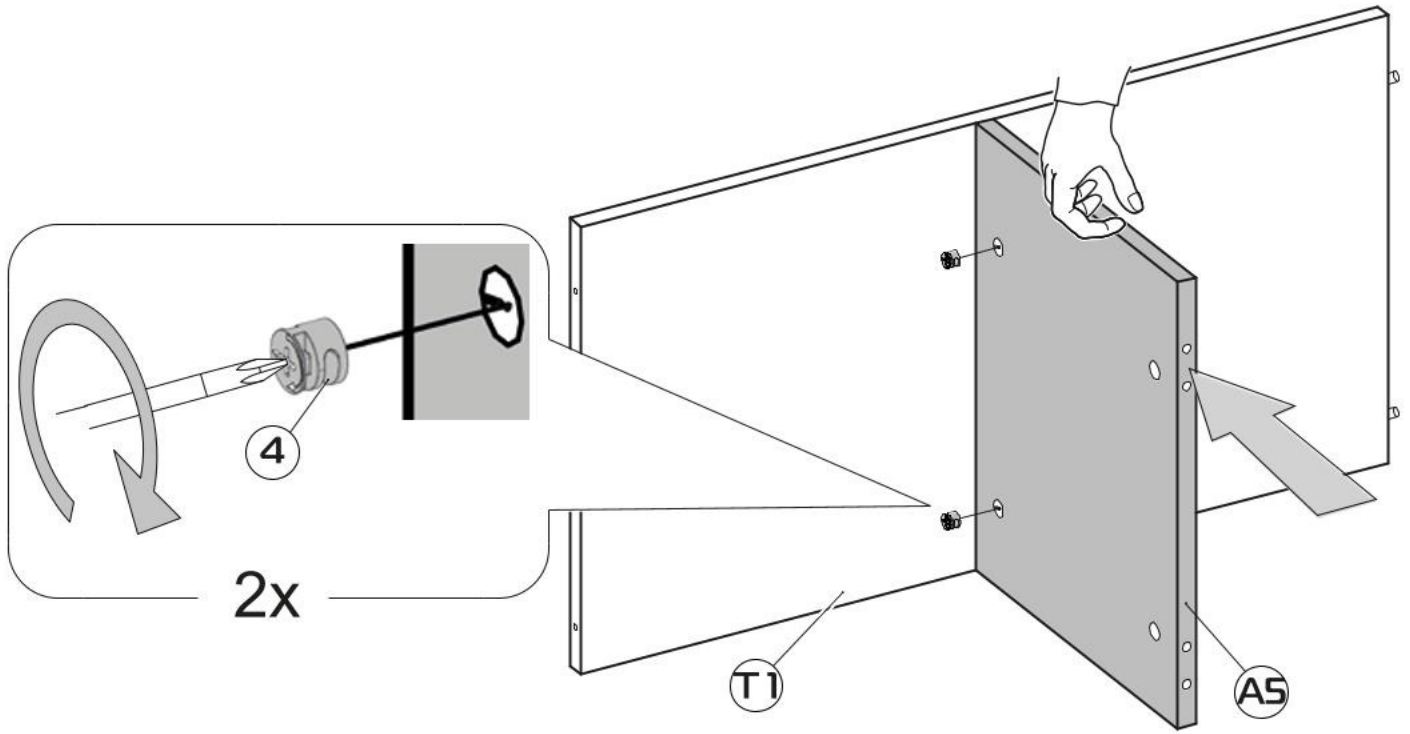


8

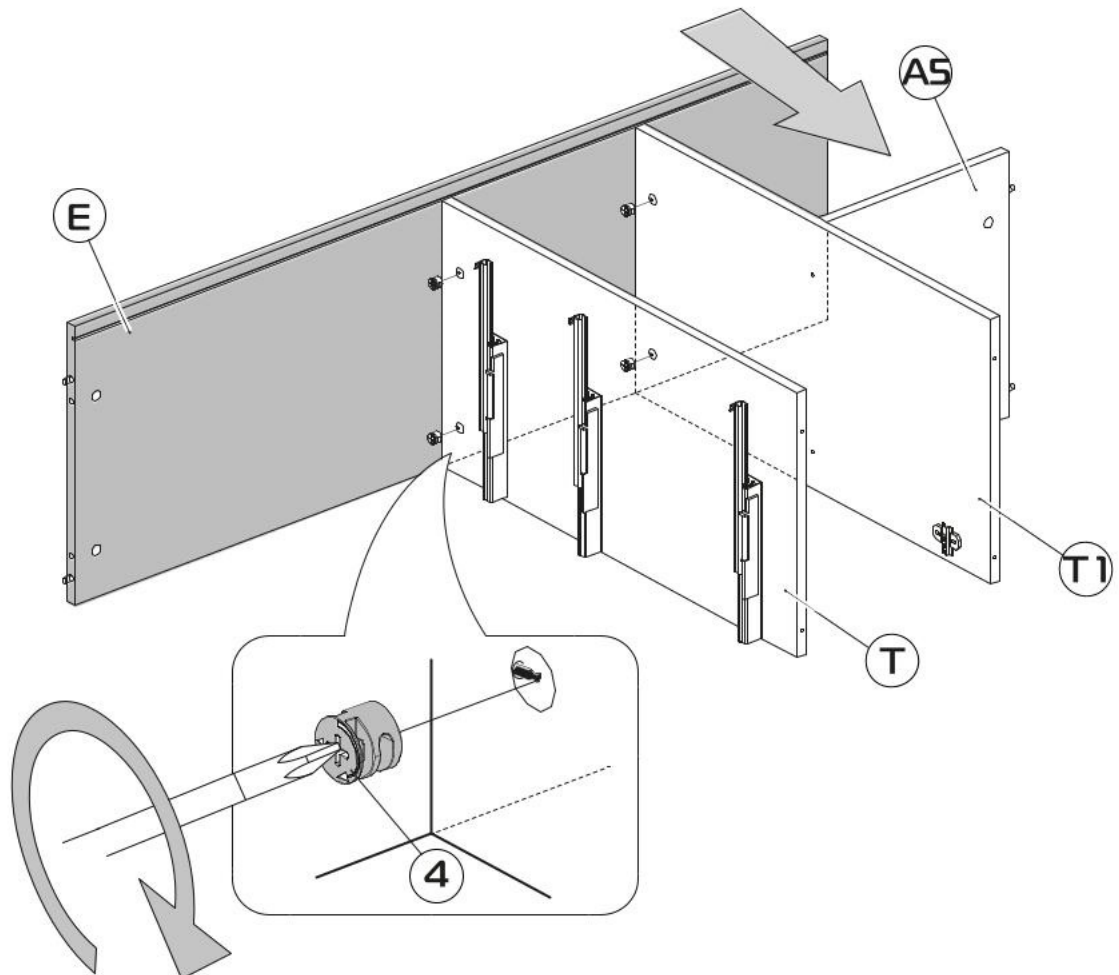




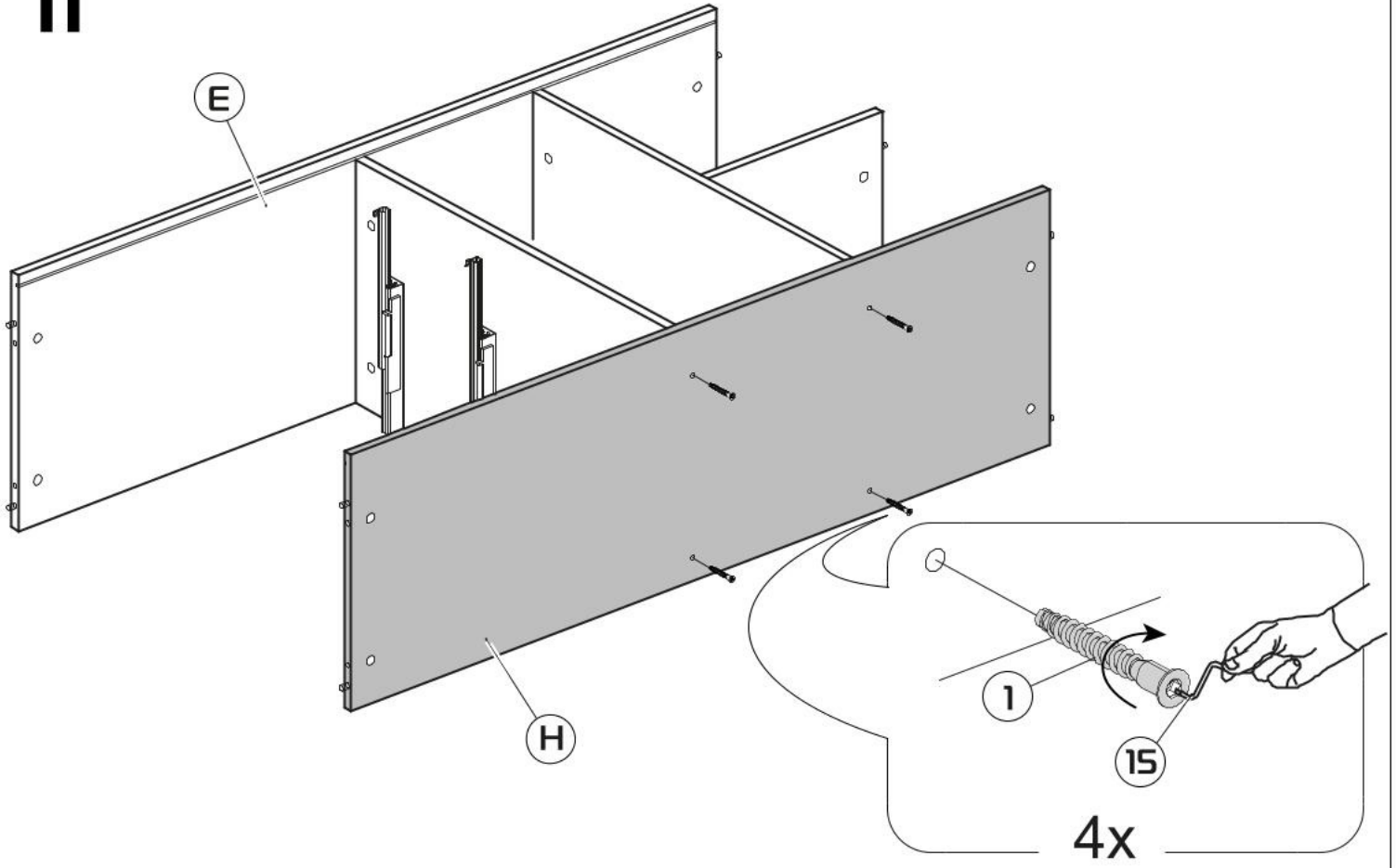
# 9



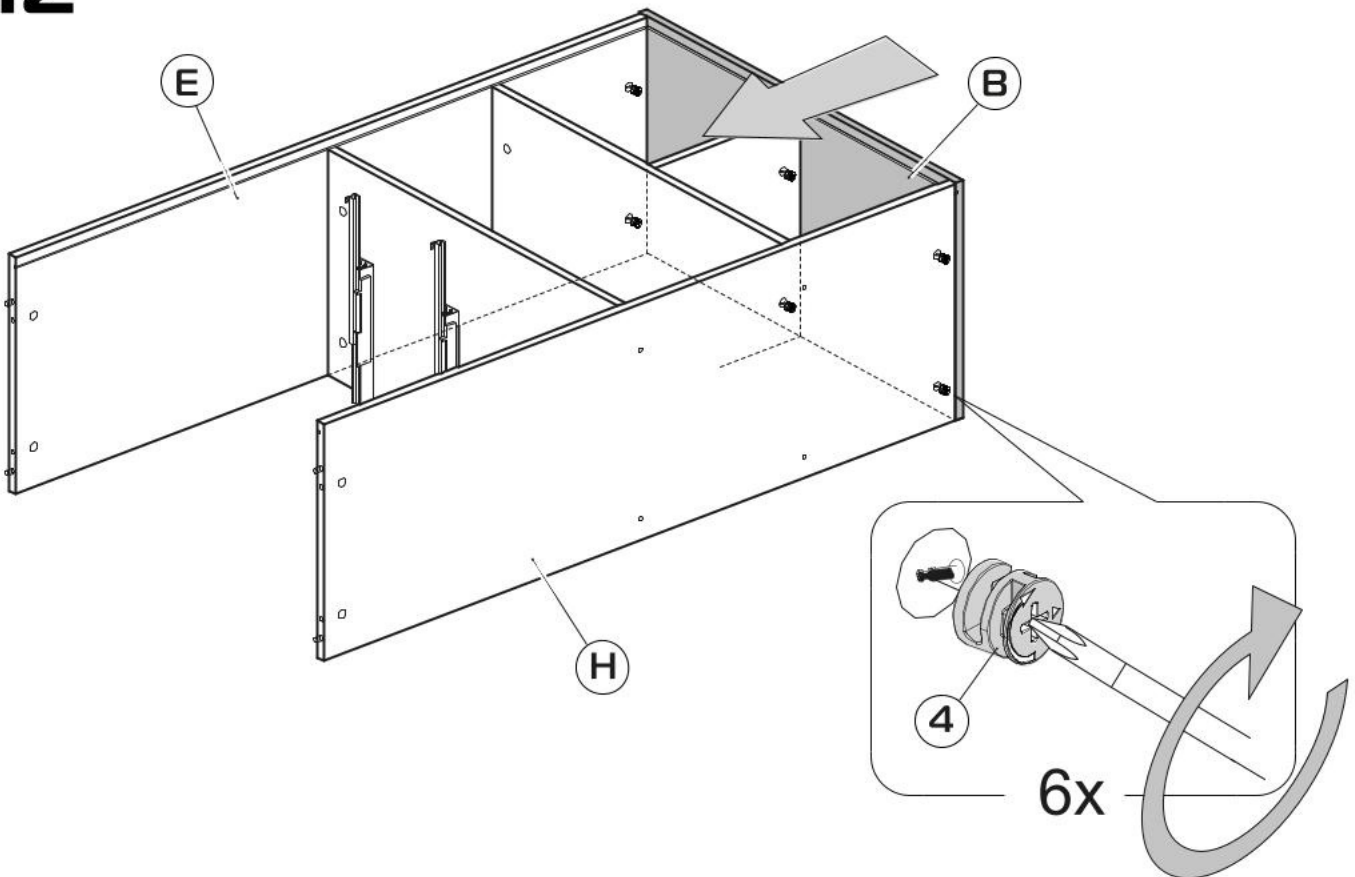
# 10



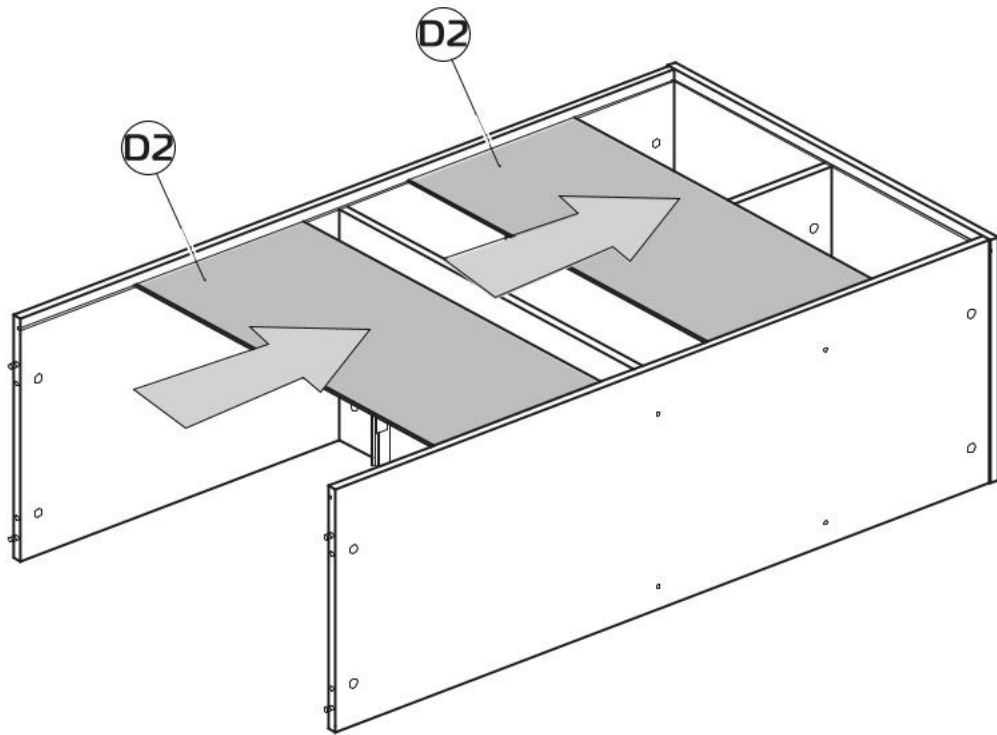
# 11



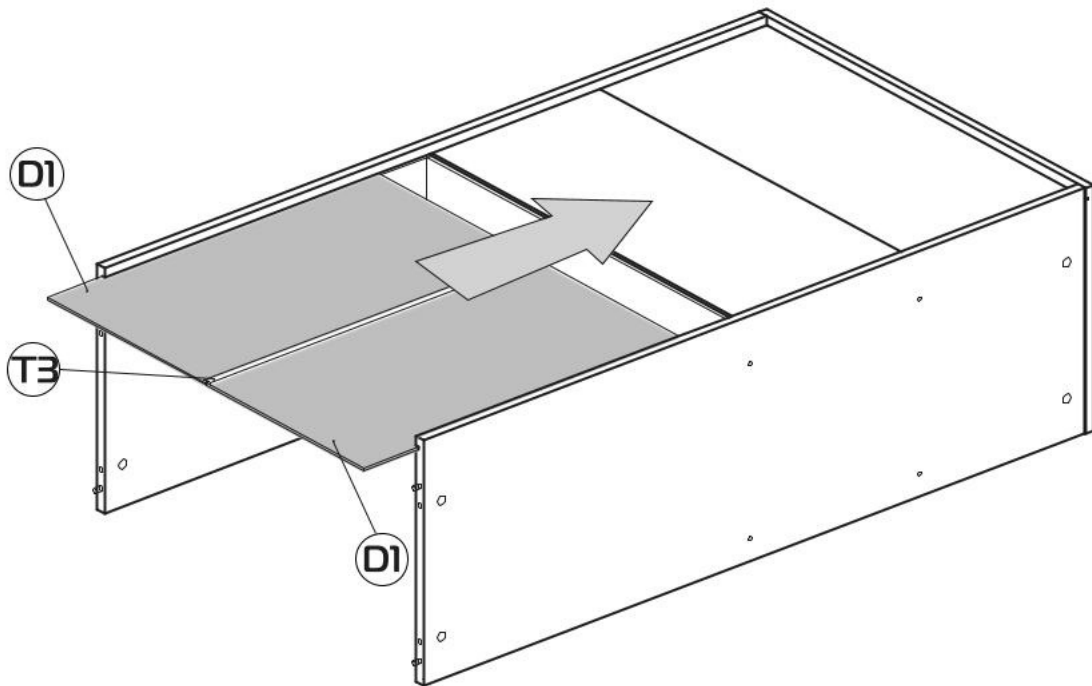
# 12



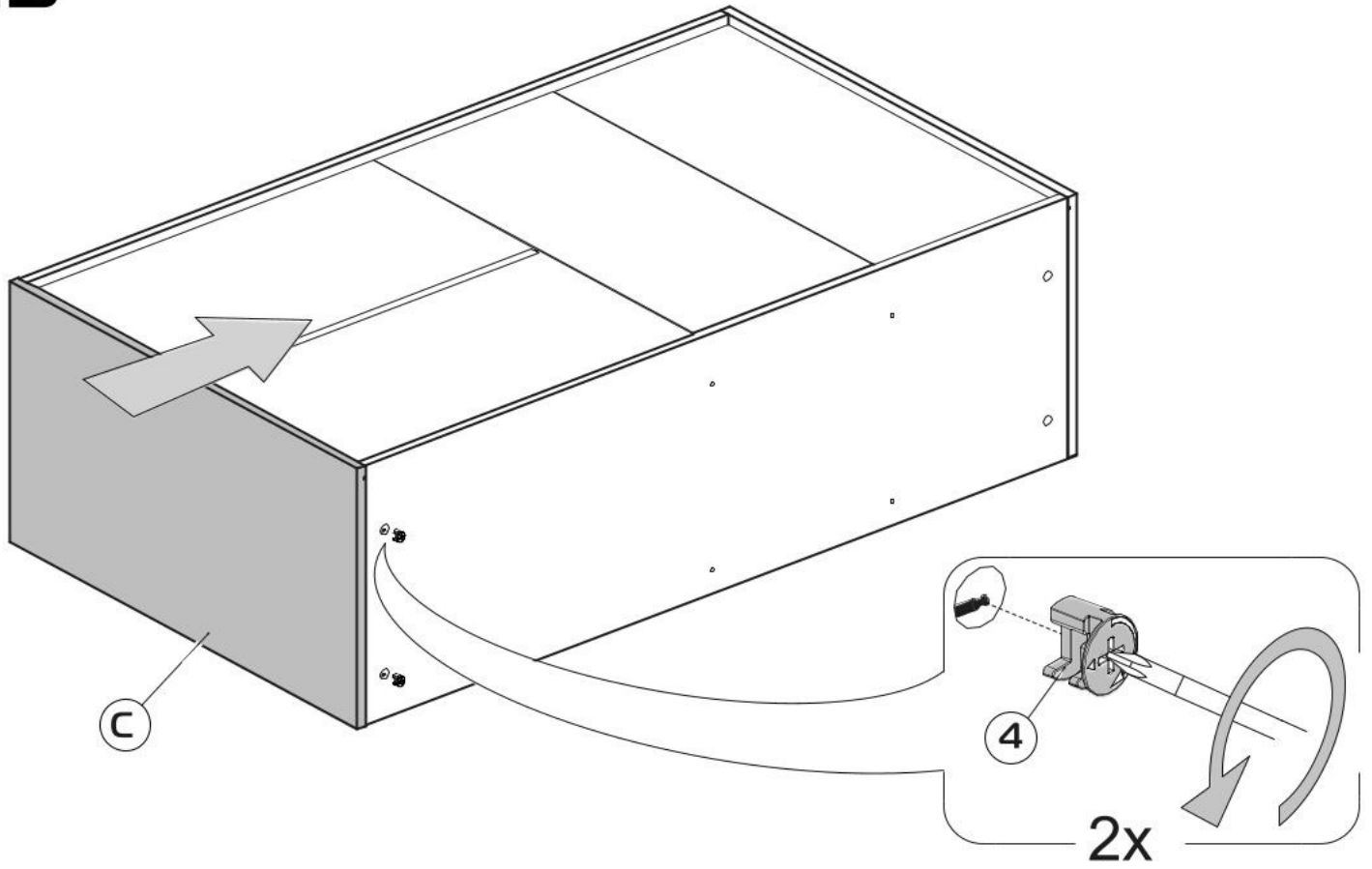
# 13



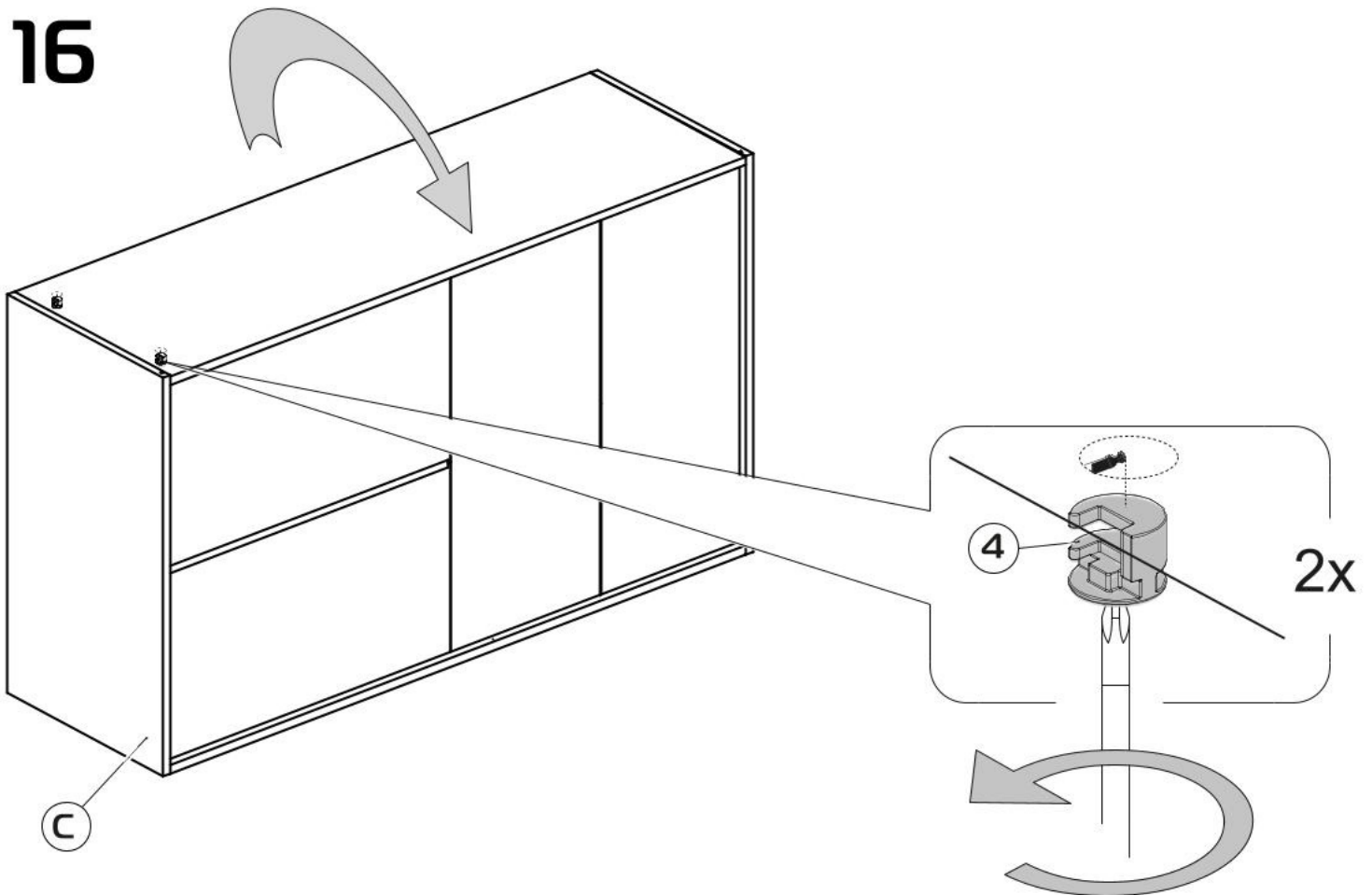
# 14



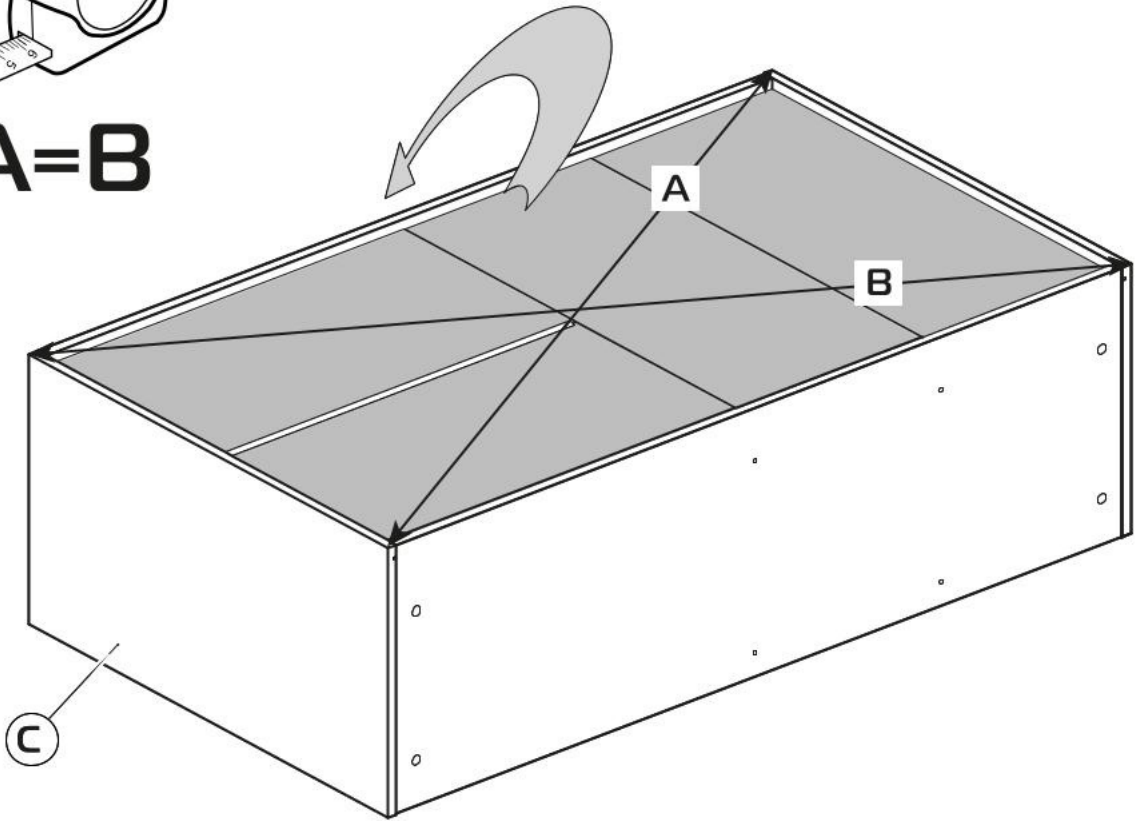
15



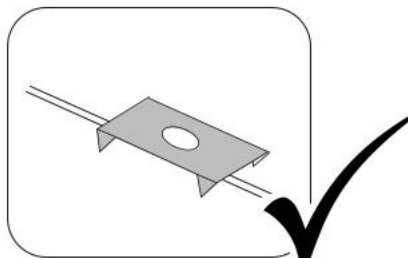
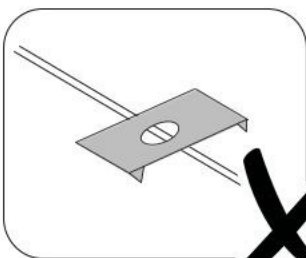
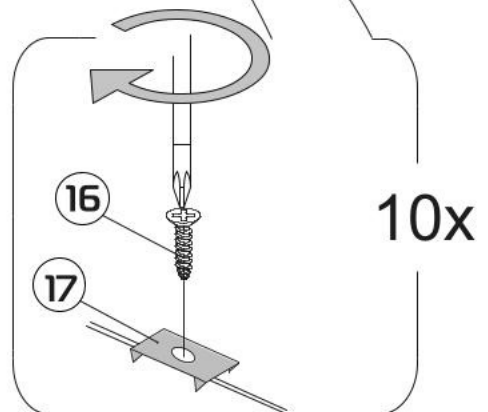
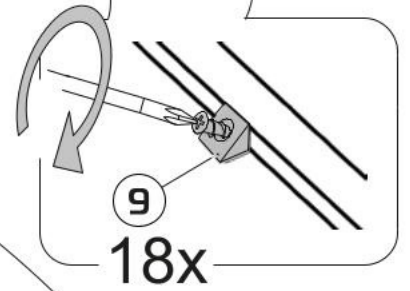
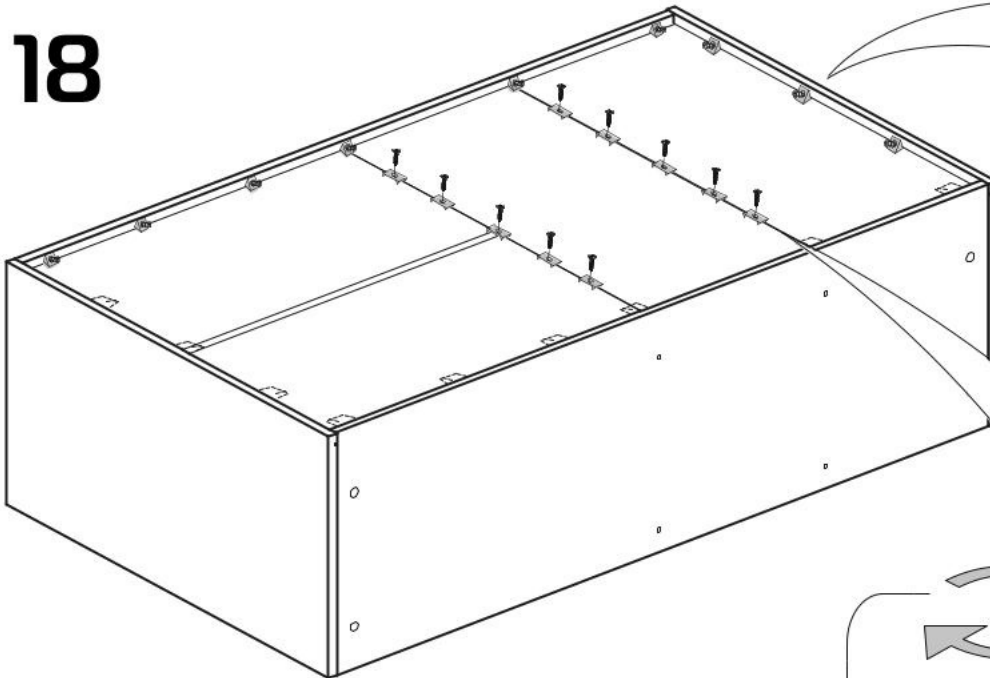
16



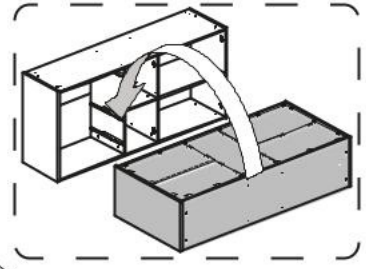
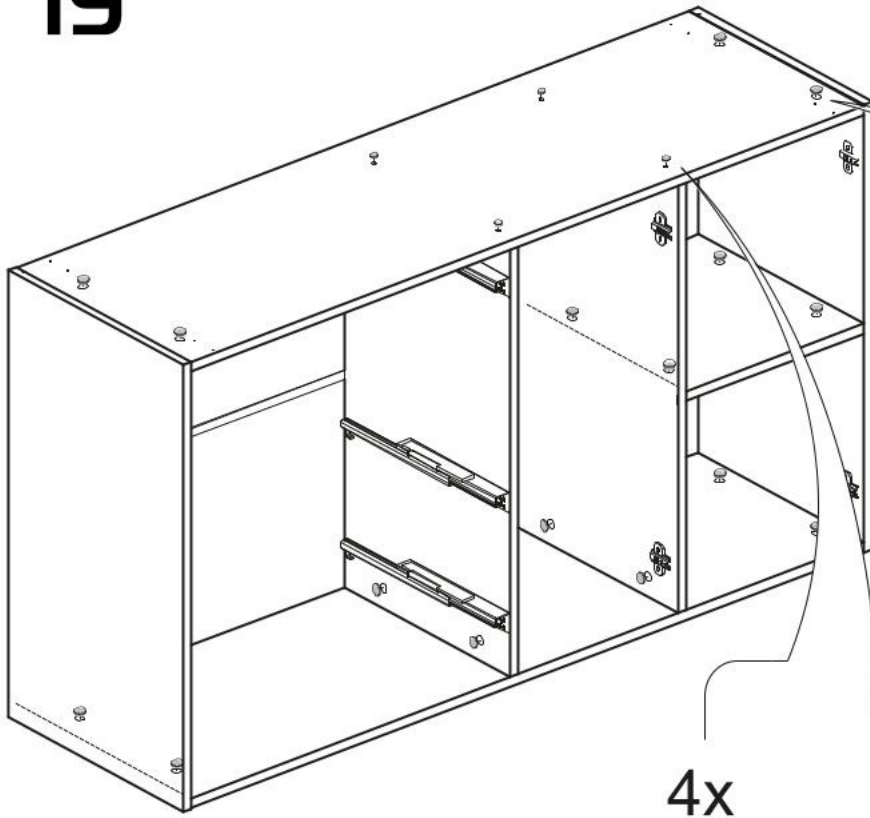
17



18



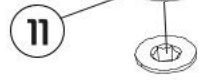
19



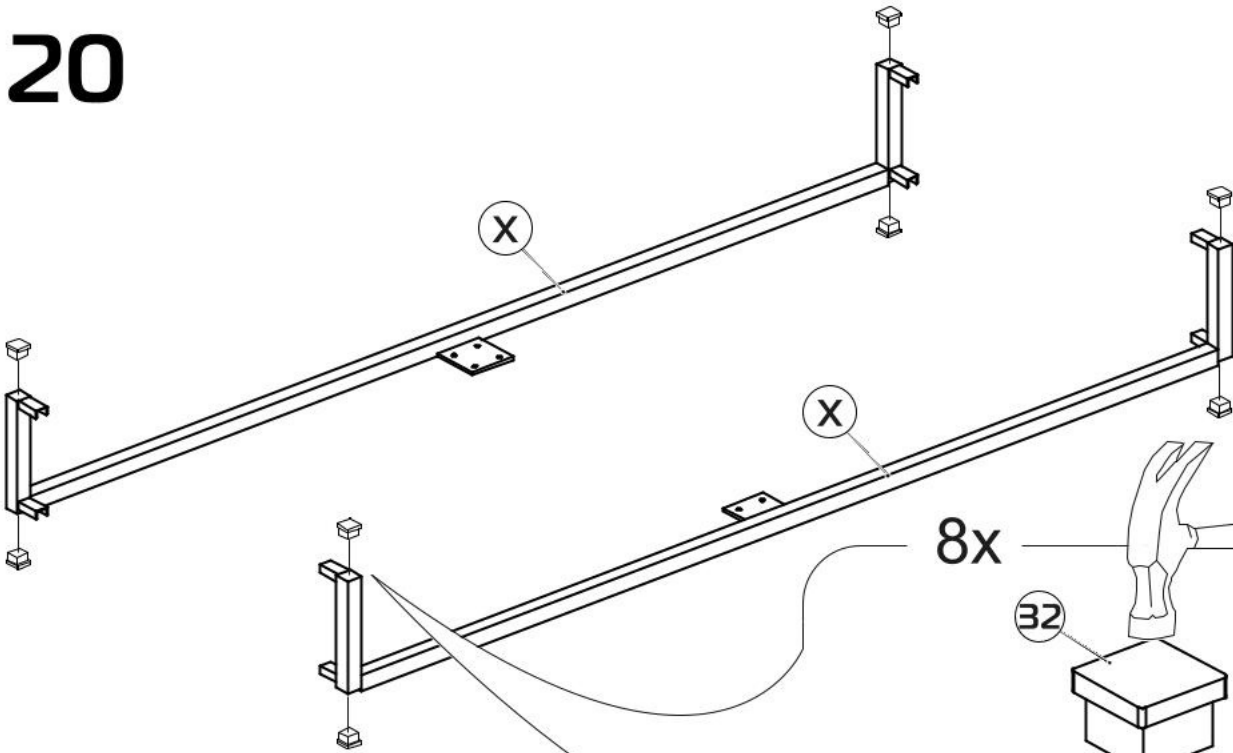
16x



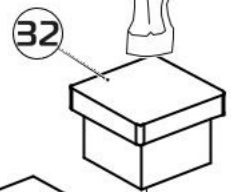
4x



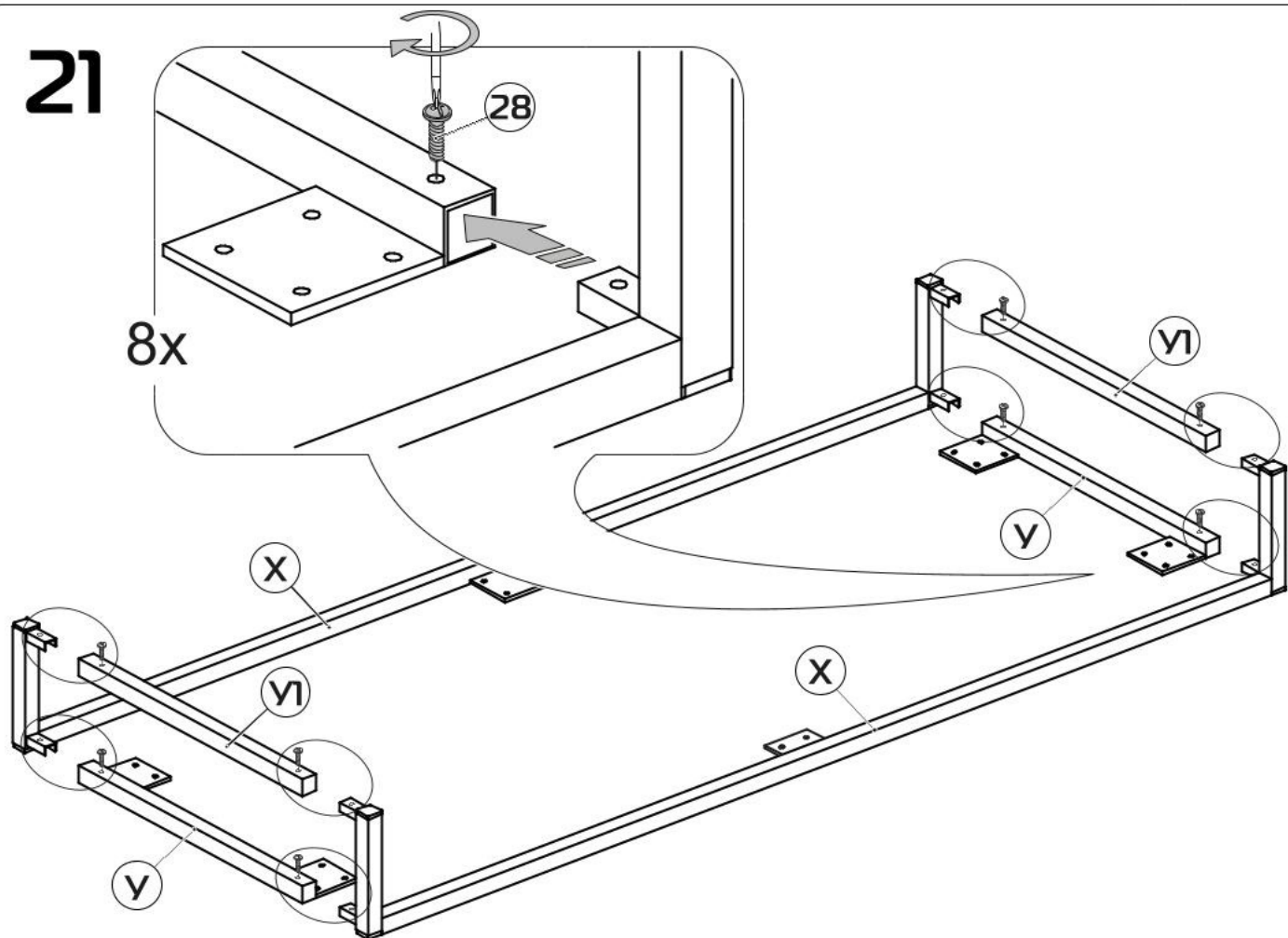
20



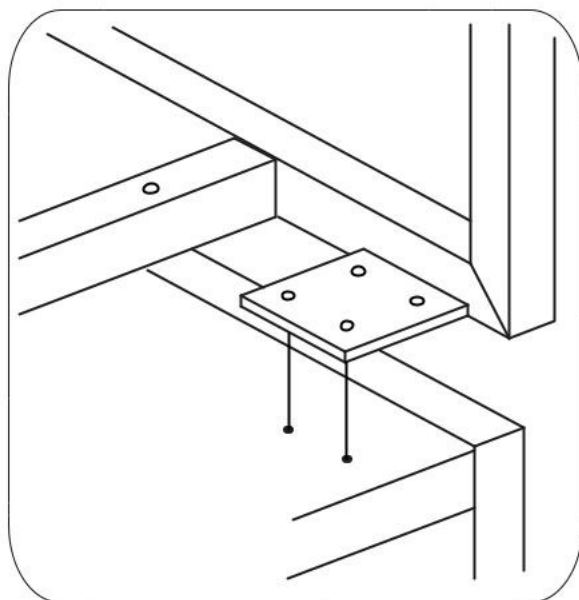
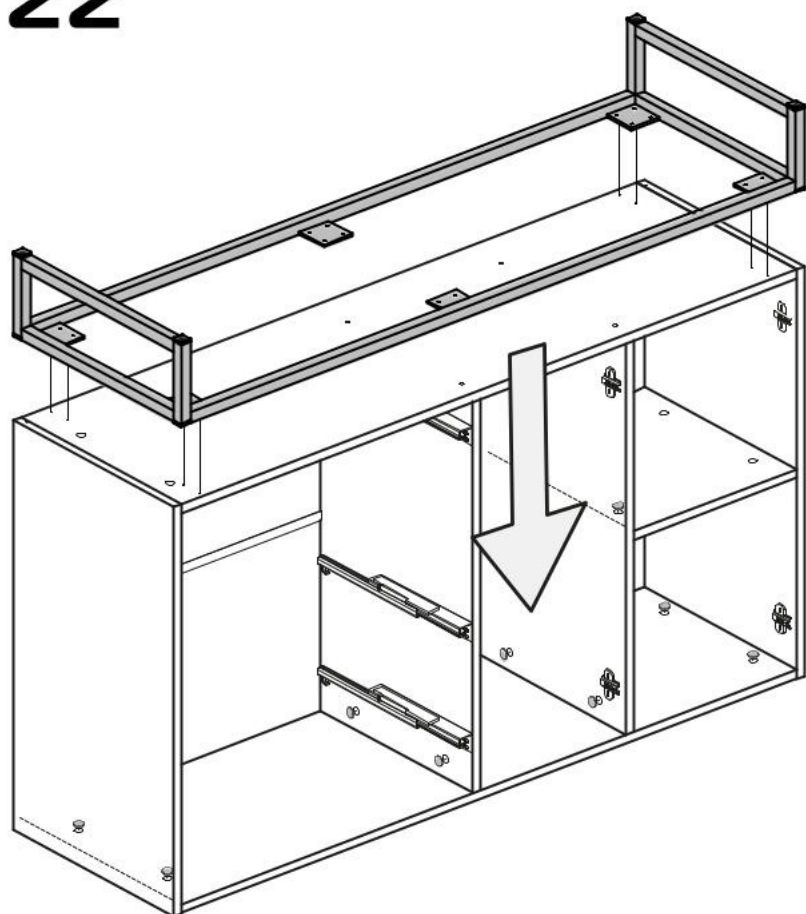
8x



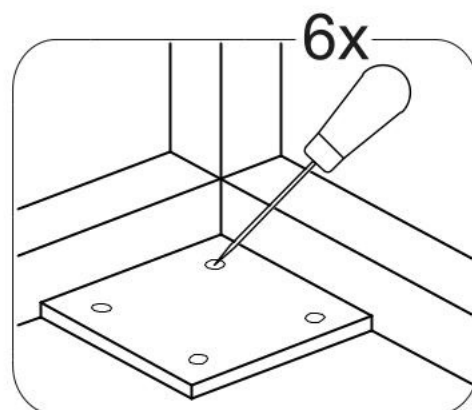
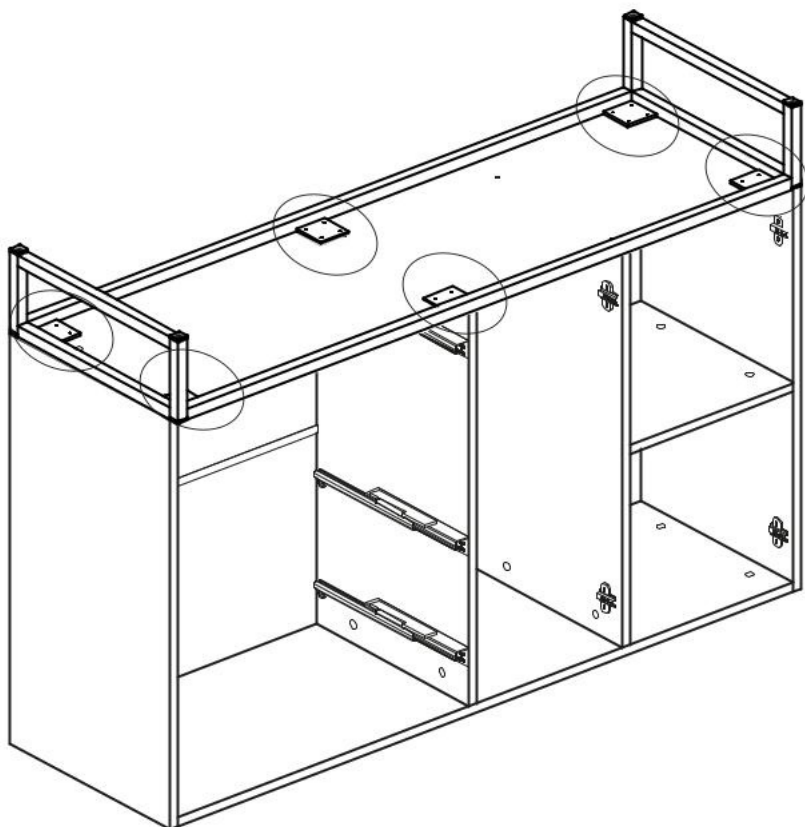
# 21



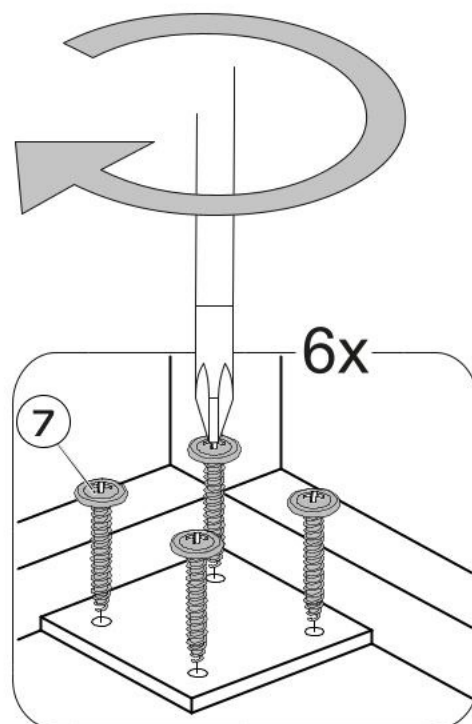
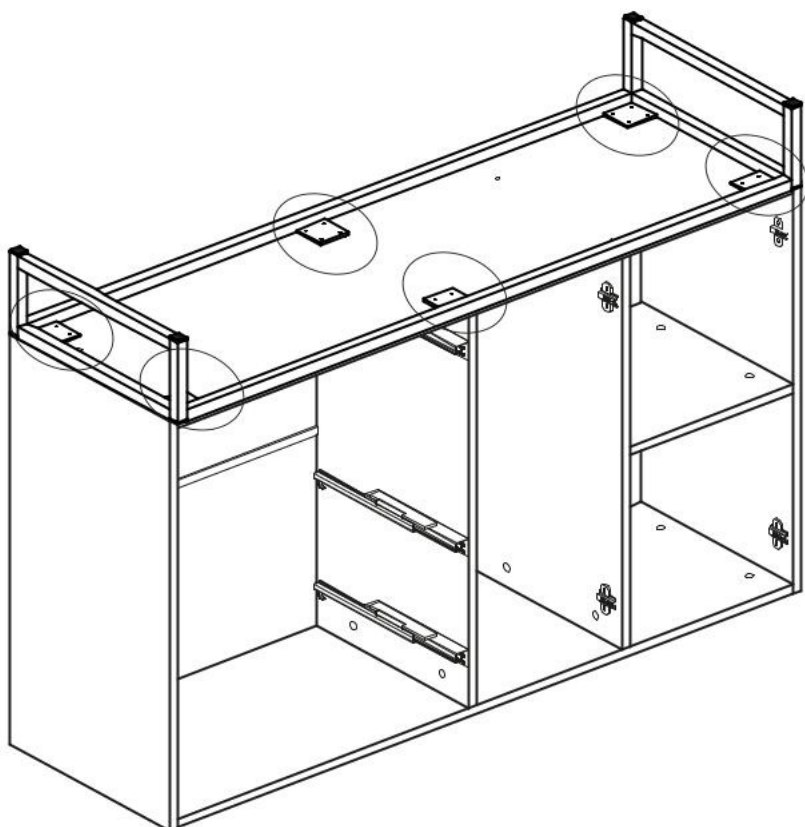
# 22



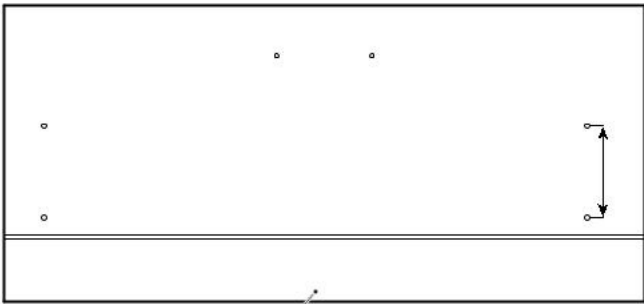
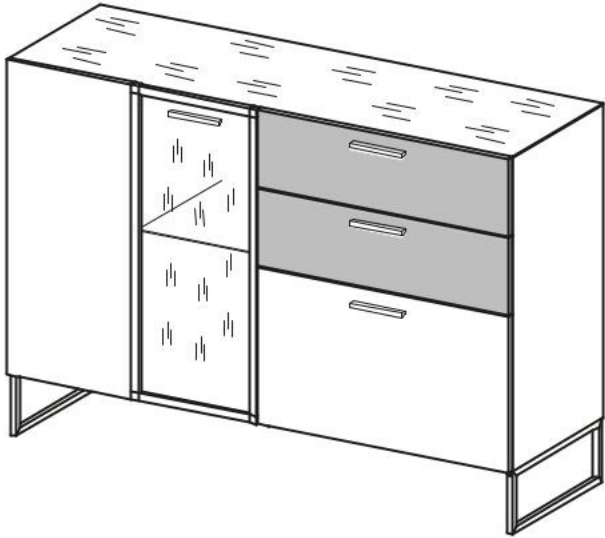
# 23



# 24

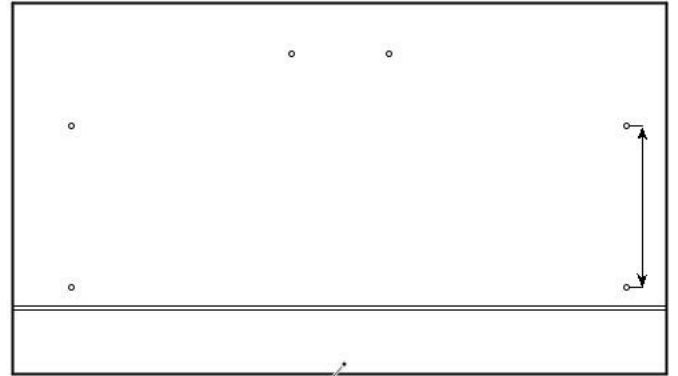
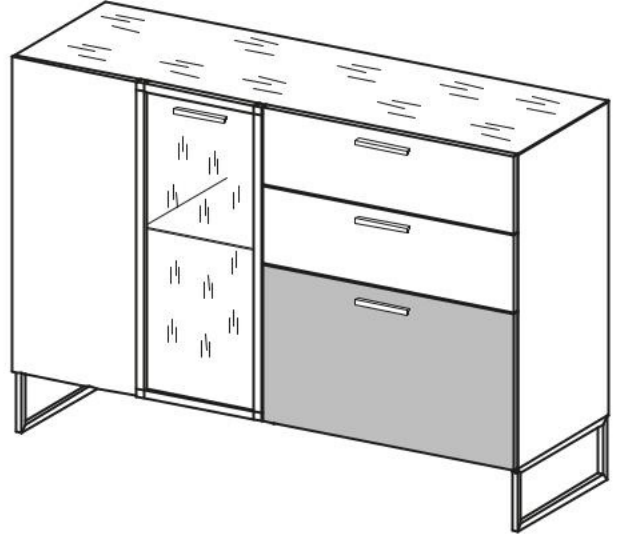






A2

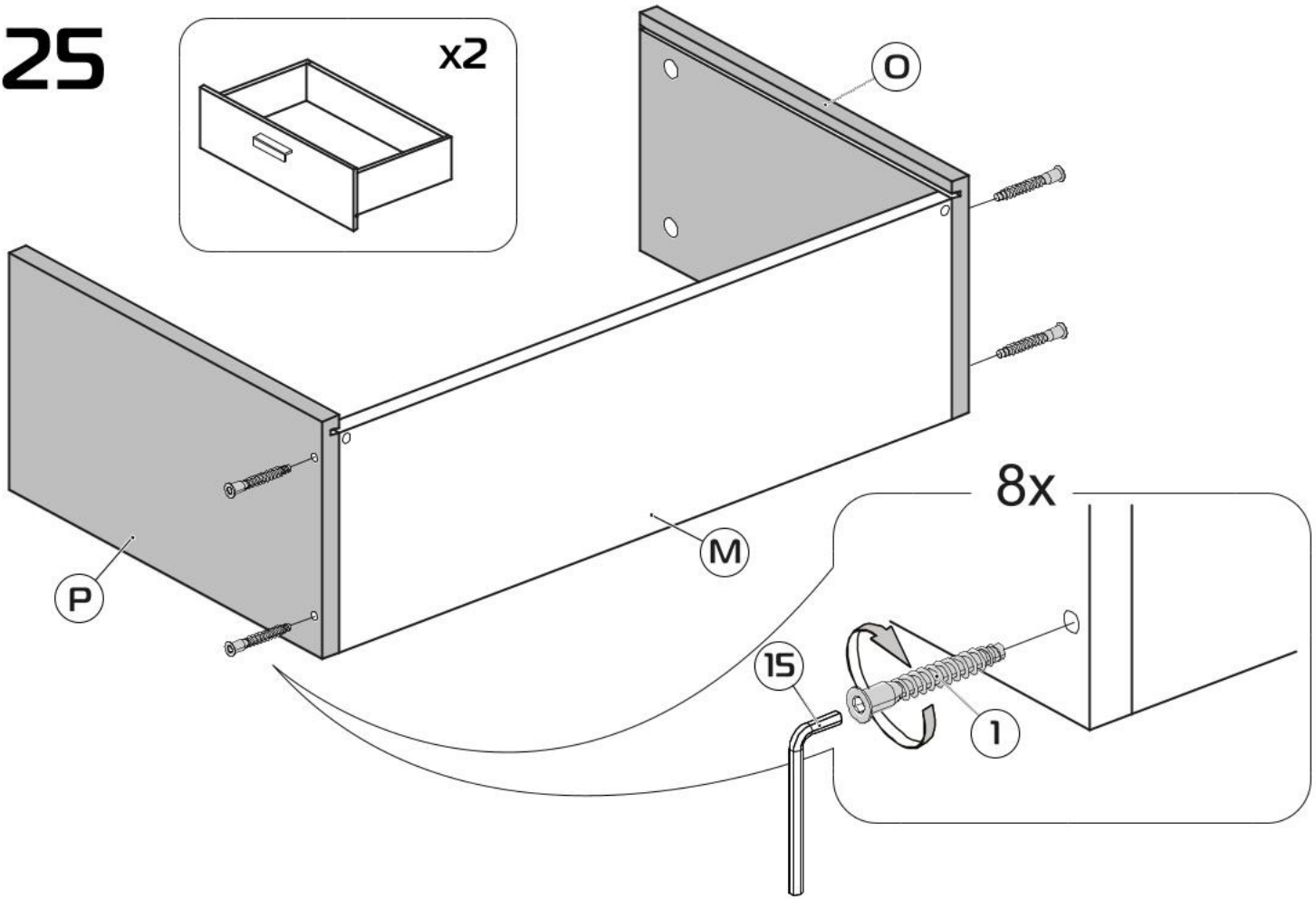
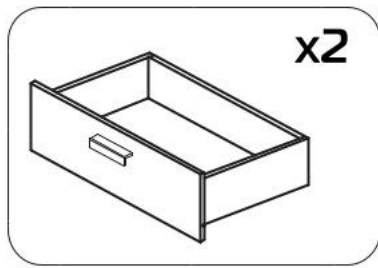
64 MM



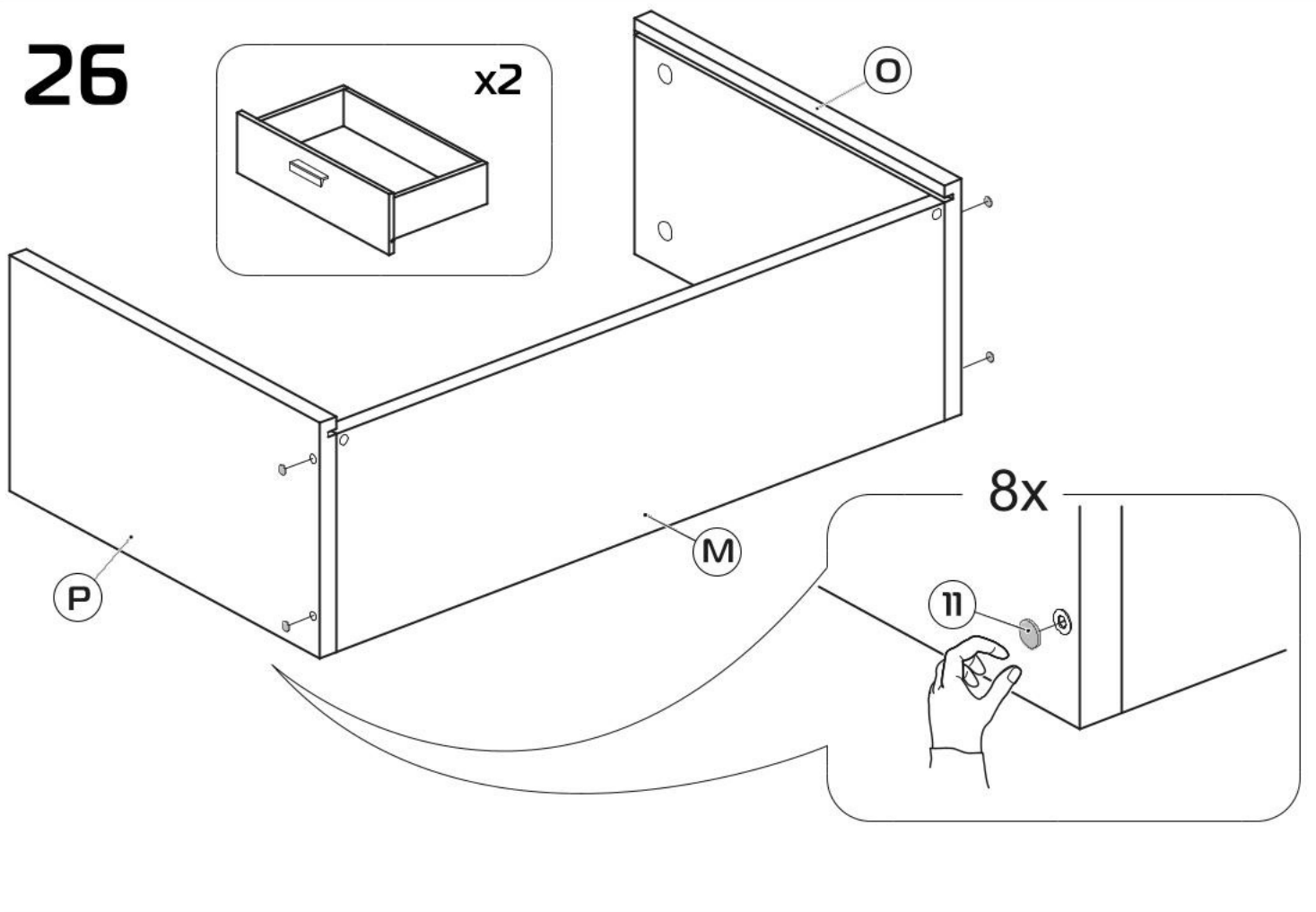
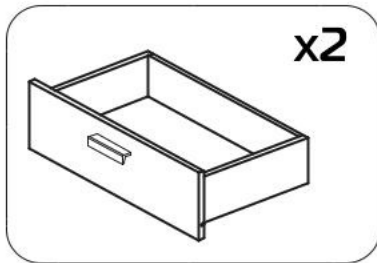
A3

128 MM

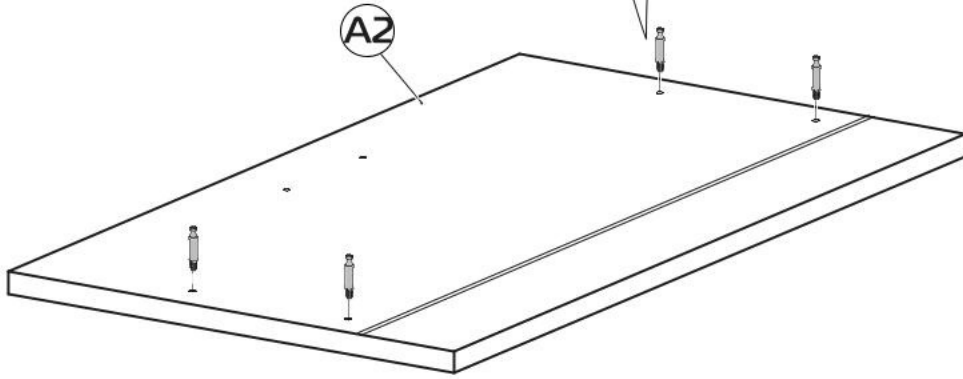
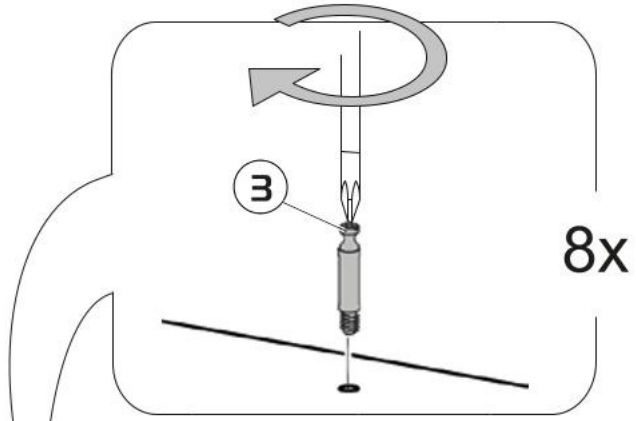
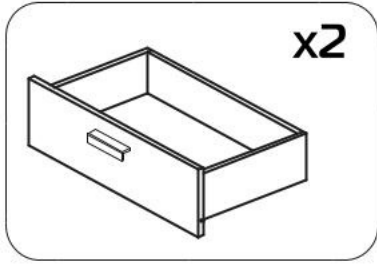
# 25



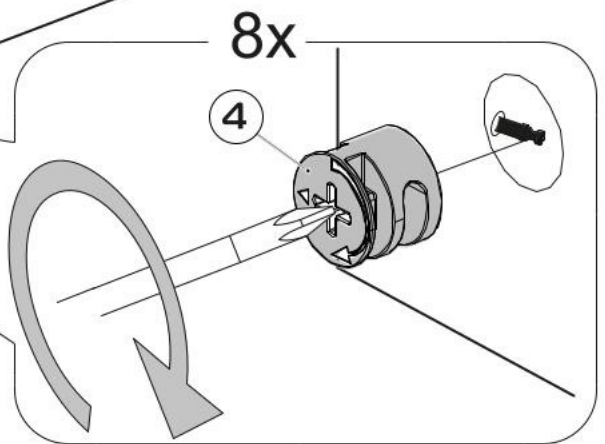
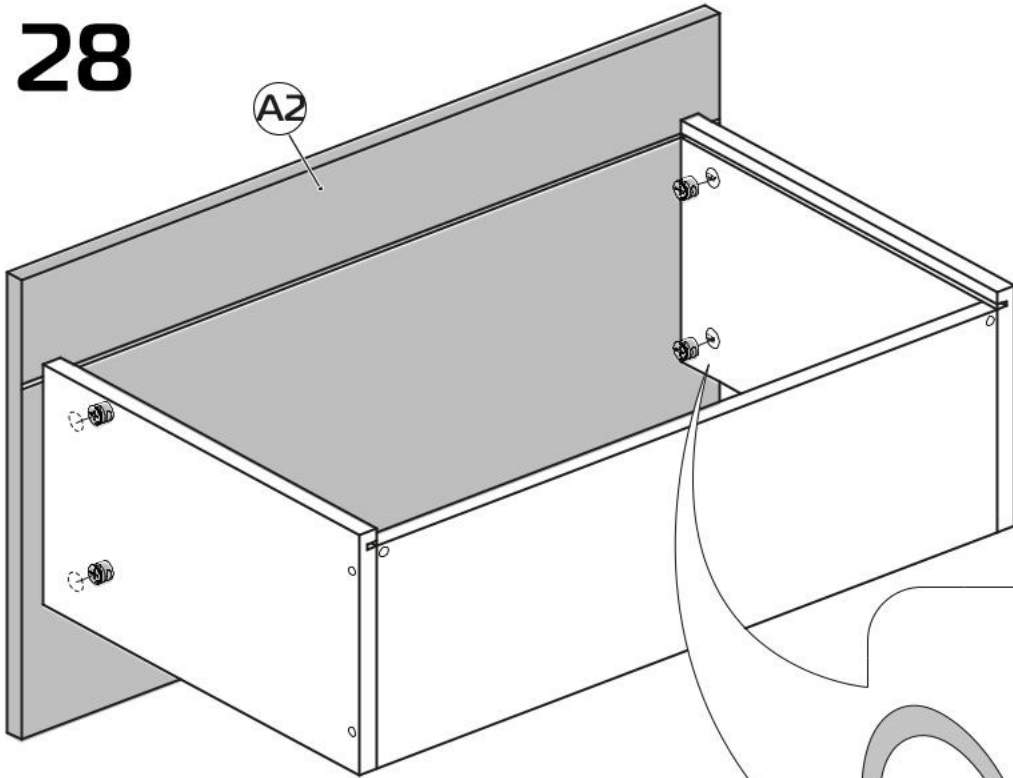
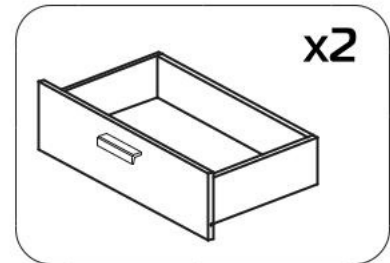
# 26



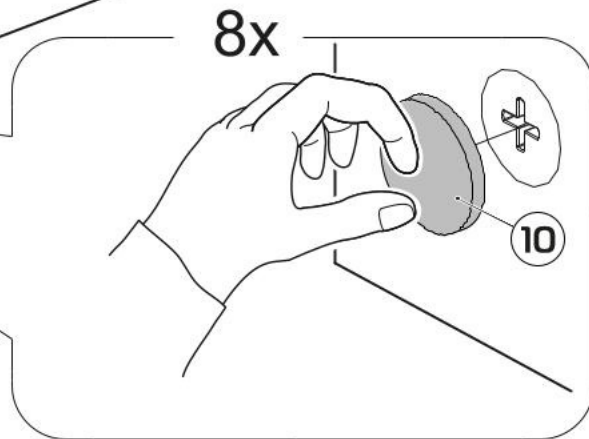
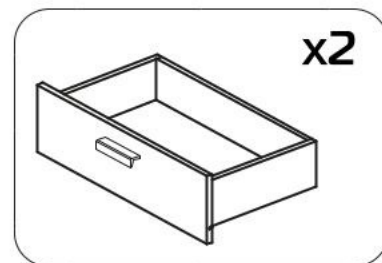
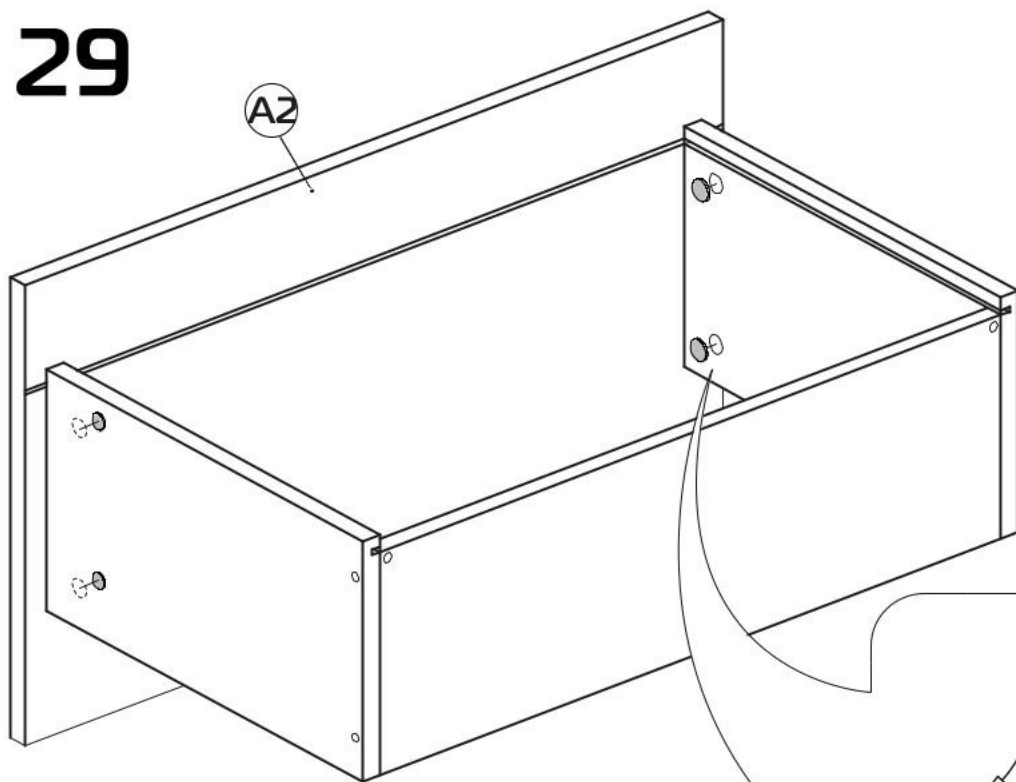
# 27



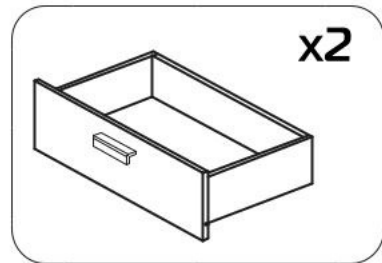
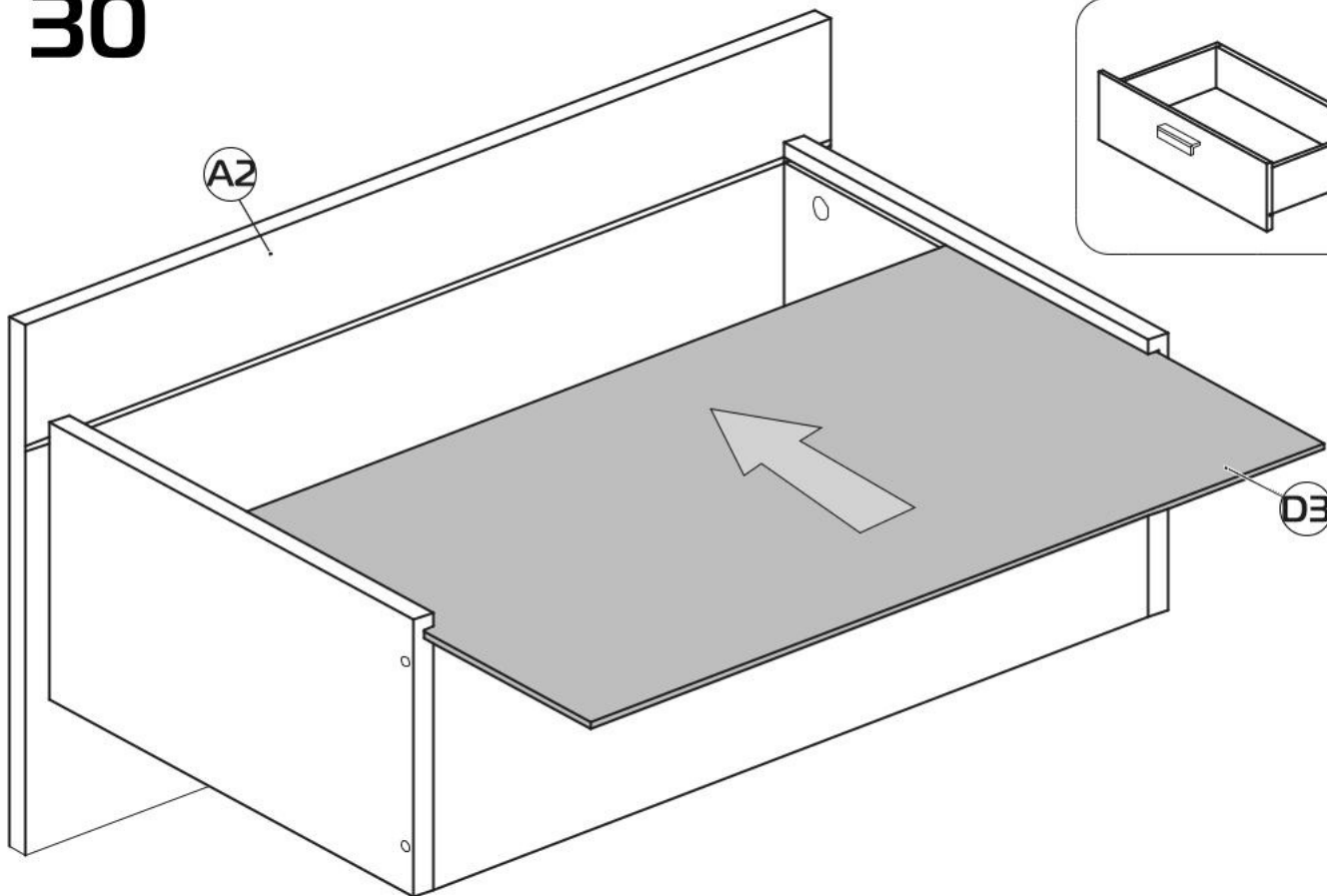
# 28



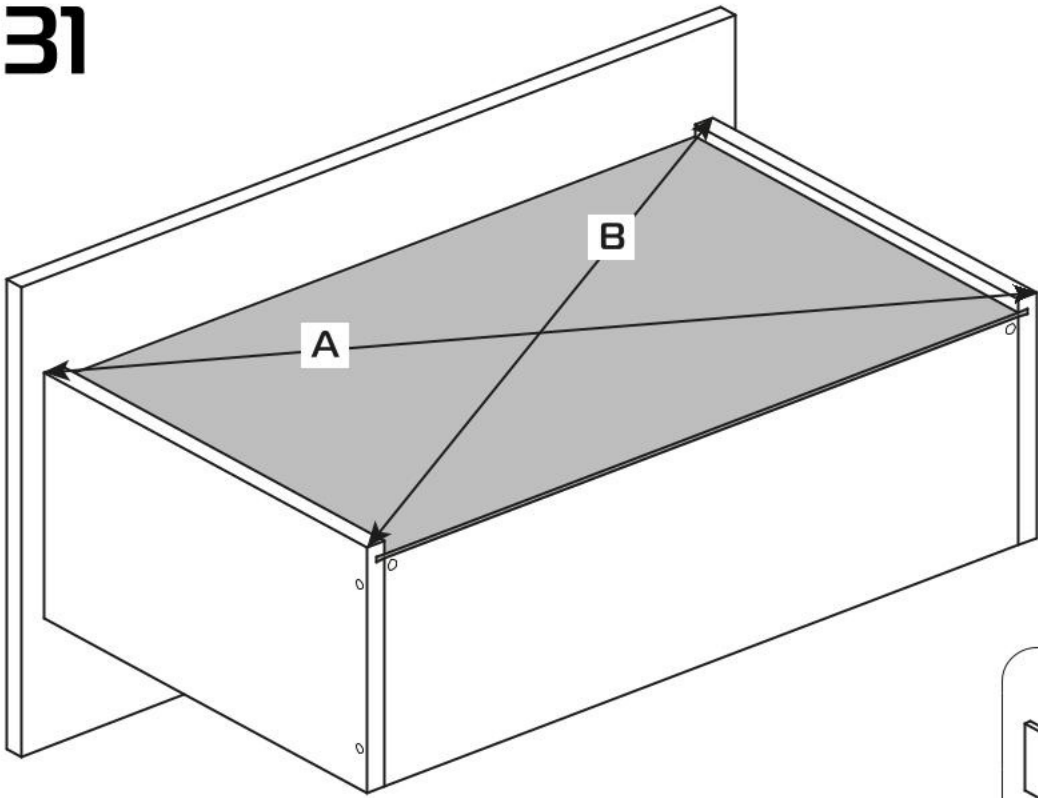
# 29



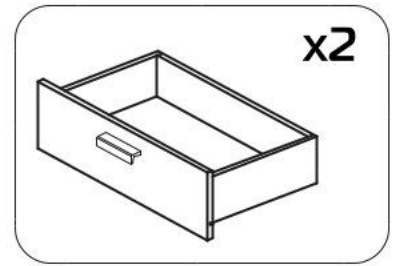
# 30



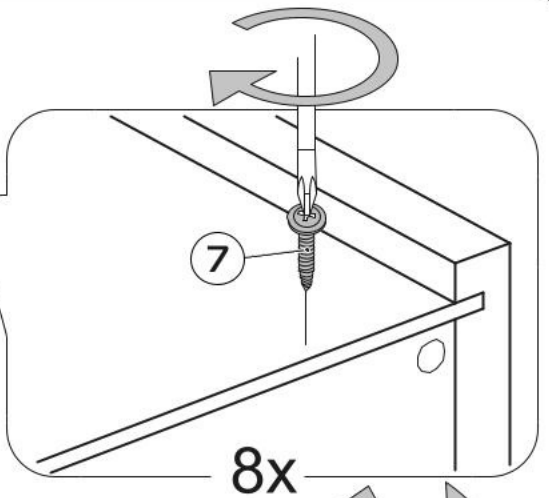
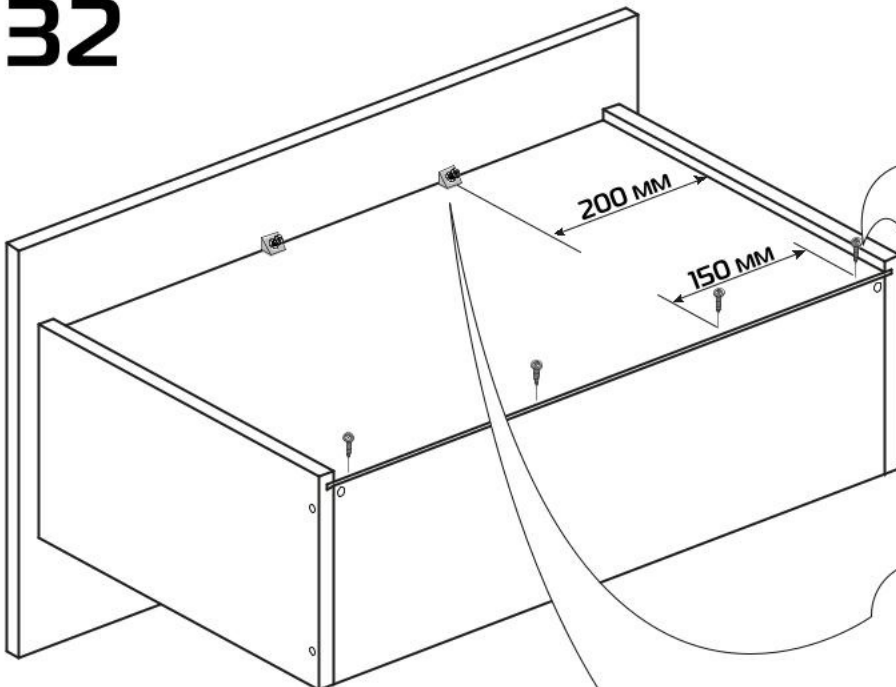
# 31



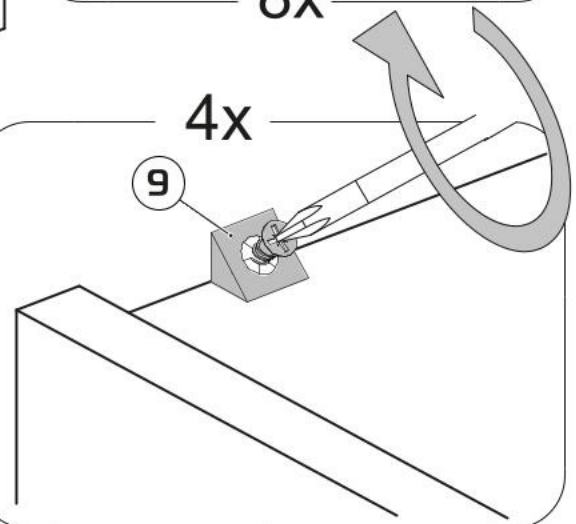
**A=B**



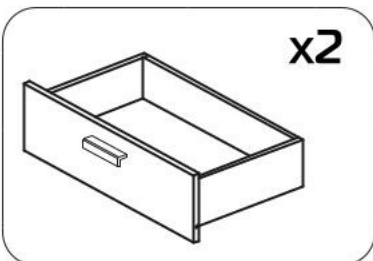
# 32



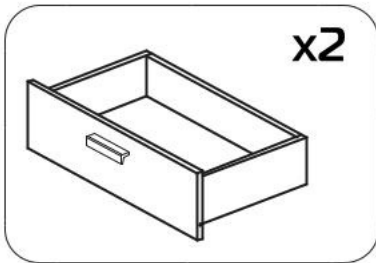
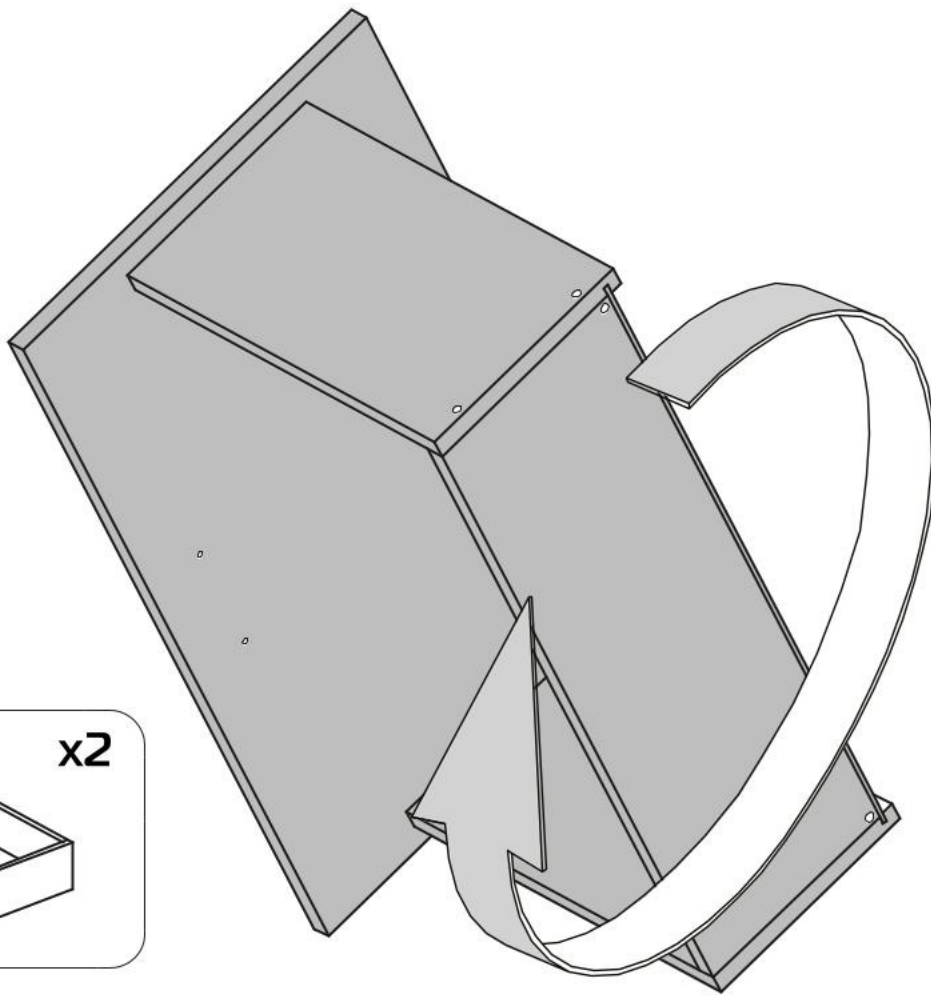
**8x**



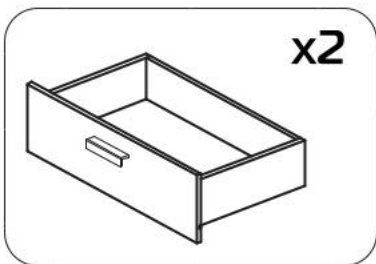
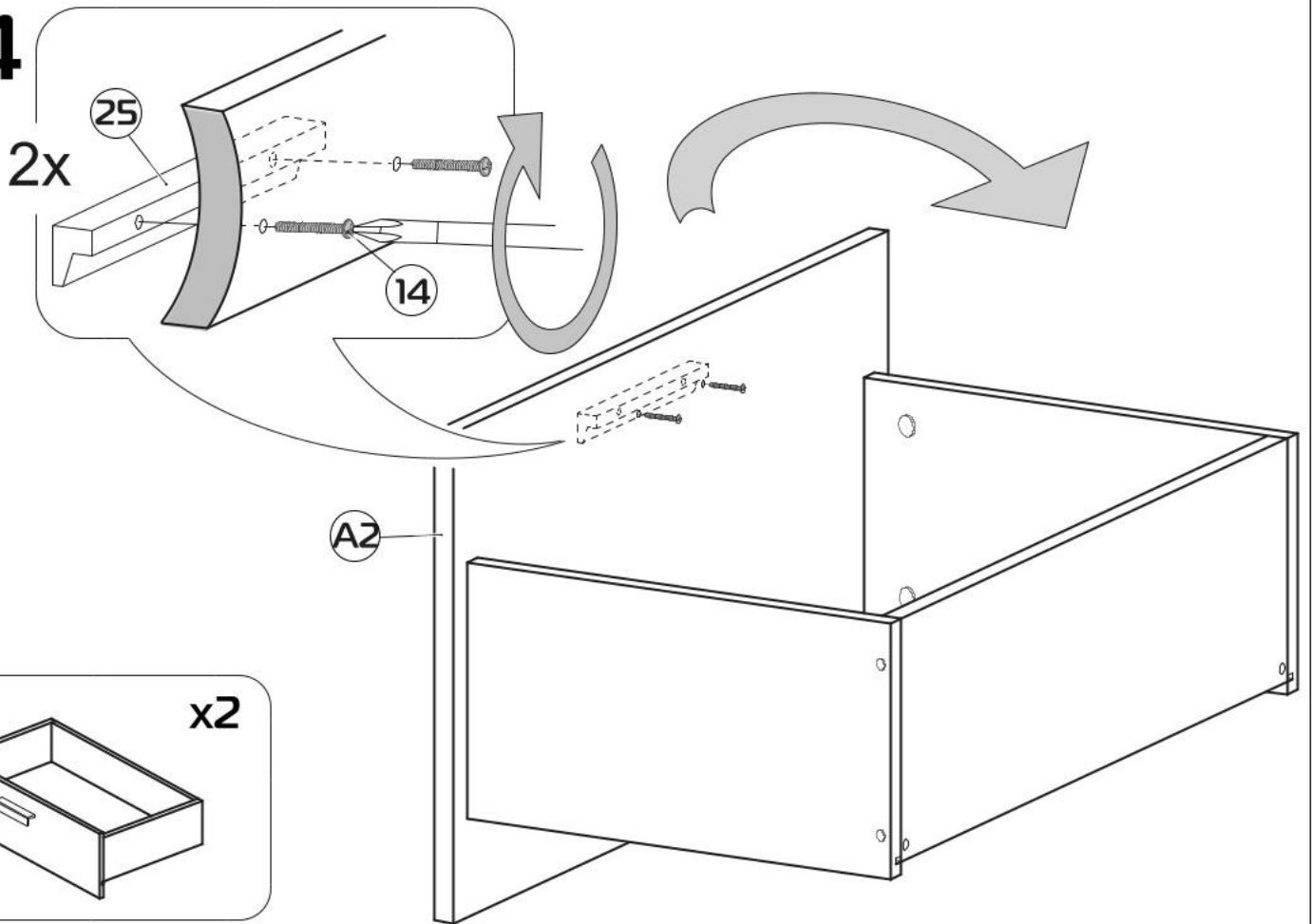
**4x**



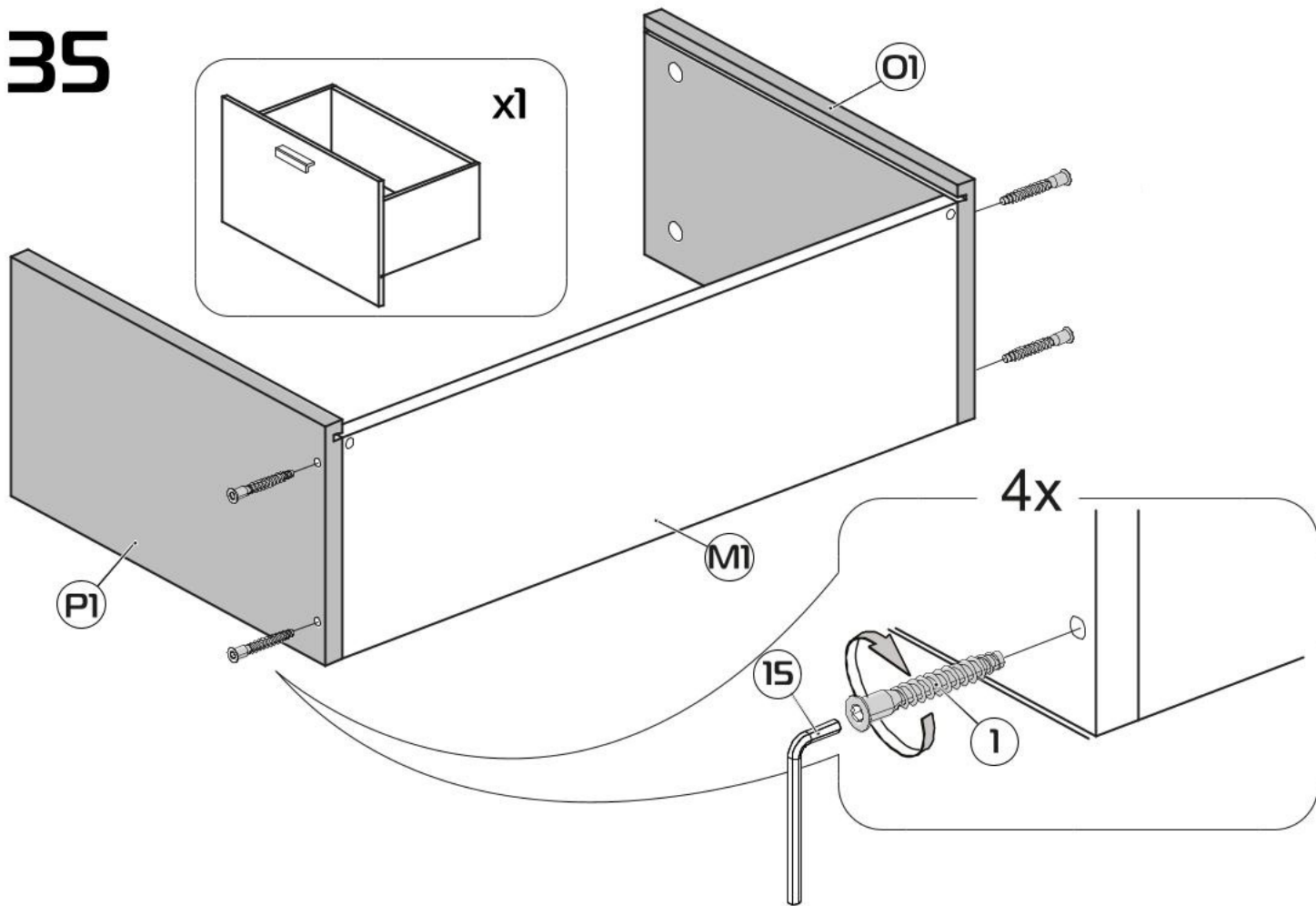
# 33



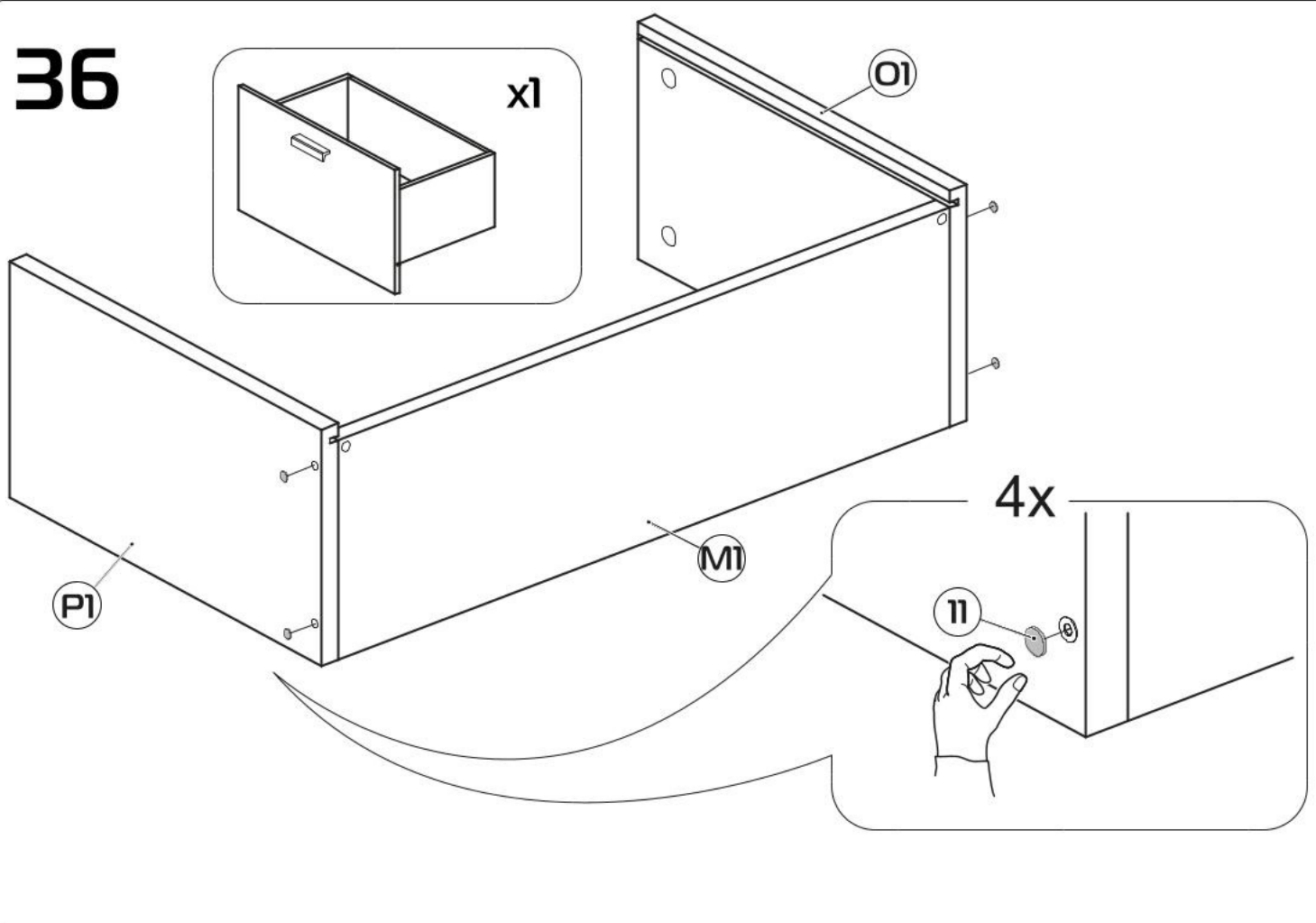
# 34



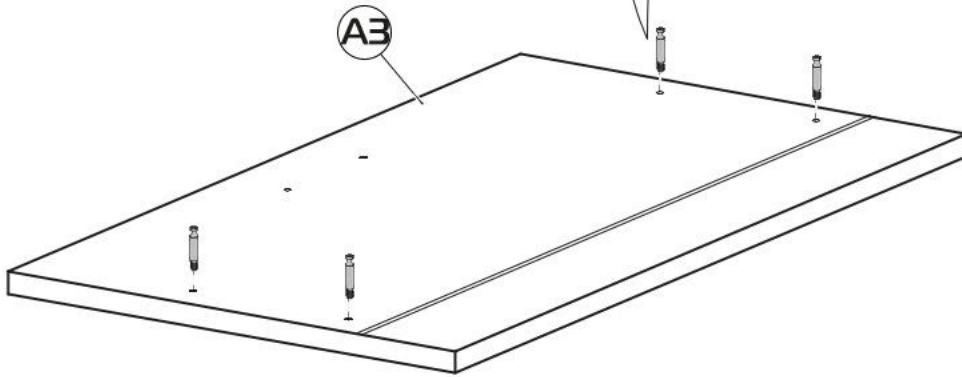
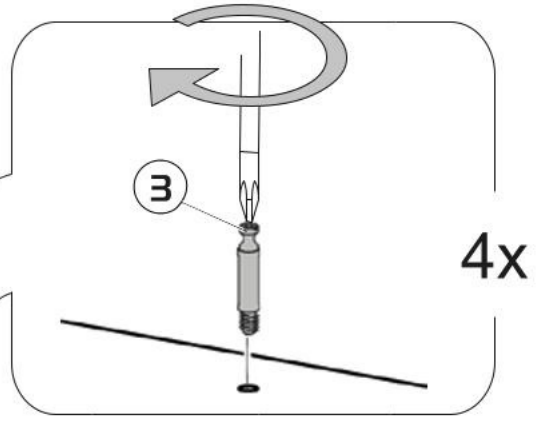
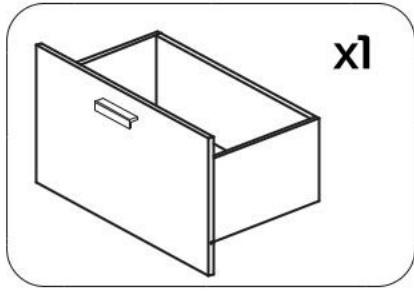
# 35



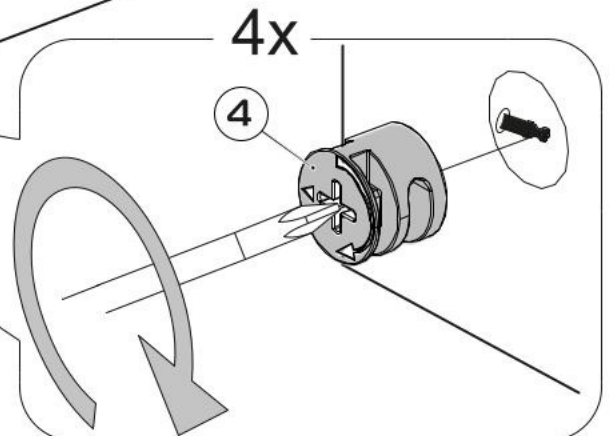
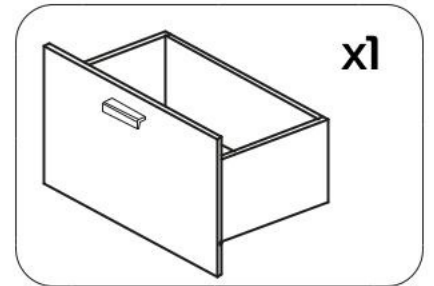
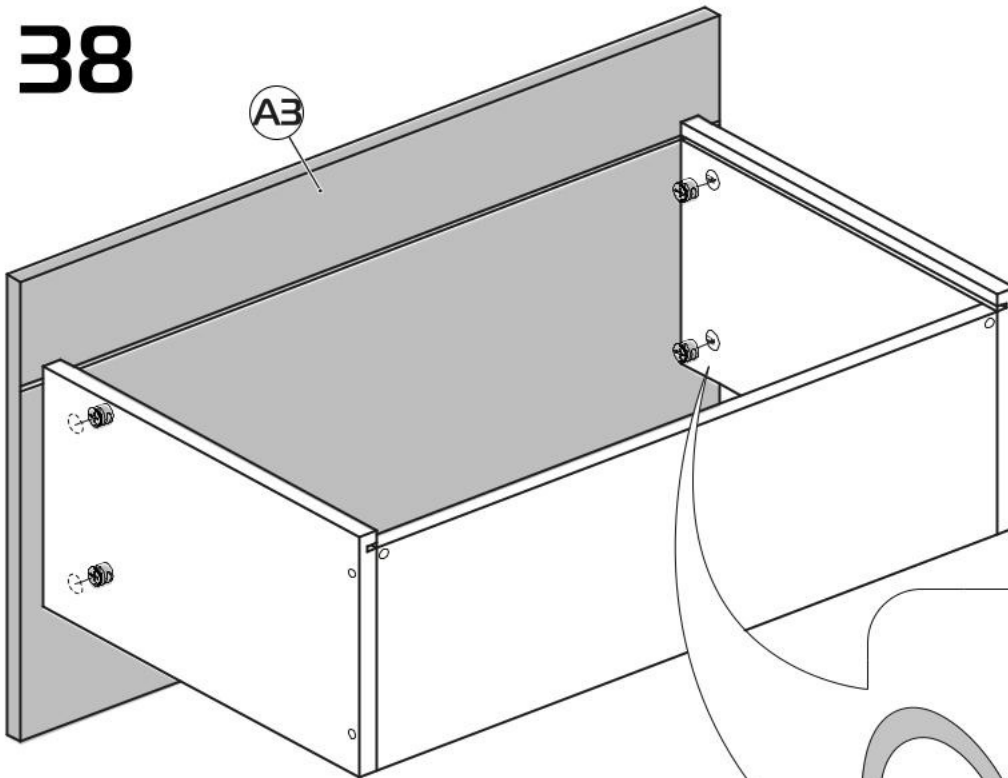
# 36



# 37

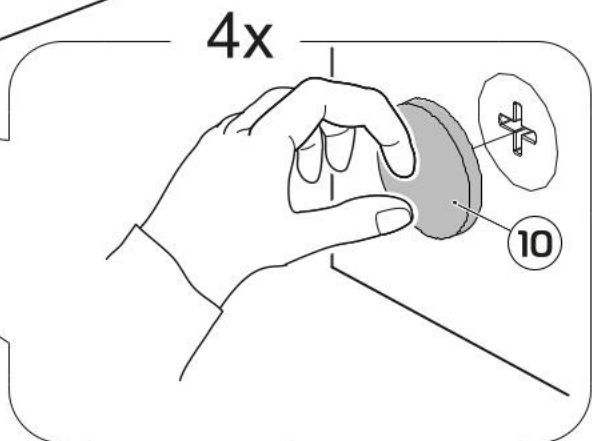
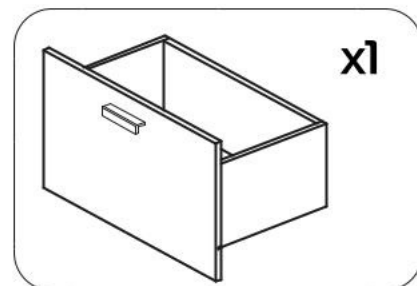
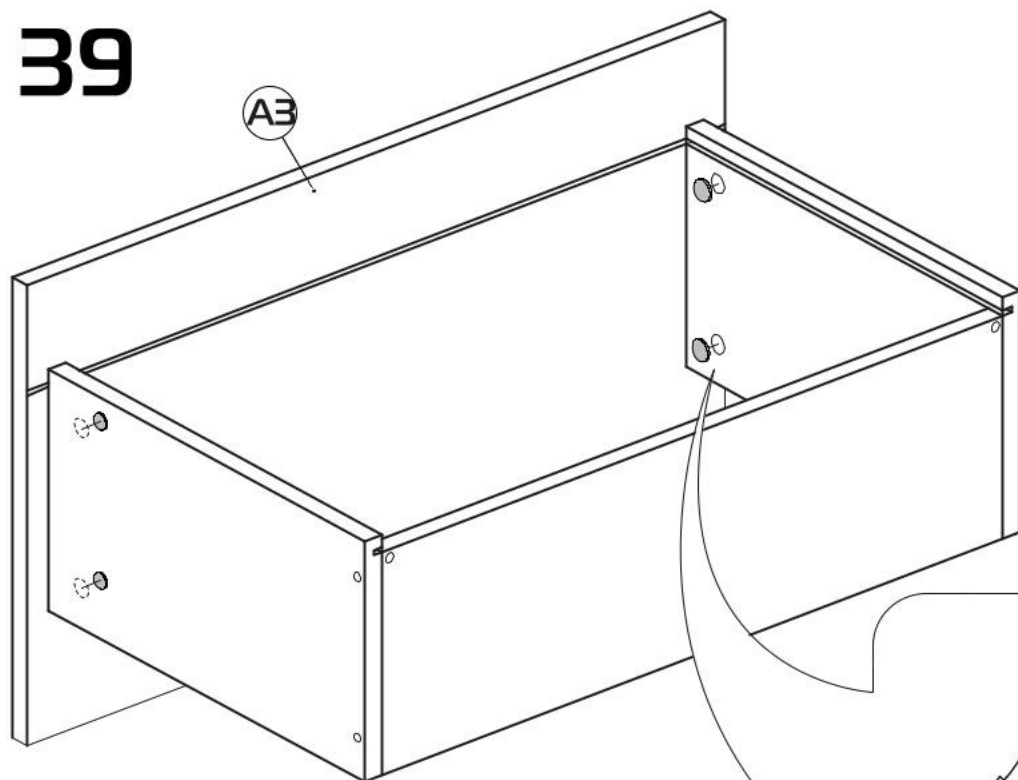


# 38

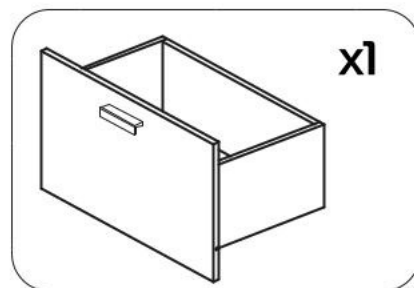
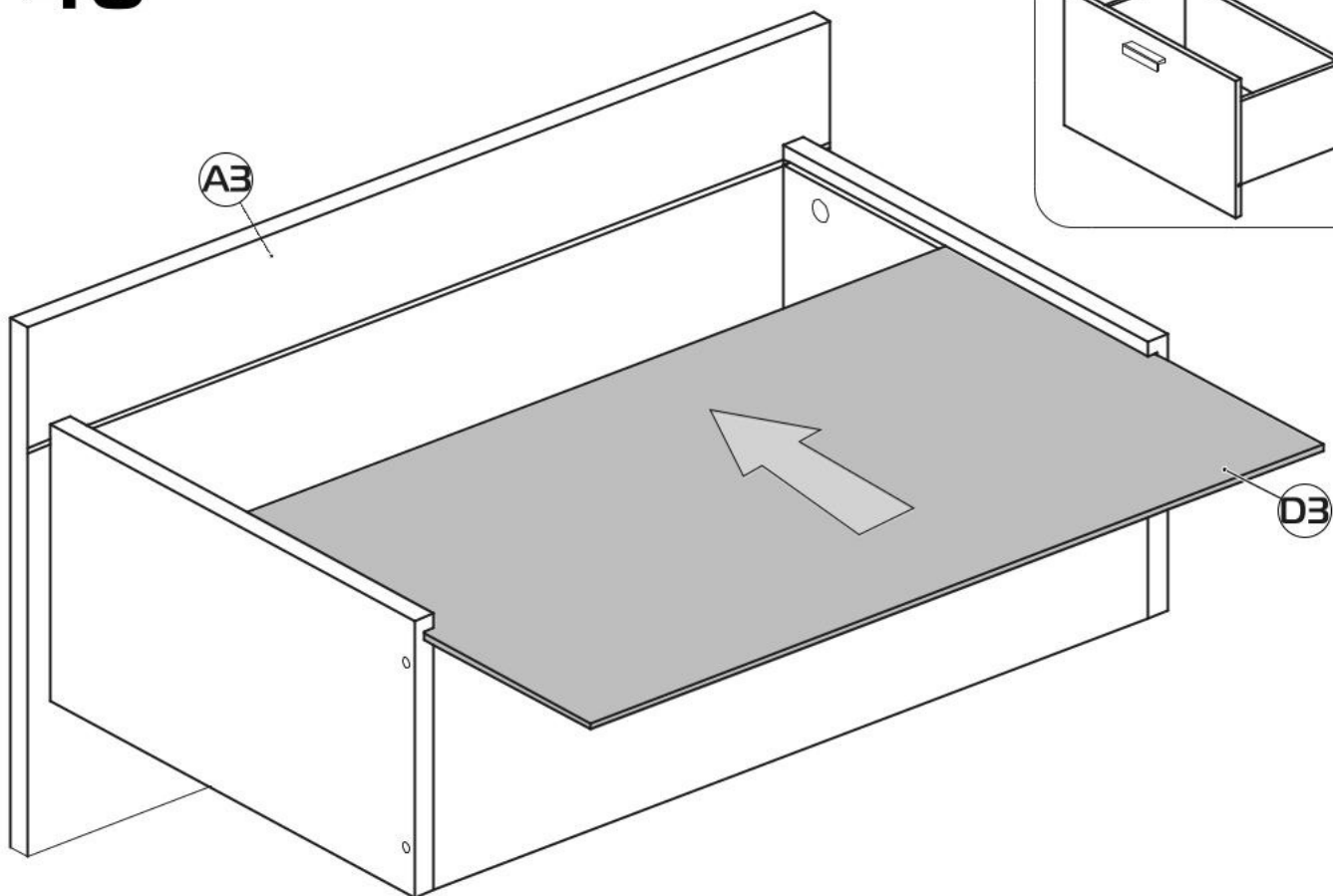




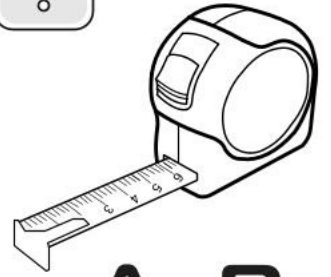
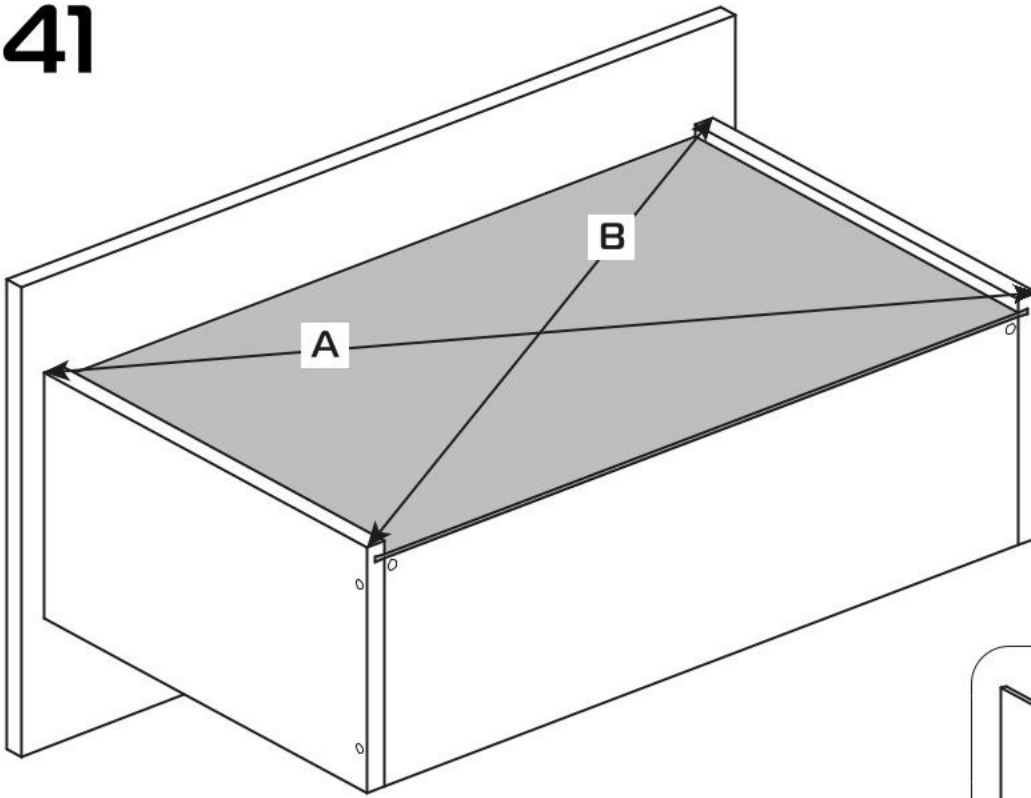
# 39



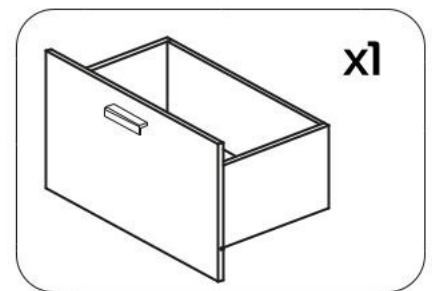
# 40



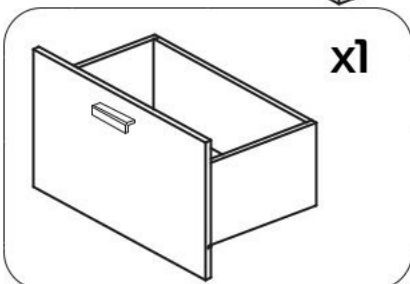
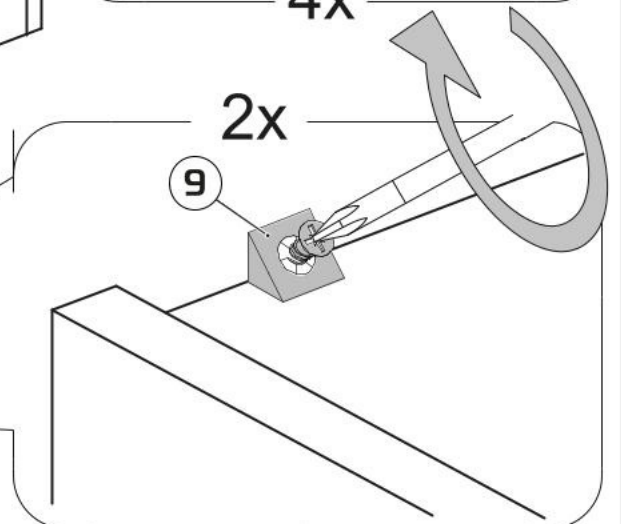
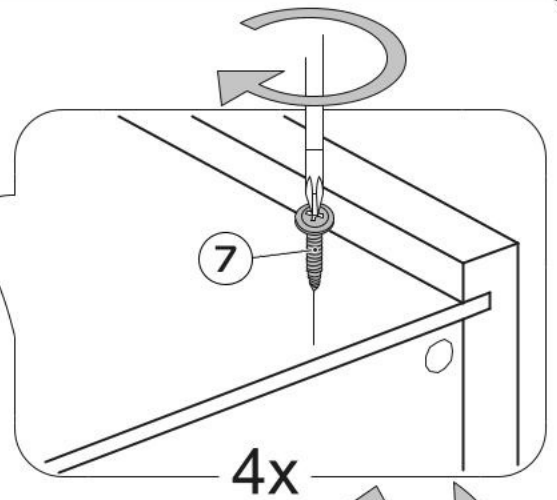
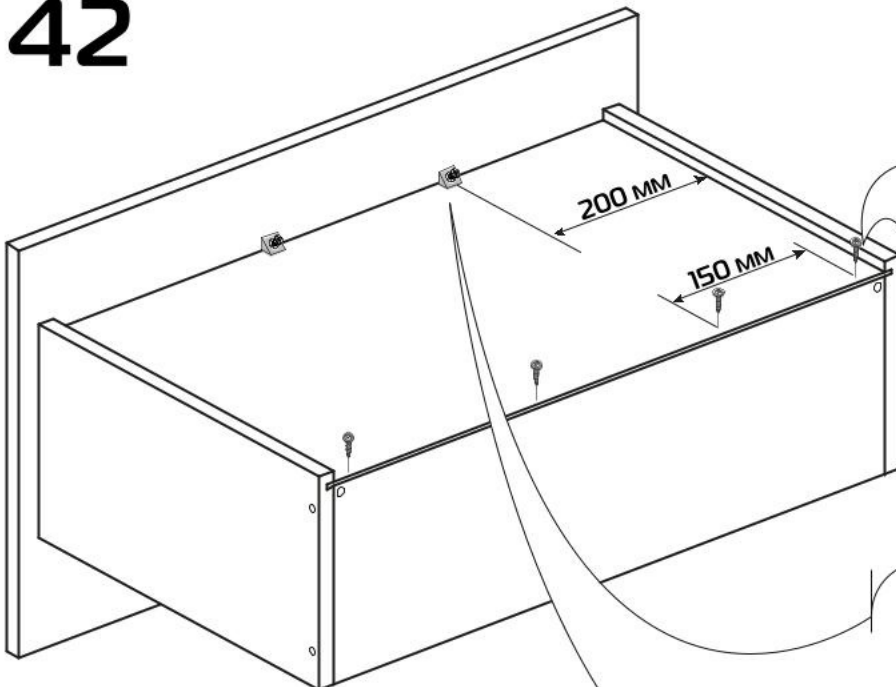
# 41



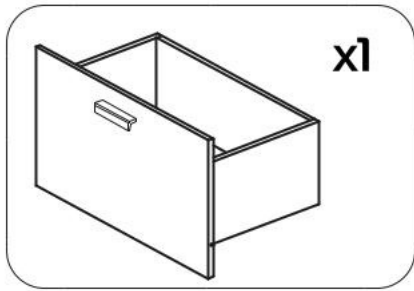
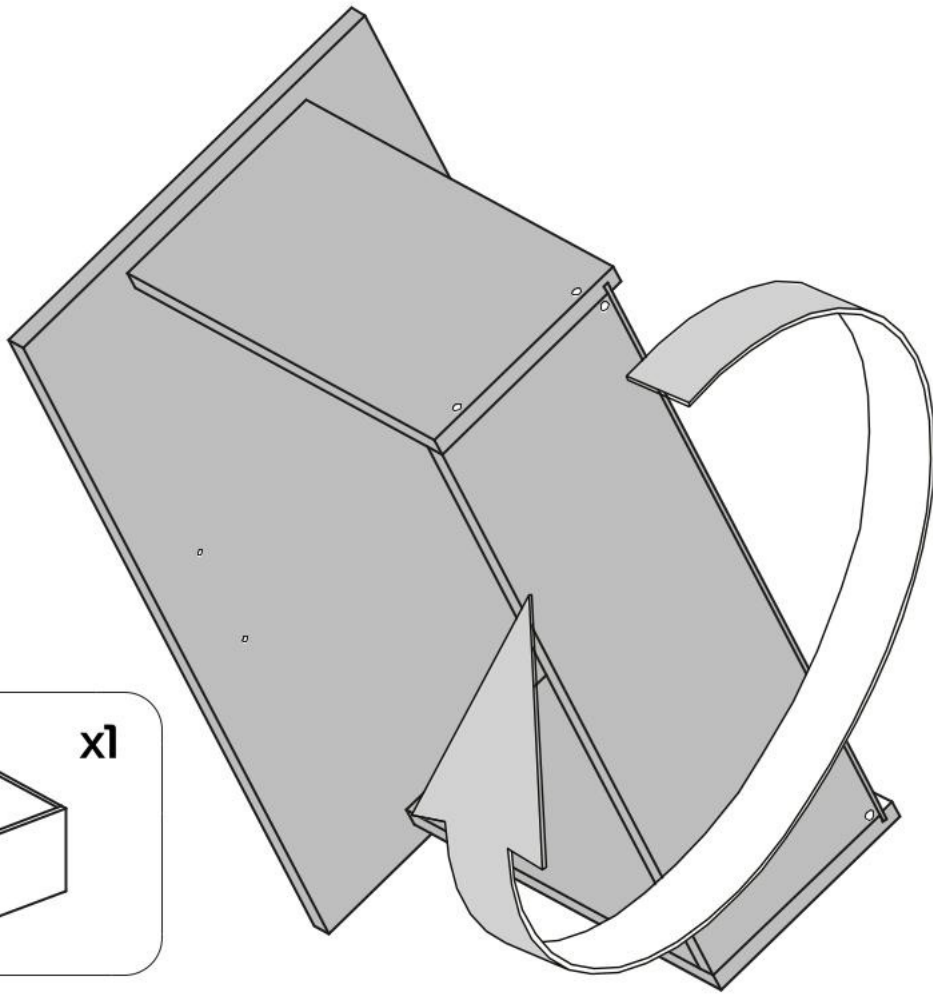
**A=B**



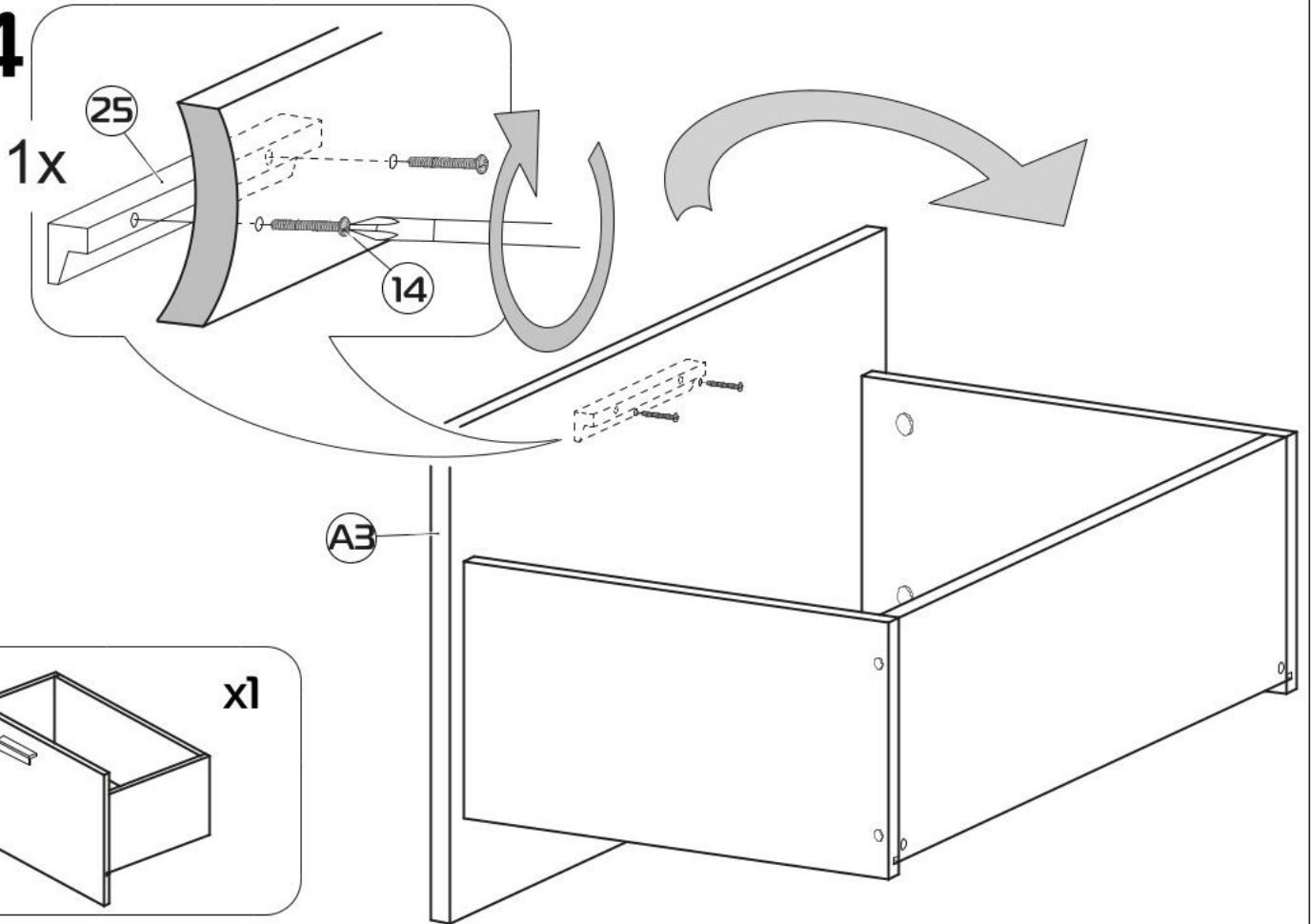
# 42



# 43



# 44



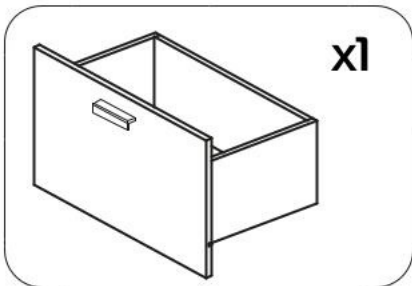
1x

25

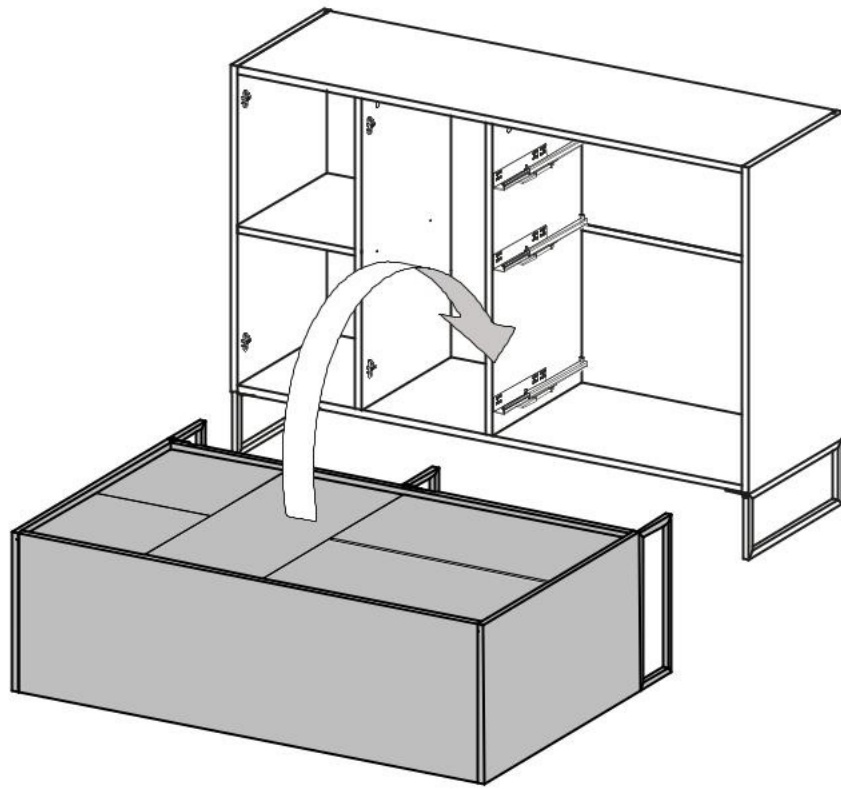
14

A3

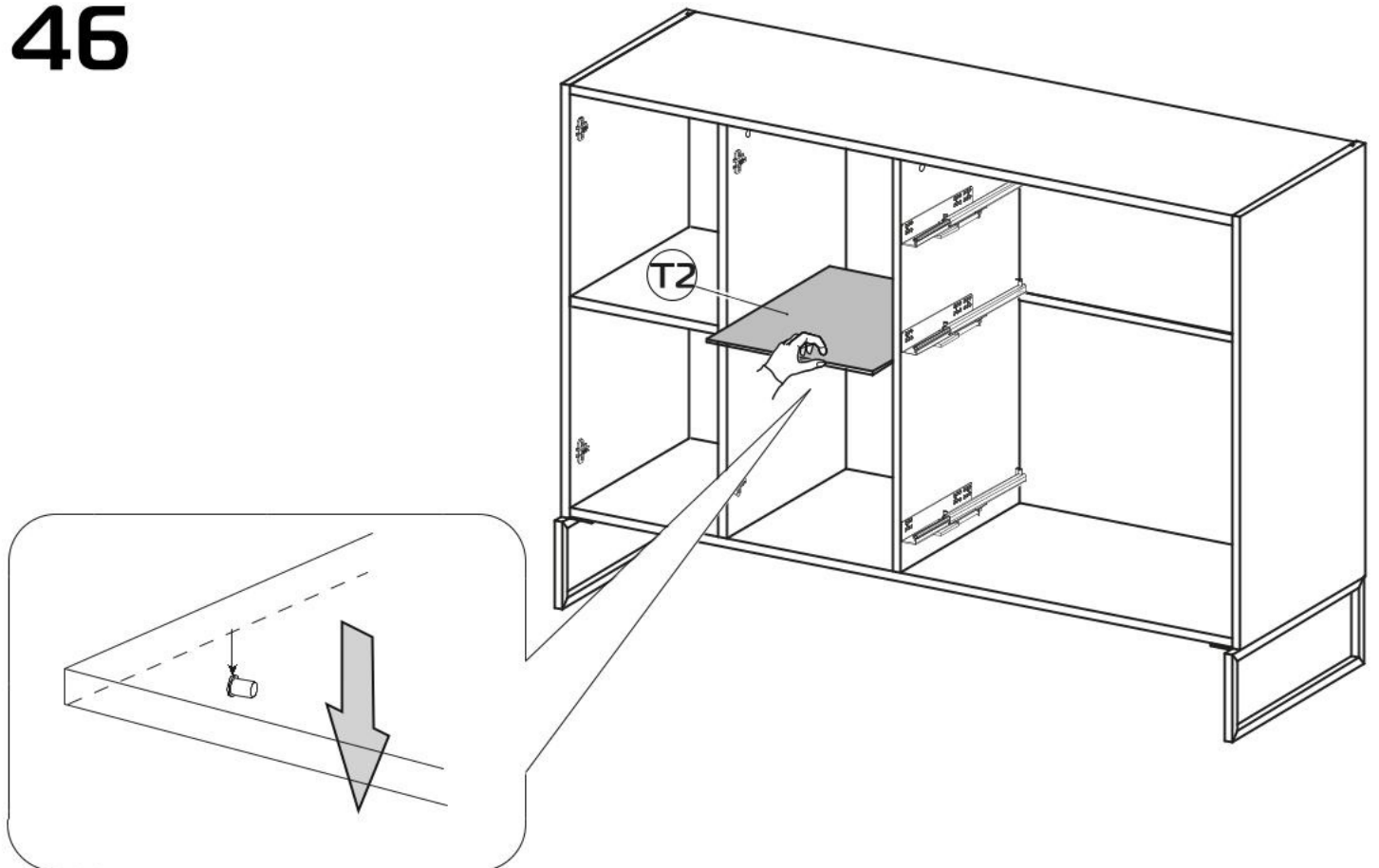
x1



# 45

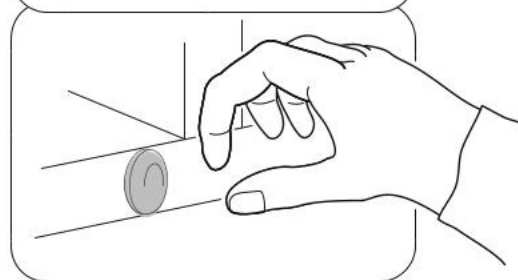
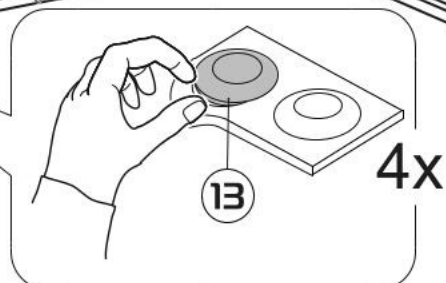
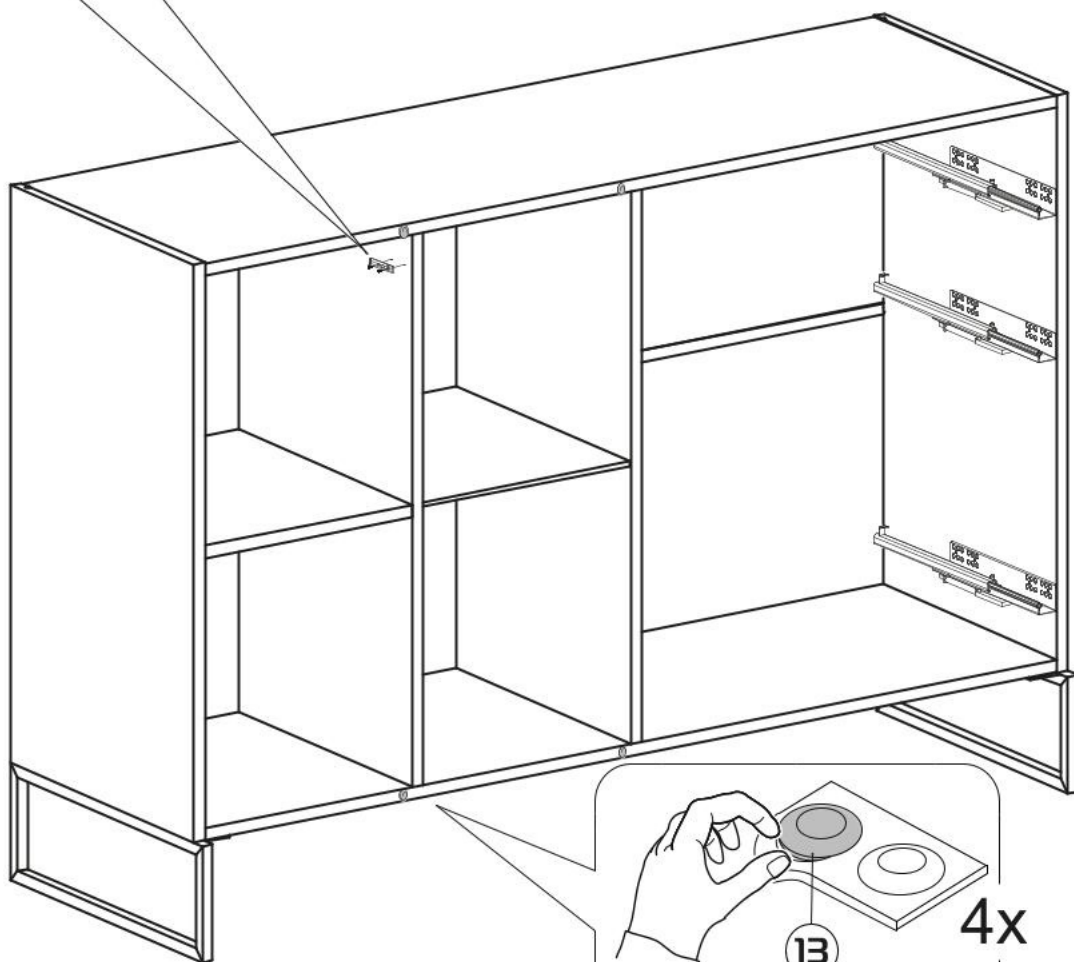
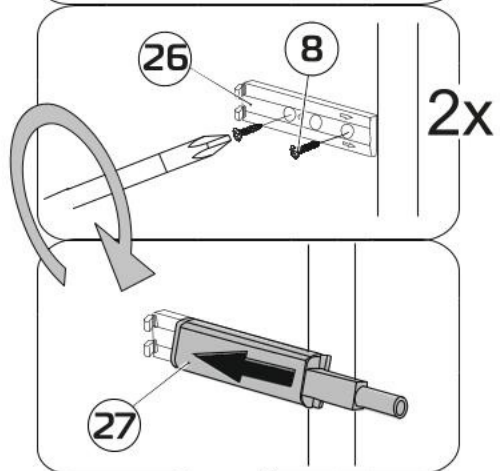
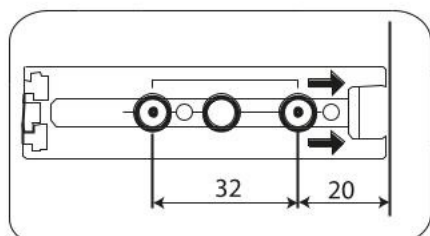


# 46

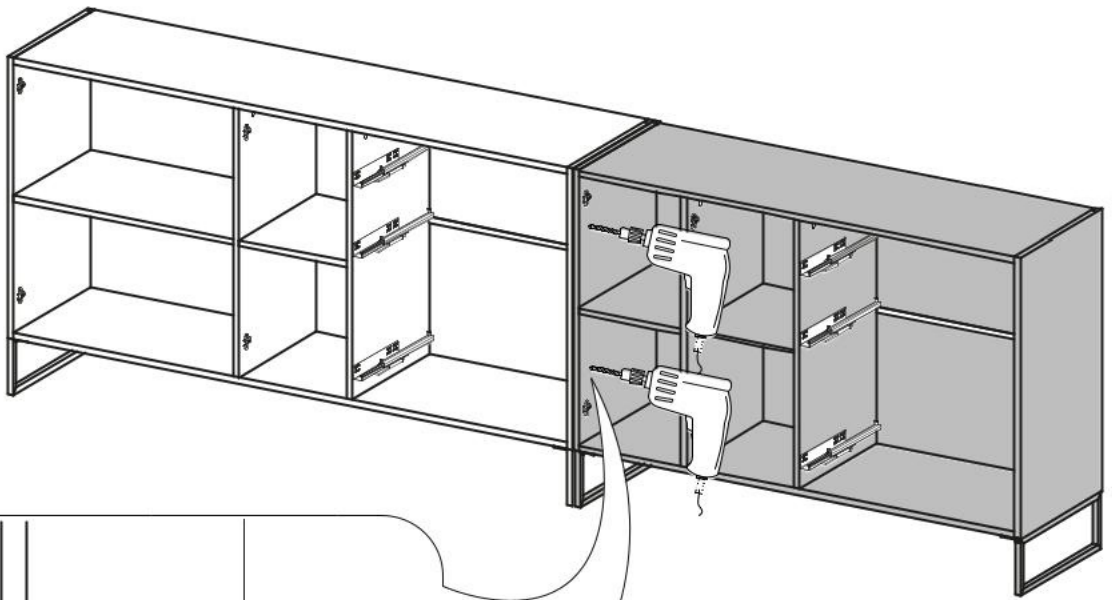




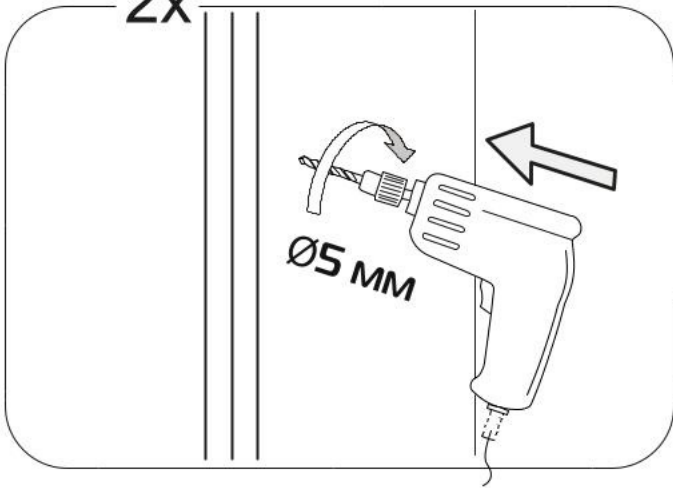
# 48



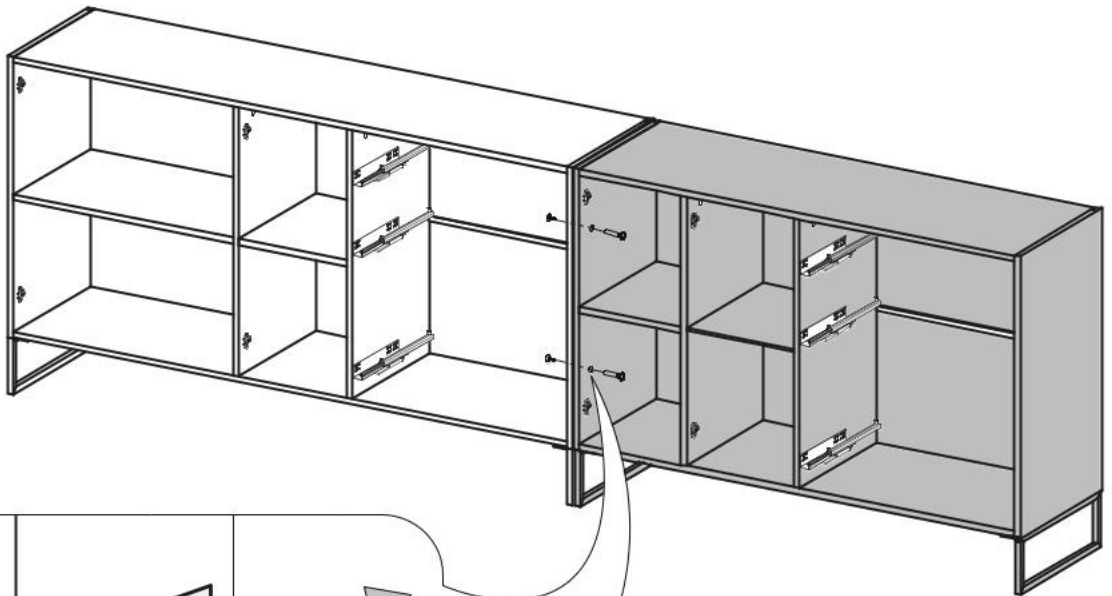
# 49



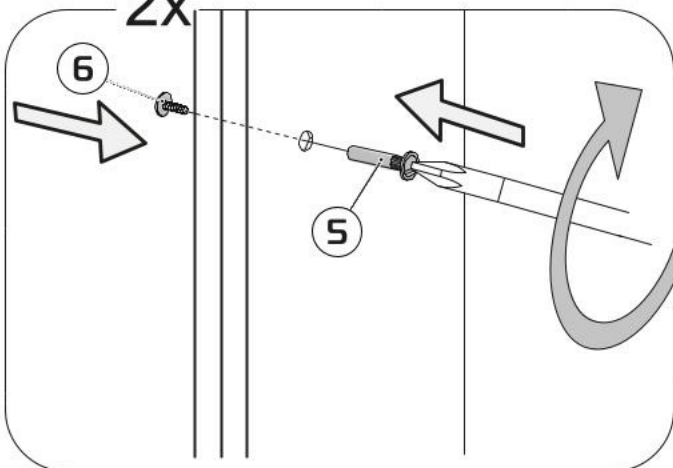
2x



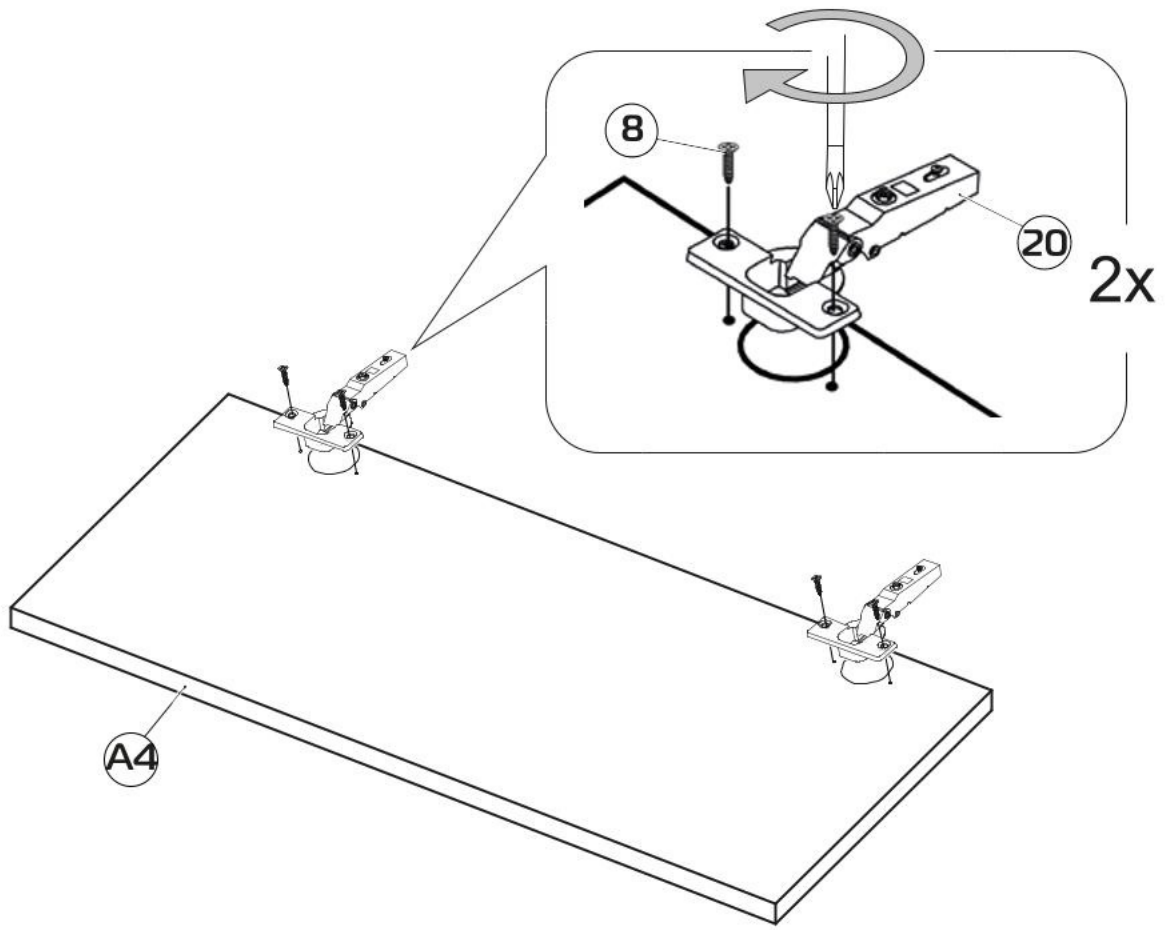
# 50



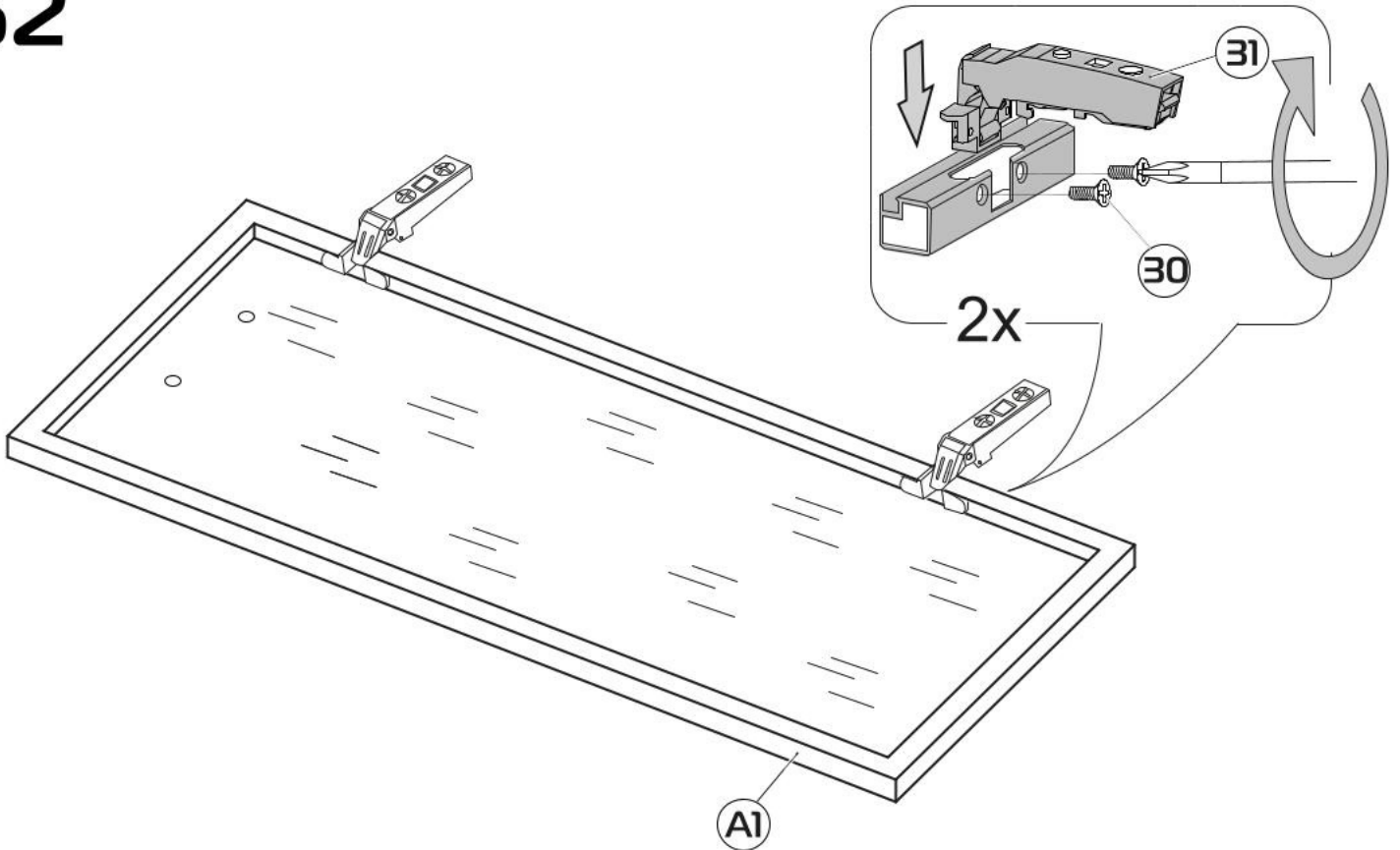
2x



# 51

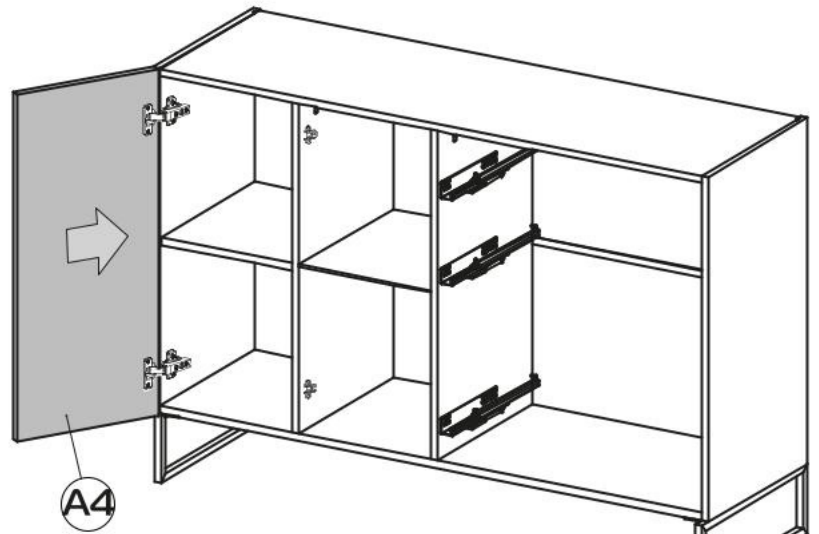
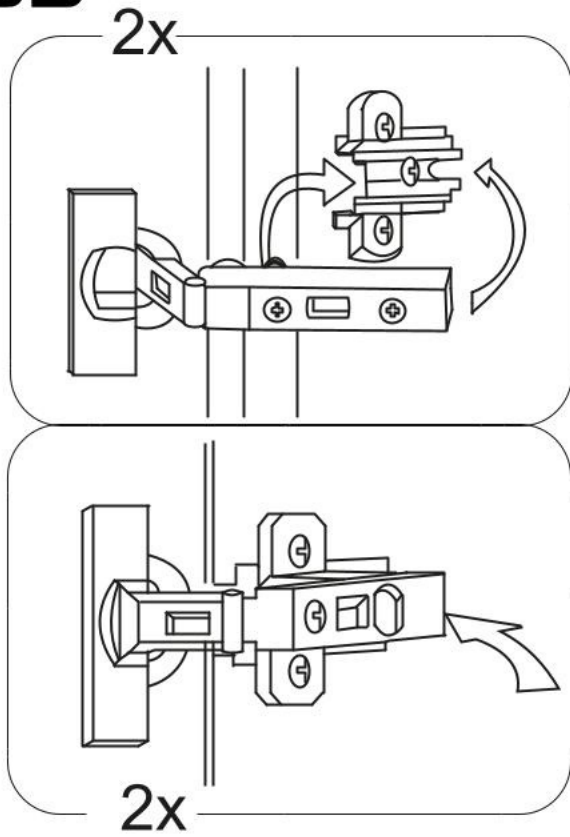


# 52

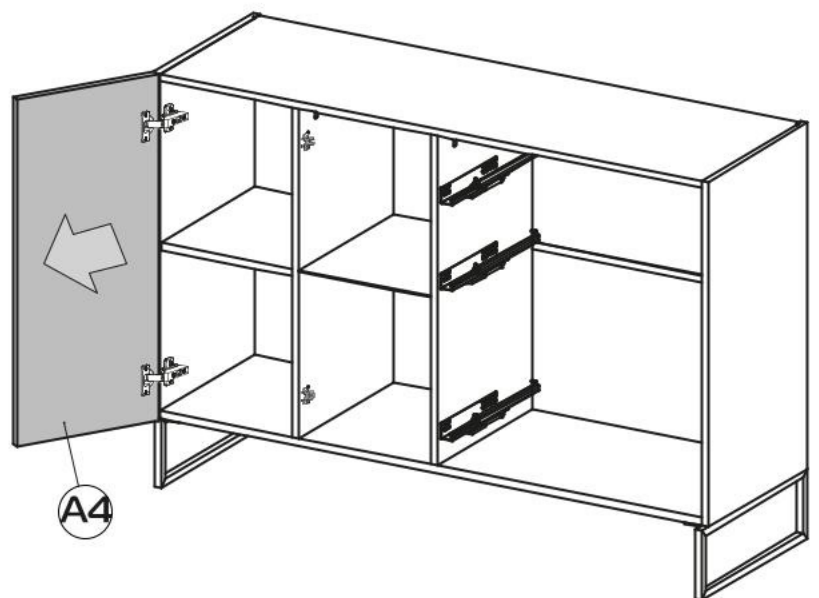
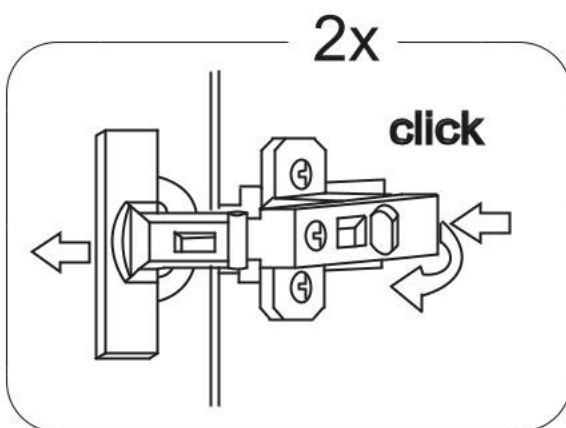




# 53

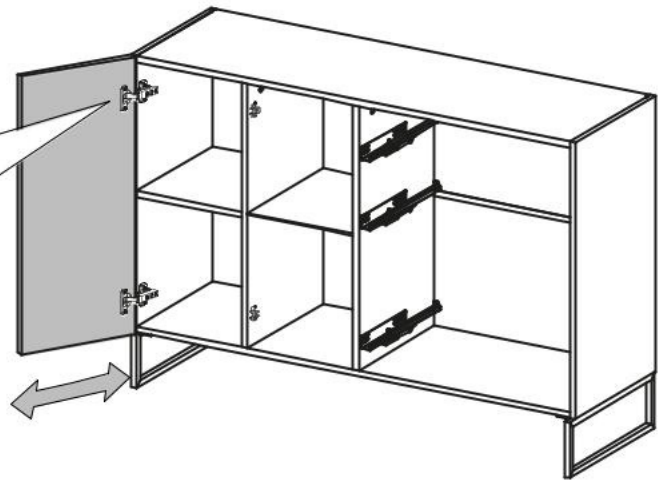
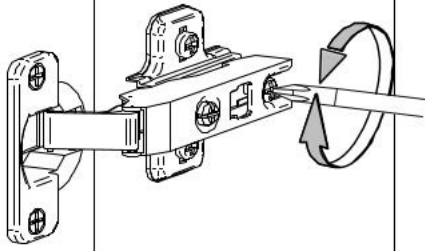


# 54

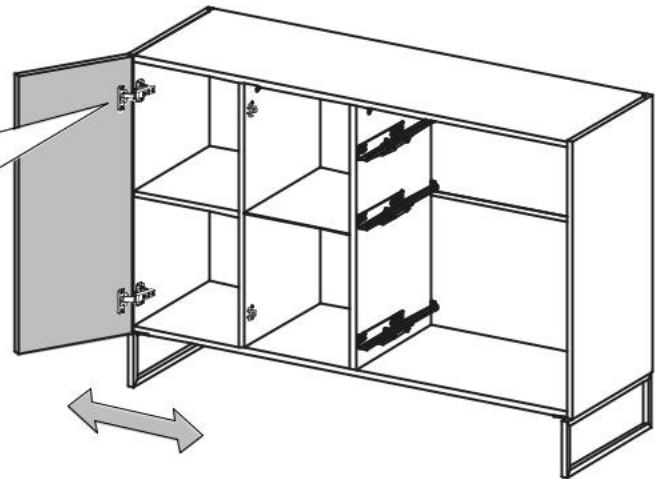
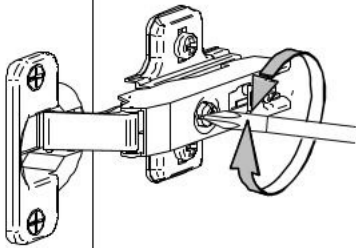


# 55

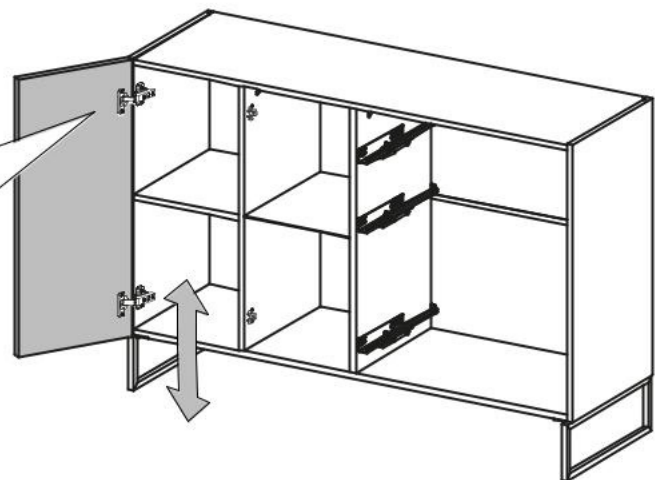
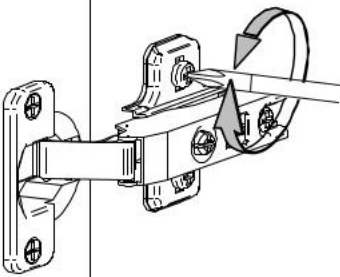
2x



2x

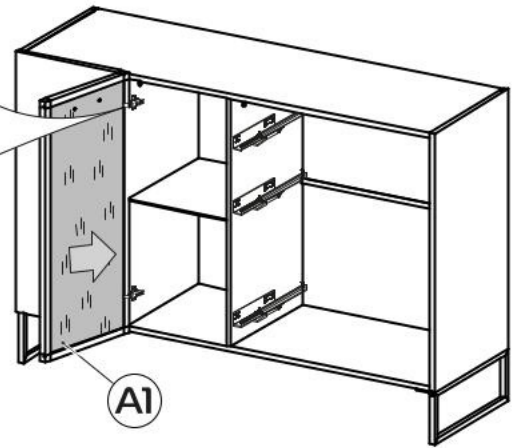
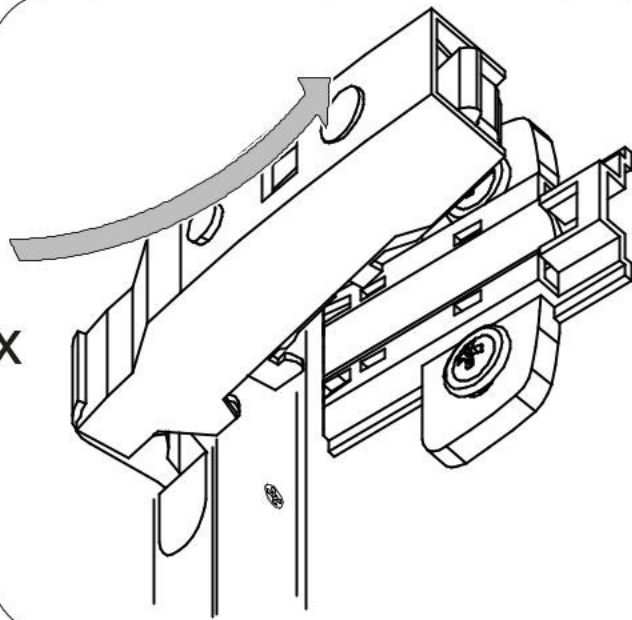


2x



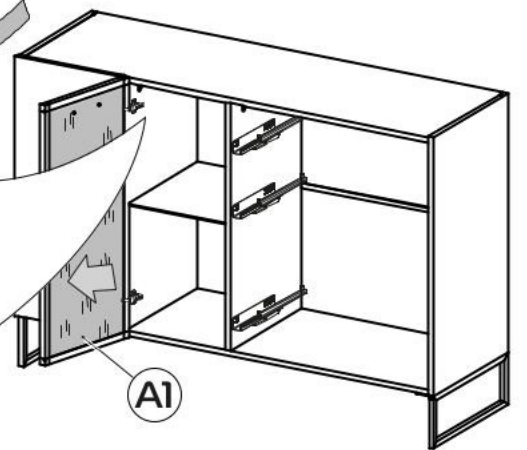
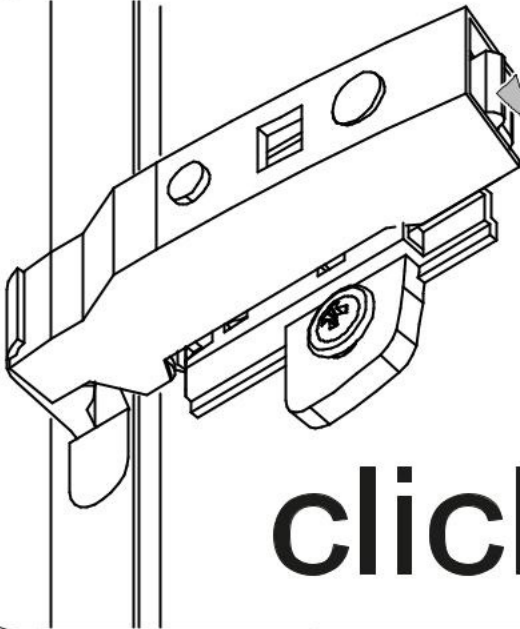
56

2x



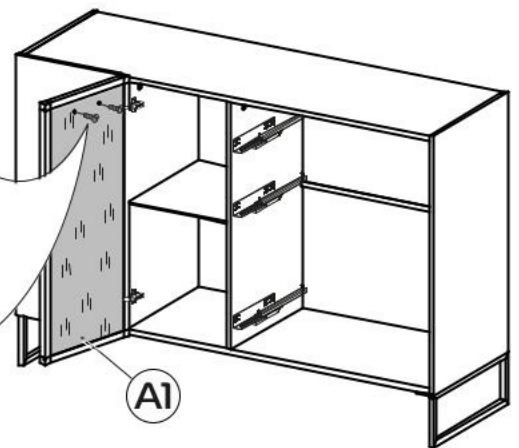
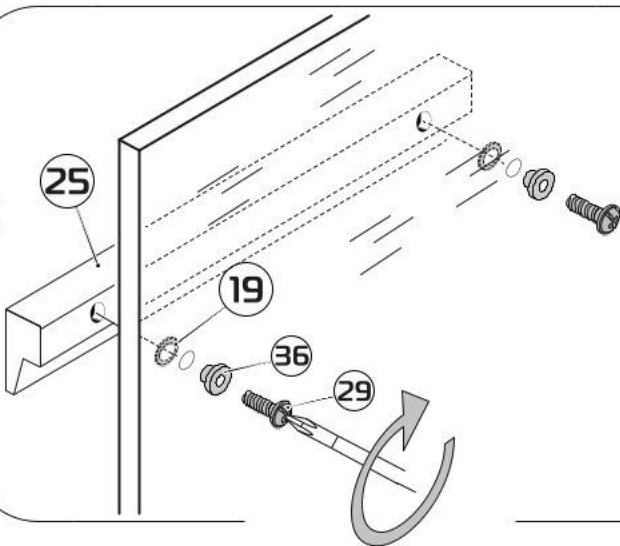
57

2x

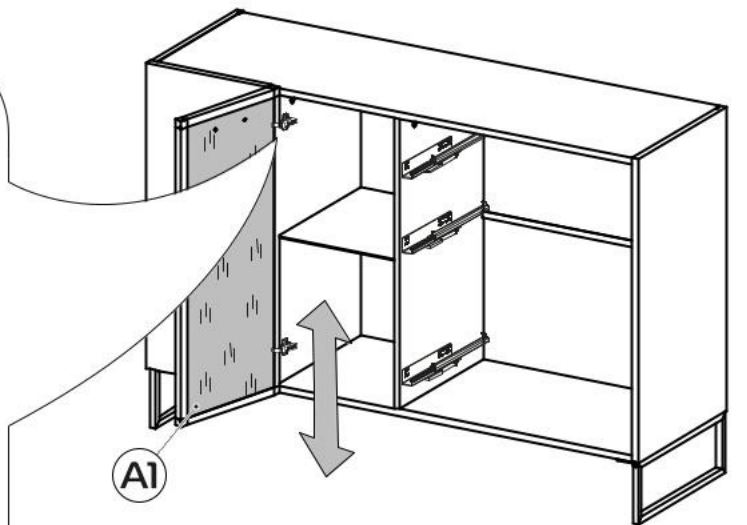
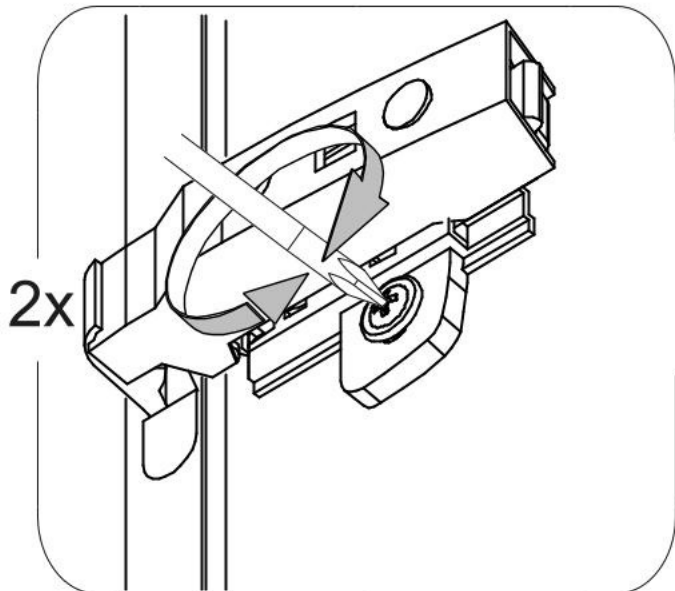
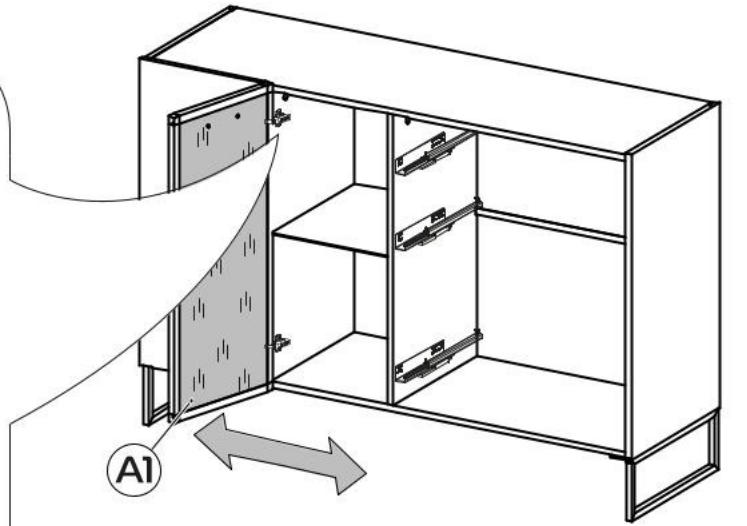
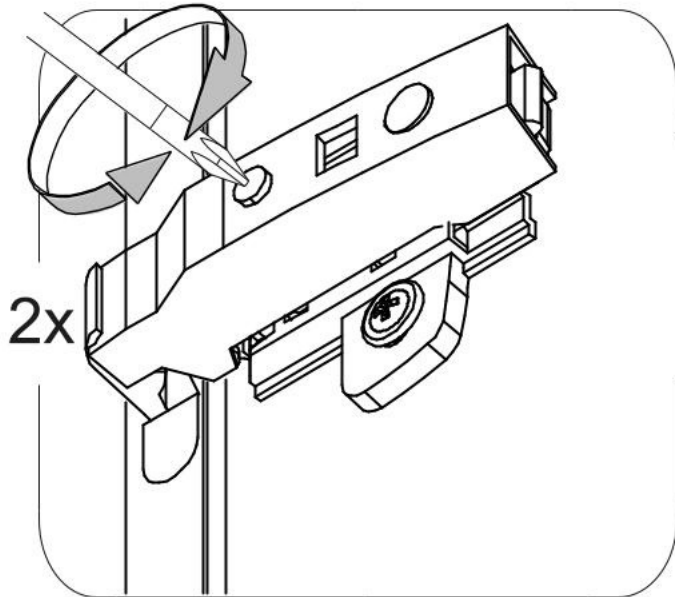
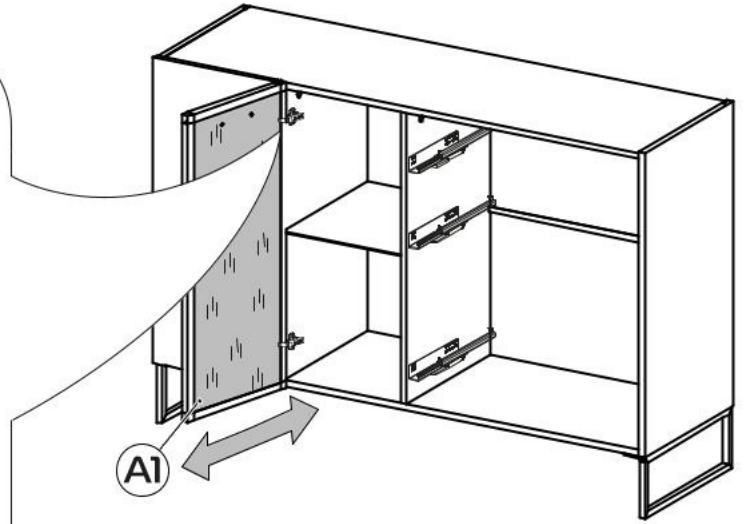
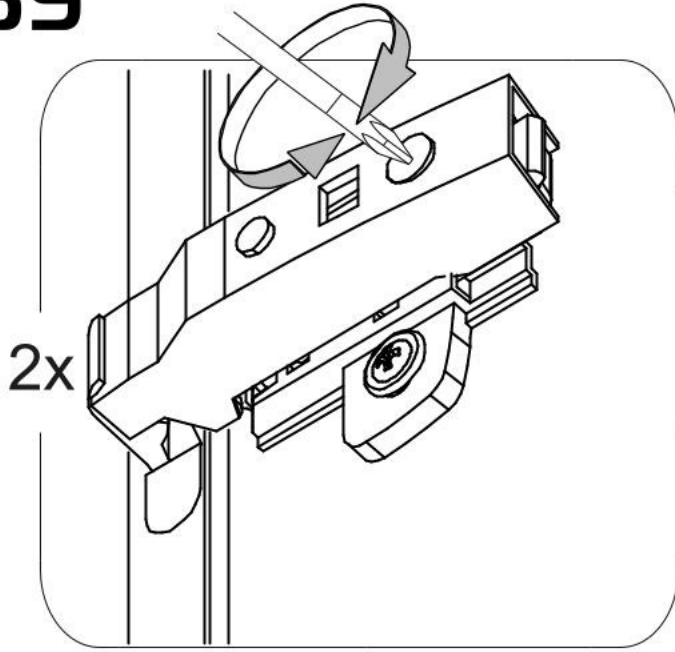


58

1x

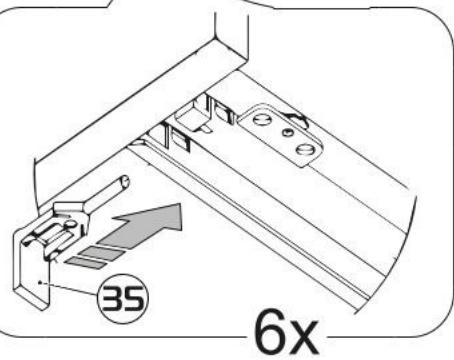
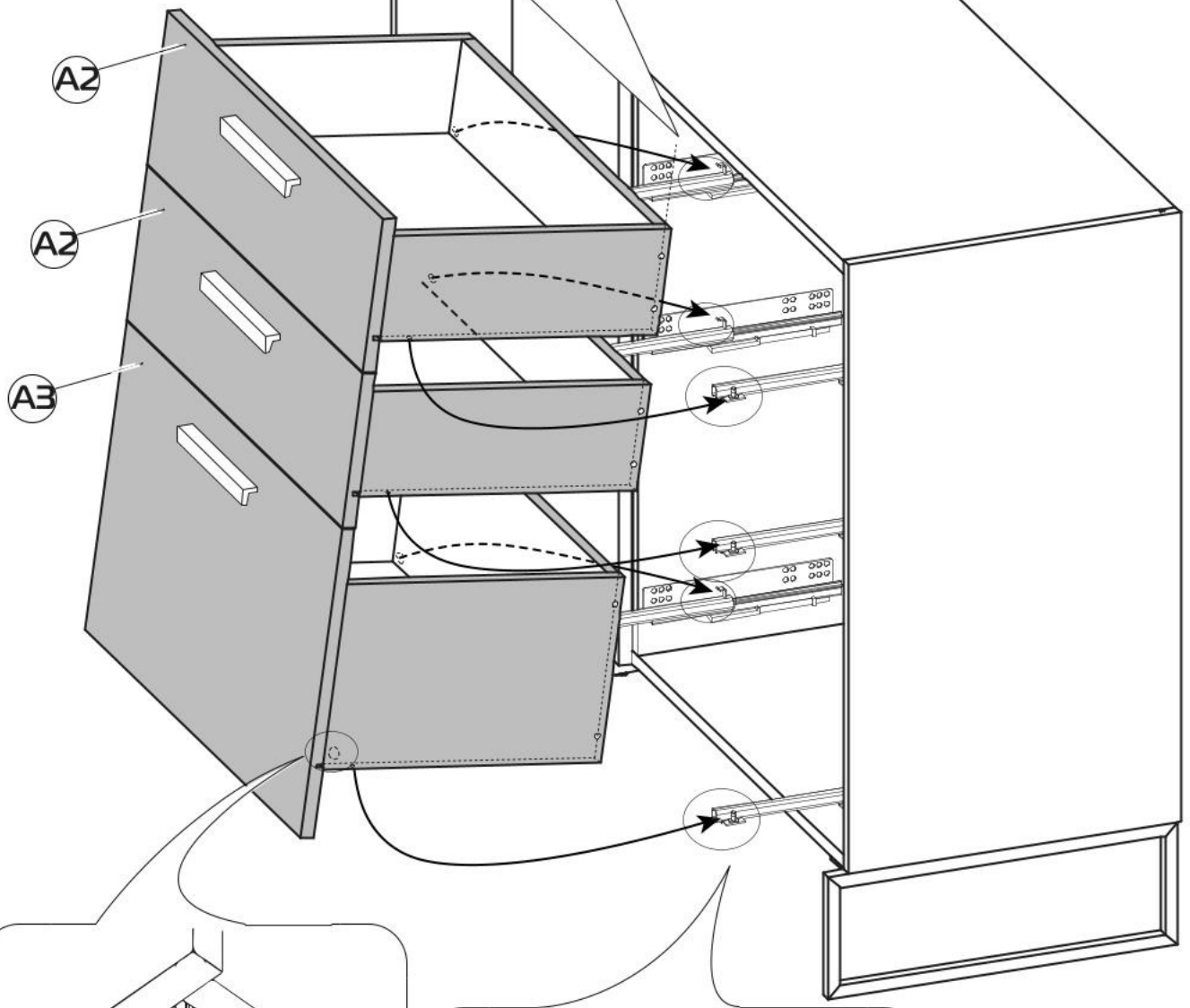


59

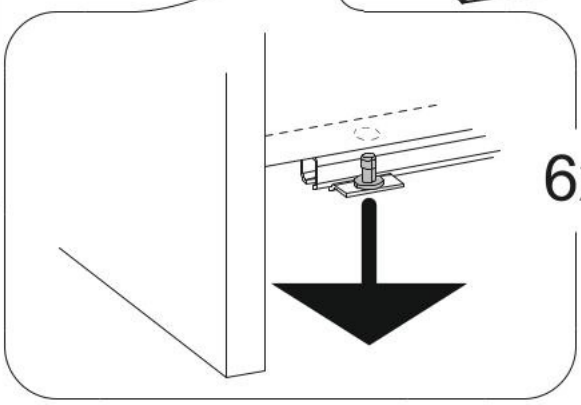


60

6x



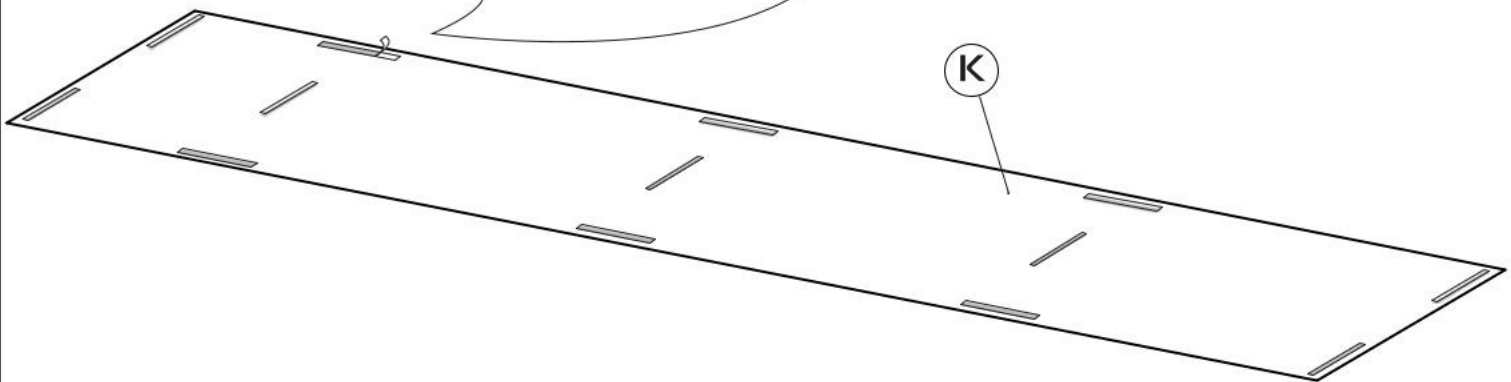
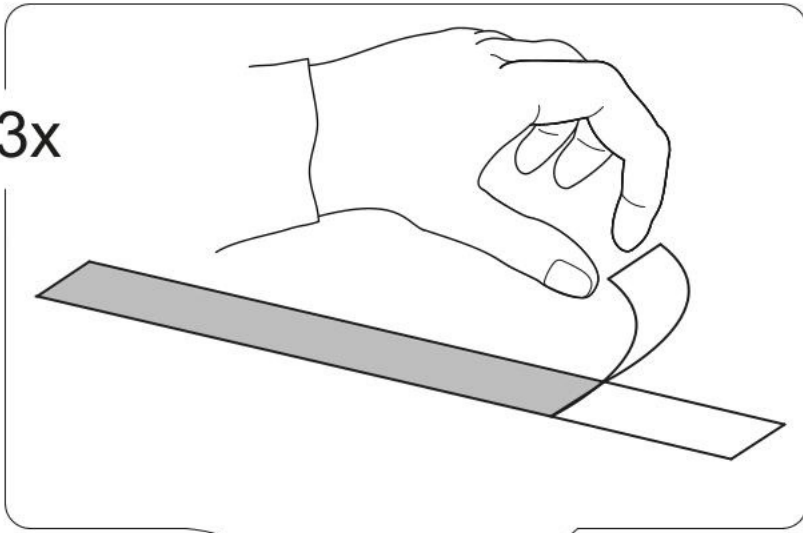
6x



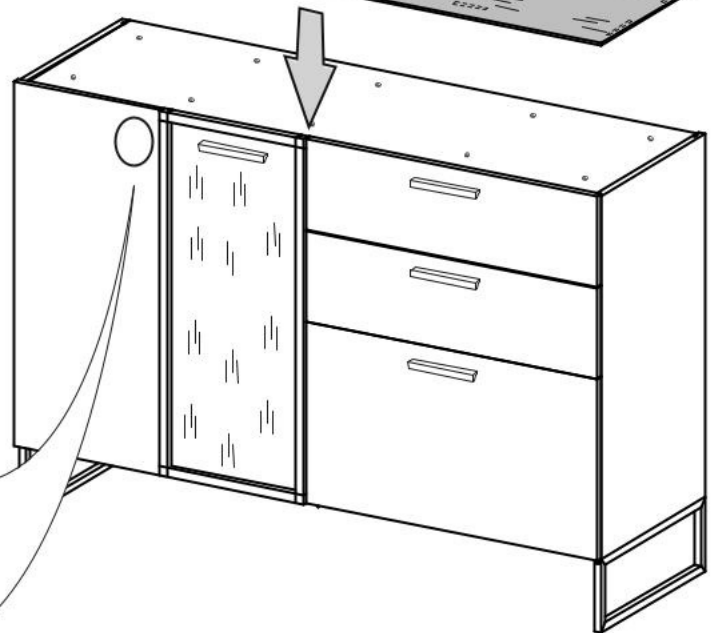
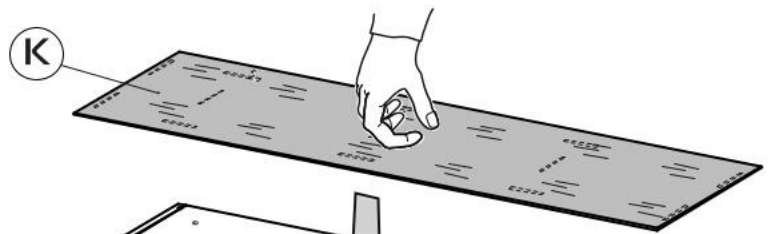
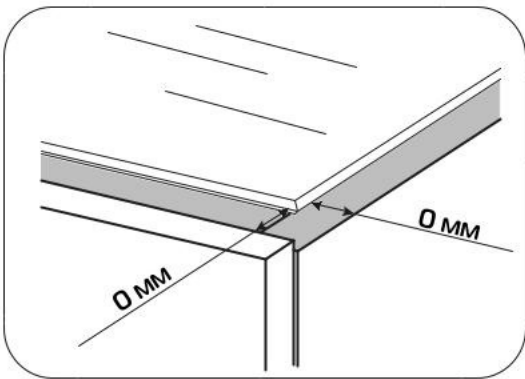
6x

# 61

13x



# 62



1x

