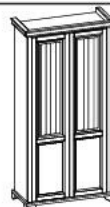


Dvoudveřová šatní skříň na nožkách

Annie

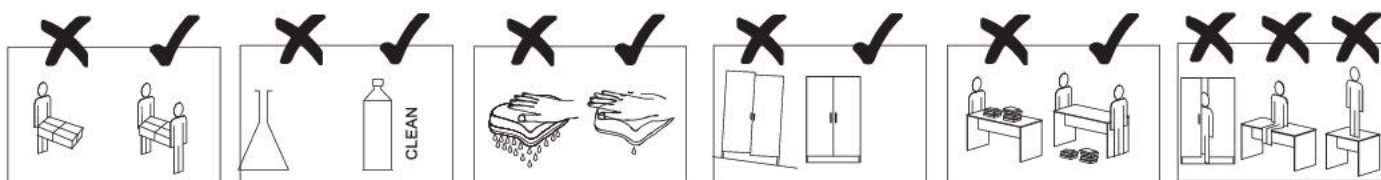
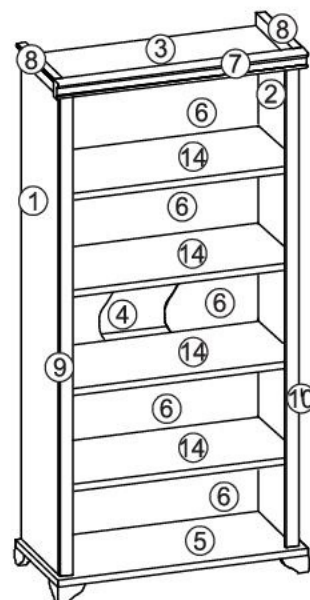
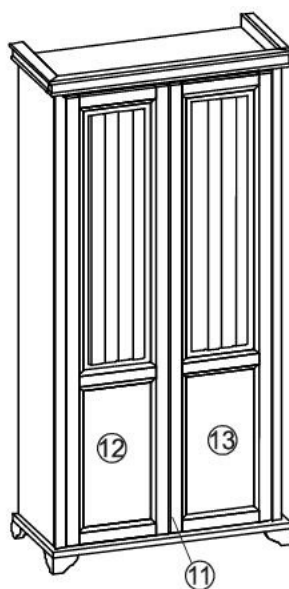
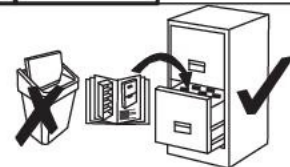







	1000
	2220
	512

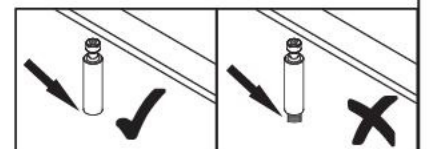
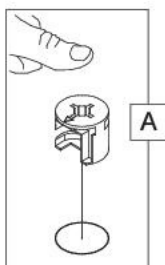
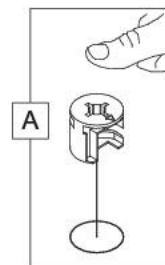
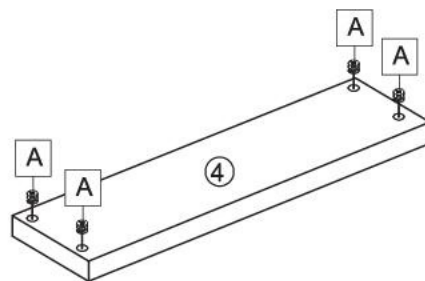
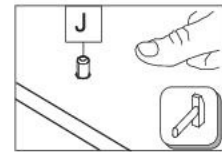
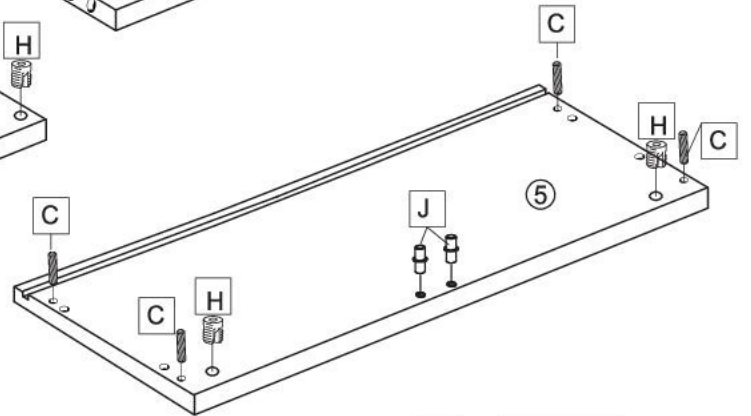
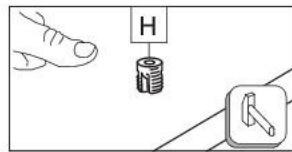
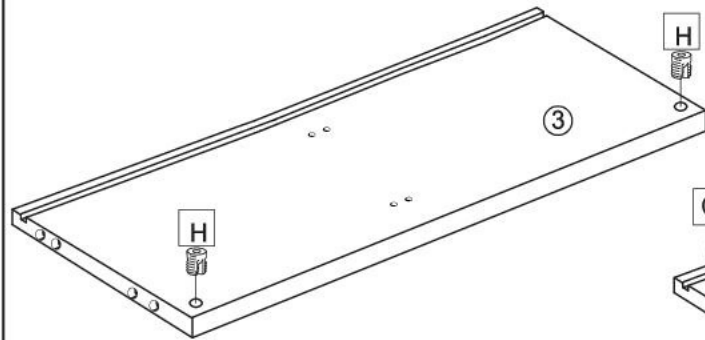
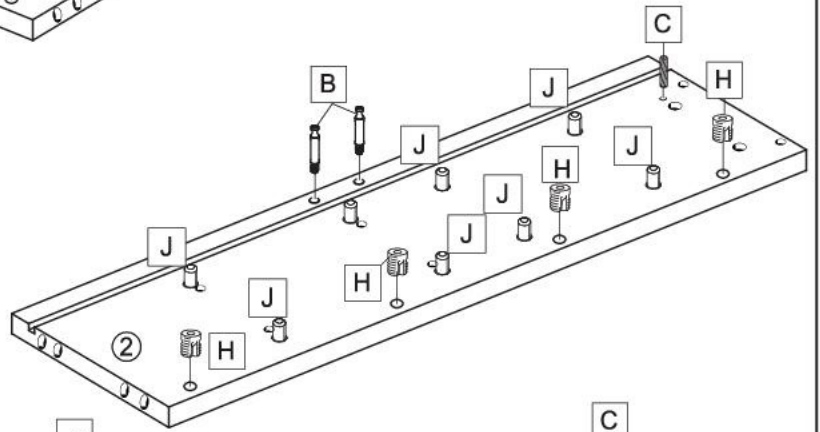
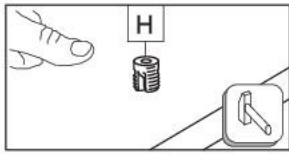
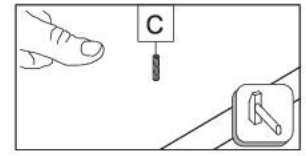
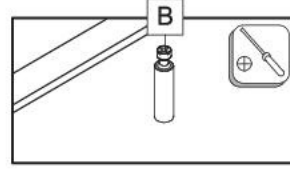
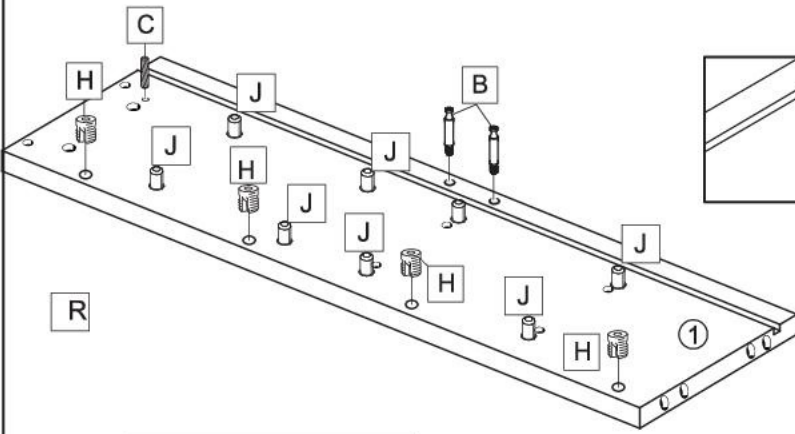
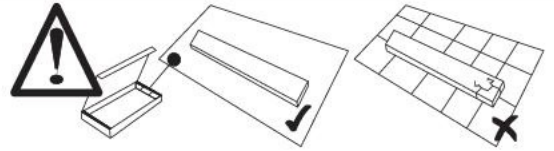
A	x4	B	x4	C	x6	D	x6	E	x12	F	x41	G	x4	H	x24	I	x24	J	x18
K	x2	L	x2	M	x12	N	x24	O	x12	P	x4	S	x4	T	x3	U	x4	V	x4
W	x4	Z	x16			R	x6	X	x2	Y	x1	b	x2	c	x2	d	x4	e	x4

	0h120min		600mm	0.5kg	3m				

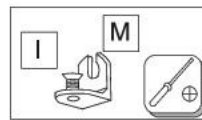
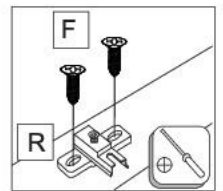
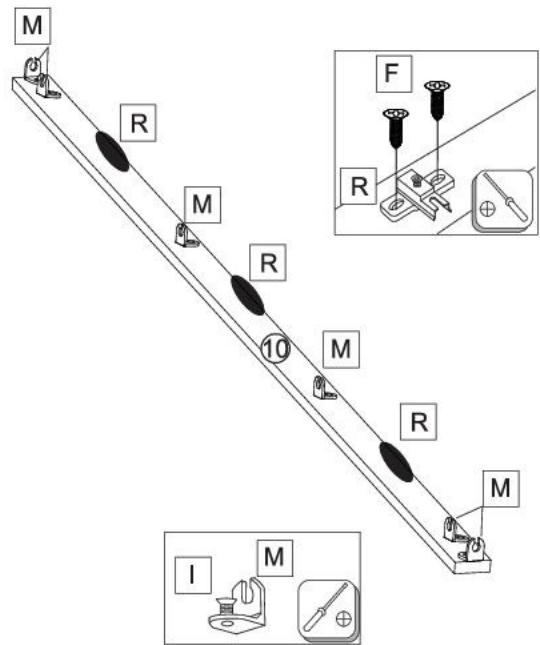
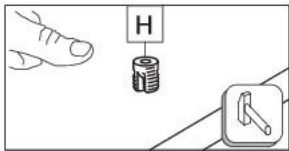
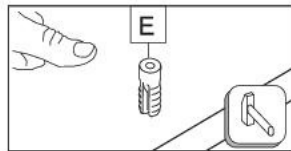
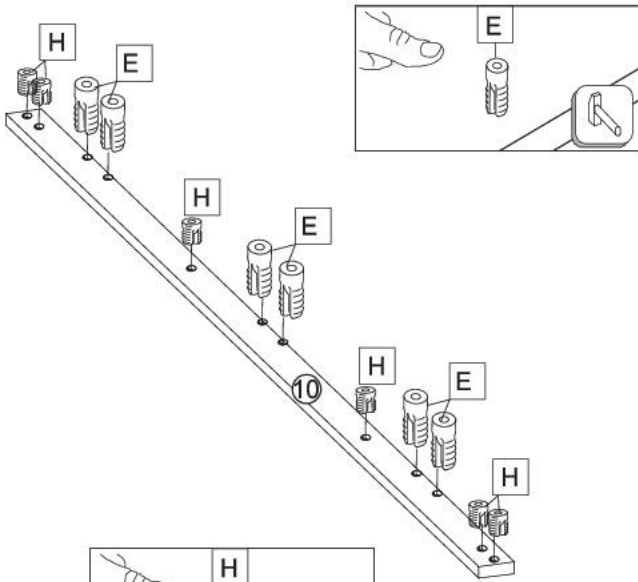
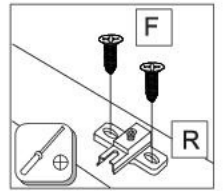
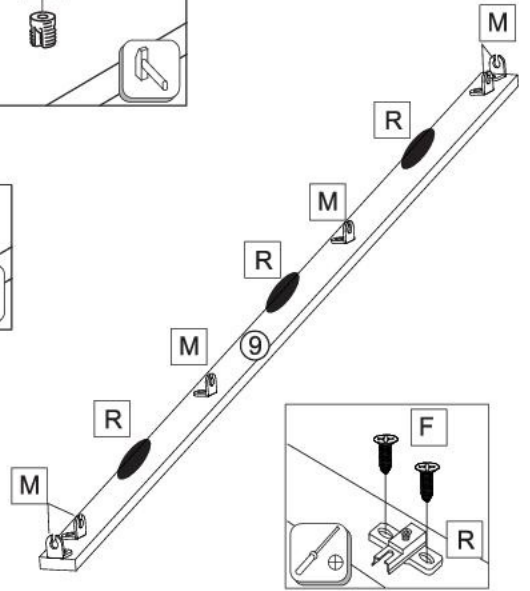
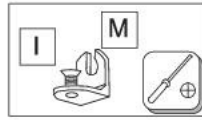
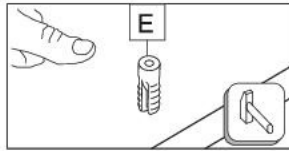
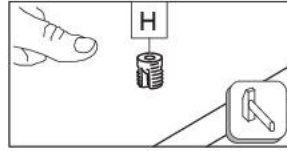
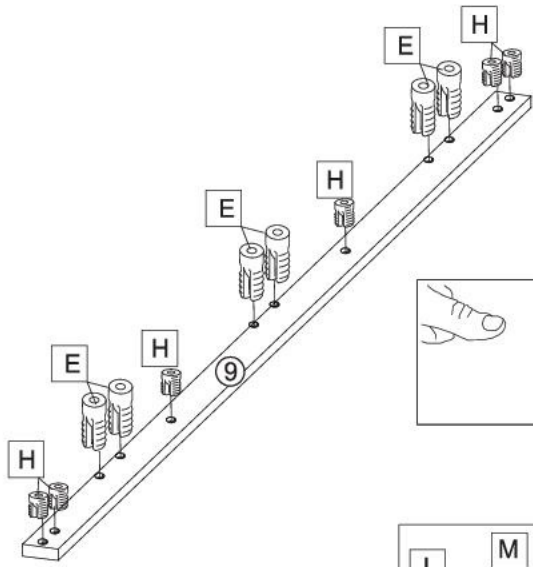
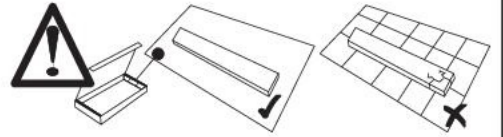
①	642010.001	1	2
②	642010.002	1	2
③	642010.003	1	2
④	642010.005	1	2
⑤	642010.007	1	3
⑥	642010.008	5	2
⑦	642010.010	1	5
⑧	642010.012	2	5
⑨	642010.013 P	1	4
⑩	642010.014 P	1	4
⑪	642010.015	1	4
⑫	642070.000	1	1
⑬	642080.000	1	7
⑭	642610.000	4	1





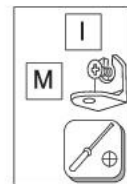
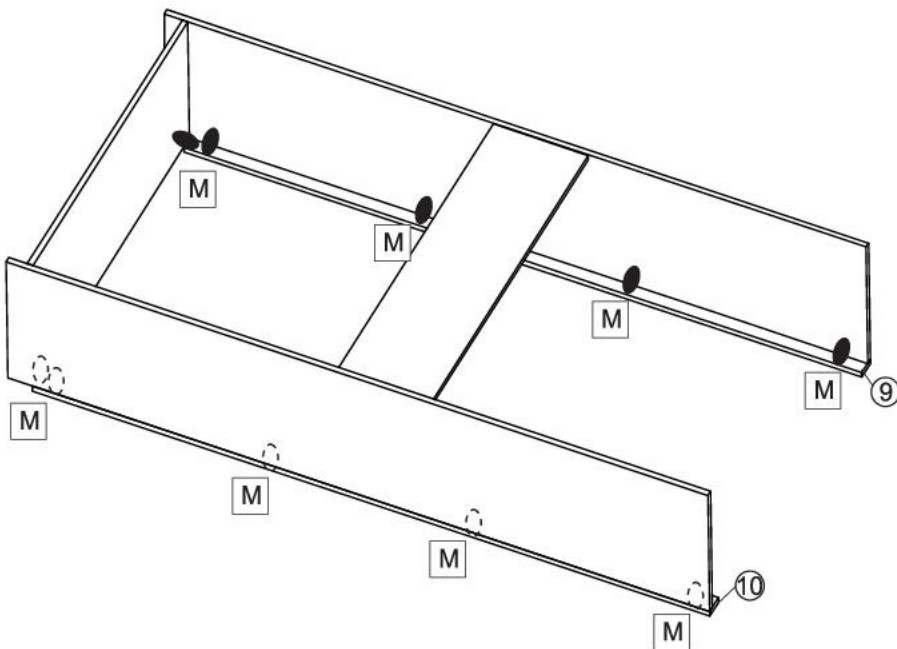
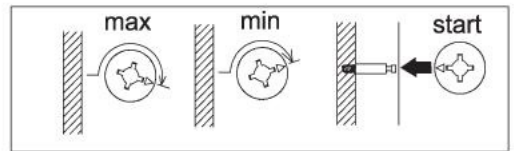
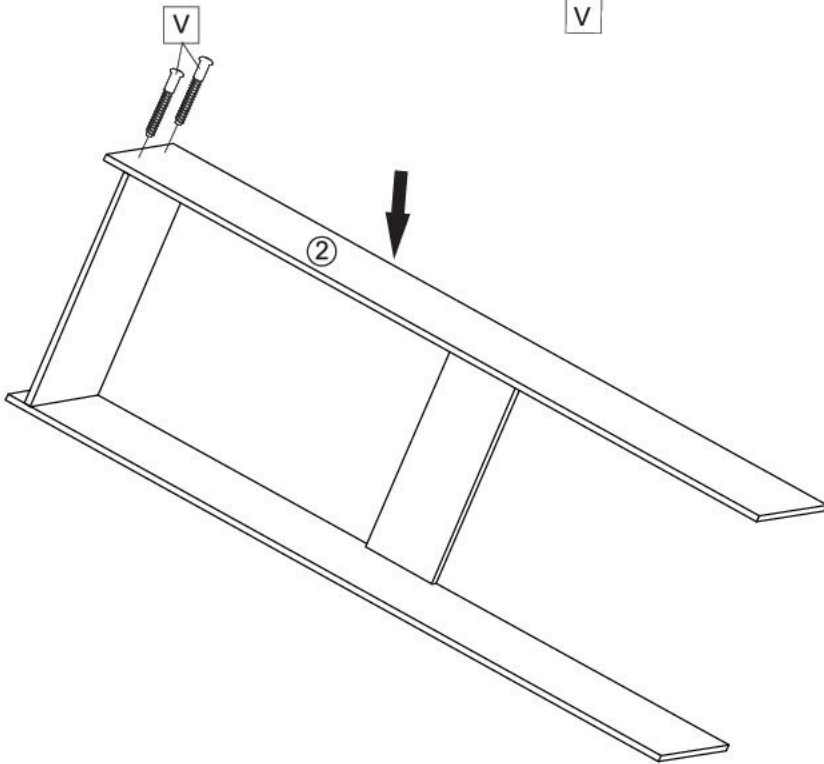
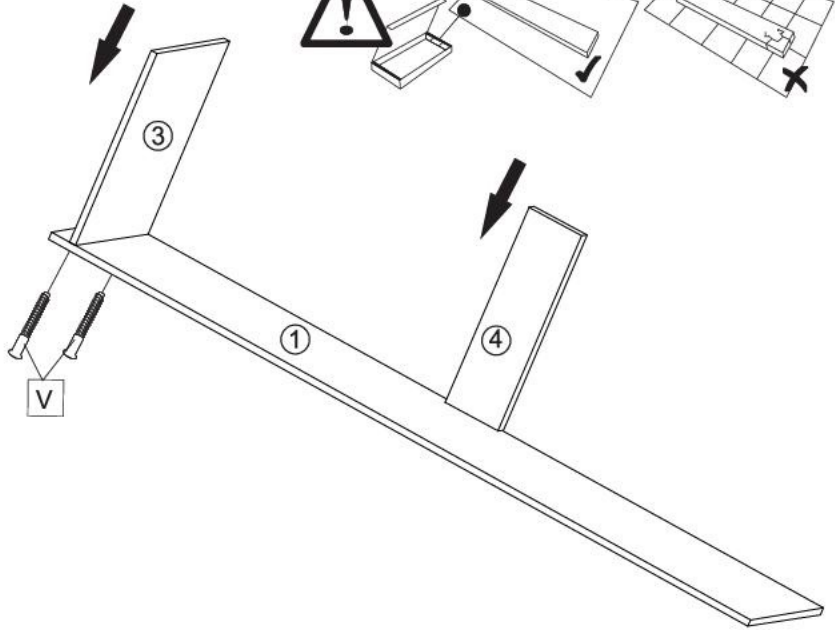
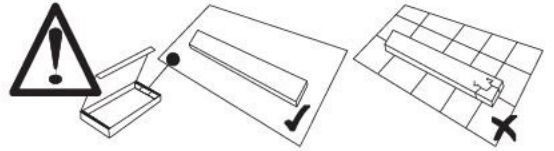
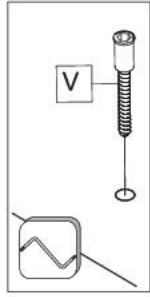
				
A x4	B x4	C x6	H x12	J x18



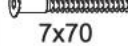



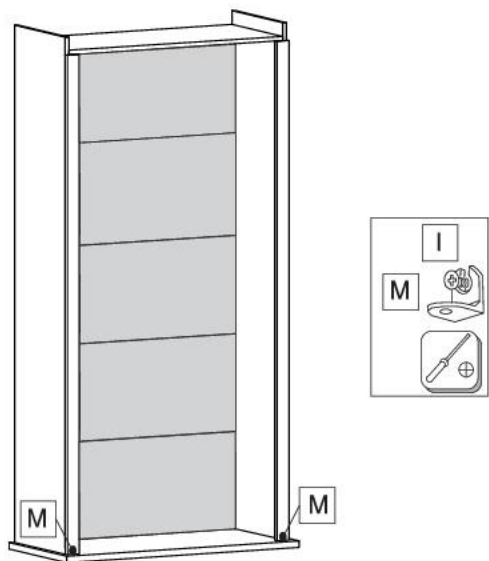
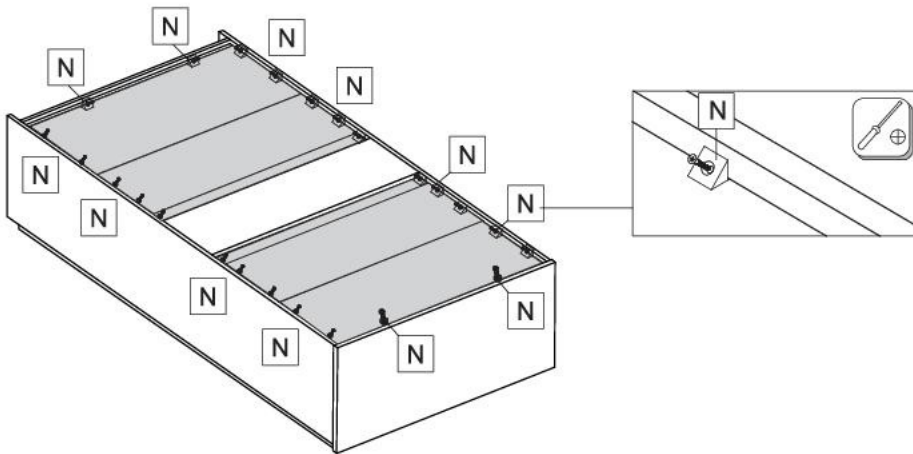
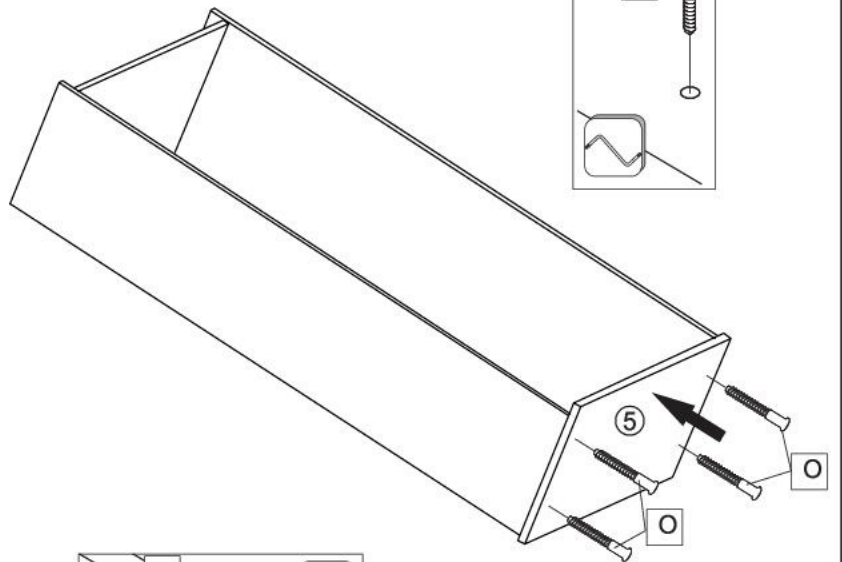
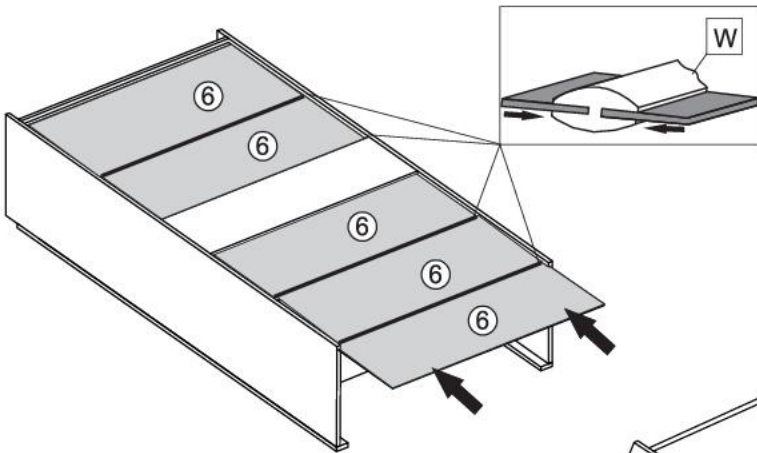
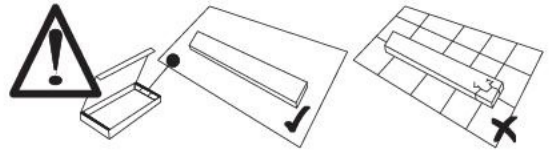
E	I	H	M	3,5x16	F	R
x12	x12	x12	x12	x12	x12	x6




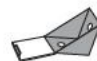




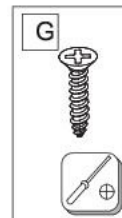
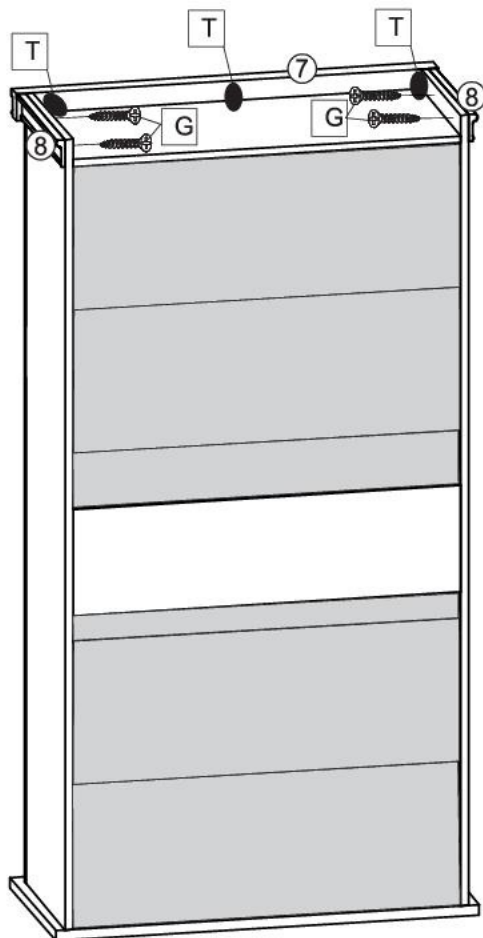
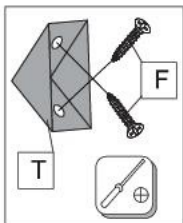
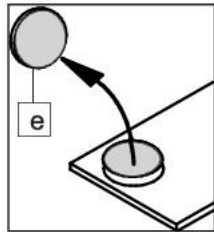
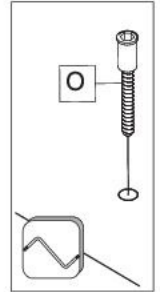
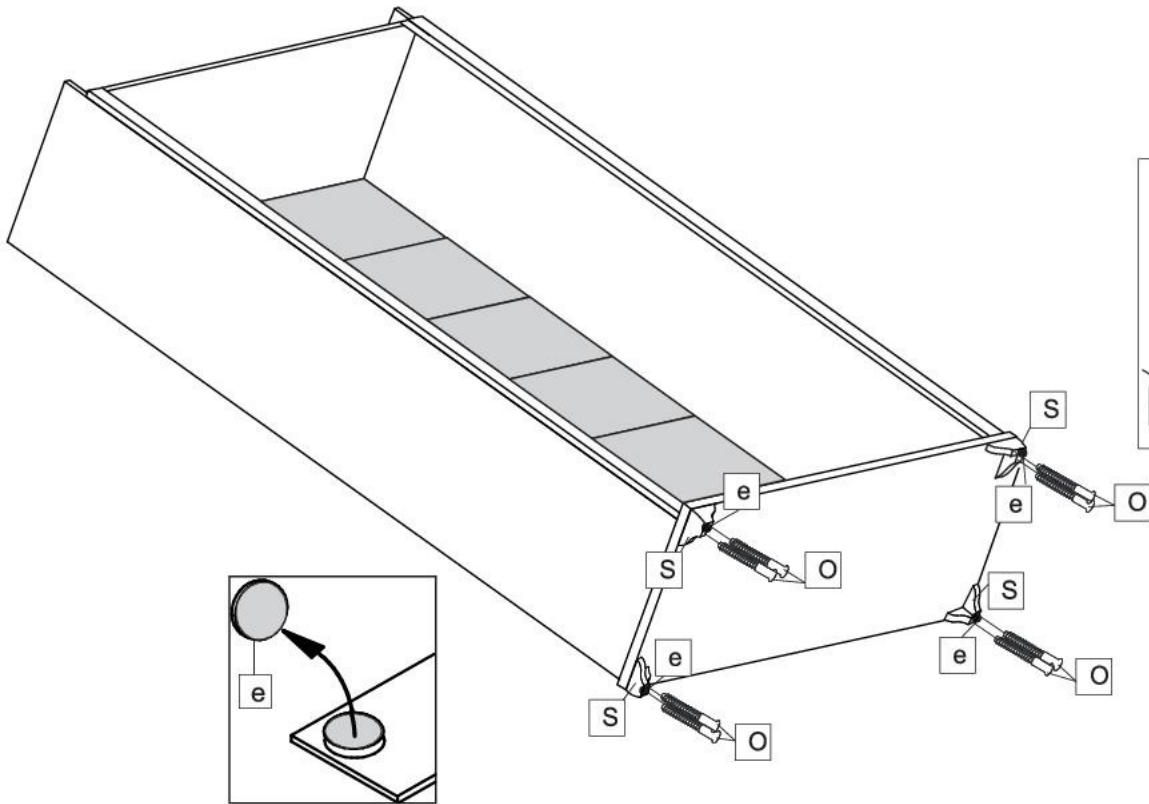
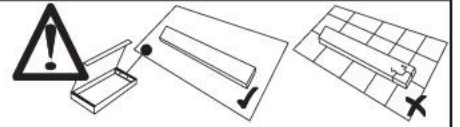
	
	7x50
I x10	V x4



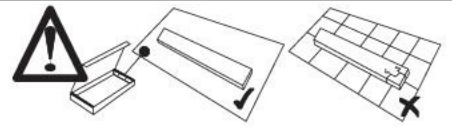
			
		7x70	L=900
I x2	N x24	O x4	W x4



					
F x6	G x4	O x8	T x3	S x4	e x4

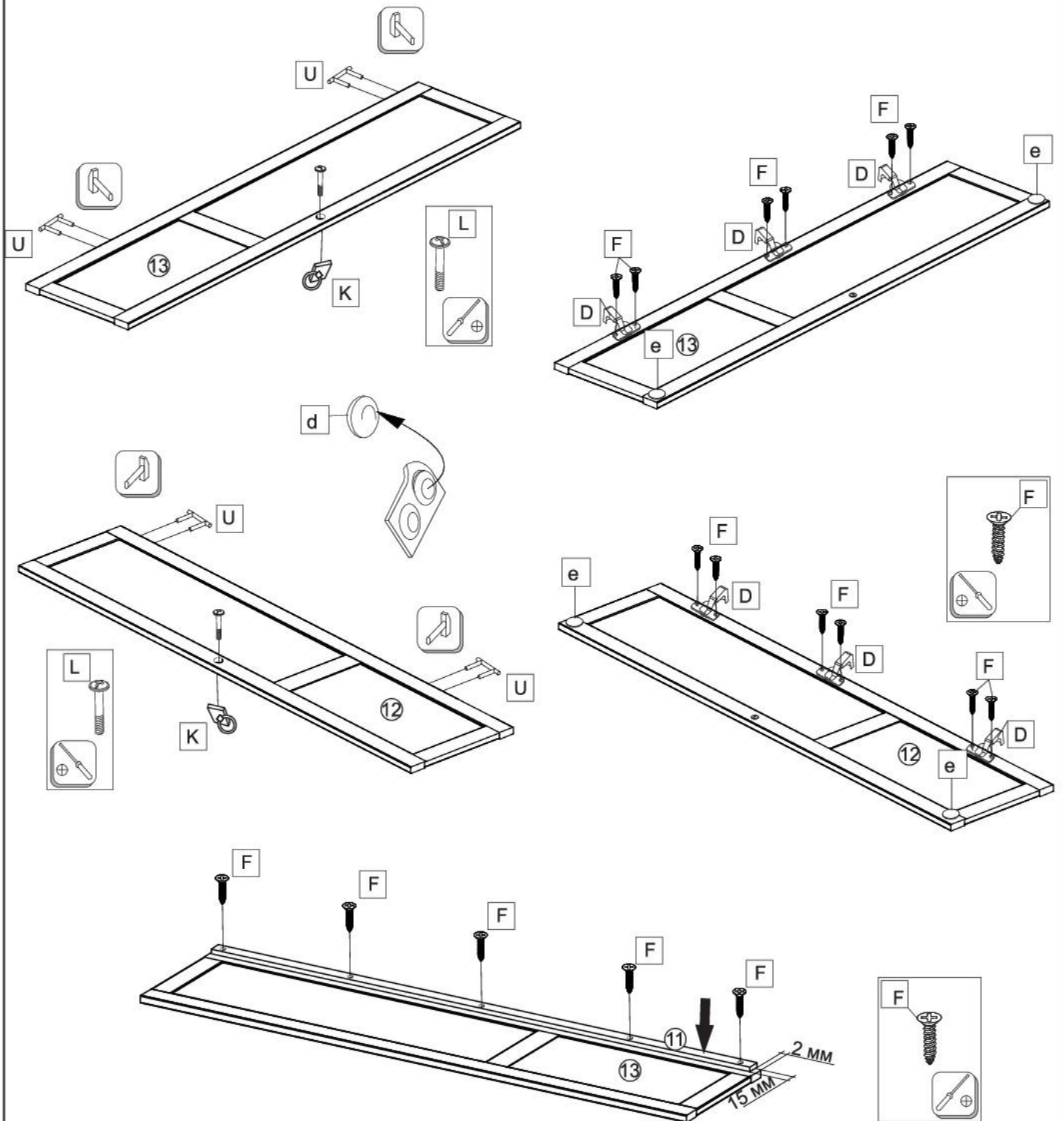


D	x6	F	x17	K	x2
			L	x2	
				U	x4
					d
					x4

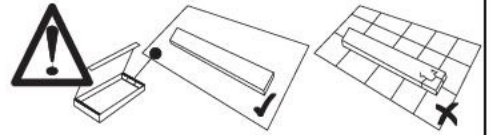


Исполнение 1/Execution 1

L	x2
	K
	x2

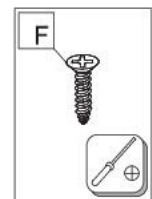
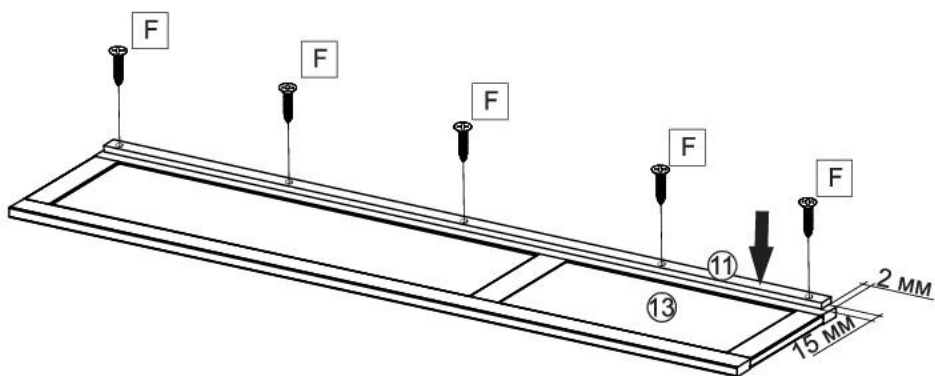
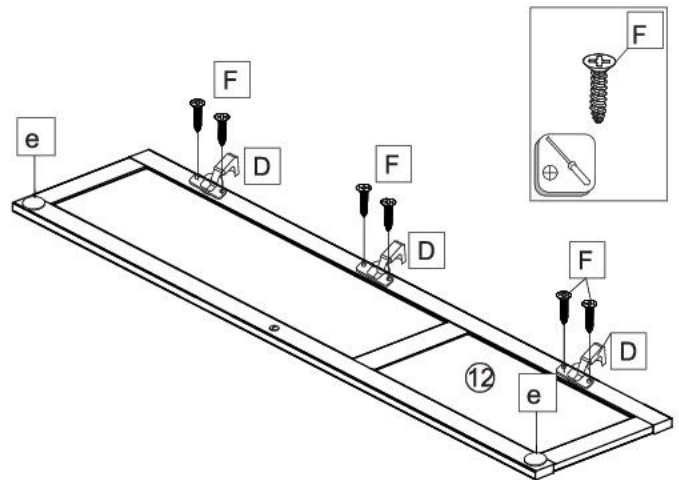
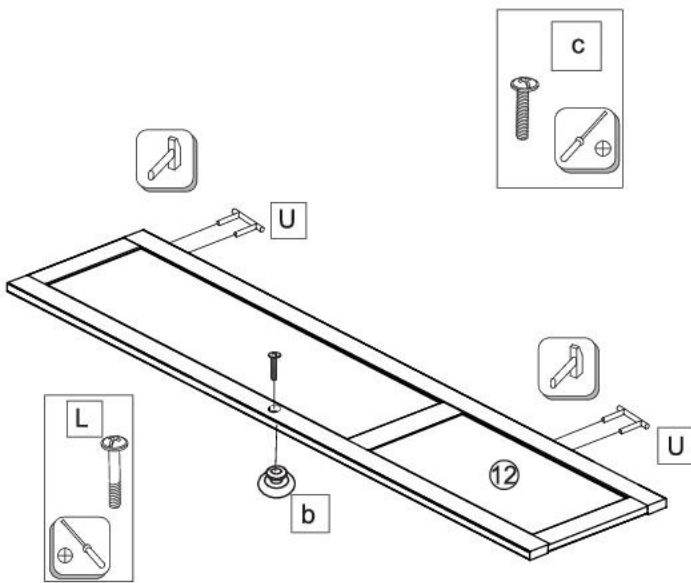
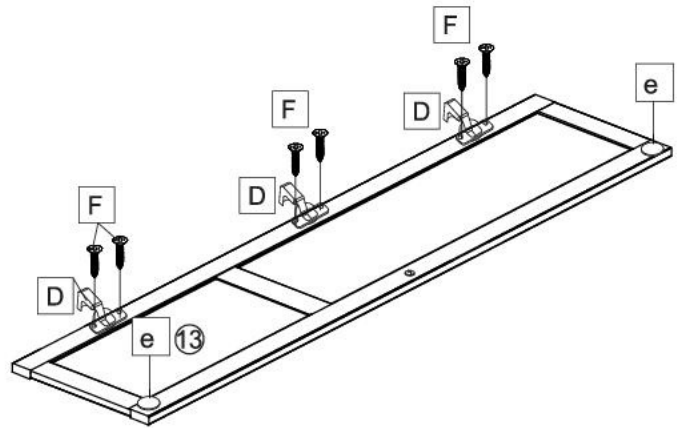
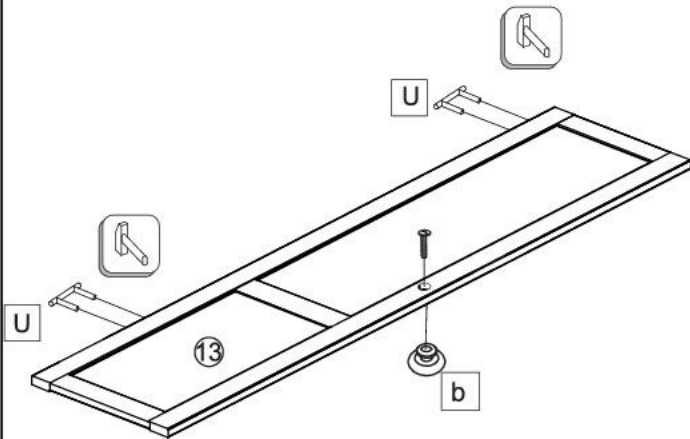


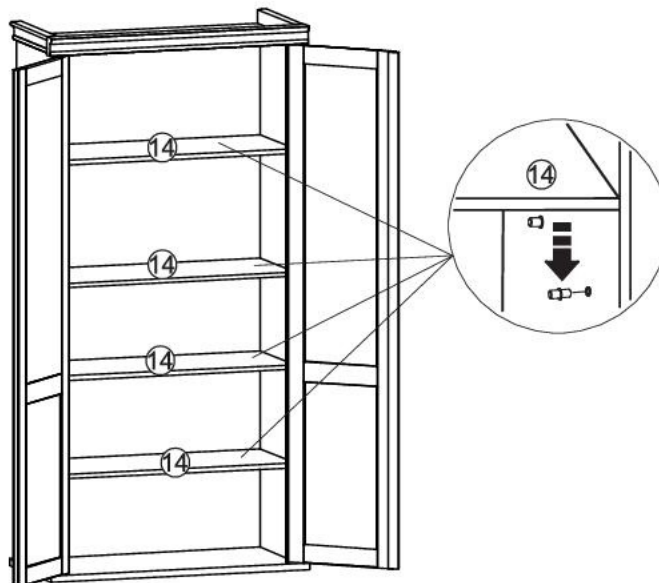
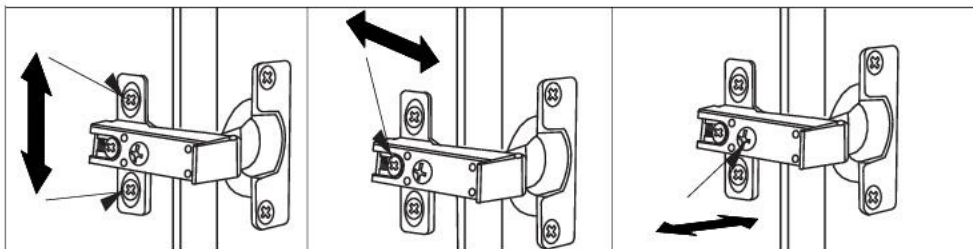
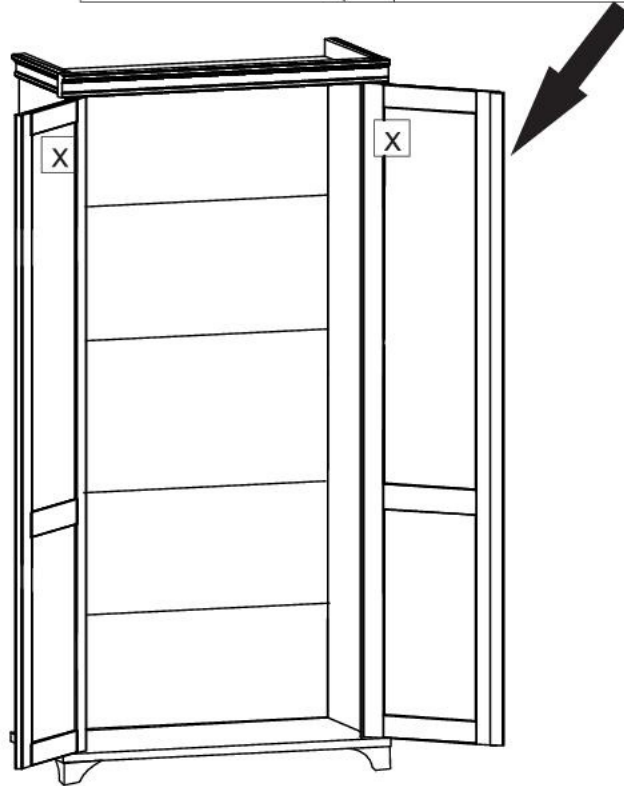
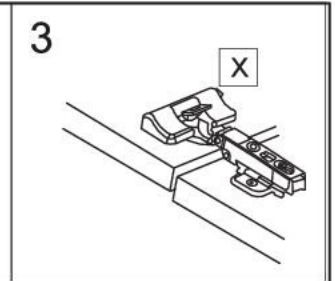
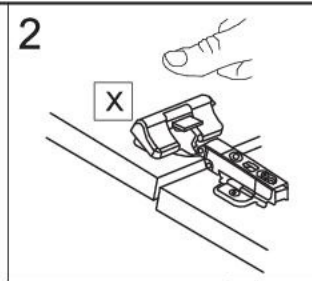
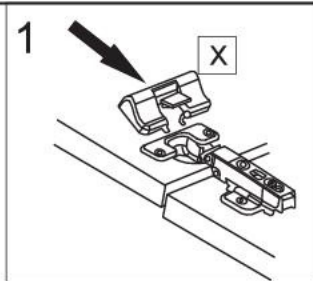
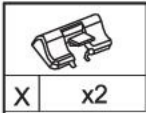
D	x6	F	x17	K	x2
		L	x2	U	x4
		d	x4		


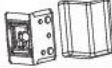


Исполнение 2,3/ Execution 2,3

b	x2
c	x2





			
3,5x16			
F	x2	Y	x1

