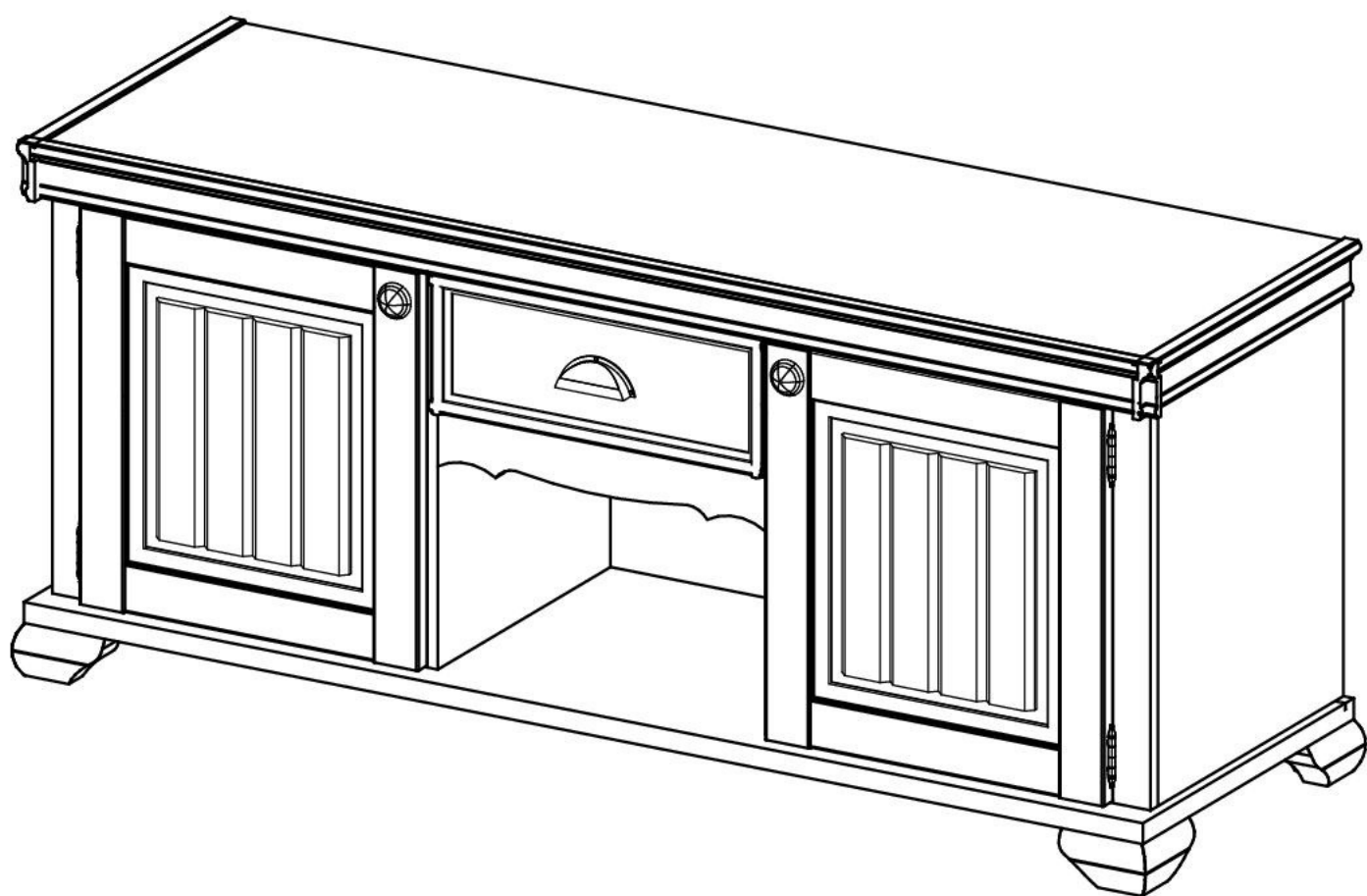
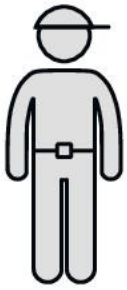


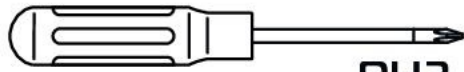
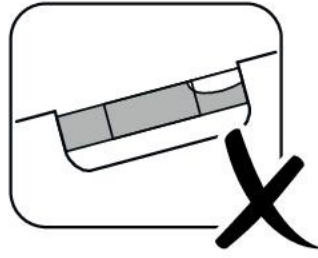
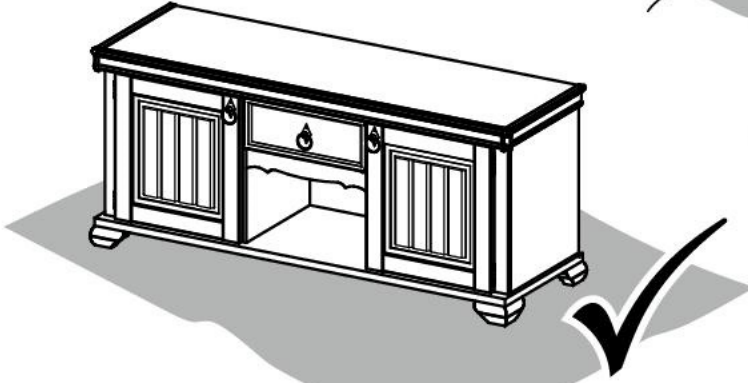
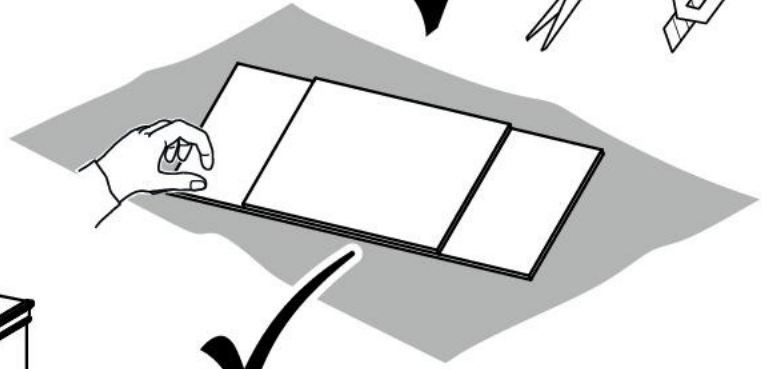
Annie

TV stolek I

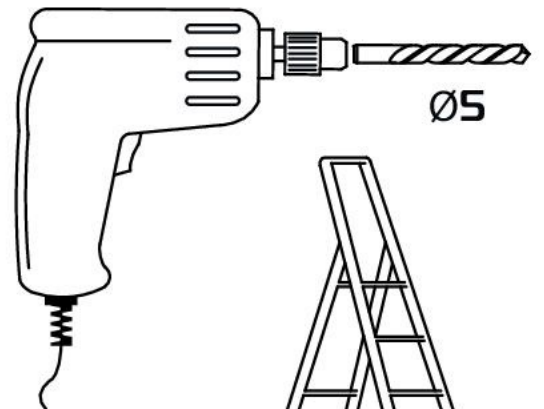
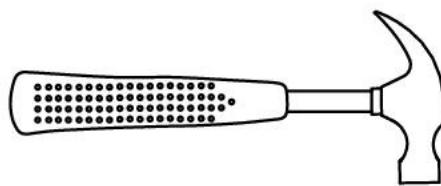
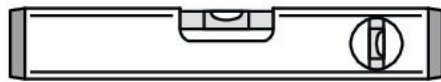
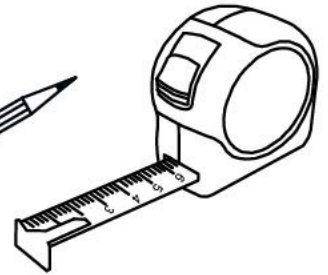
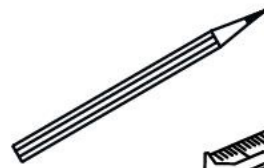




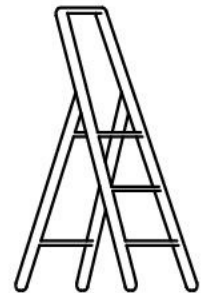
120 min

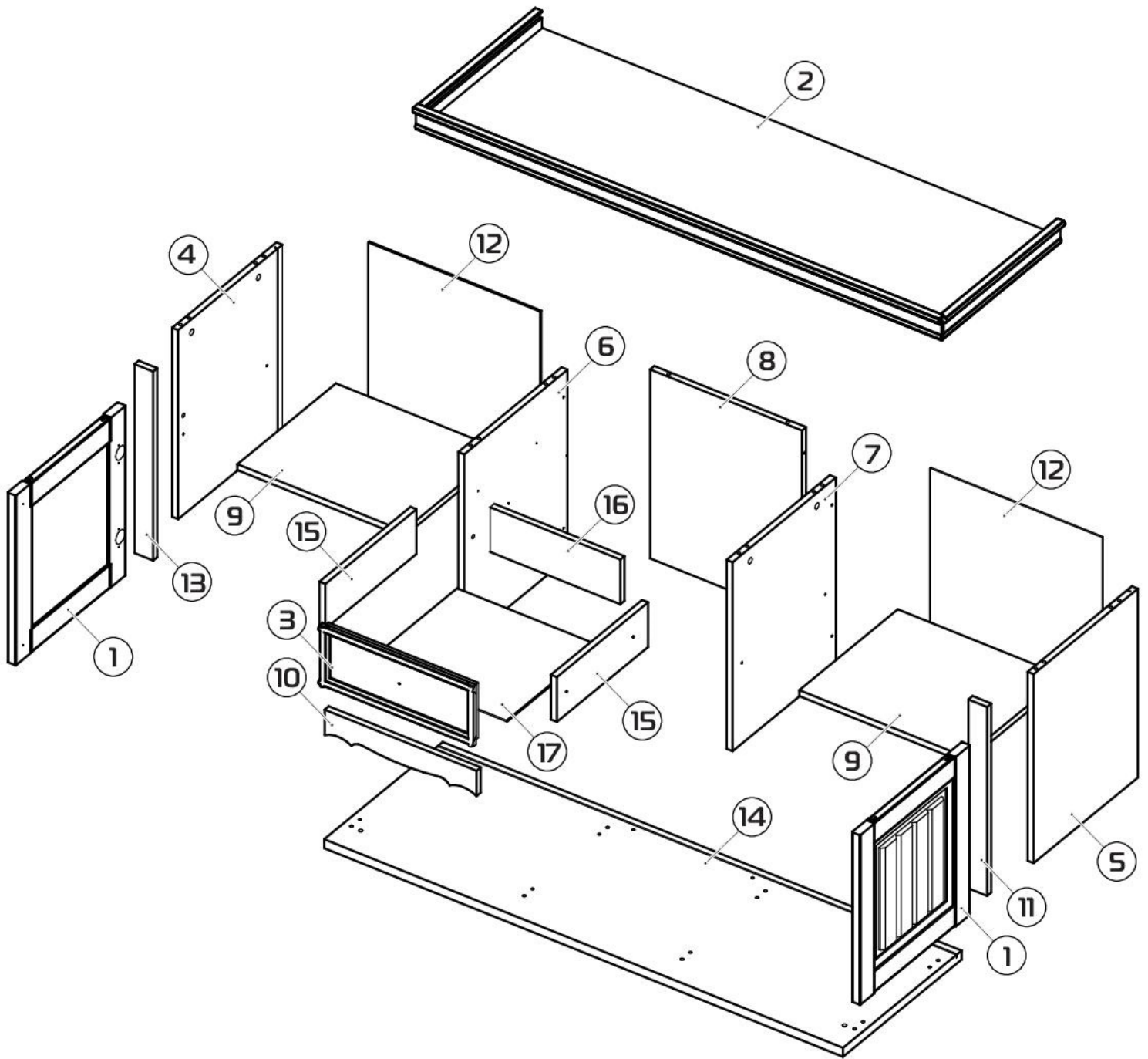


PH2



Ø5

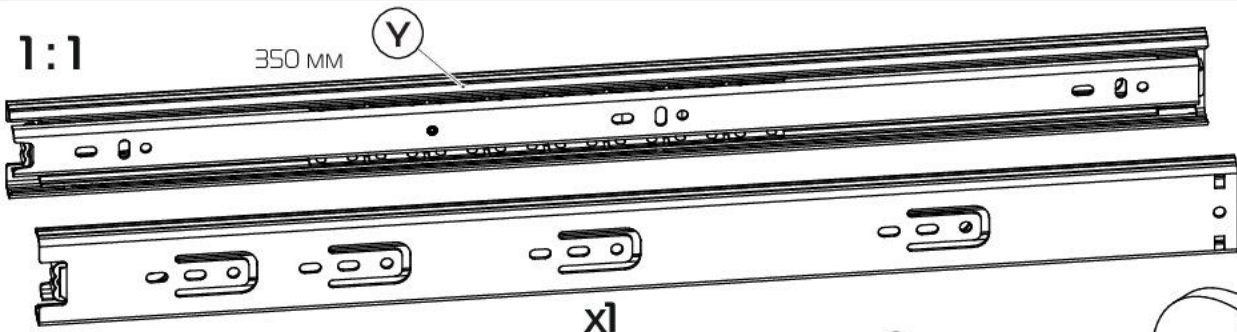




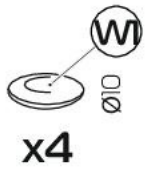
①	642111.000	454x422x22	(x2)	⑩	642300.002	792x68x16	(x1)
②	642301.000	1800x460x65	(x1)	⑪	642110.008P	507x50x16	(x1)
③	642303.000	786x160x31	(x1)	⑫	642110.011	521x470x4	(x2)
④	642110.001	507x400x16	(x1)	⑬	642110.009P	507x50x16	(x1)
⑤	642110.002	507x400x16	(x1)	⑭	642300.003	1778x455x24	(x1)
⑥	642110.003	507x396x16	(x1)	⑮	642091.001	350x120x16	(x2)
⑦	642110.004	507x396x16	(x1)	⑯	642302.001	734x120x16	(x1)
⑧	642300.001	507x792x16	(x1)	⑰	642302.002	356x764x4	(x1)
⑨	642110.006	446x378x16	(x2)				

1:1

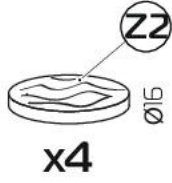
350 mm



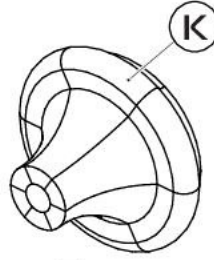
X1



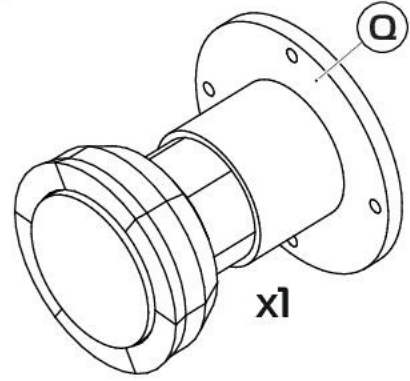
x4



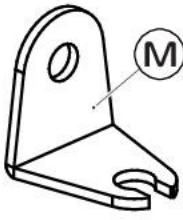
x4



x2



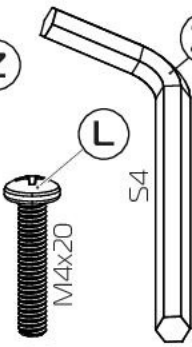
x1



x8



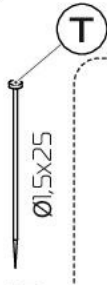
x4



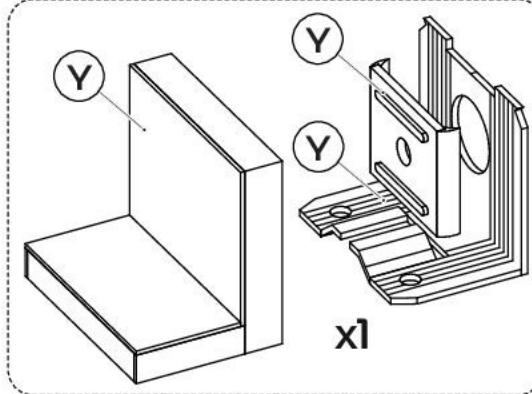
x2



x1



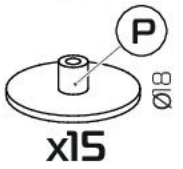
x12



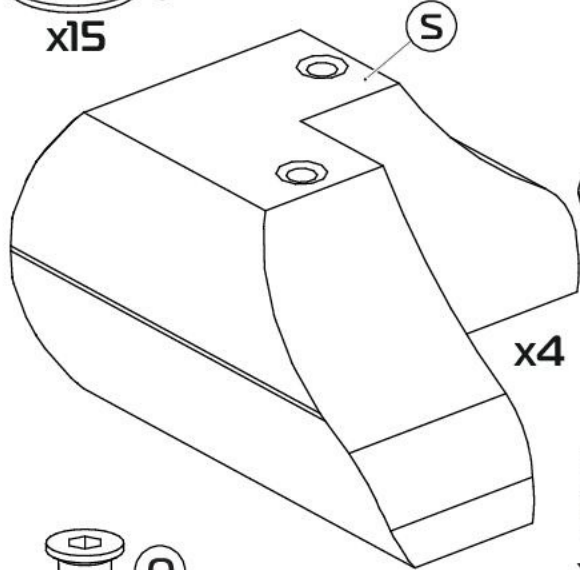
x1



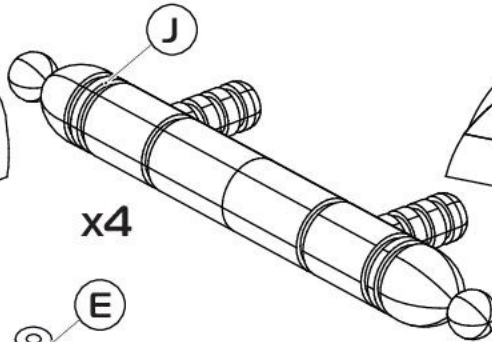
x2



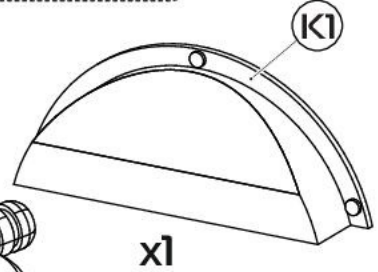
x15



x4



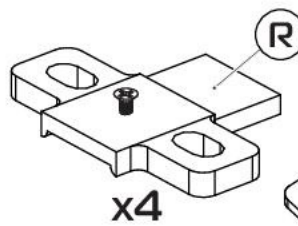
x4



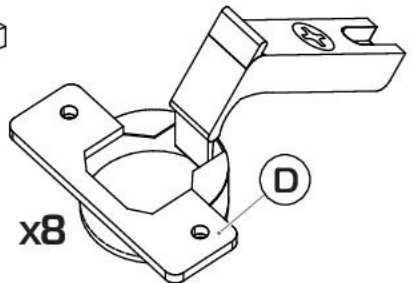
x1



x8



x4



x8



x19



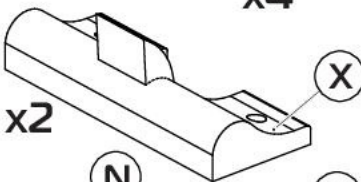
x16



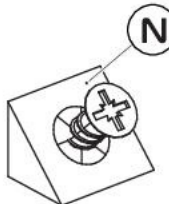
x4



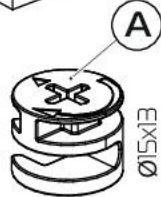
x15



x2



x6



x15



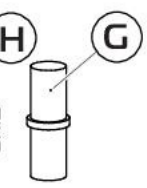
x20



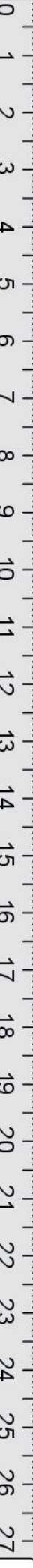
x16



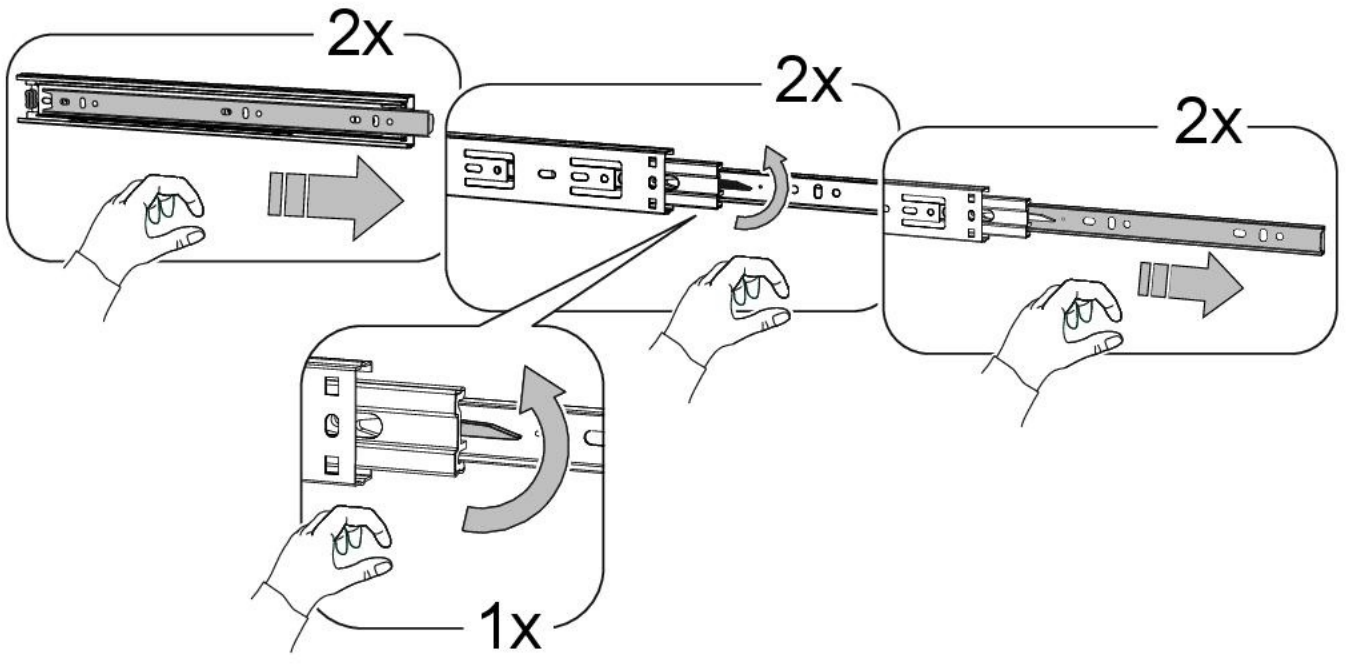
x16



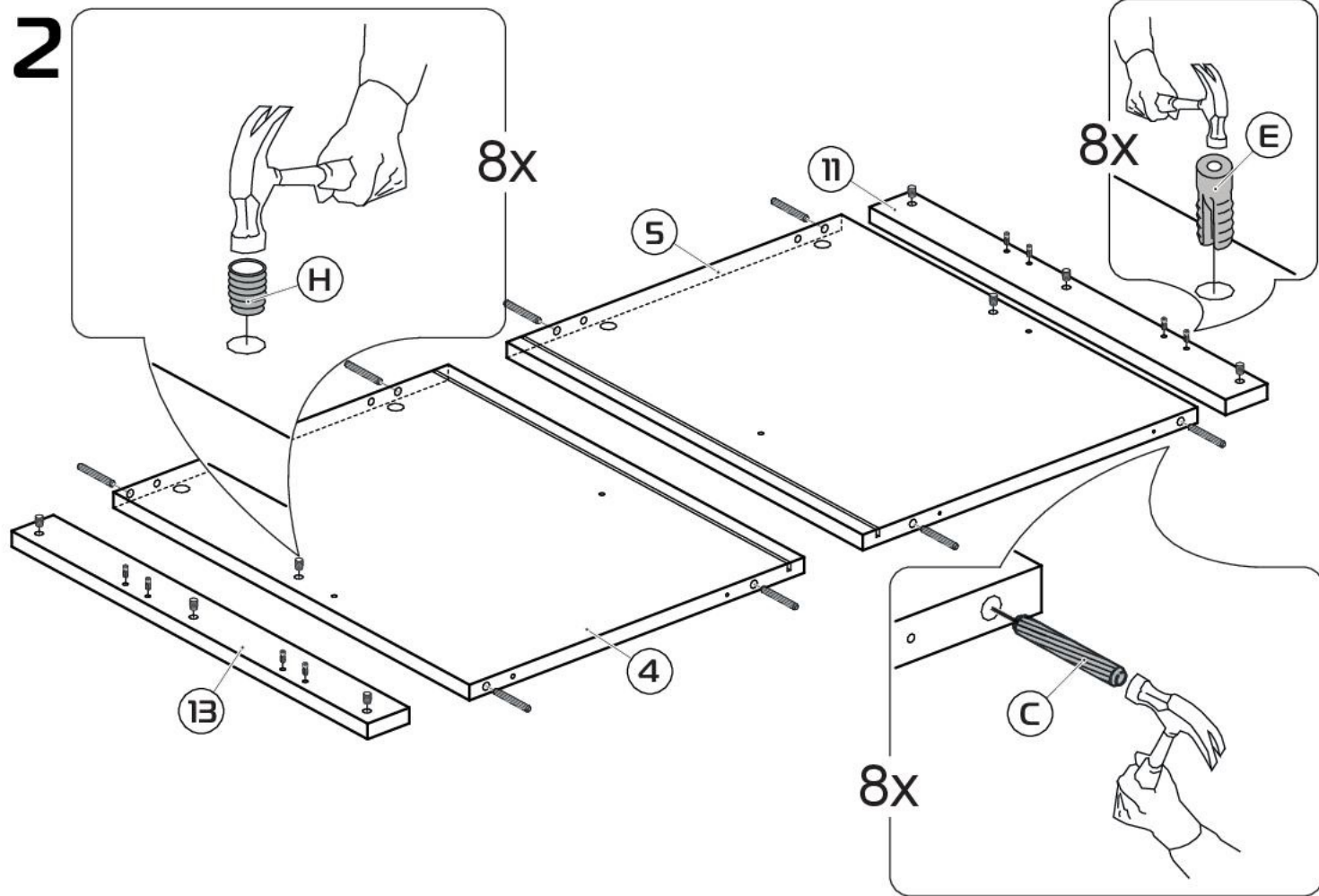
x8



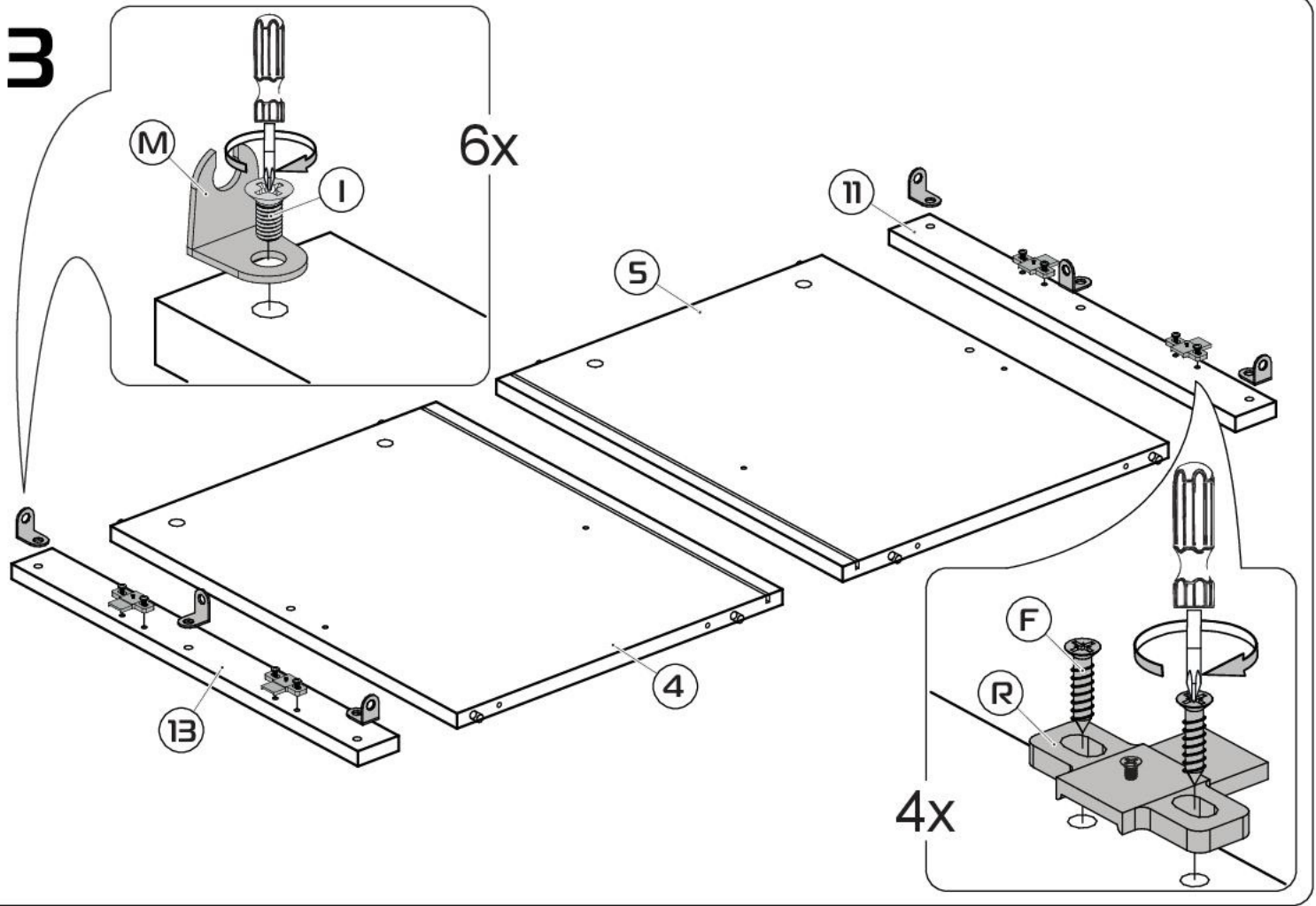
1



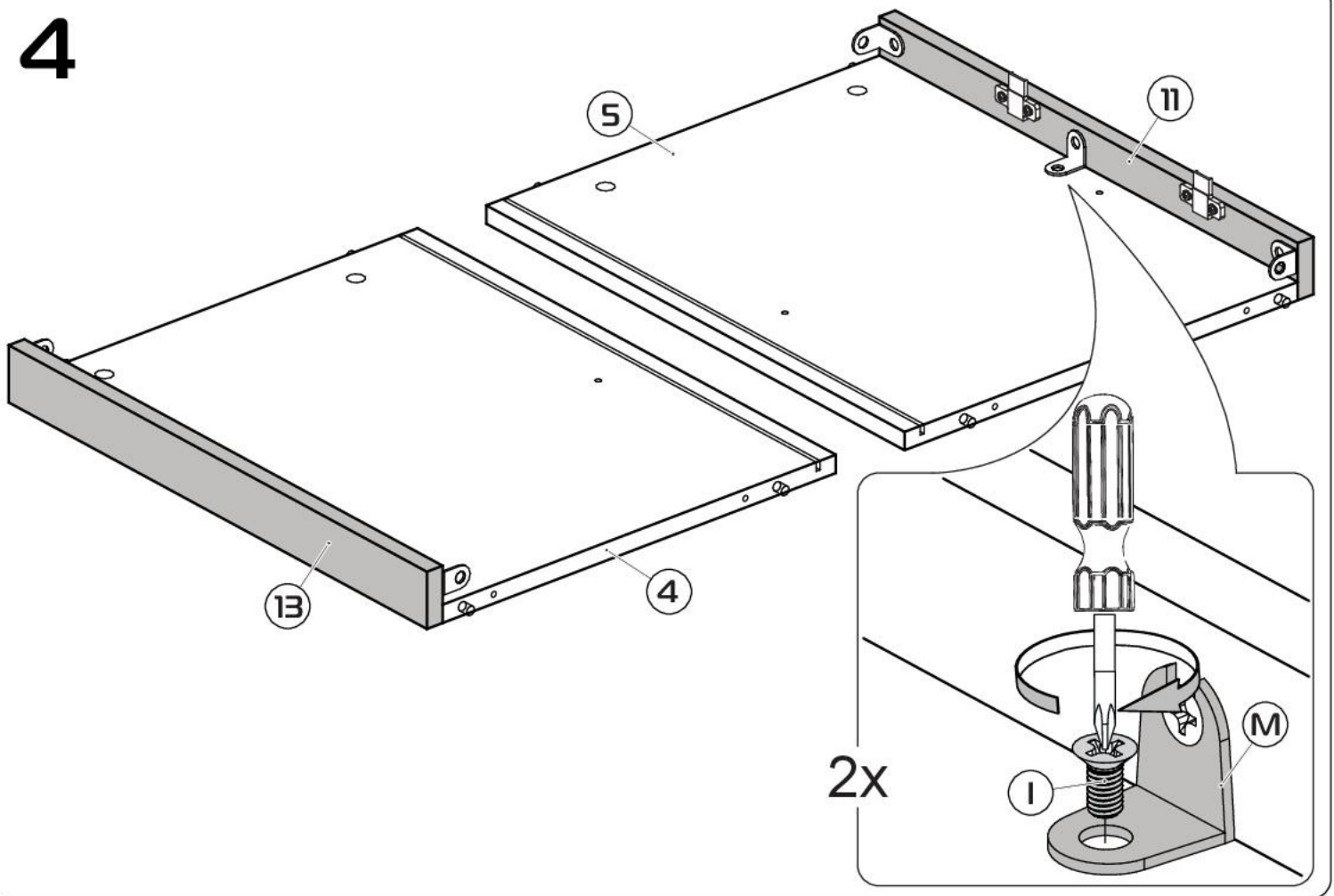
2



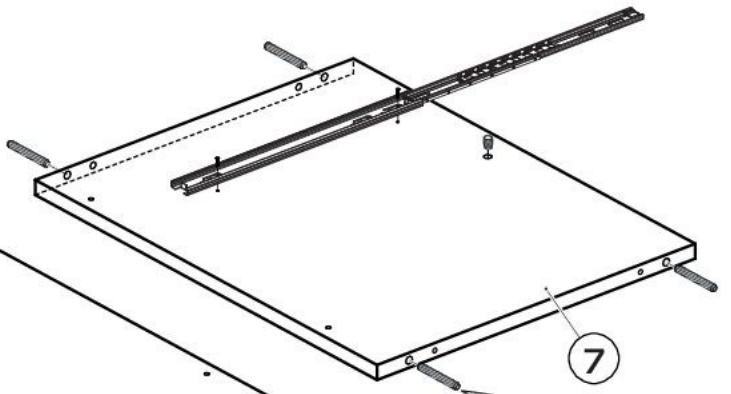
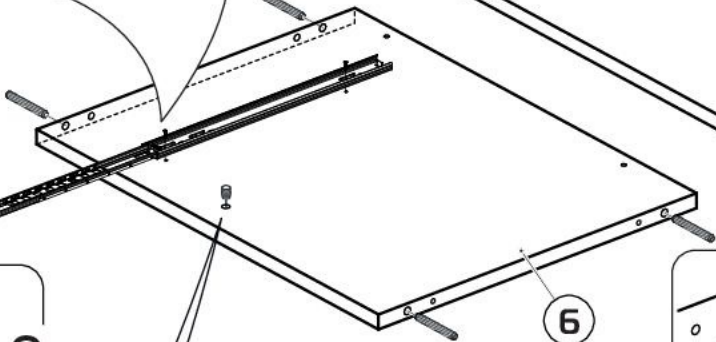
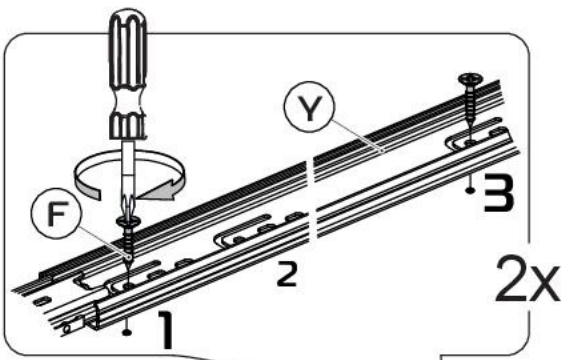
3



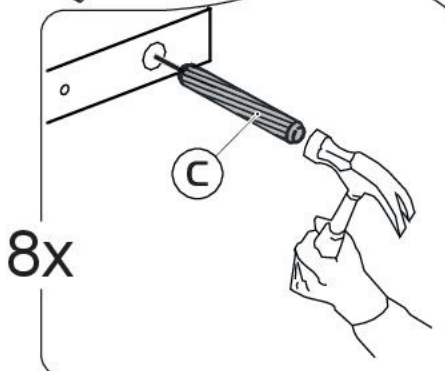
4



5

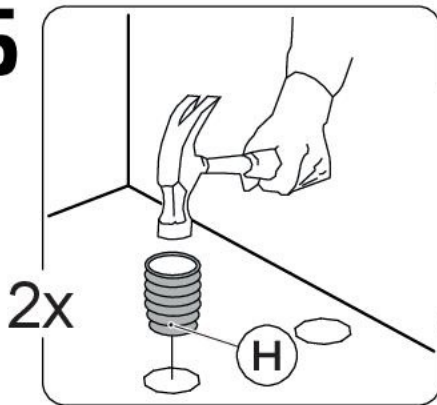


2x

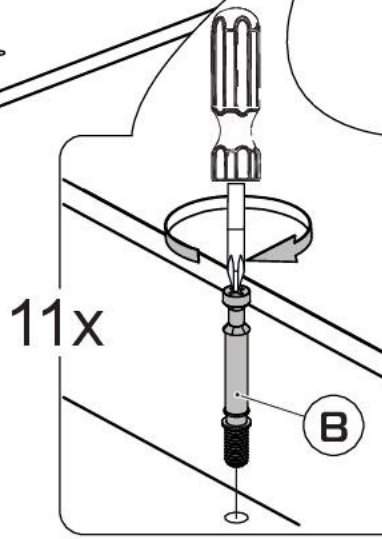
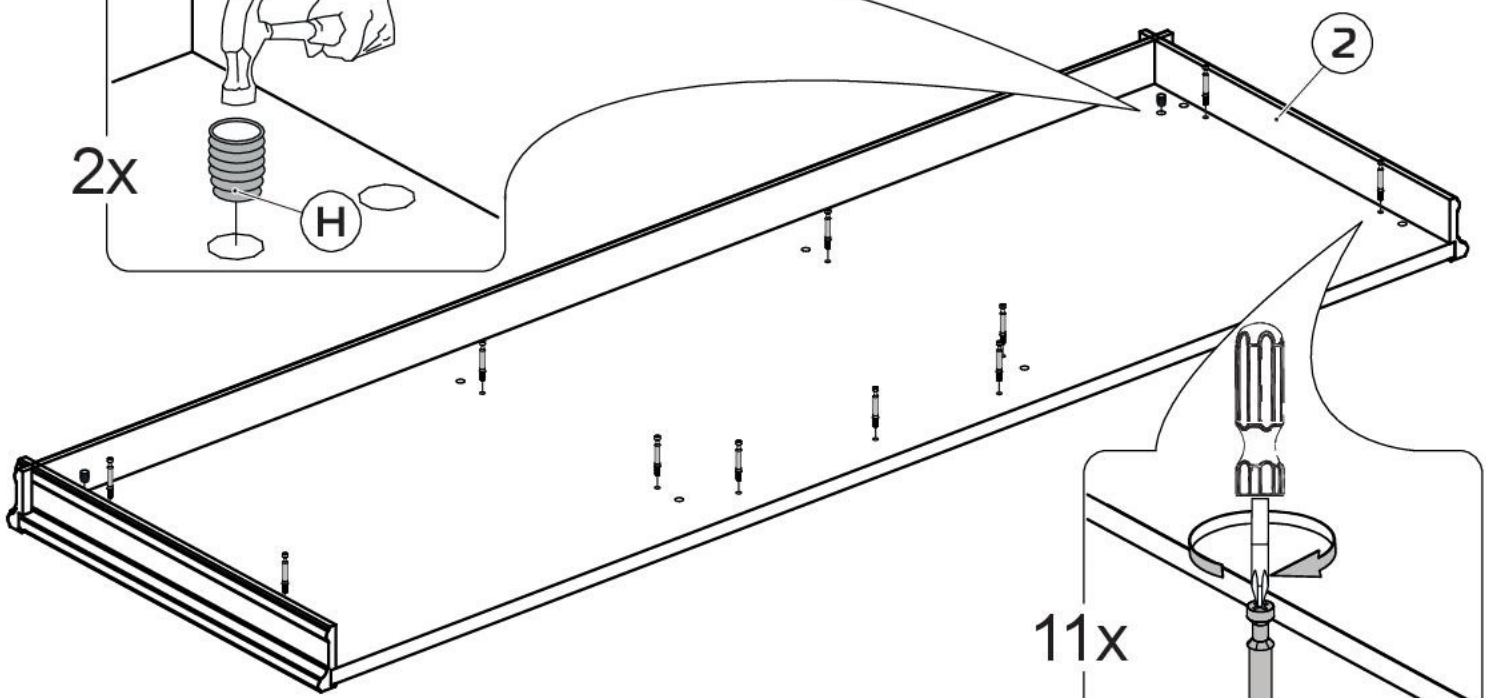


8x

6

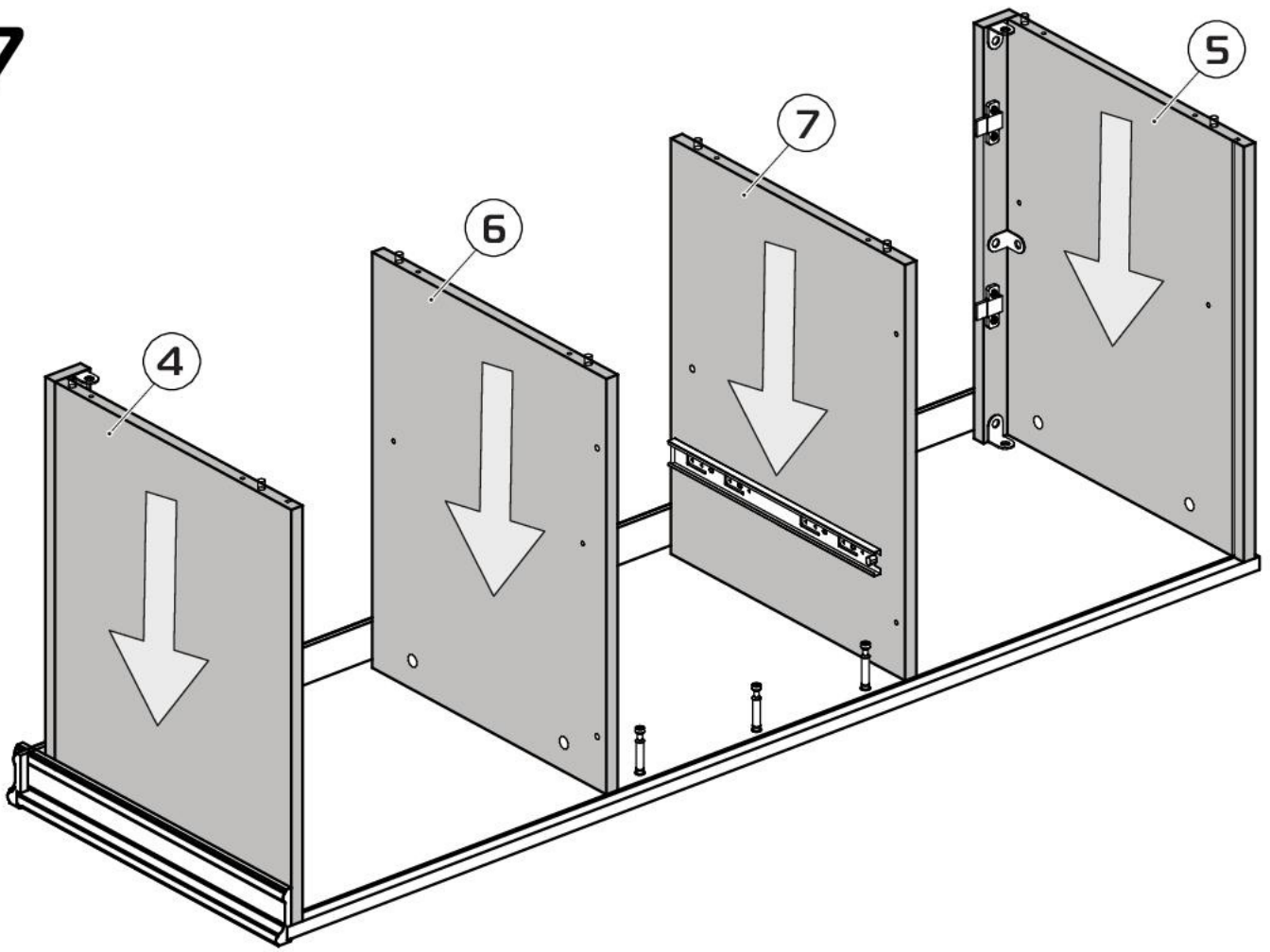


2x

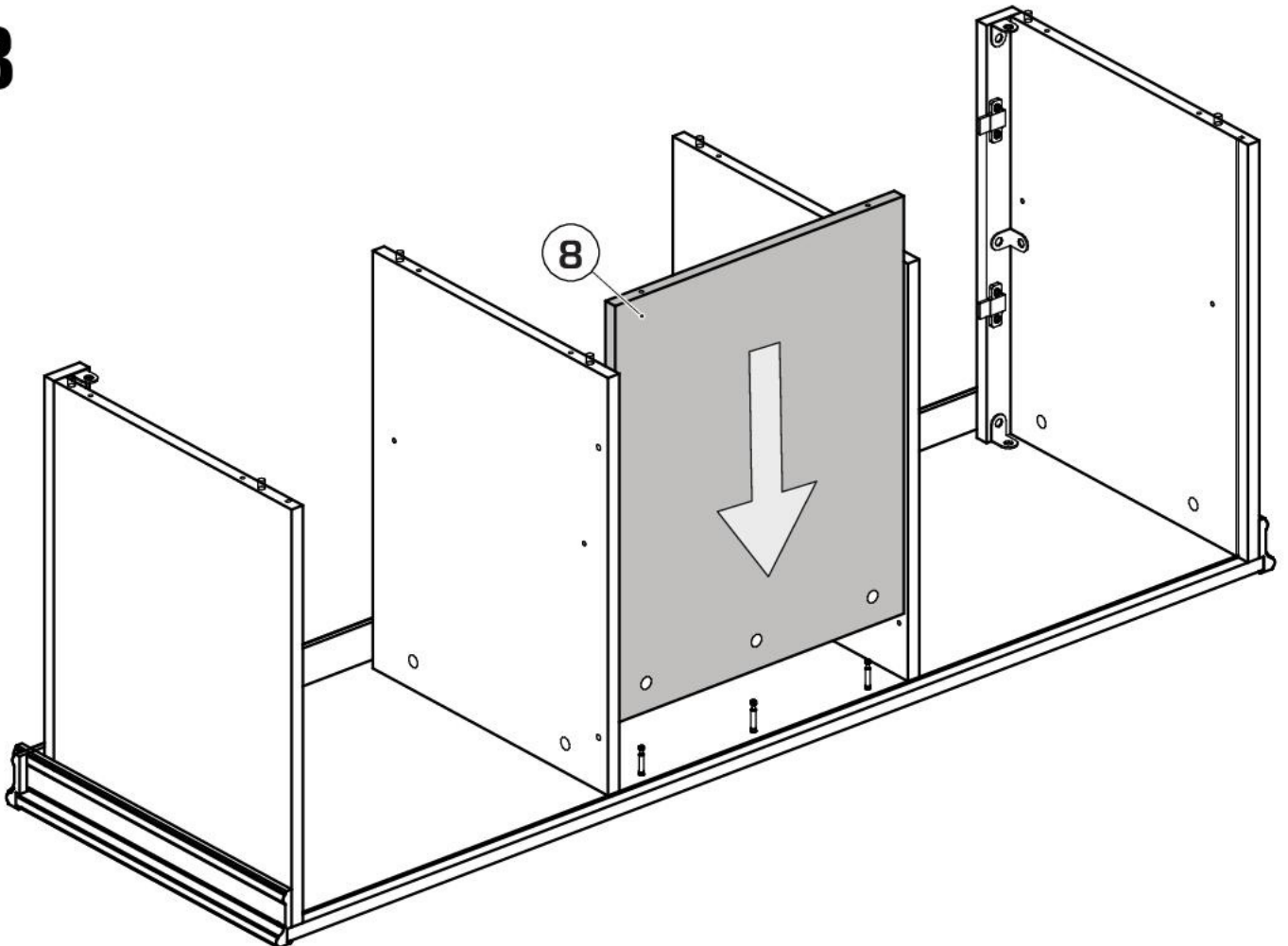


11x

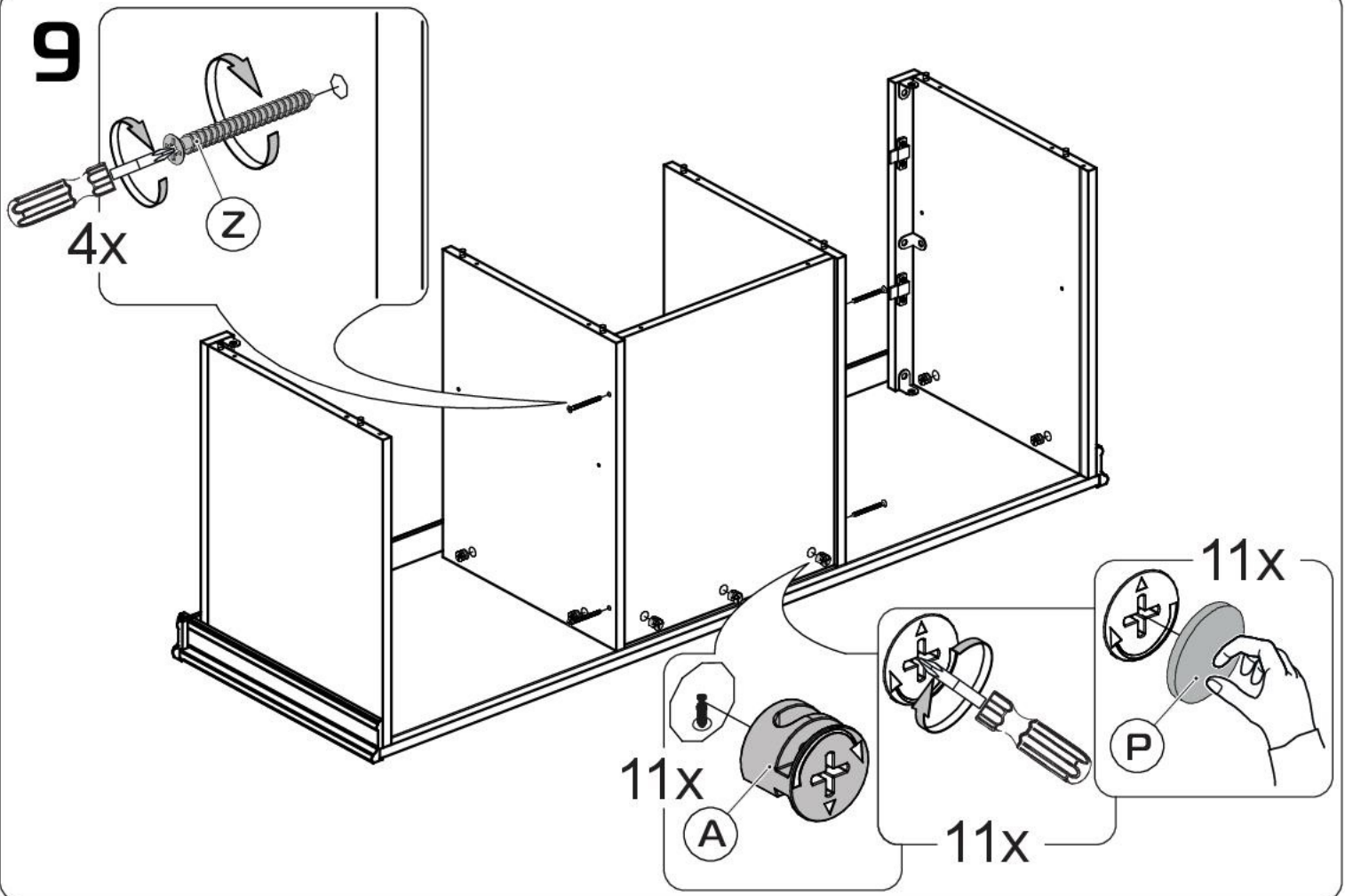
7



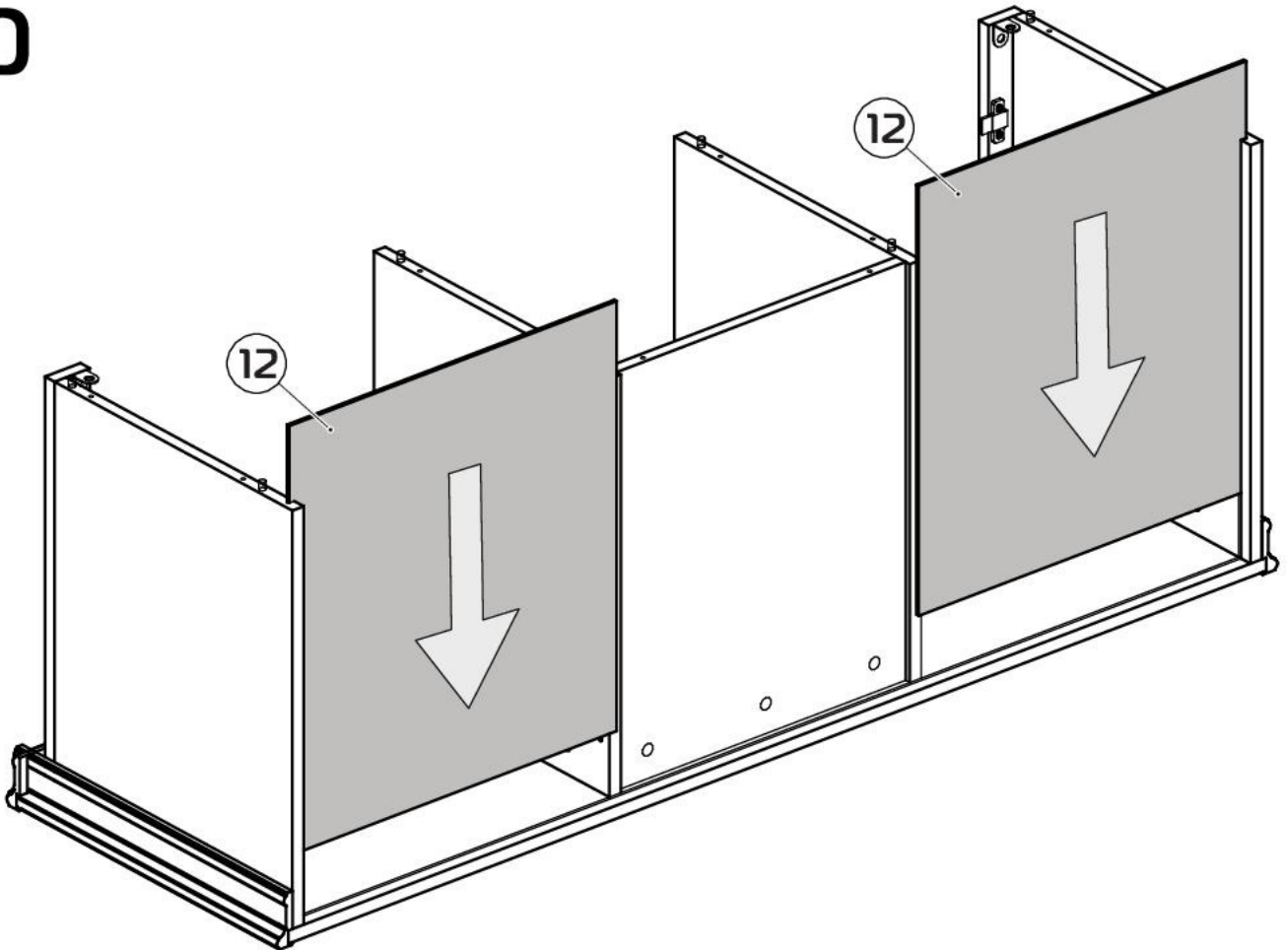
8



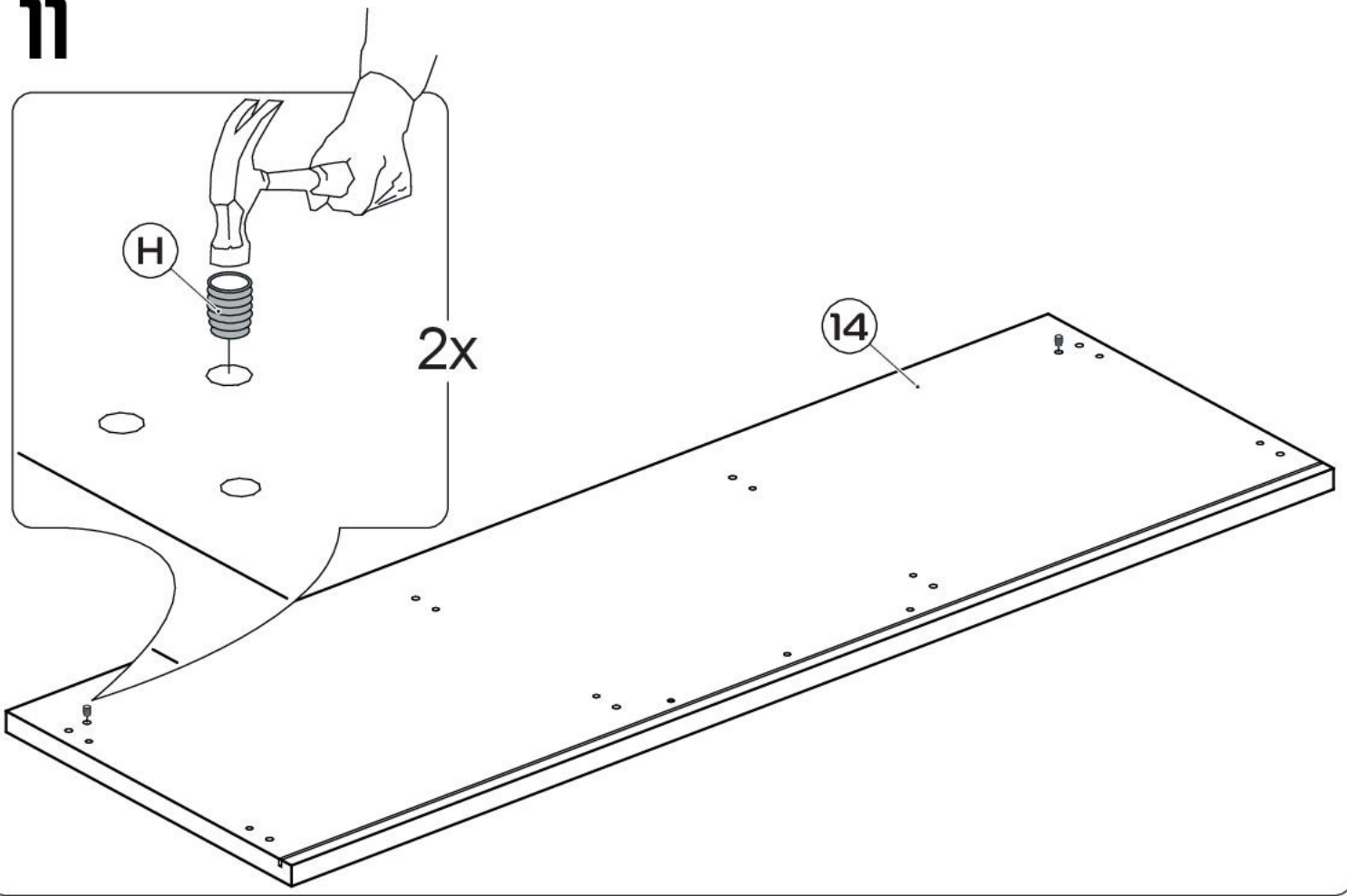
9



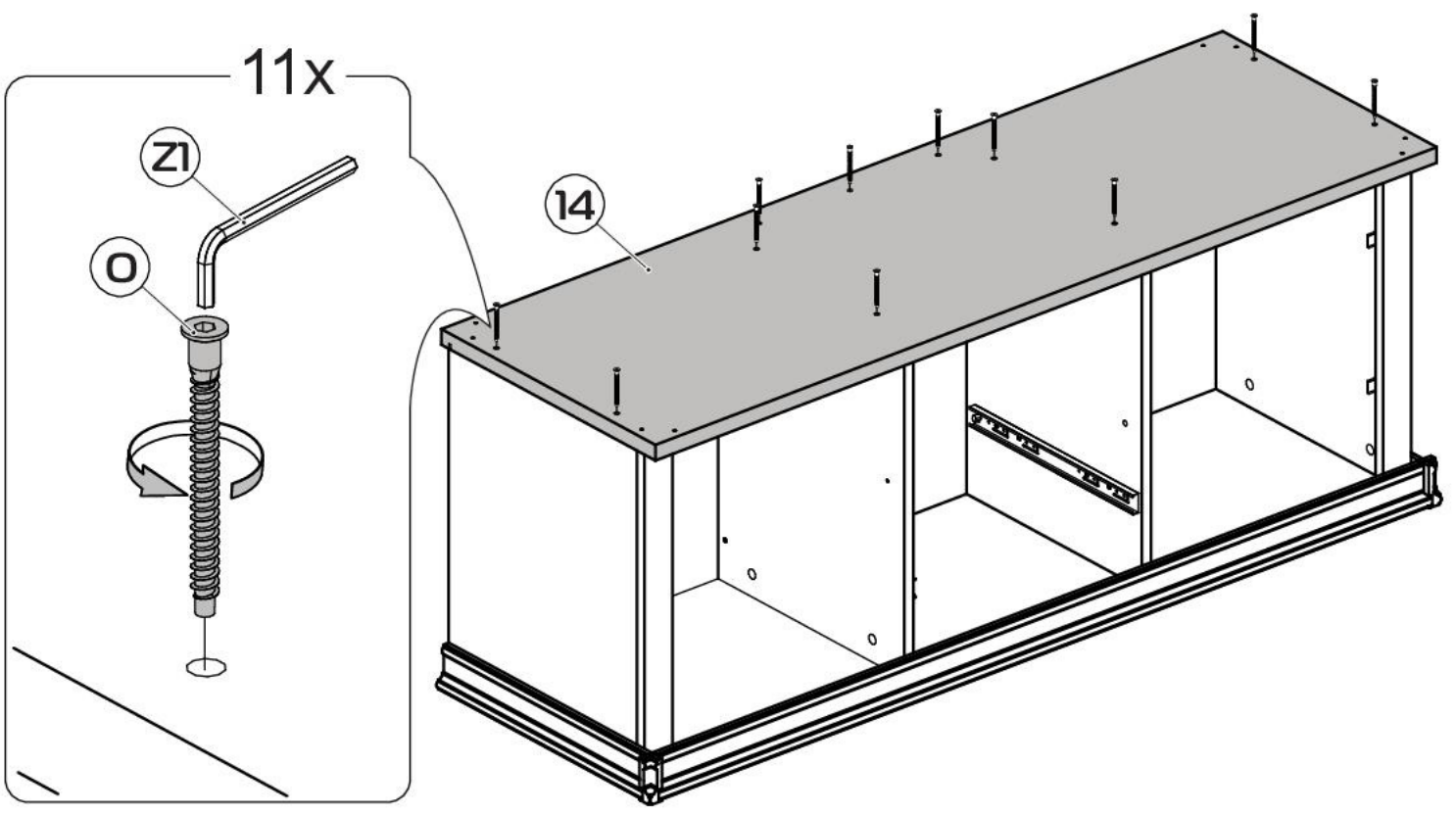
10



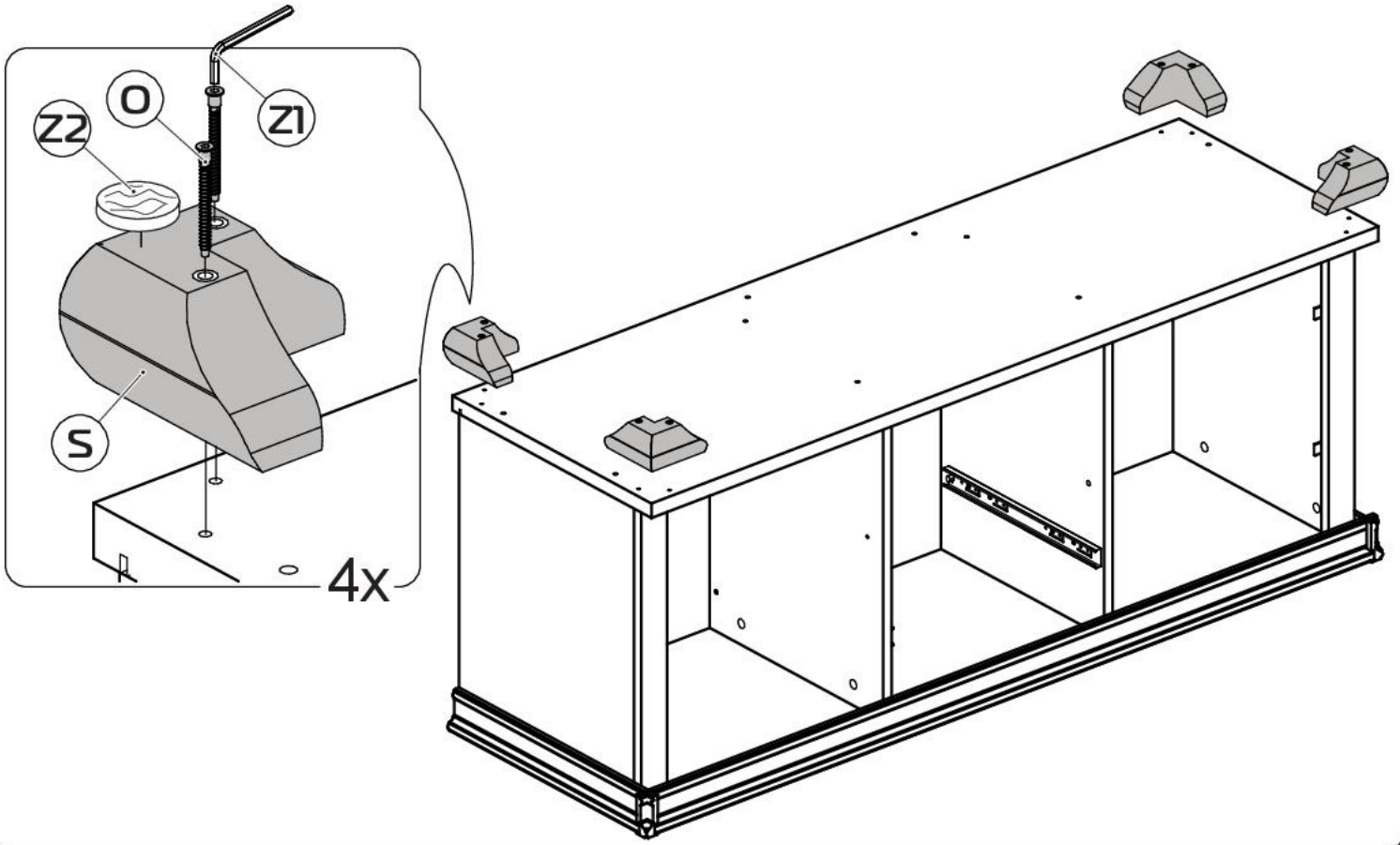
11



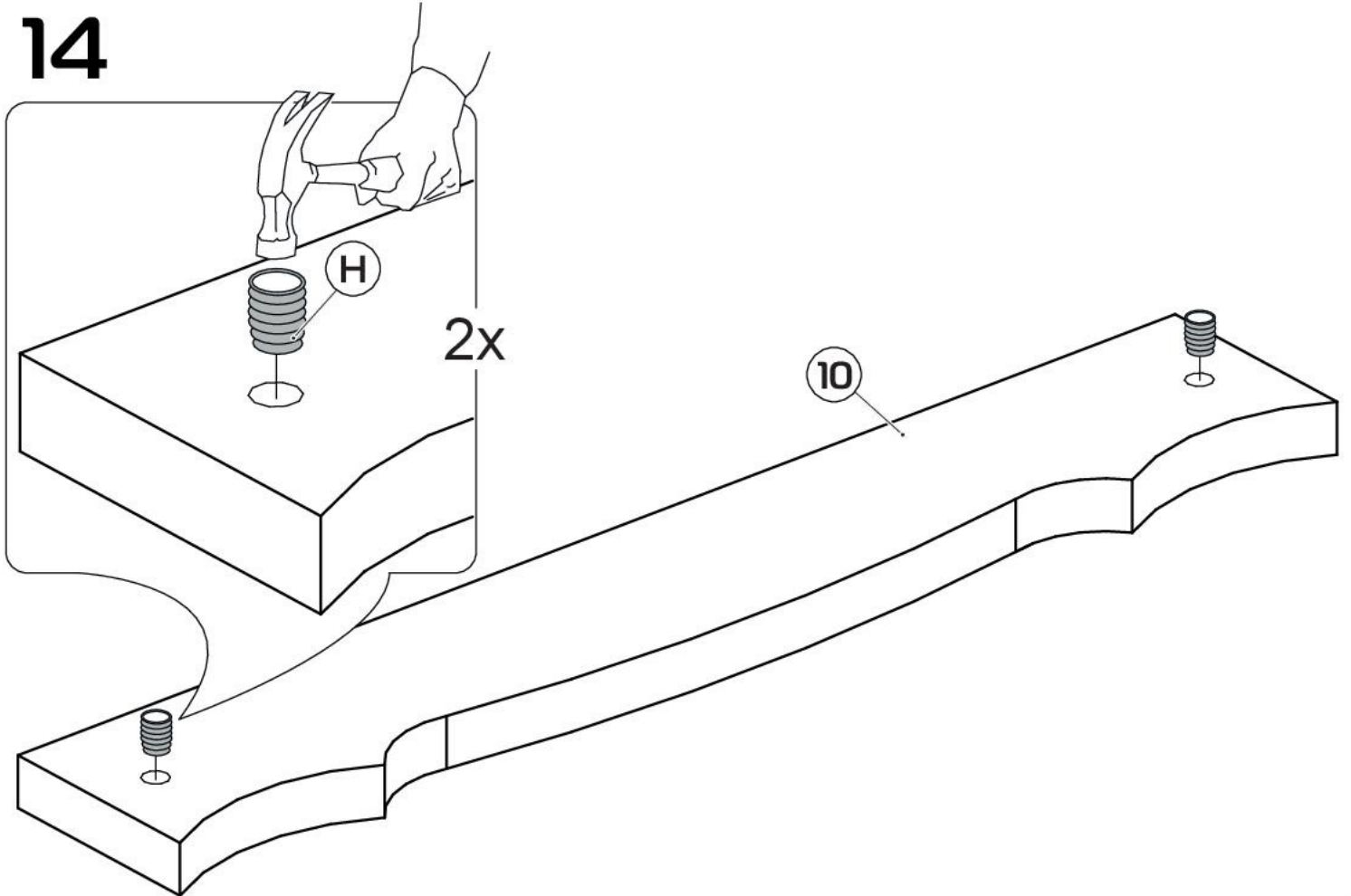
12



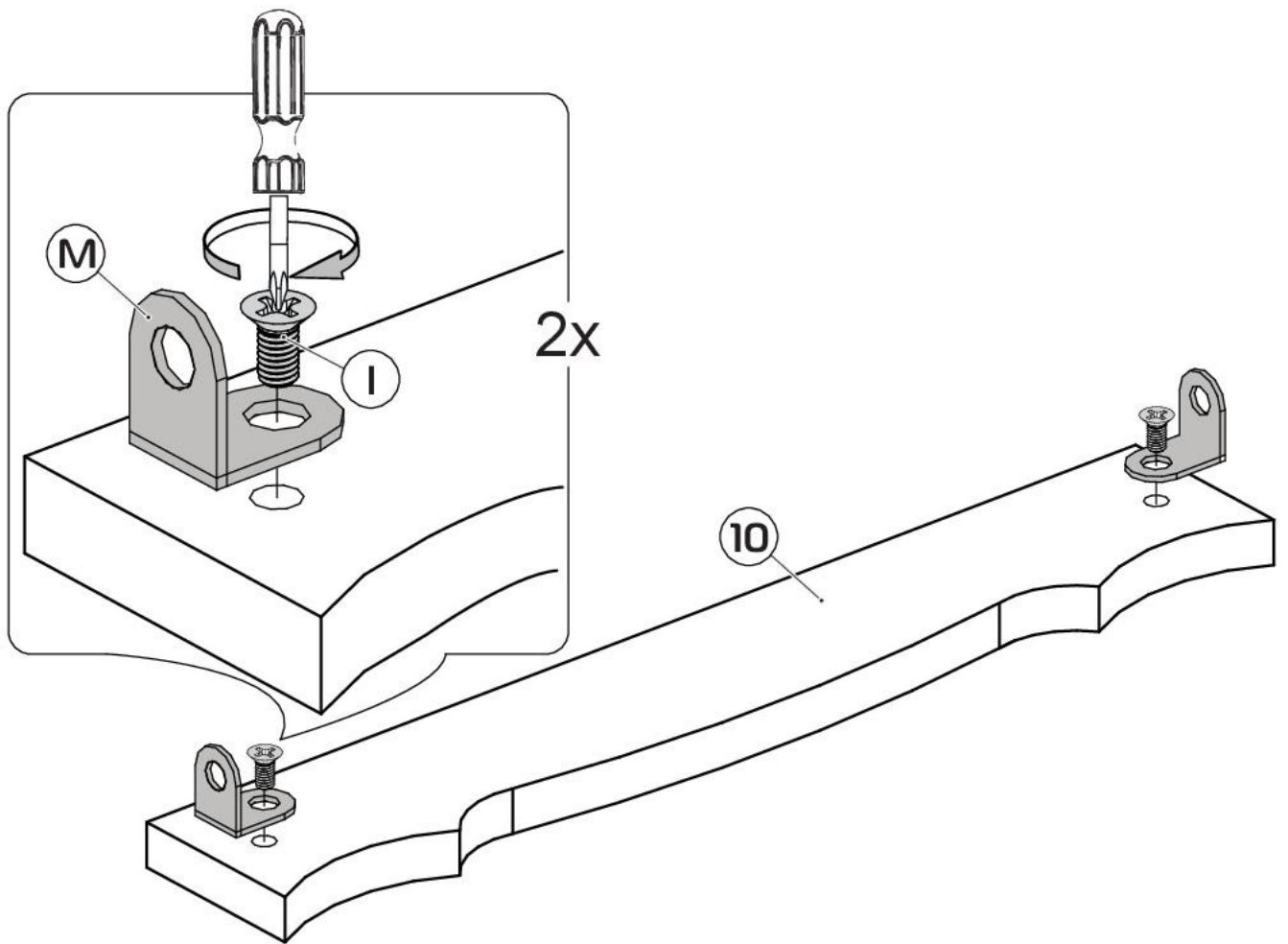
13



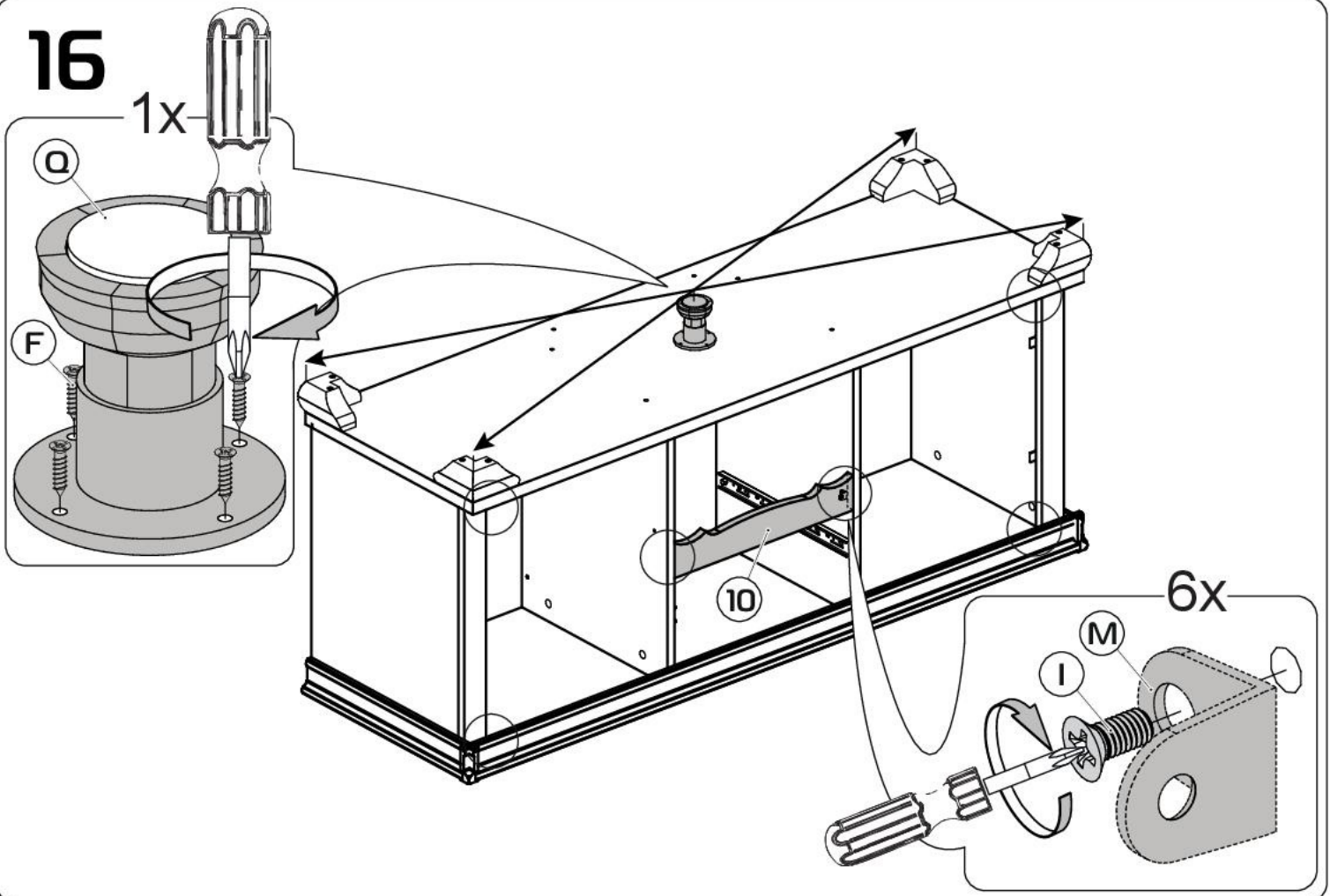
14



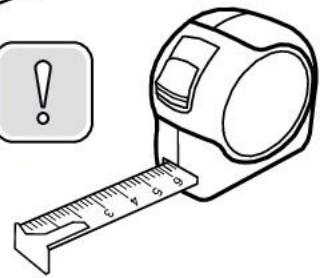
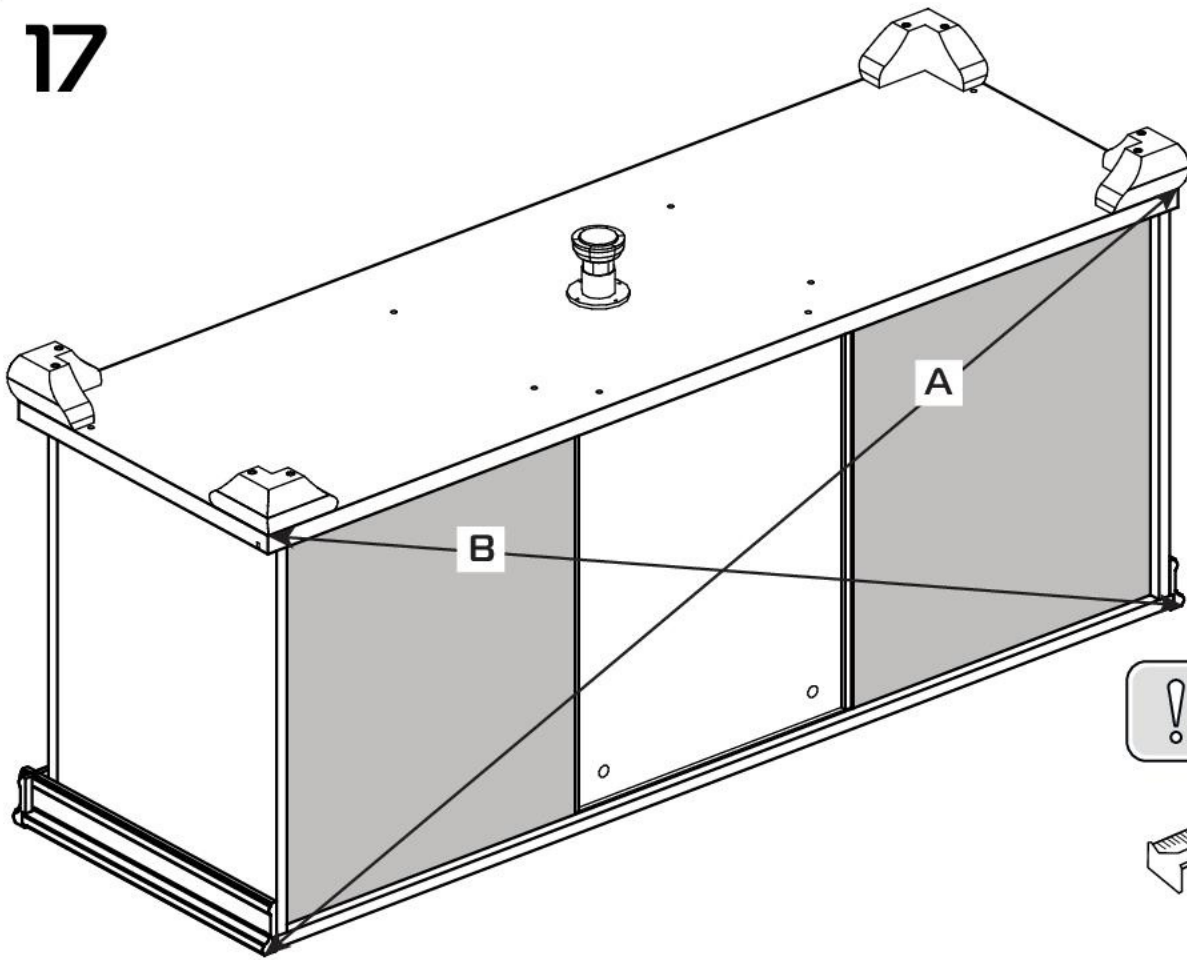
15



16

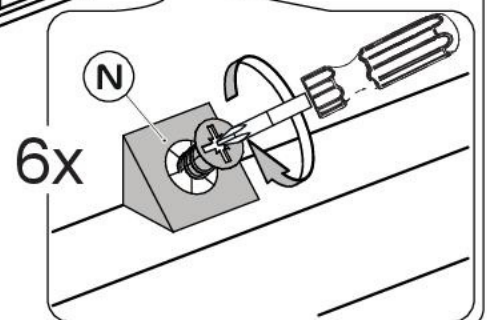
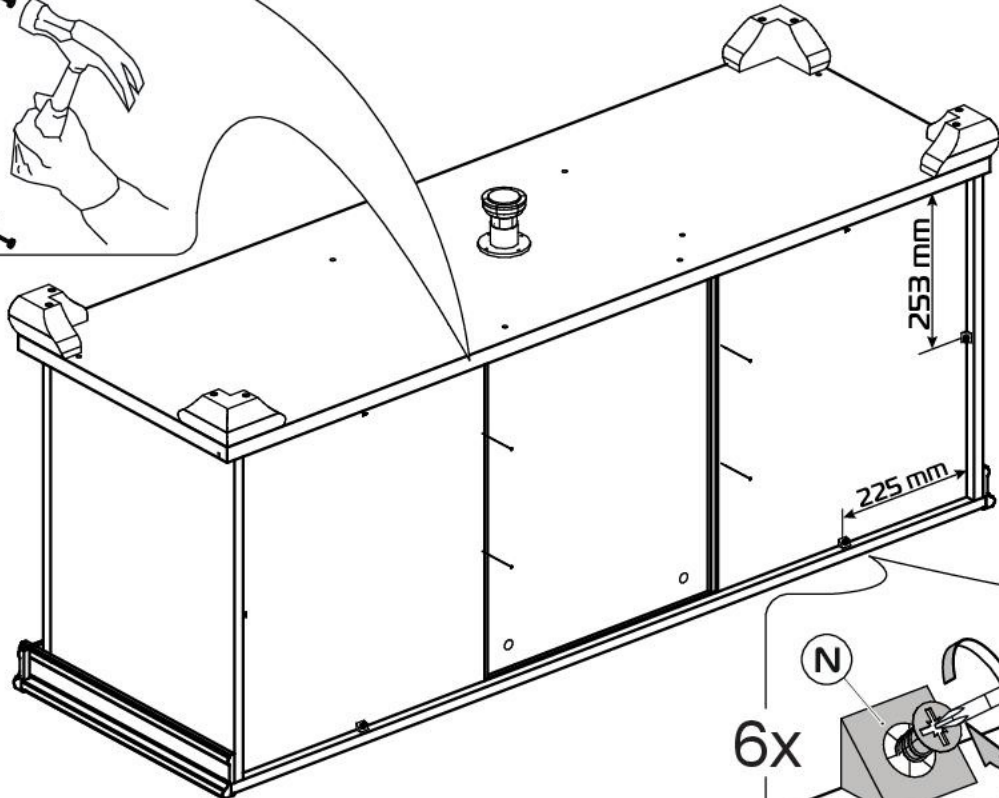
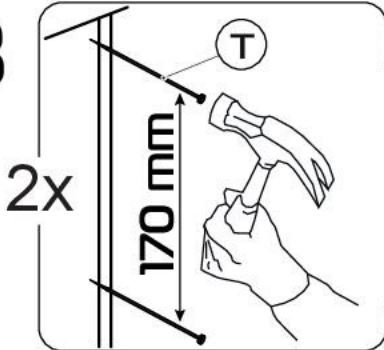


17

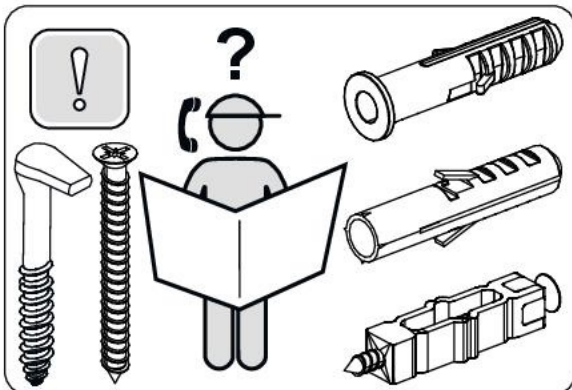
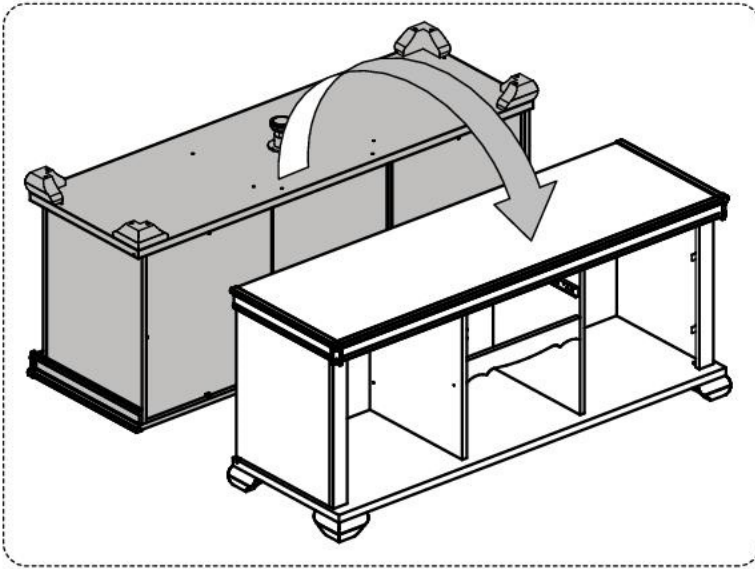
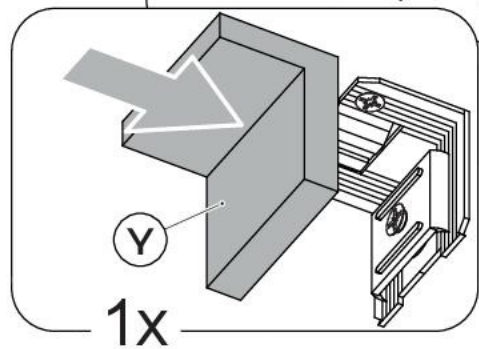
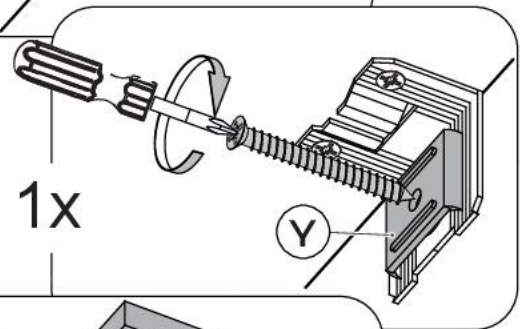
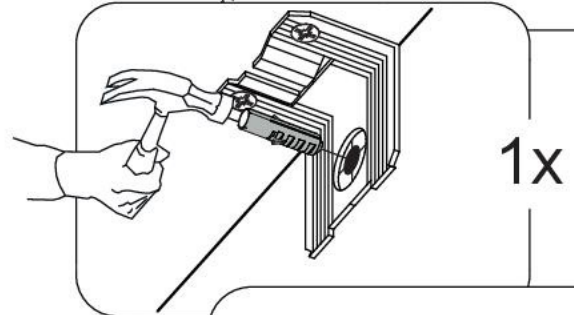
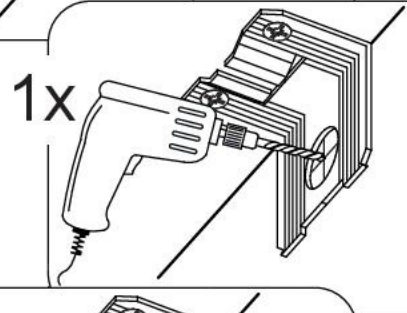
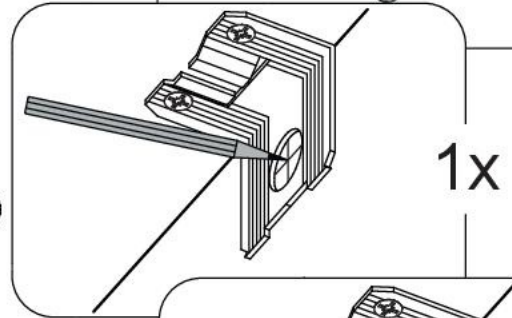
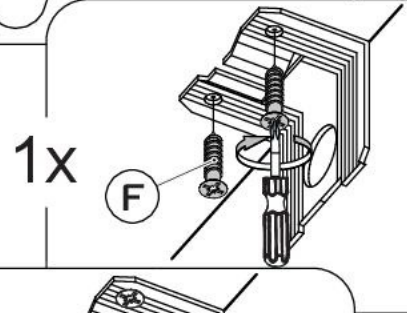
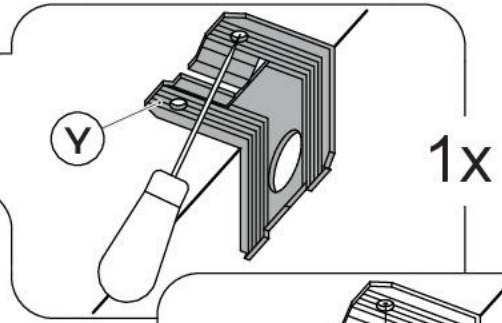
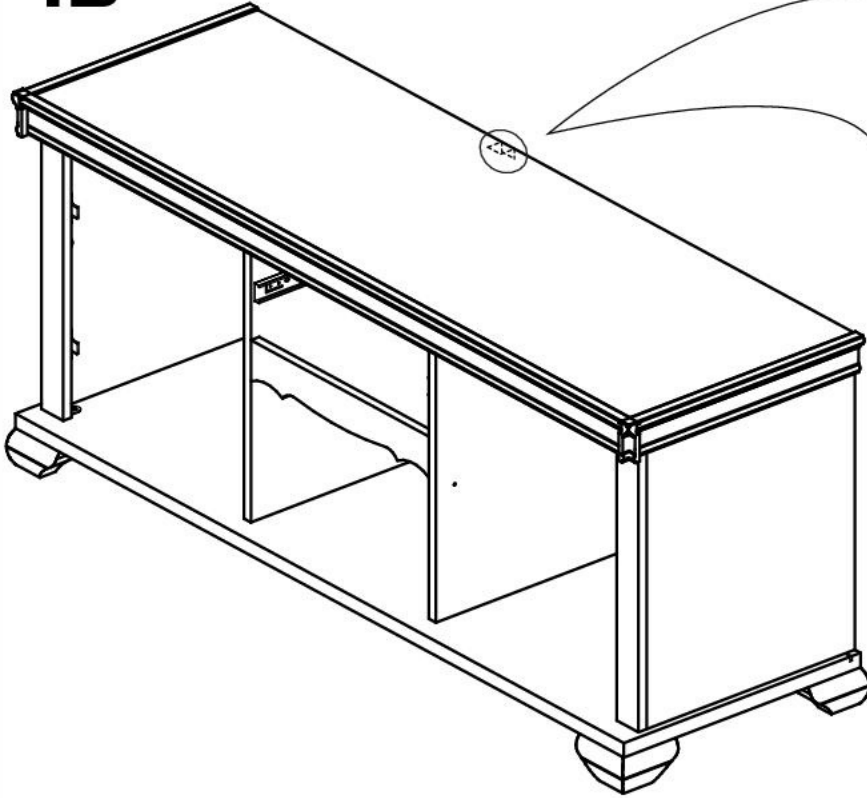


A=B

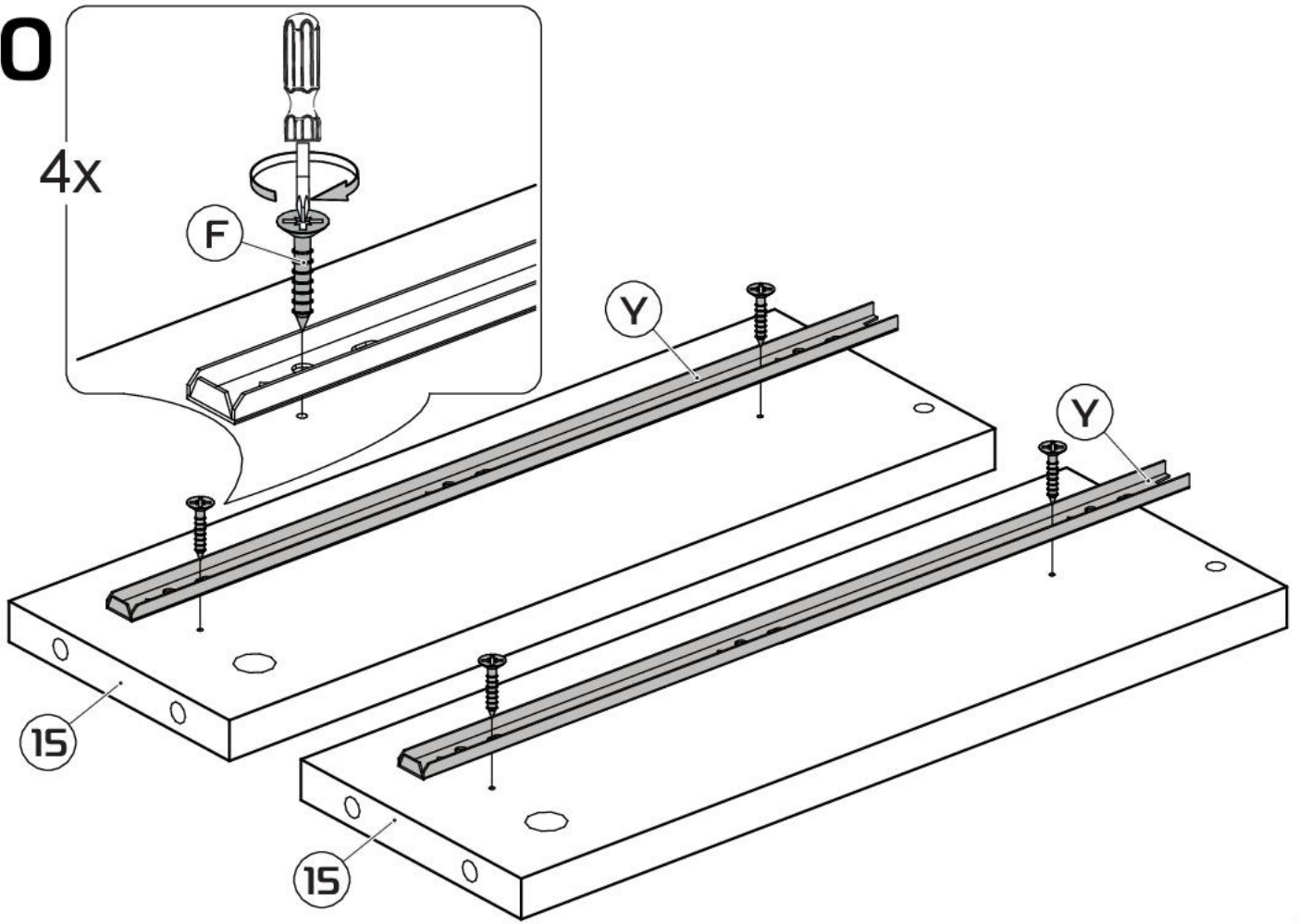
18



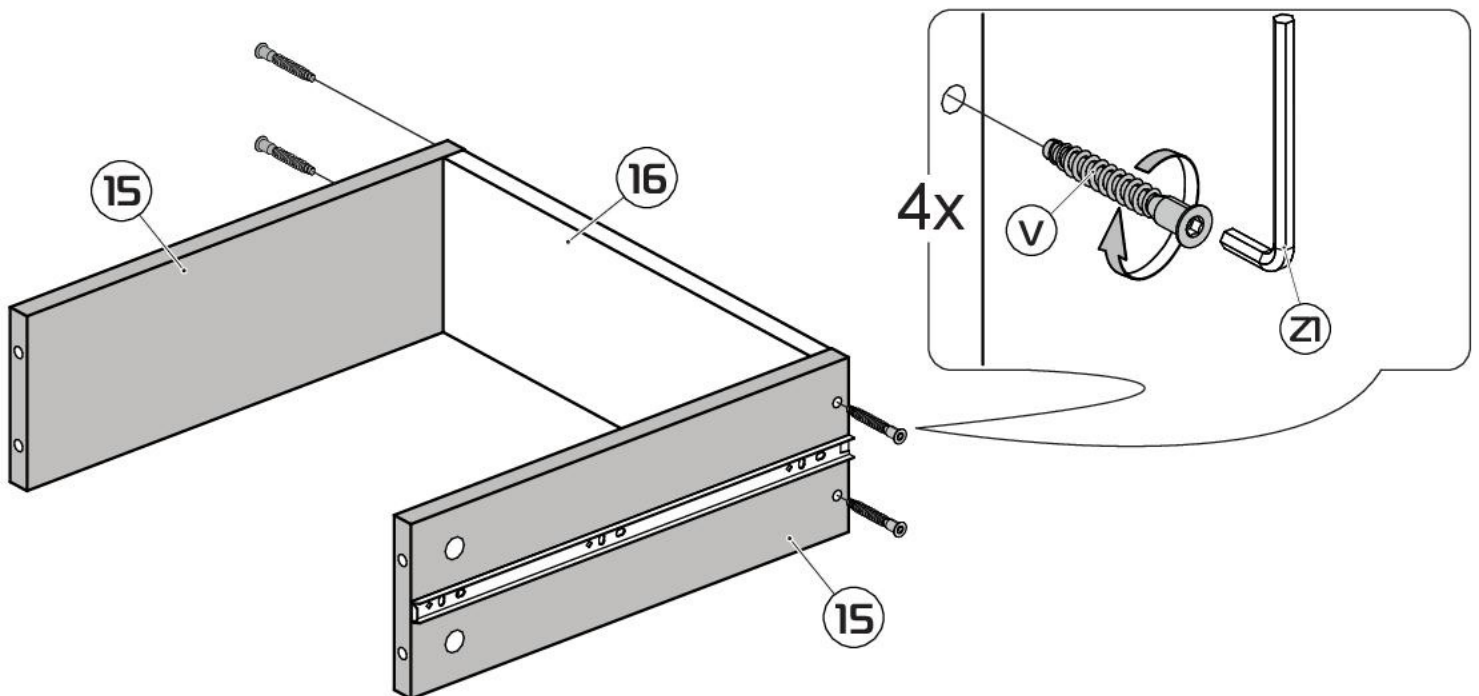
19



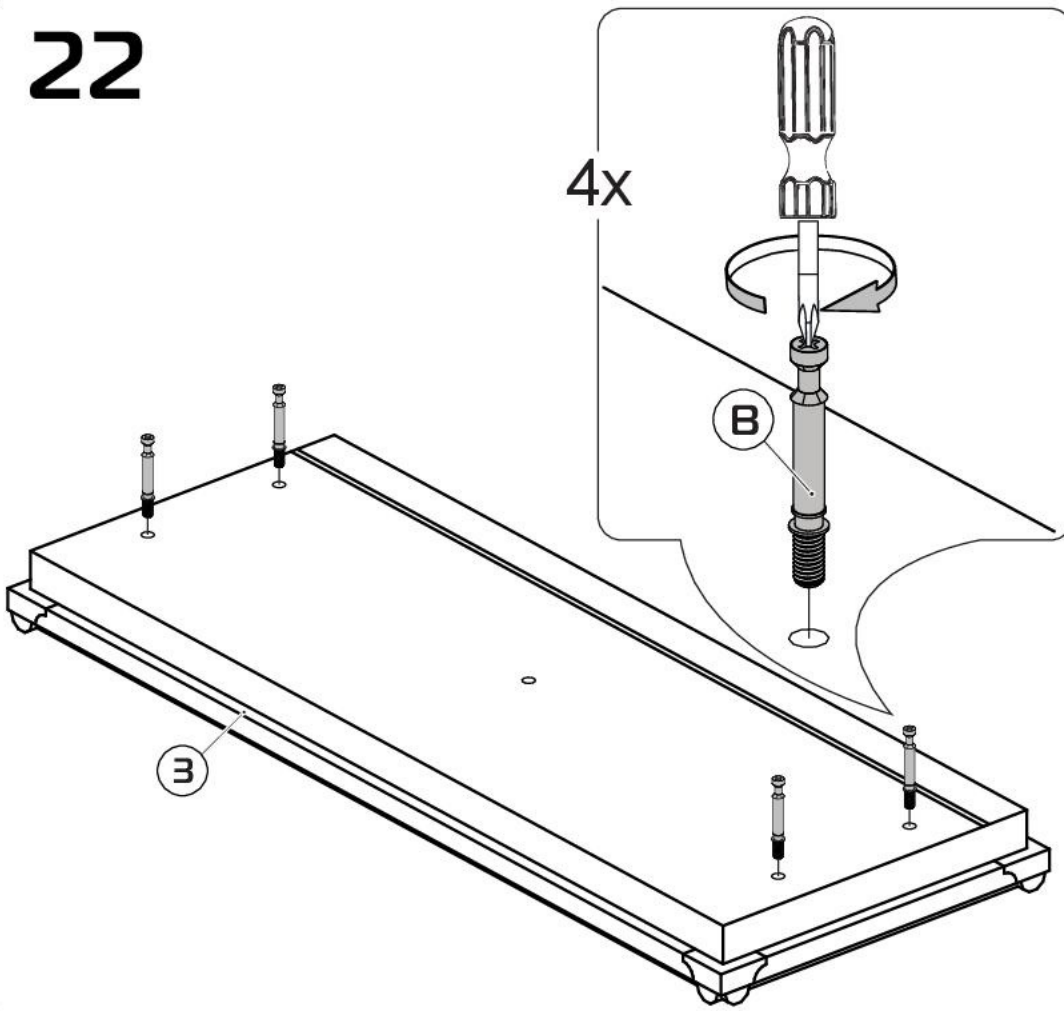
20



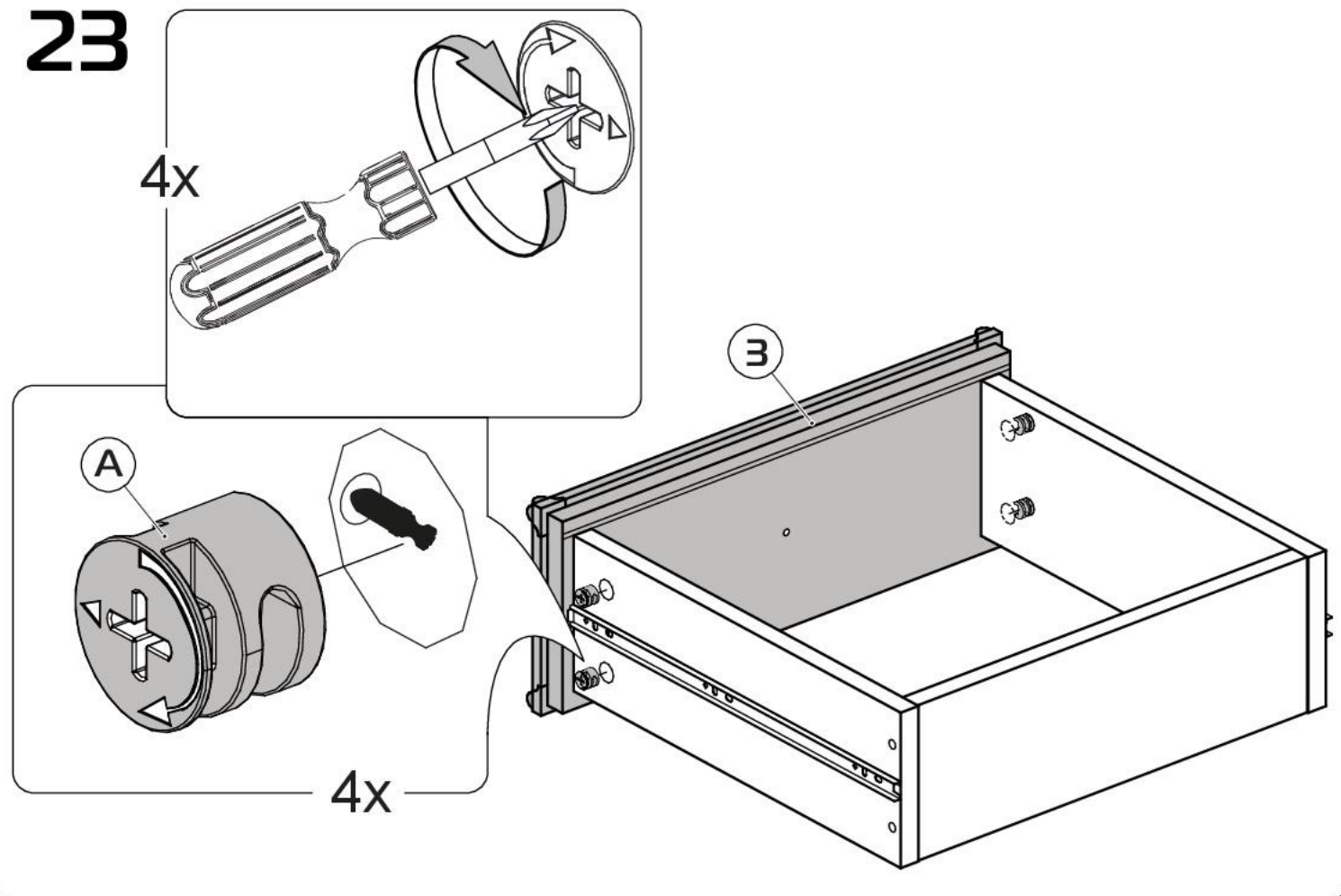
21



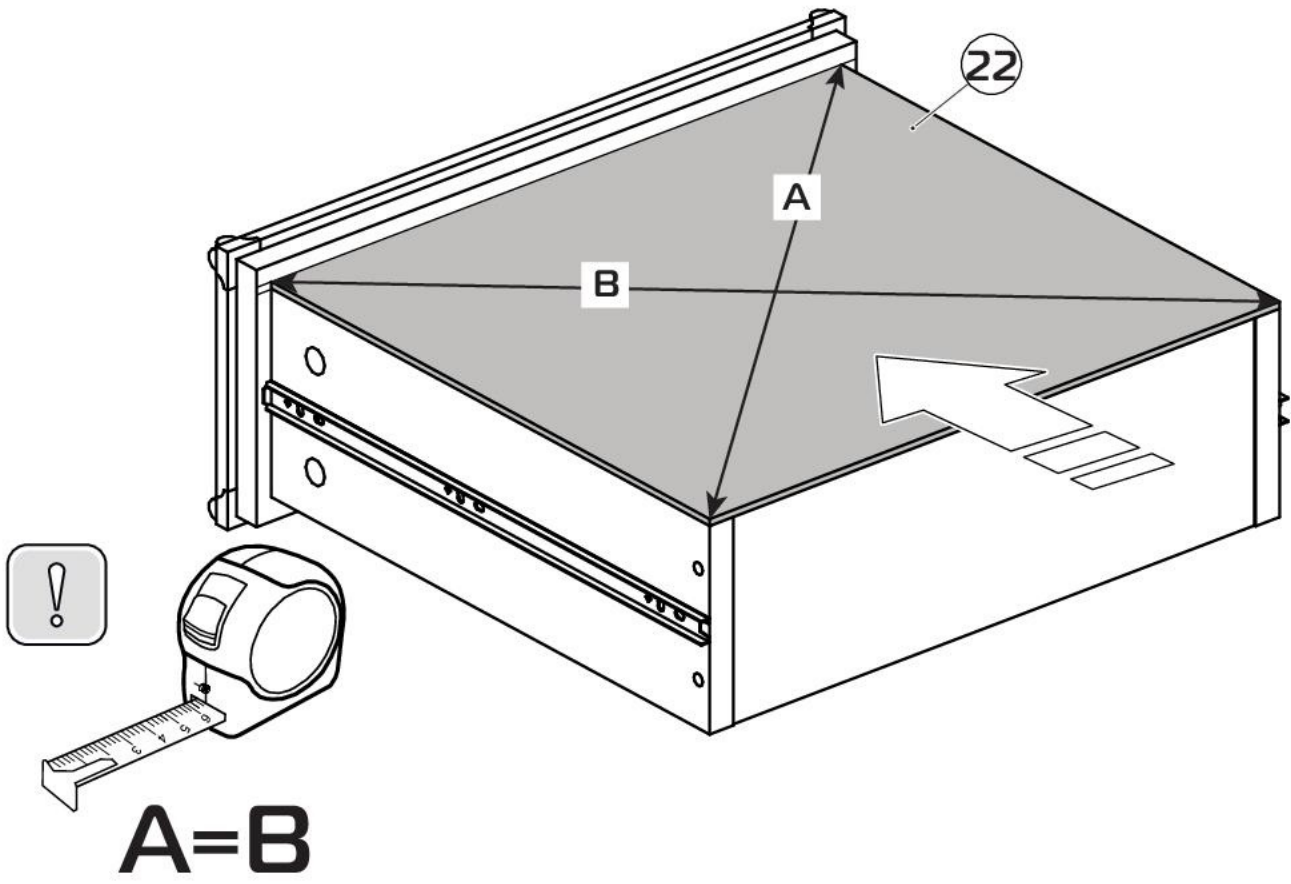
22



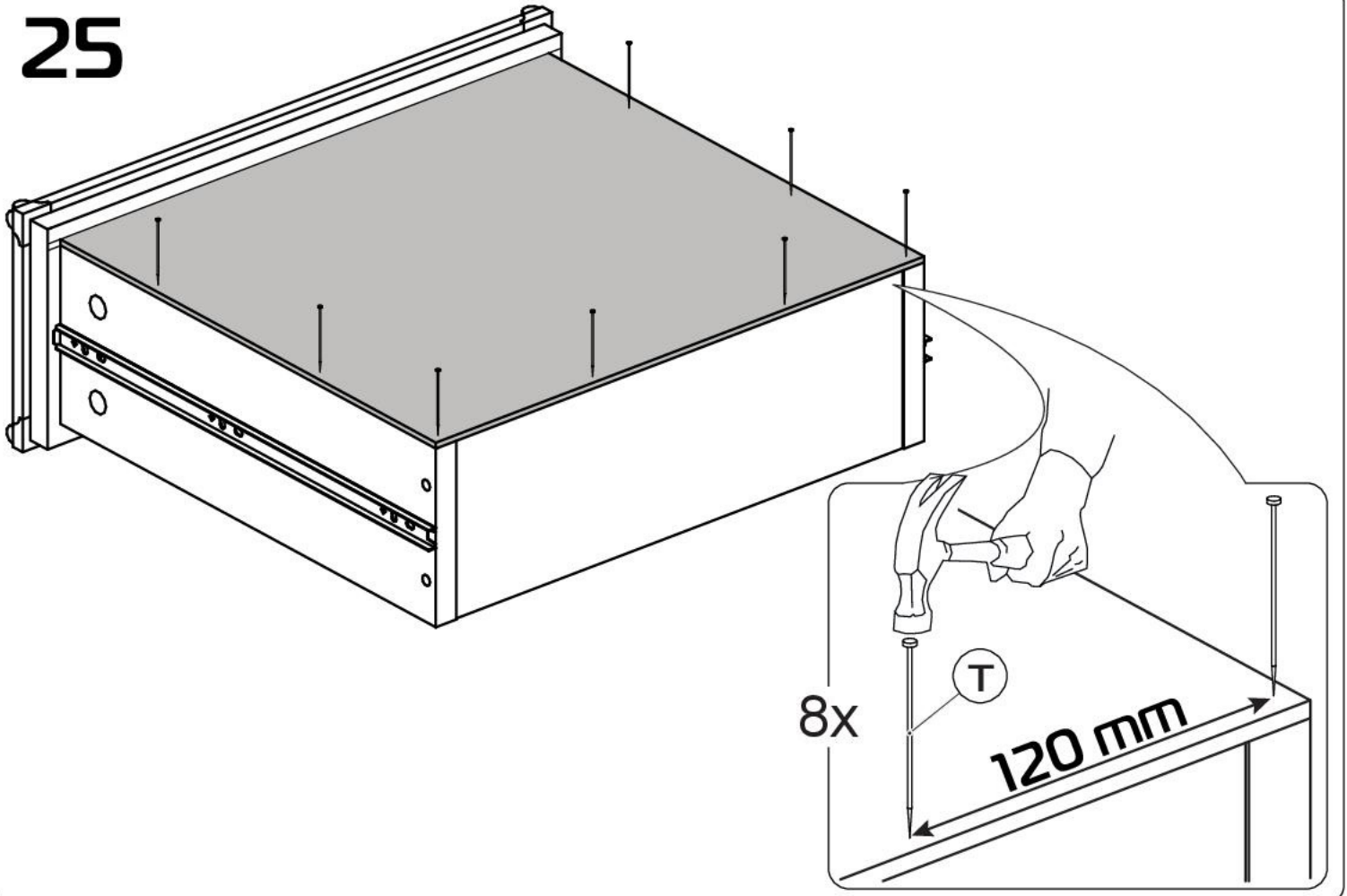
23



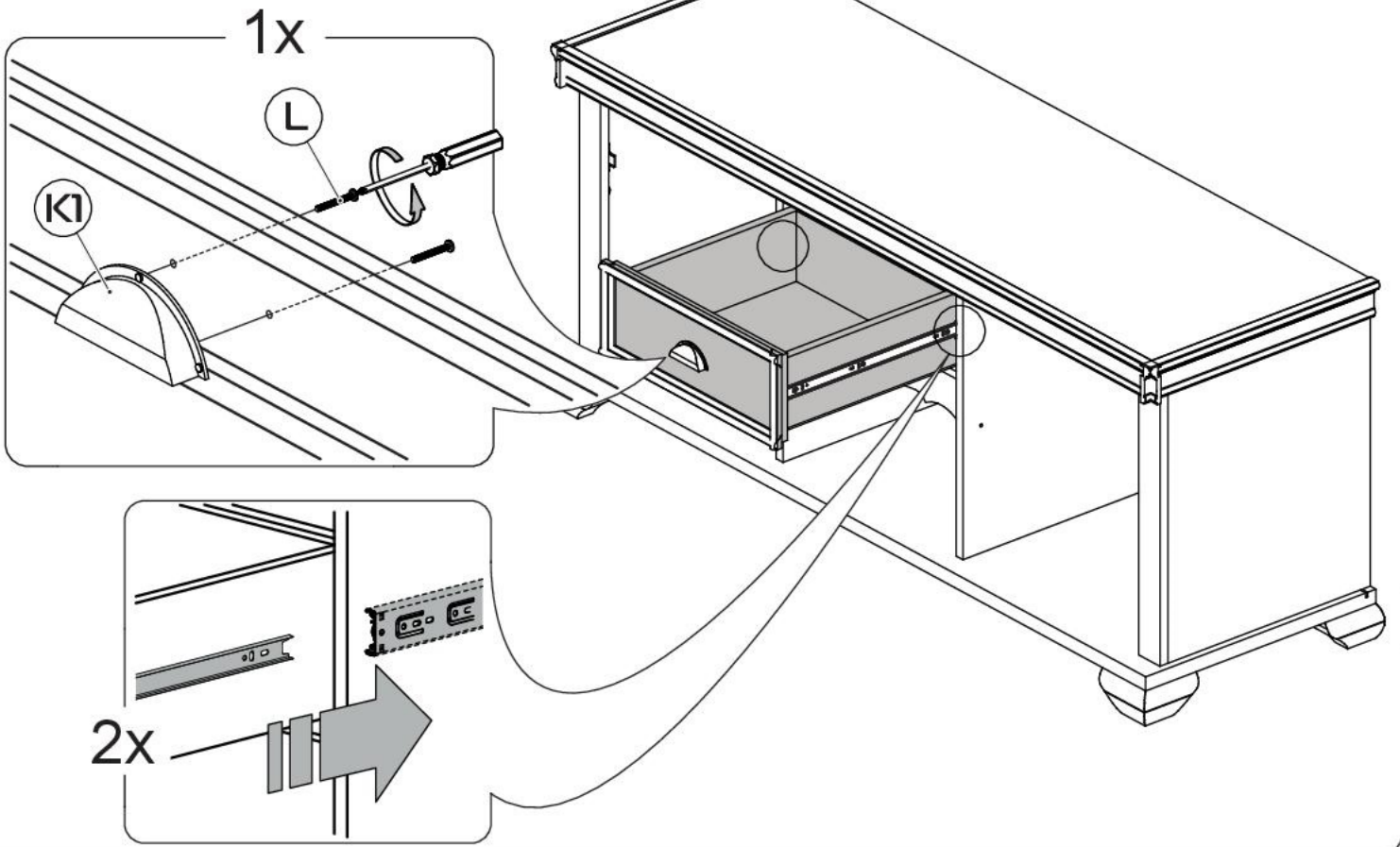
24



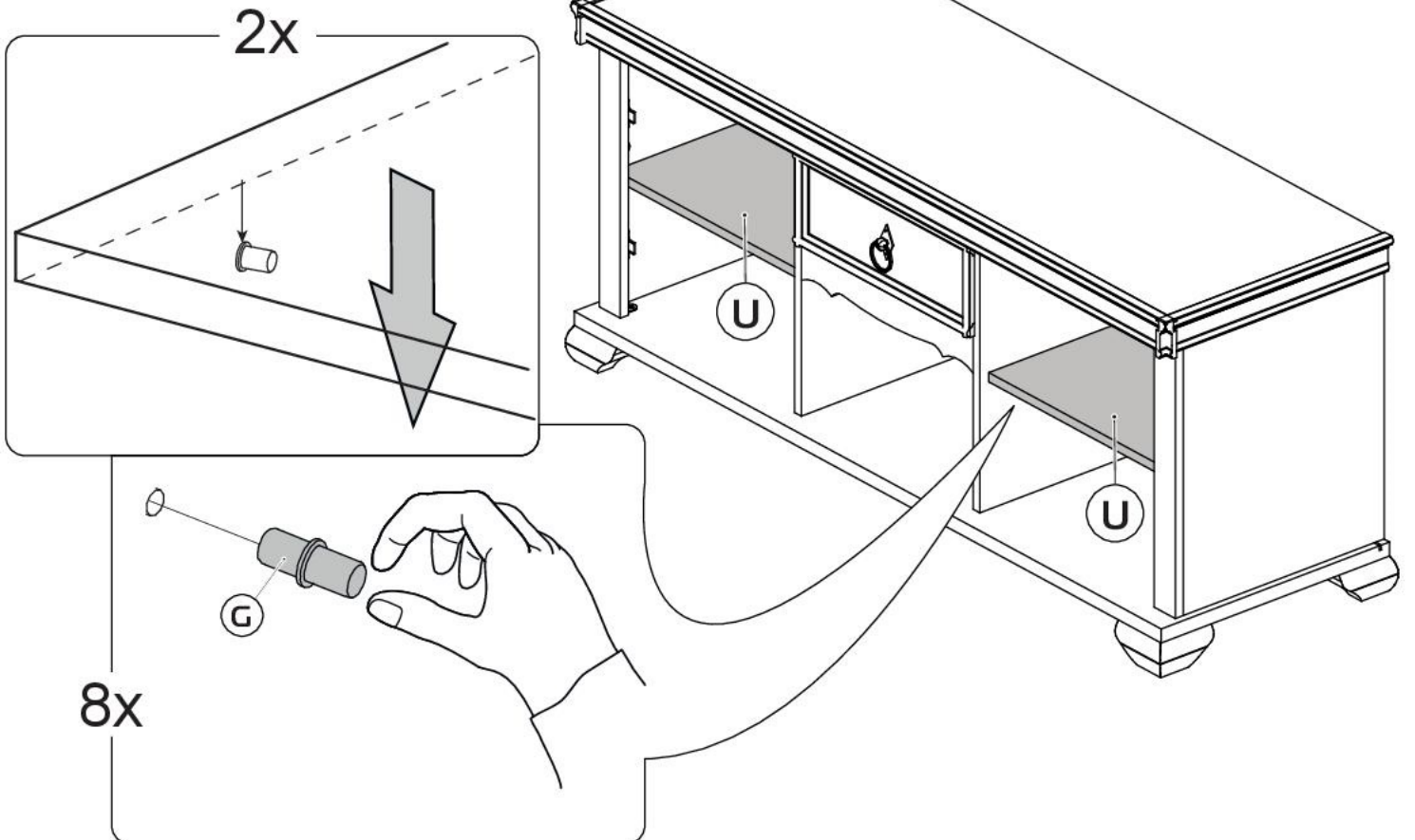
25



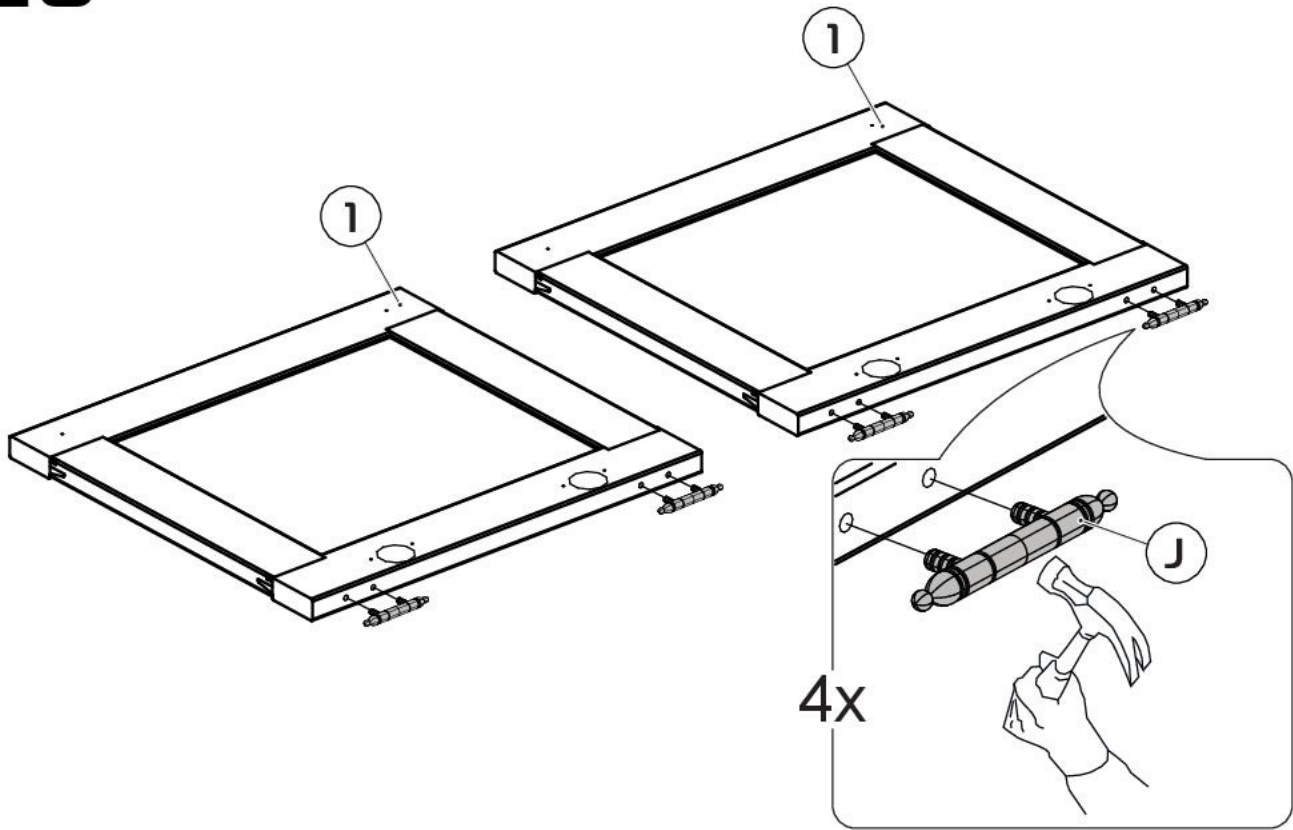
26



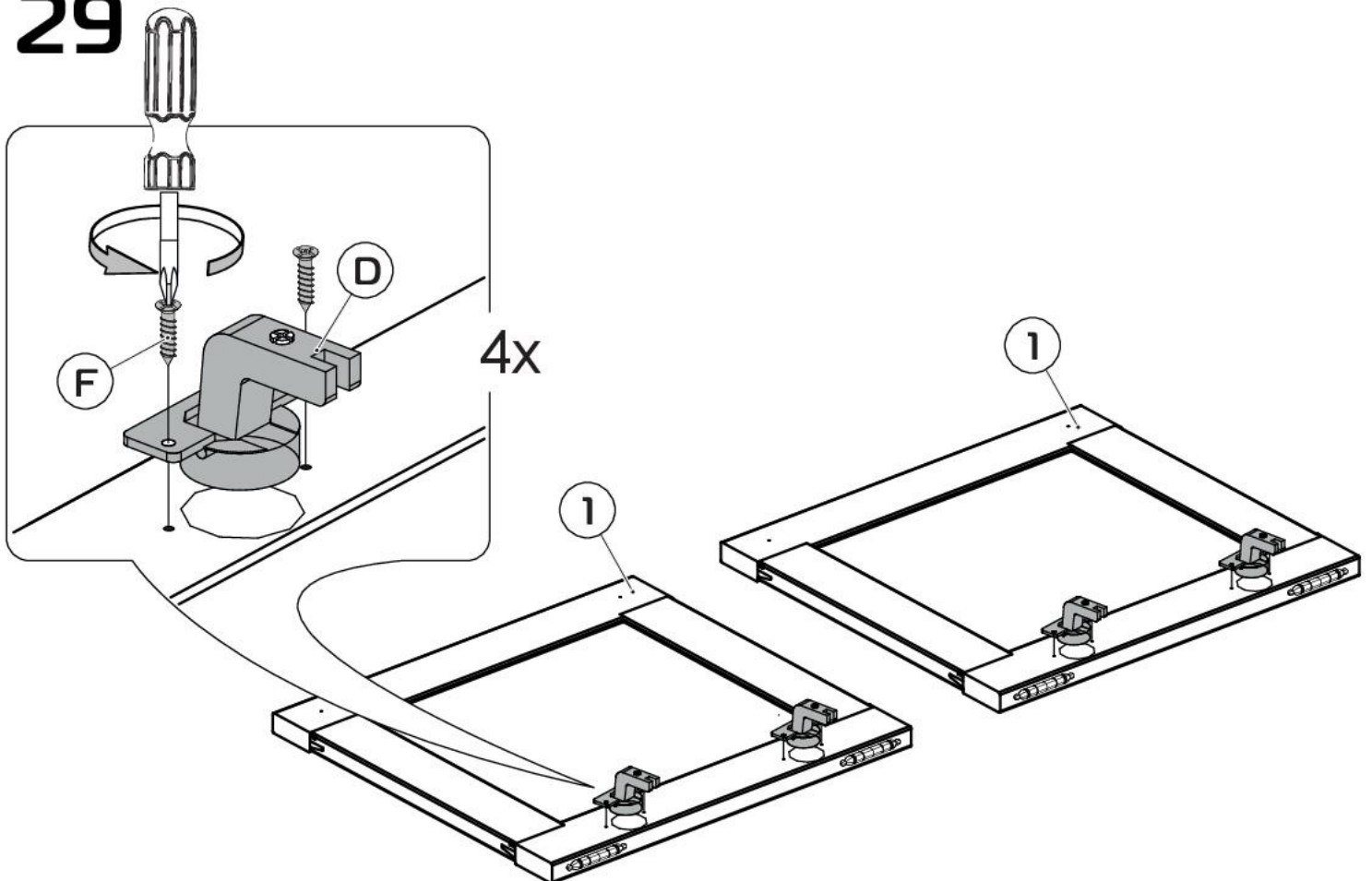
27



28

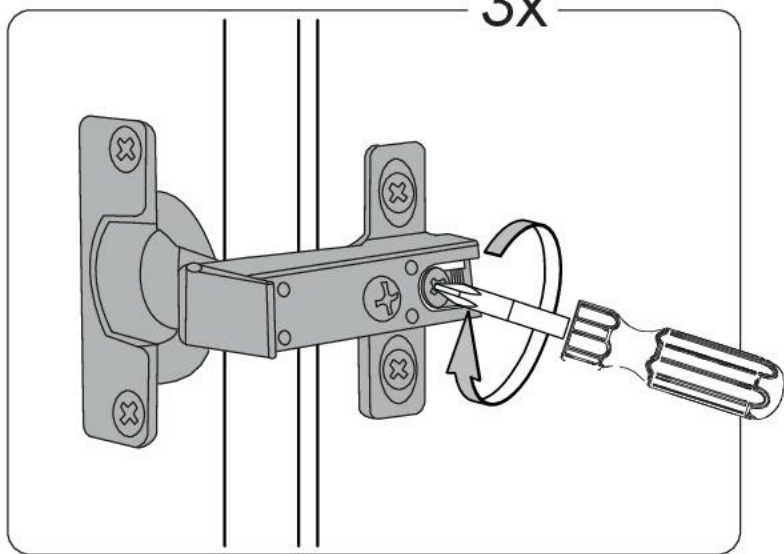


29

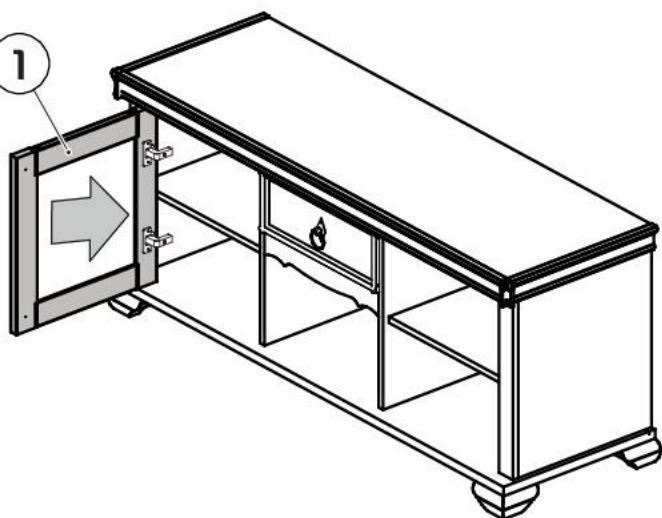


30

3x

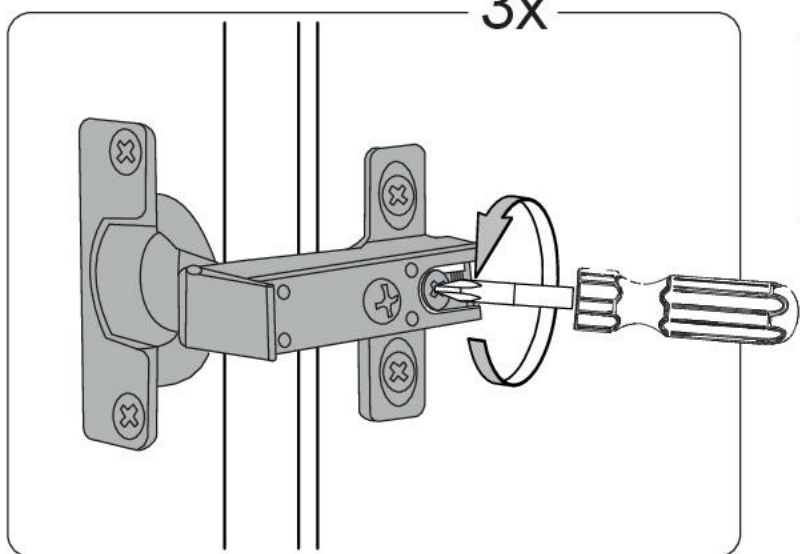


1

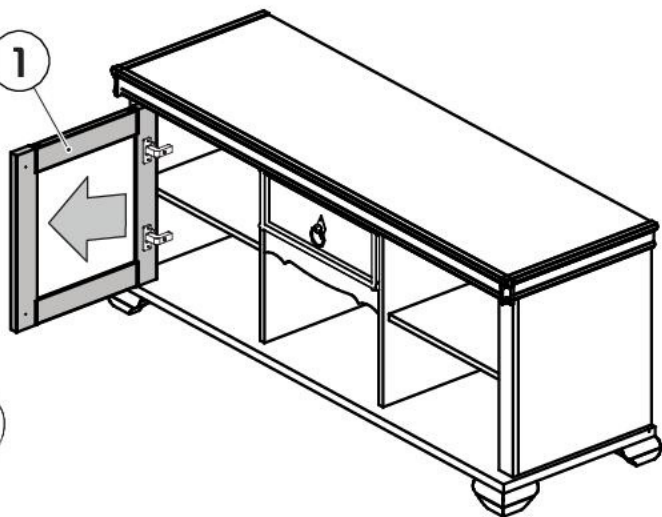


31

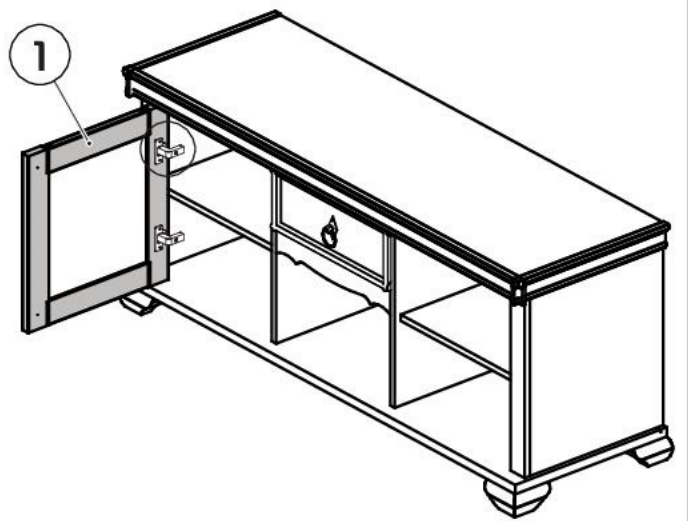
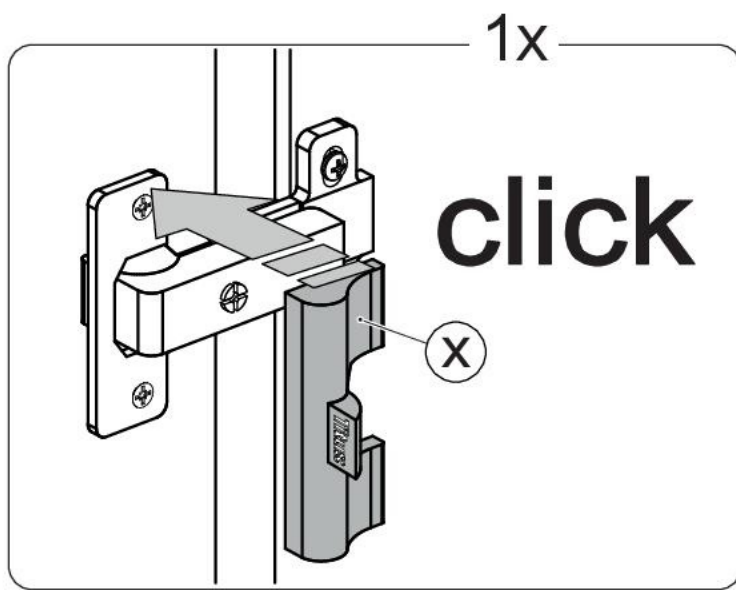
3x



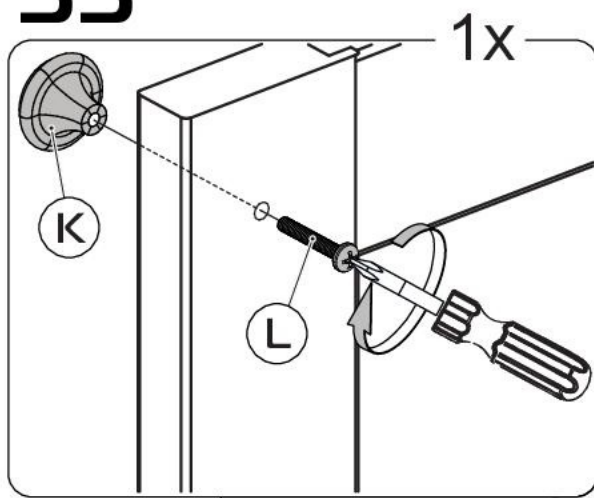
1



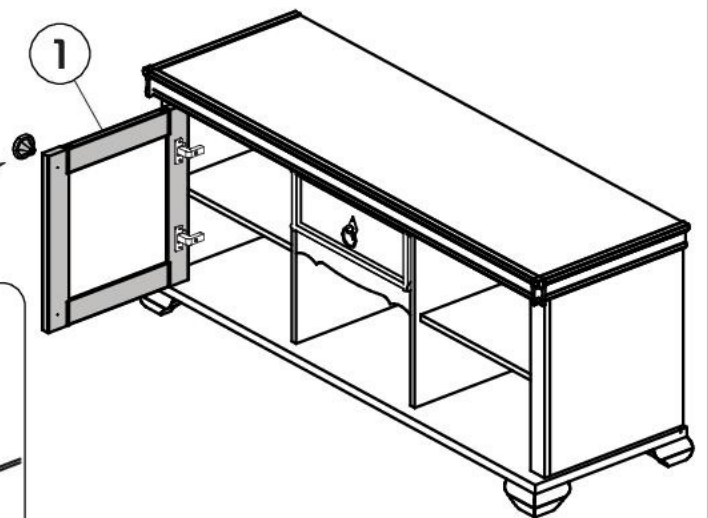
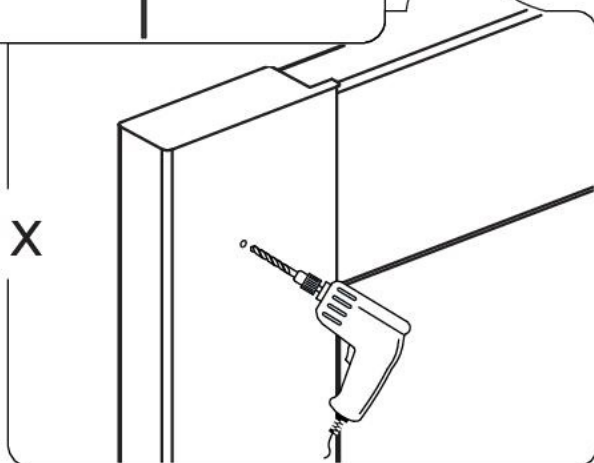
32



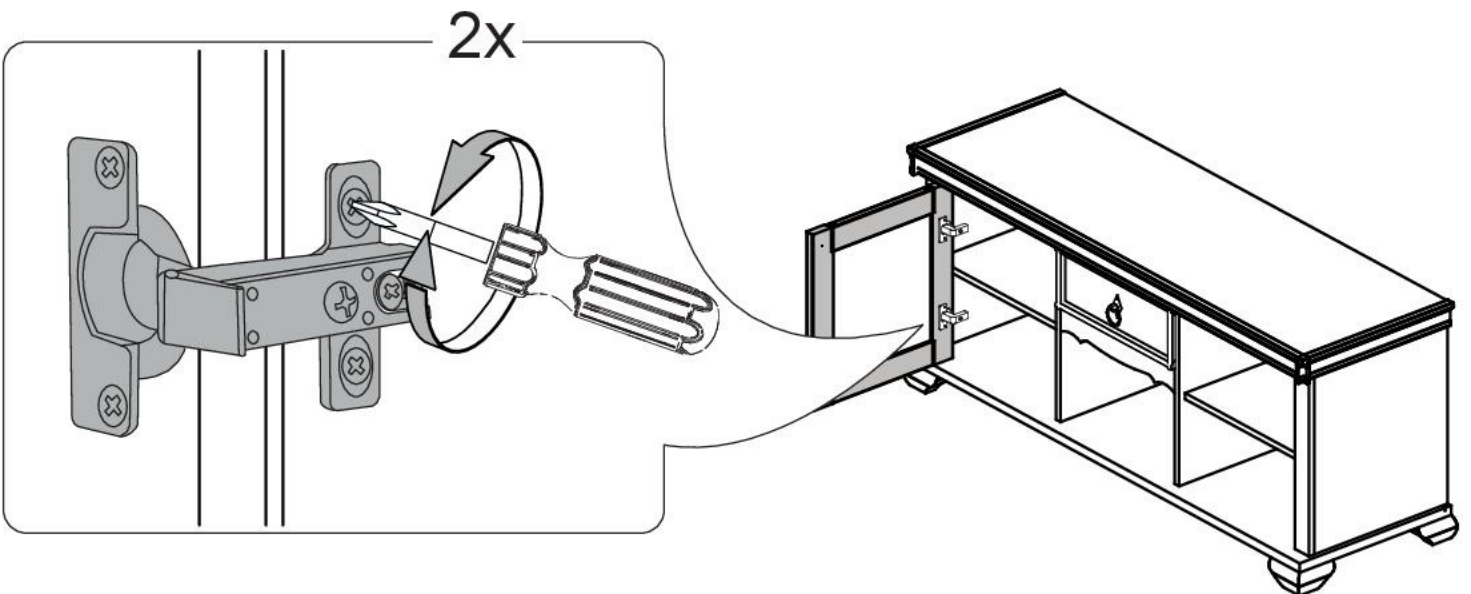
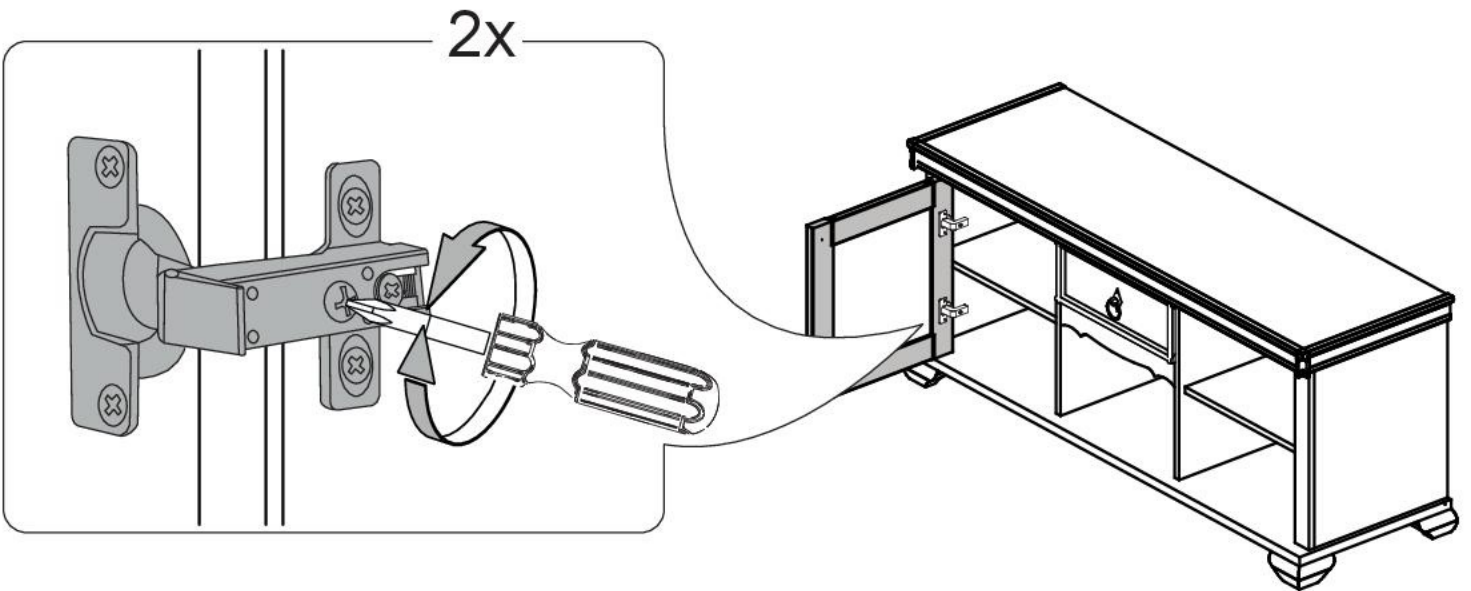
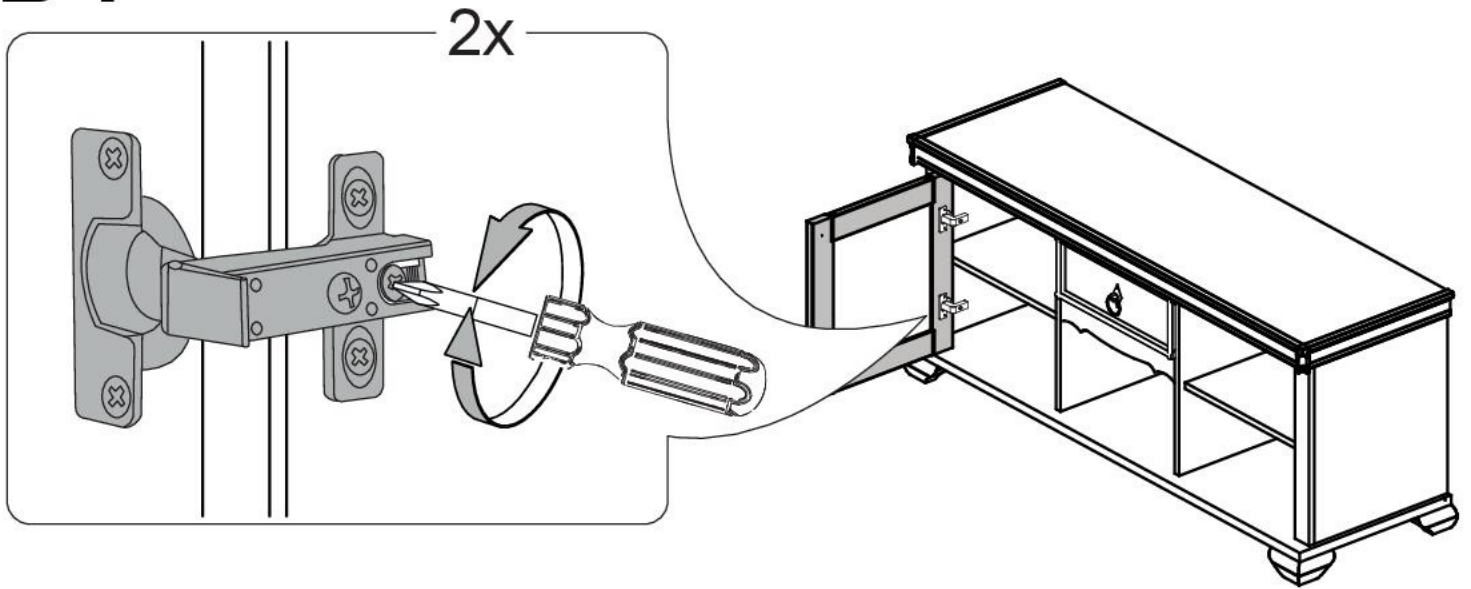
33



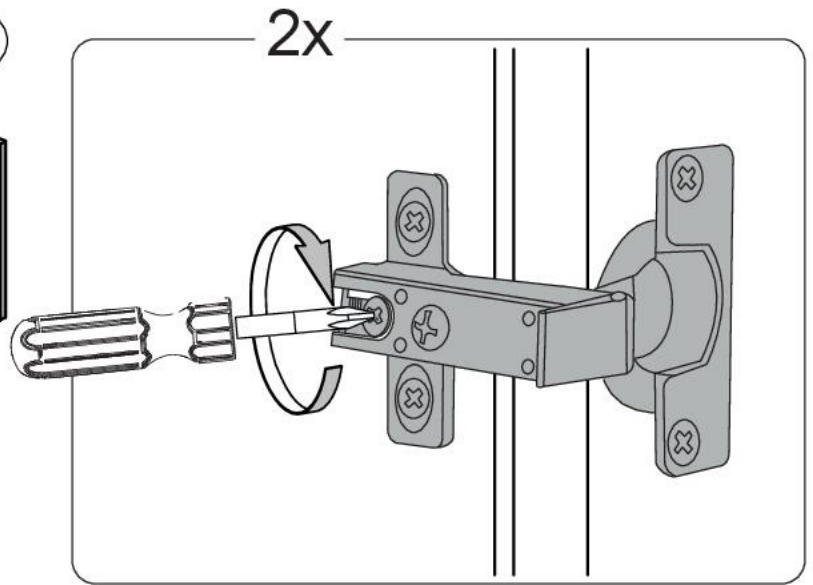
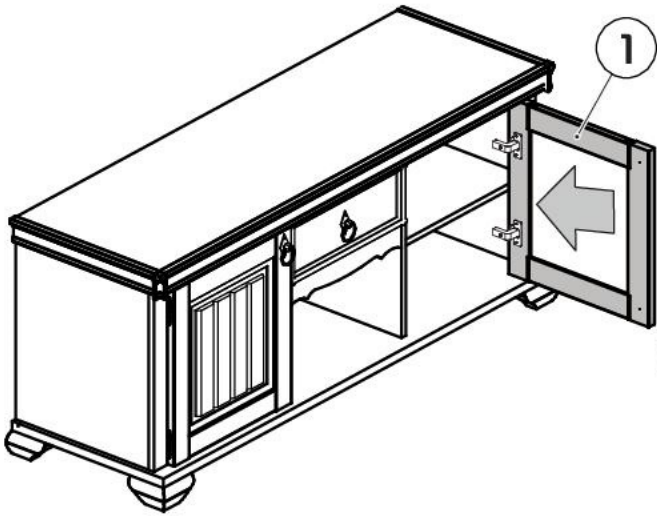
1x



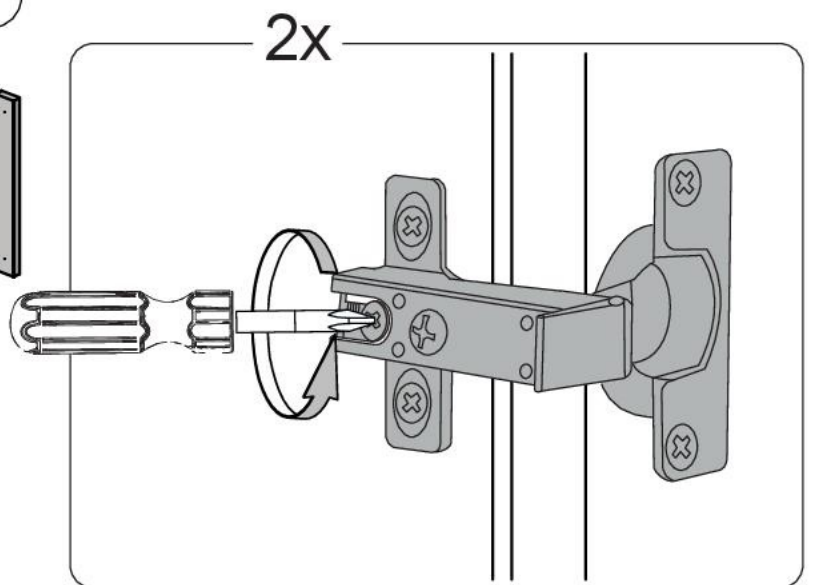
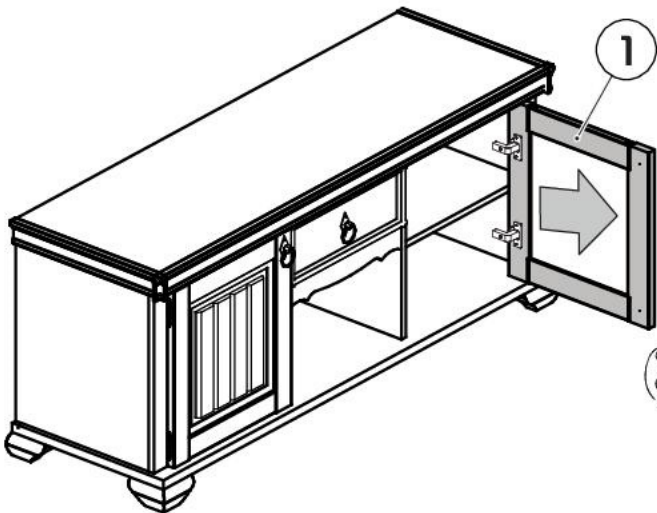
34



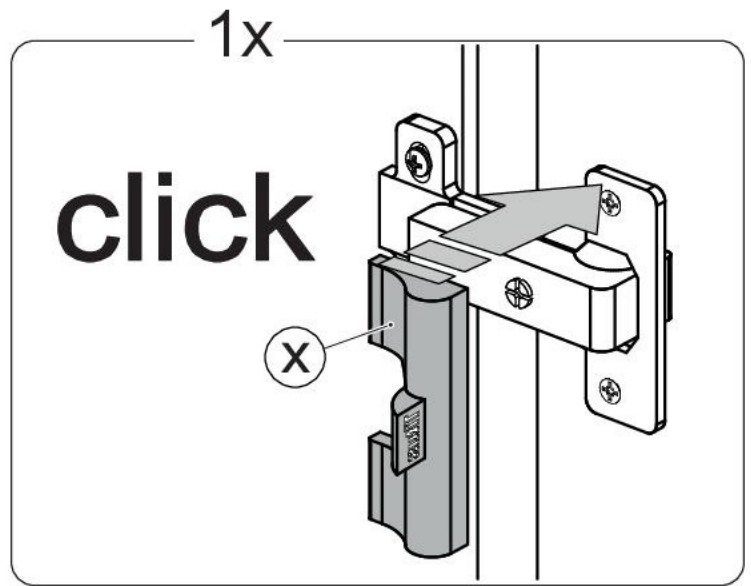
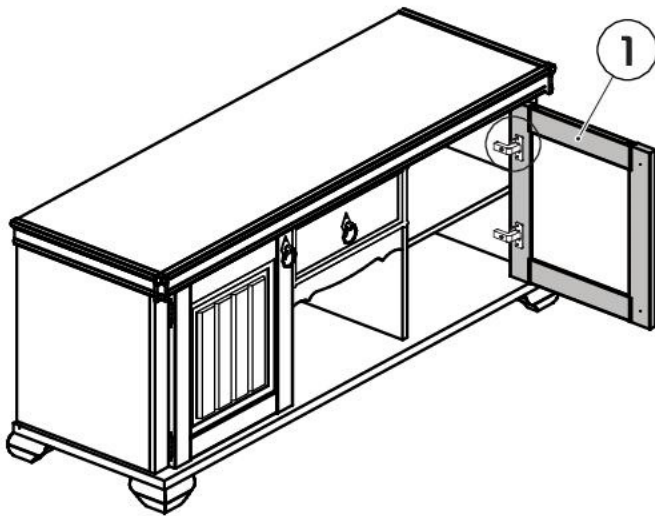
35



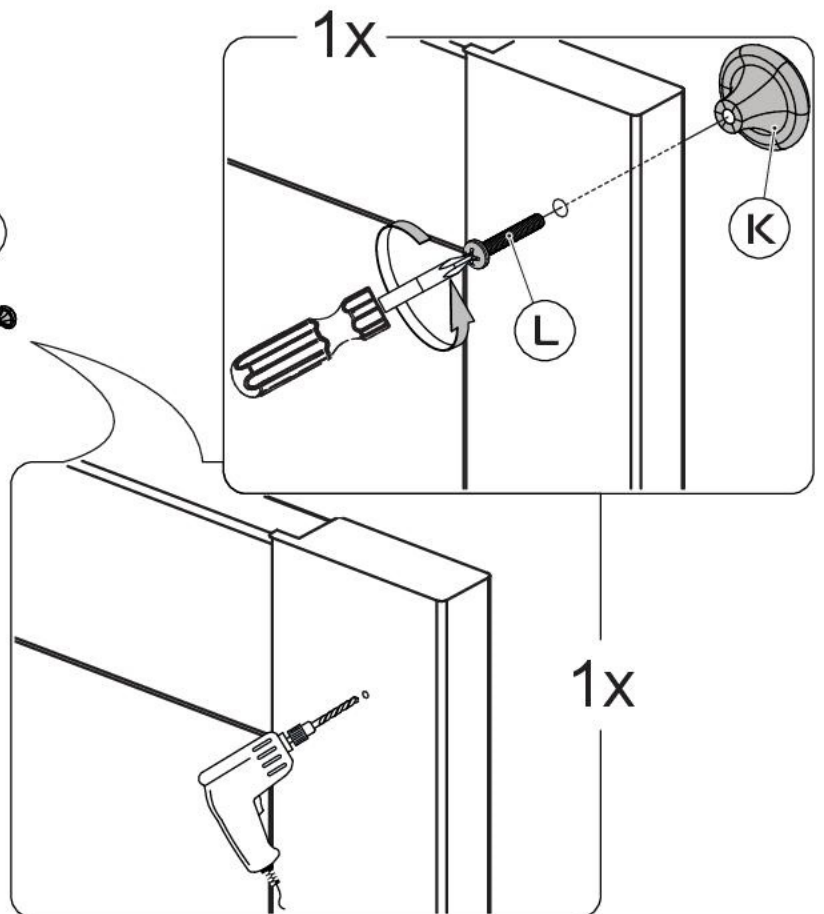
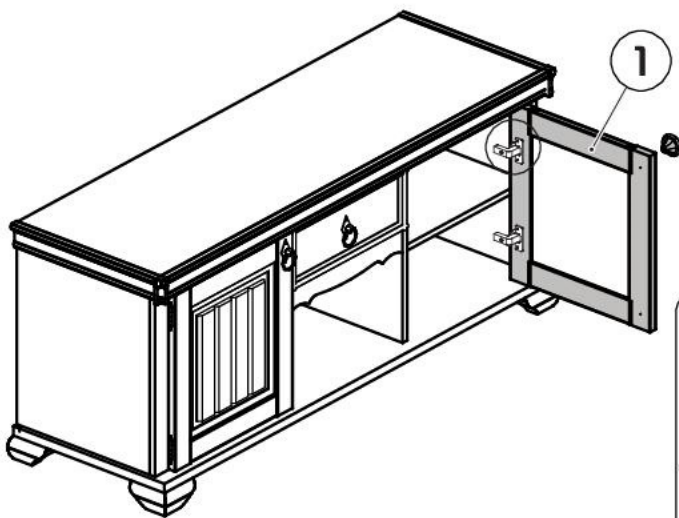
36



37



38



39

