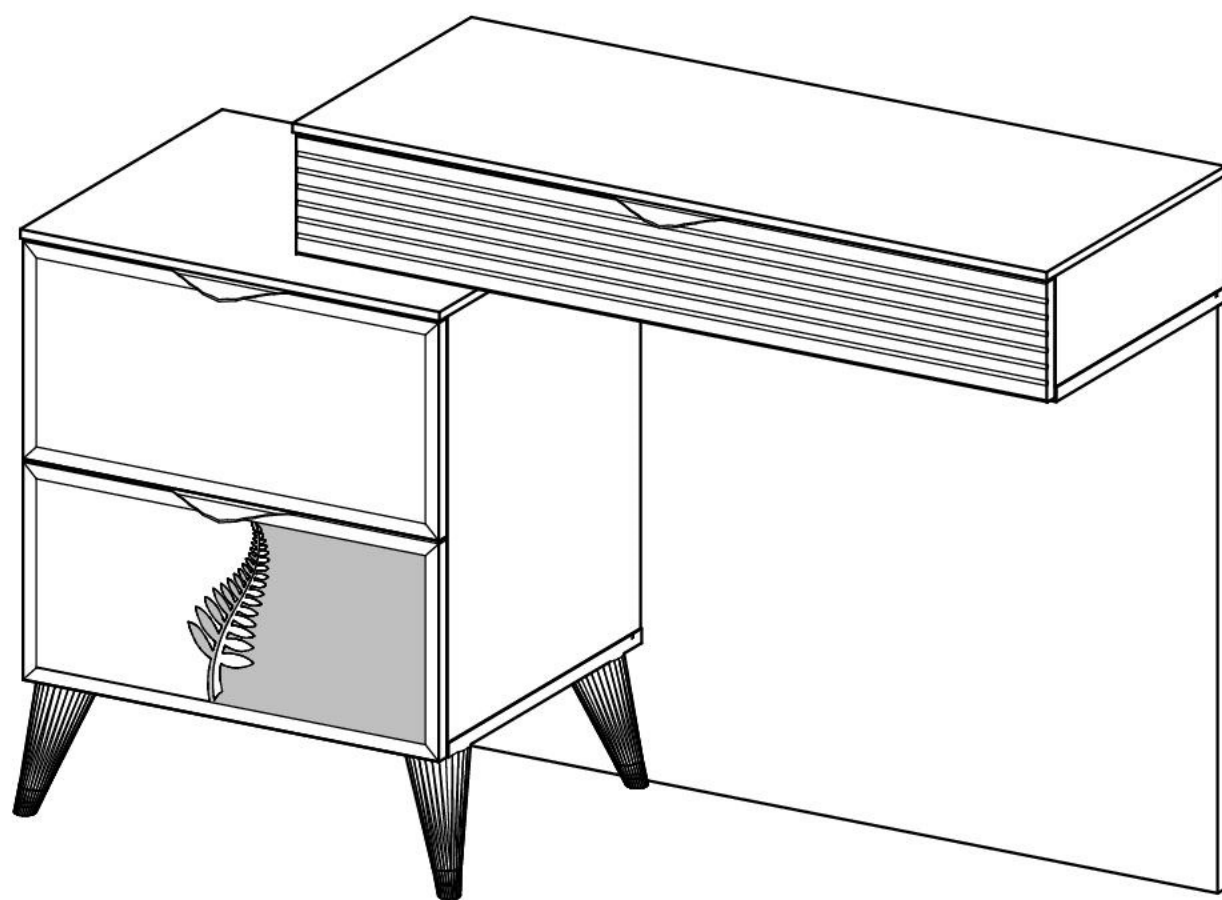
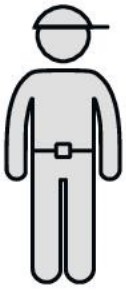
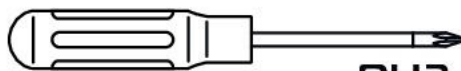
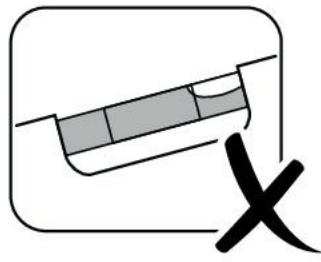
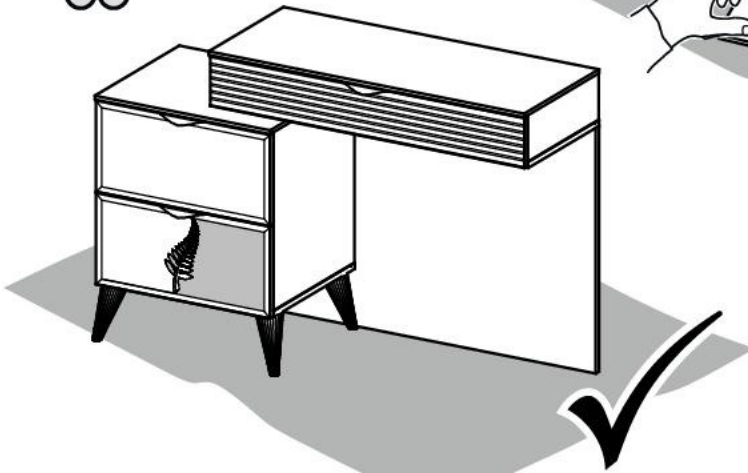


Toaletní stolek Melody

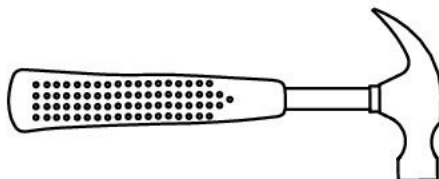
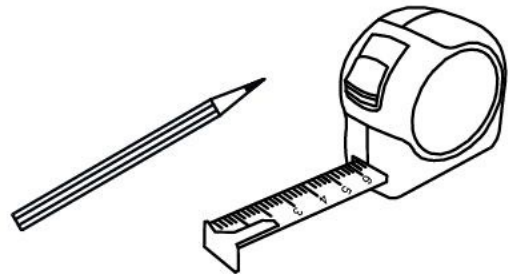
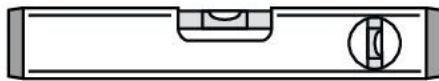


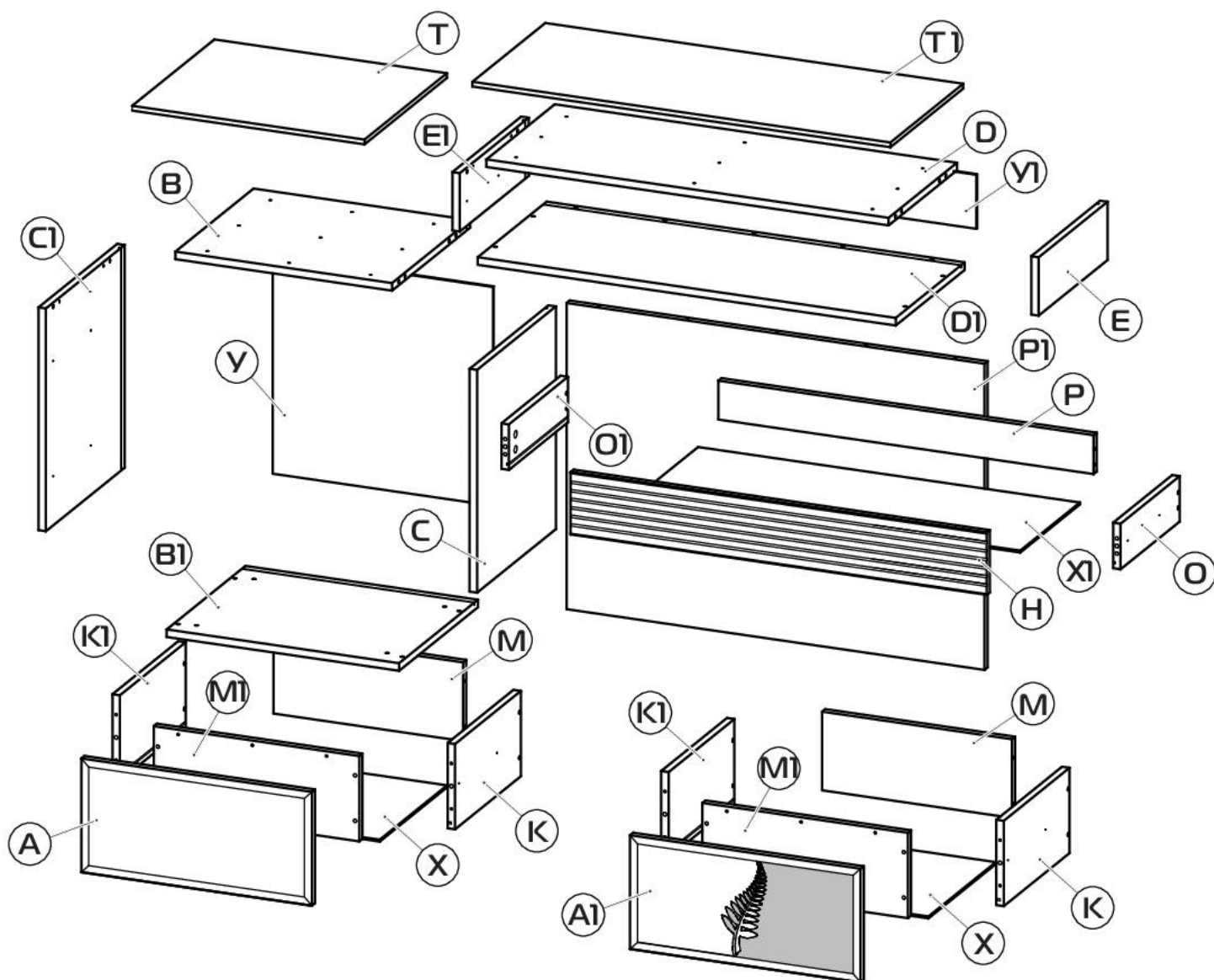


180 min



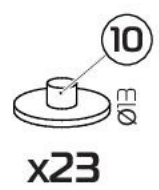
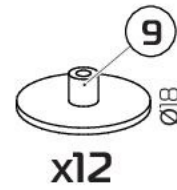
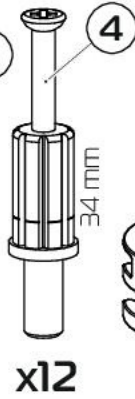
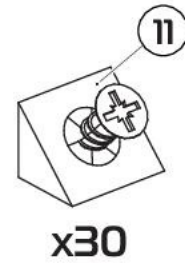
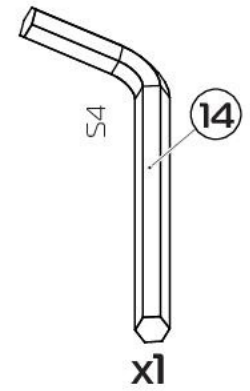
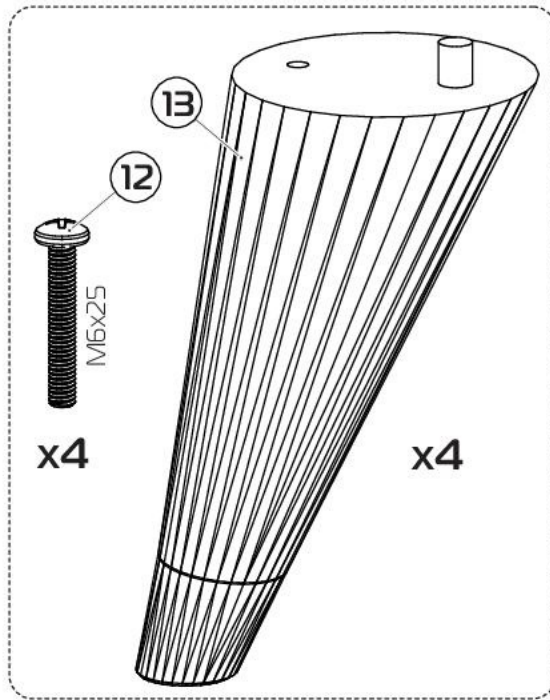
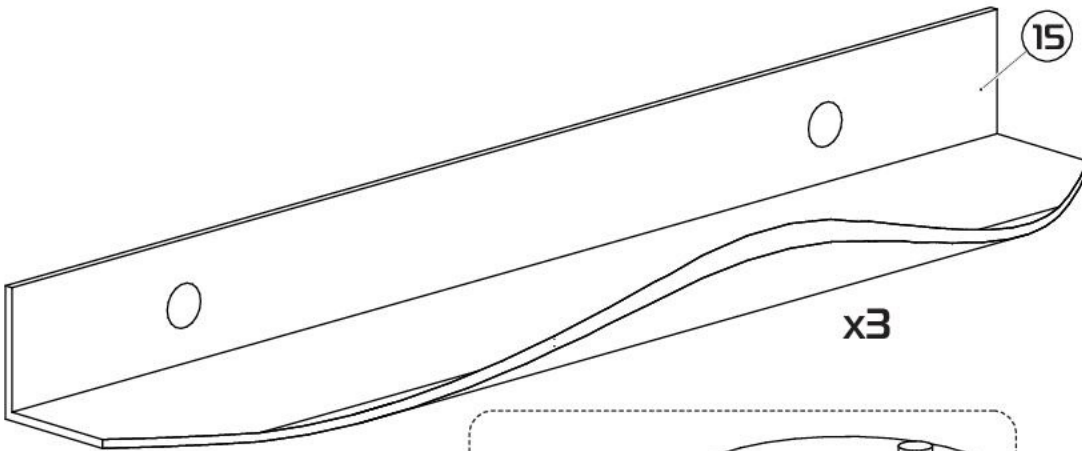
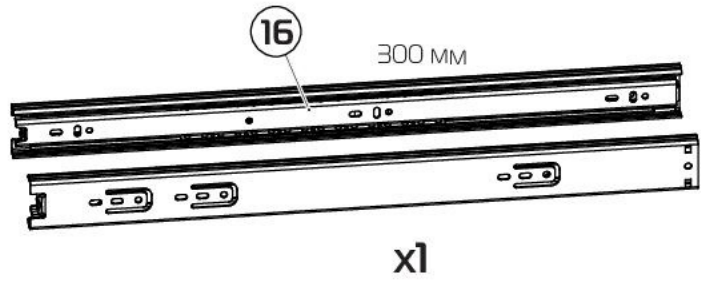
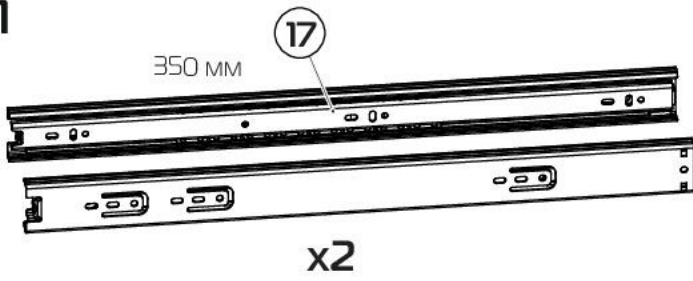
PH2



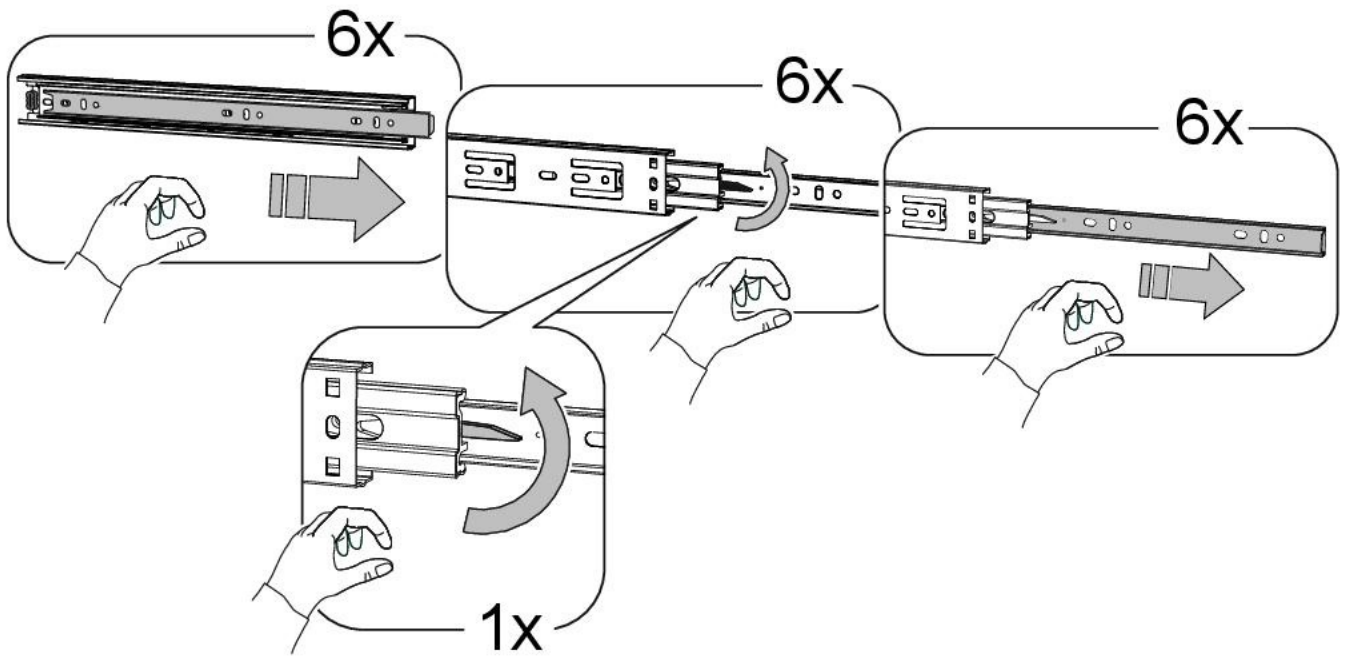


(A)	692071.000	240x497x20	(x1)	(M)	692030.007	409x146x16	(x2)
(A1)	692051.000	240x497x20	(x1)	(MI)	692030.008	443x180x16	(x2)
(B)	692070.001	467x397x16	(x1)	(O)	692050.012	300x96x16	(x1)
(B1)	692070.002	501x400x16	(x1)	(OI)	692050.013	300x96x16	(x1)
(C)	692070.003	470x400x16	(x1)	(P)	692050.014	809x82x16	(x1)
(C1)	692070.004	470x400x16	(x1)	(PI)	692070.012	901x646x16	(x1)
(D)	692070.005	867x347x16	(x1)	(T)	692070.013	501x418x10	(x1)
(DI)	692070.006	901x350x16	(x1)	(TI)	692070.014	901x370x10	(x1)
(E)	692070.007	123x350x16	(x1)	(X)	692070.015	423x342x4	(x2)
(EI)	692070.008	123x350x16	(x1)	(XI)	692050.017	823x303x4	(x1)
(H)	692070.009	132x897x16	(x1)	(Y)	692070.016	461x475x4	(x1)
(K)	692070.010	334x180x16	(x2)	(VI)	692070.017	114x875x4	(x1)
(KI)	692070.011	334x180x16	(x2)				

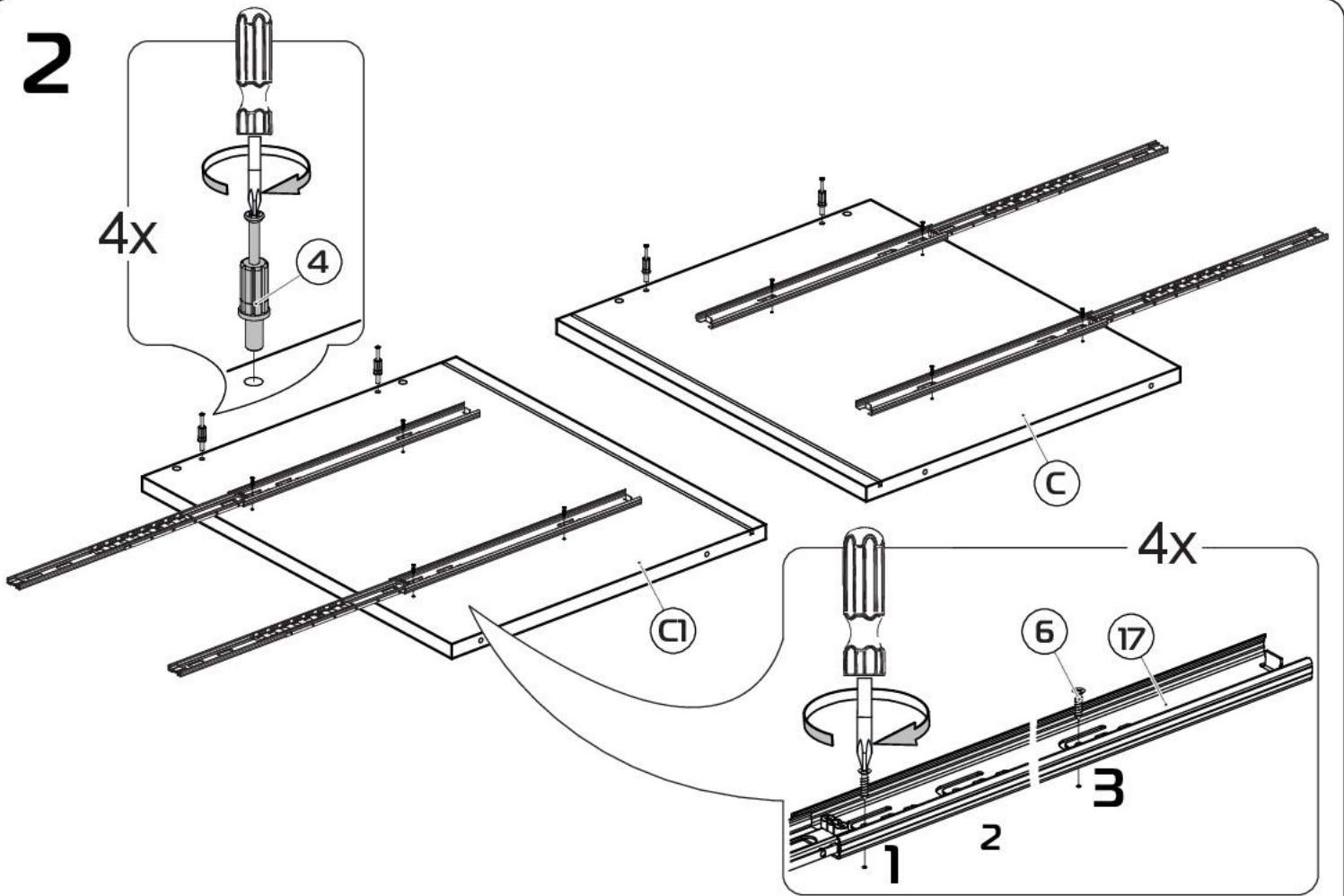
1:1



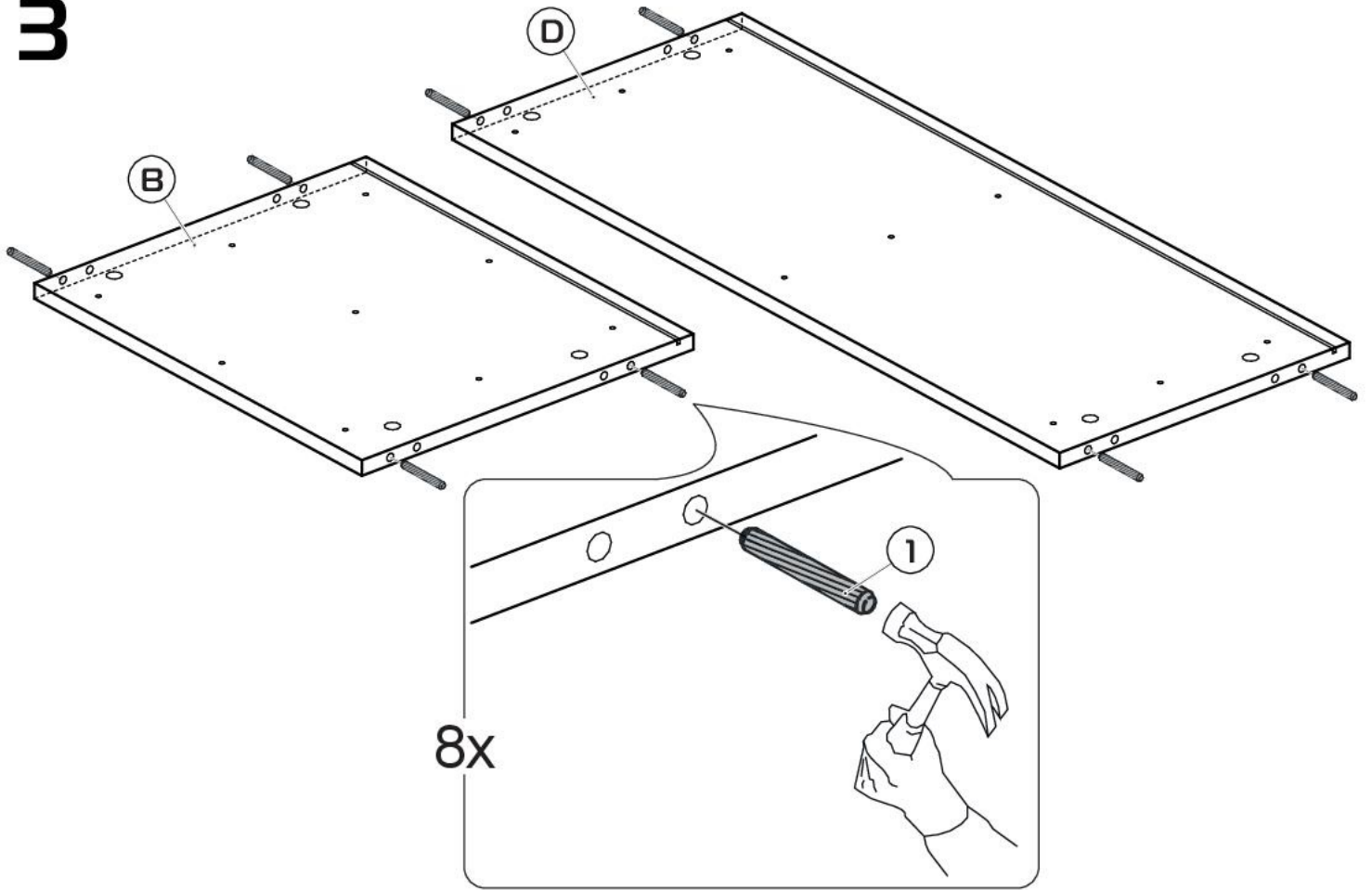
1



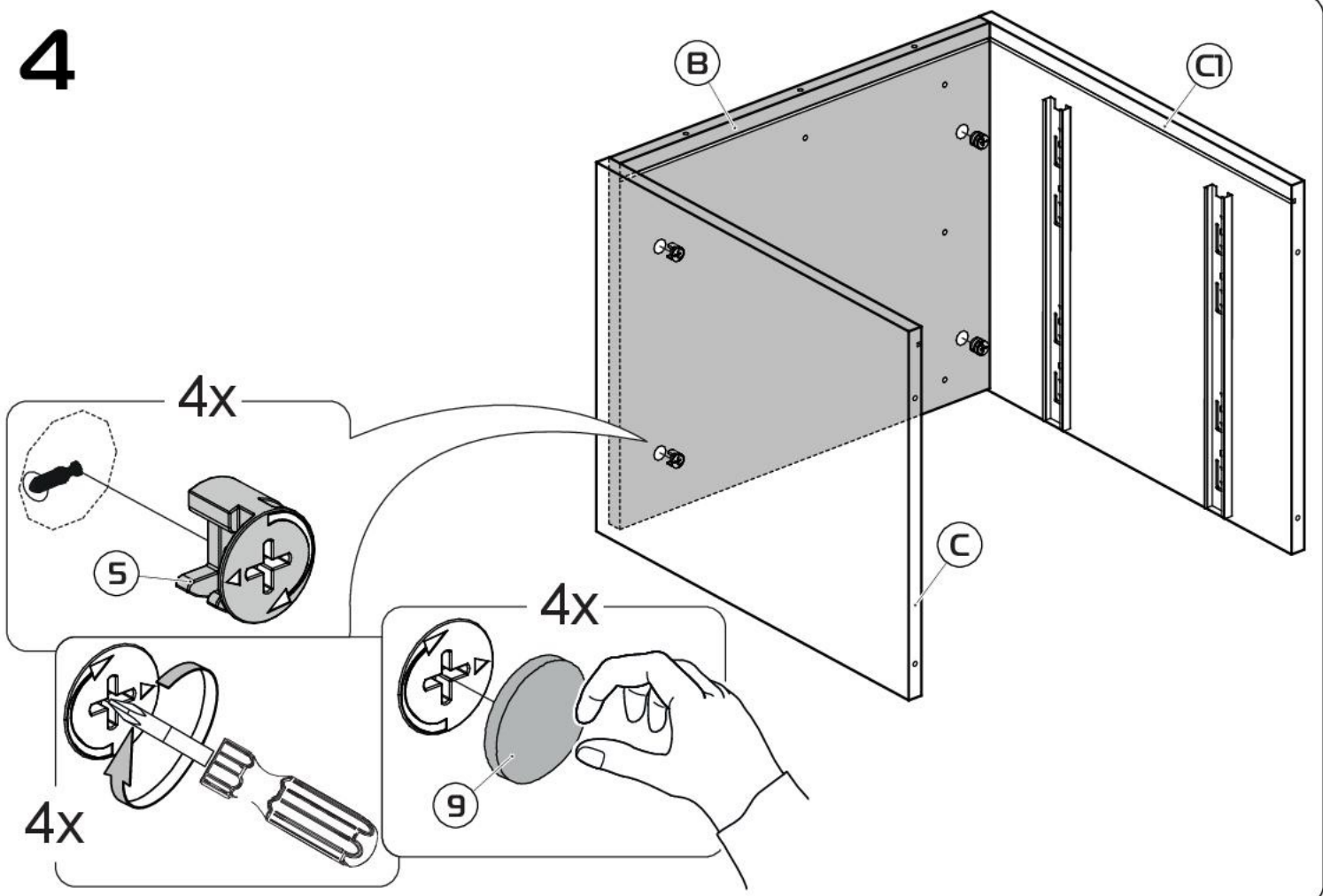
2



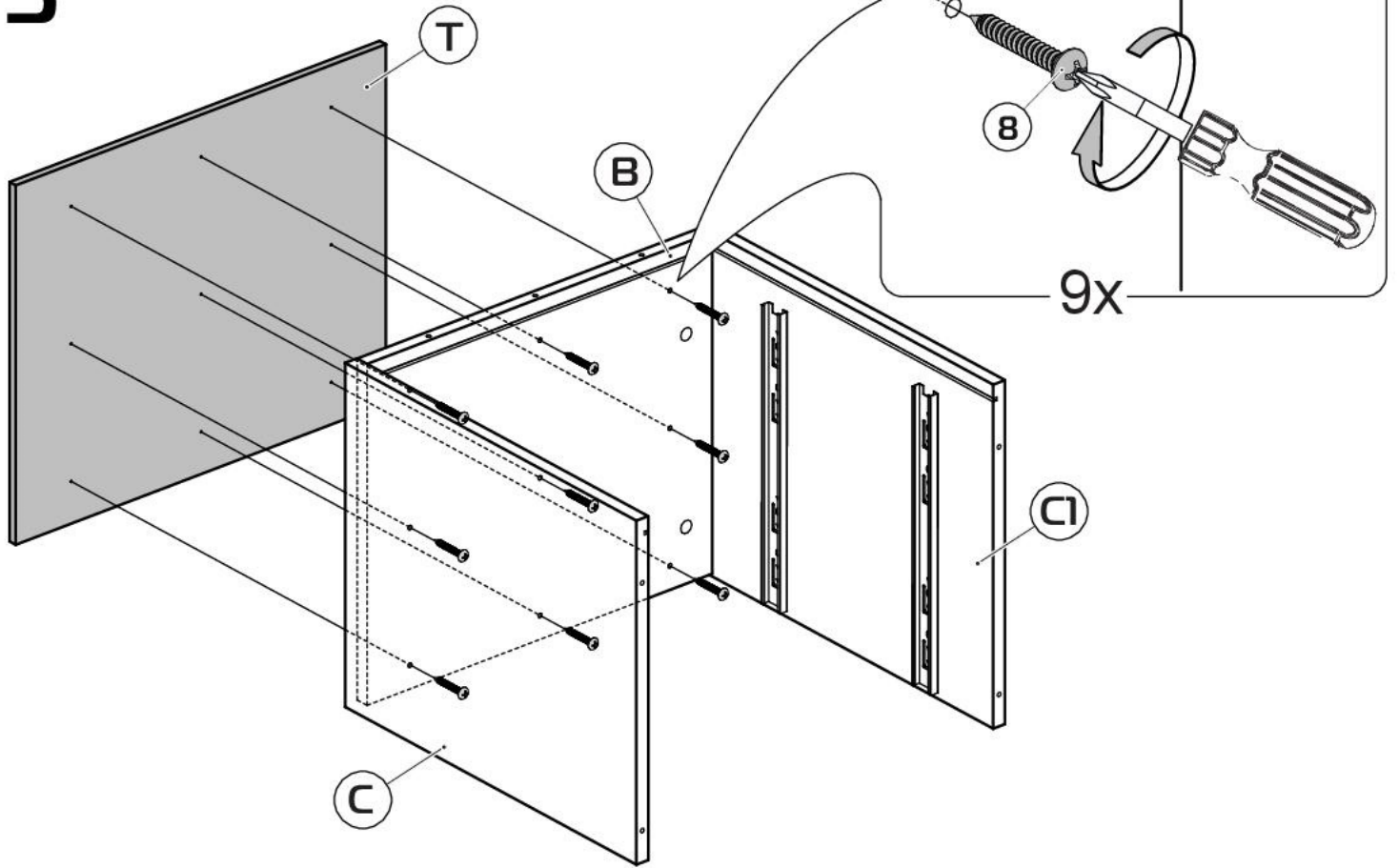
3



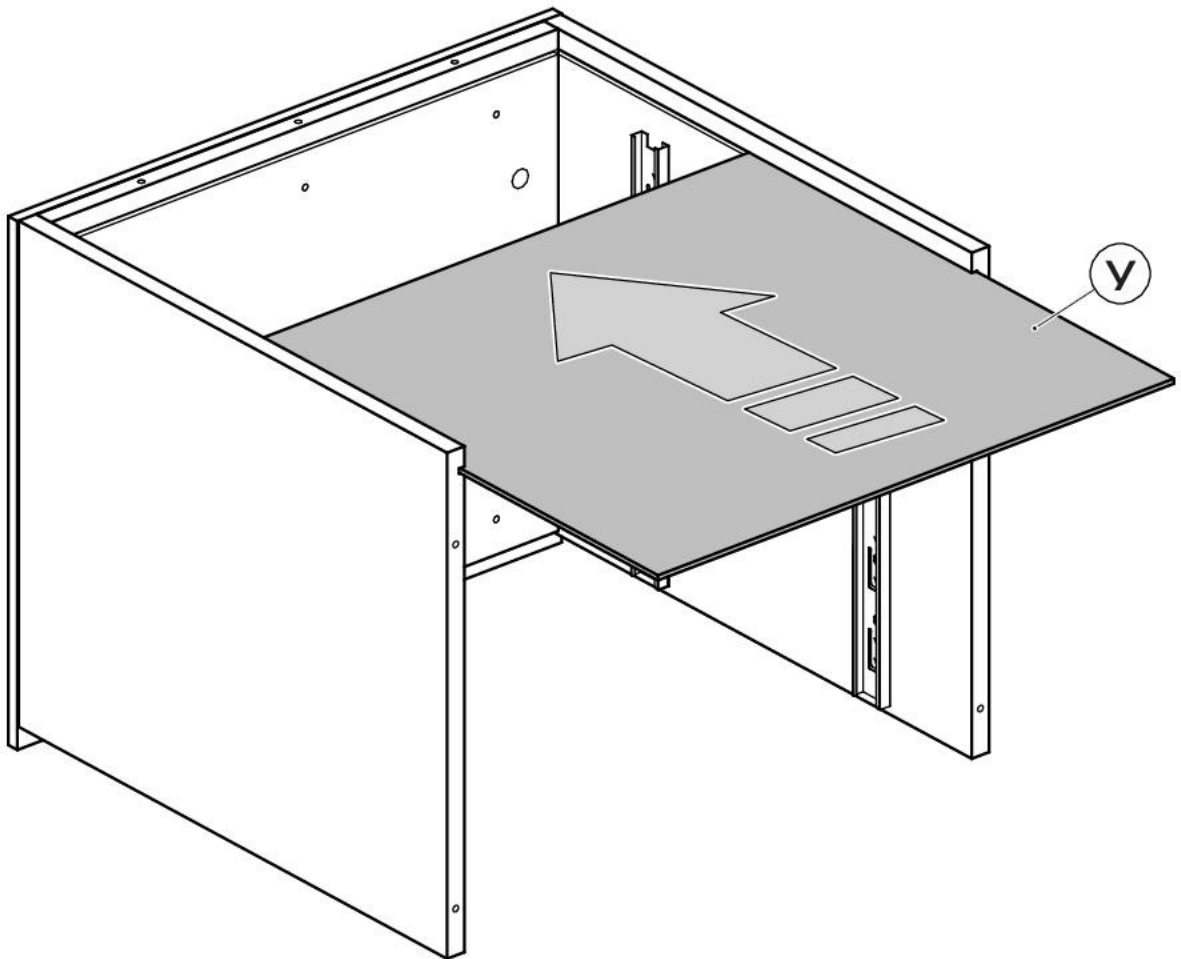
4



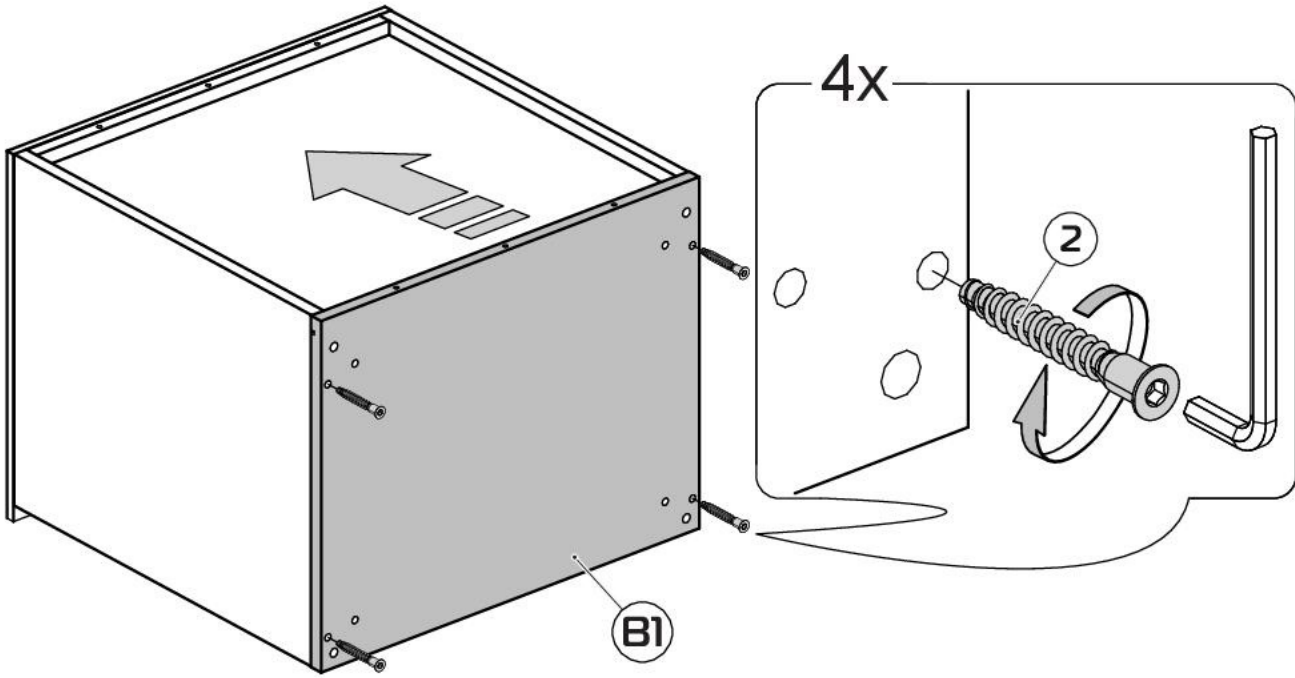
5



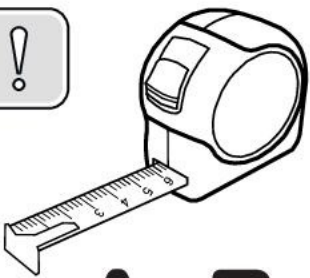
6



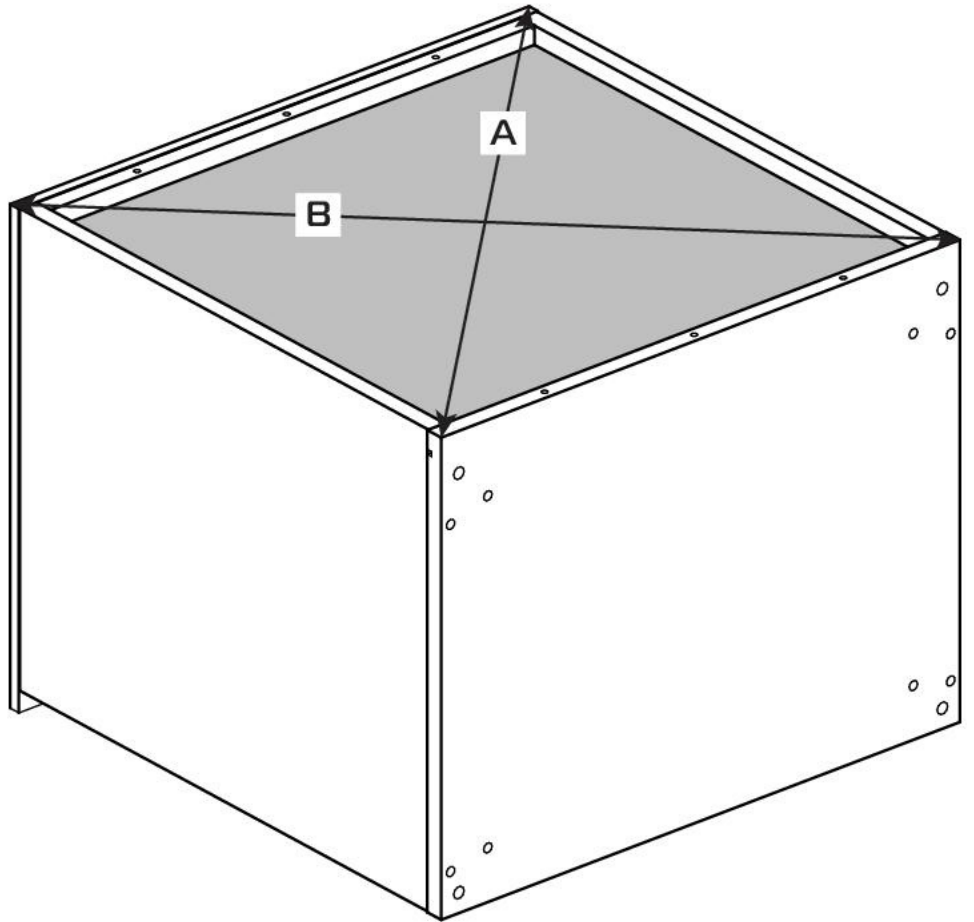
7



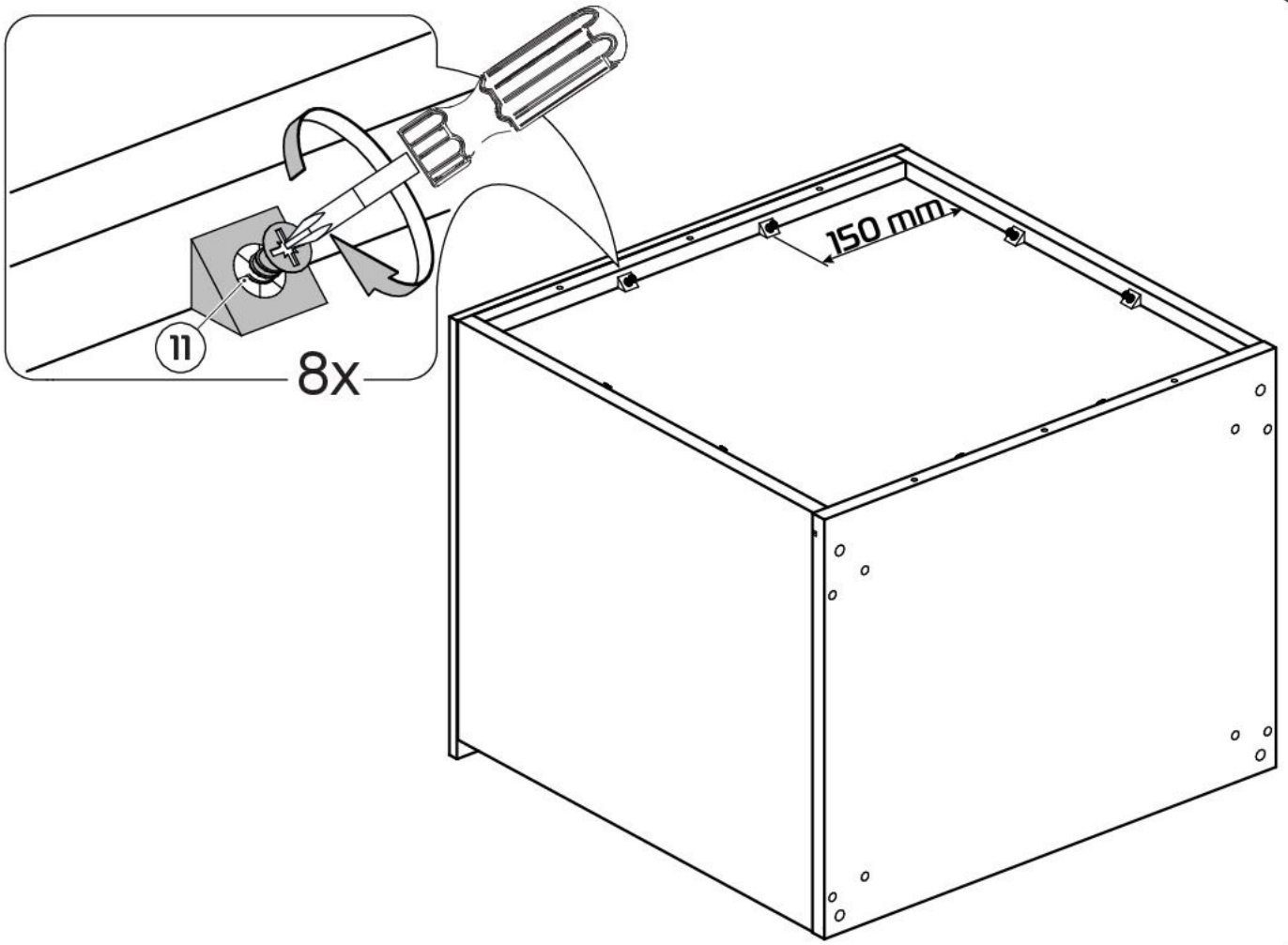
8



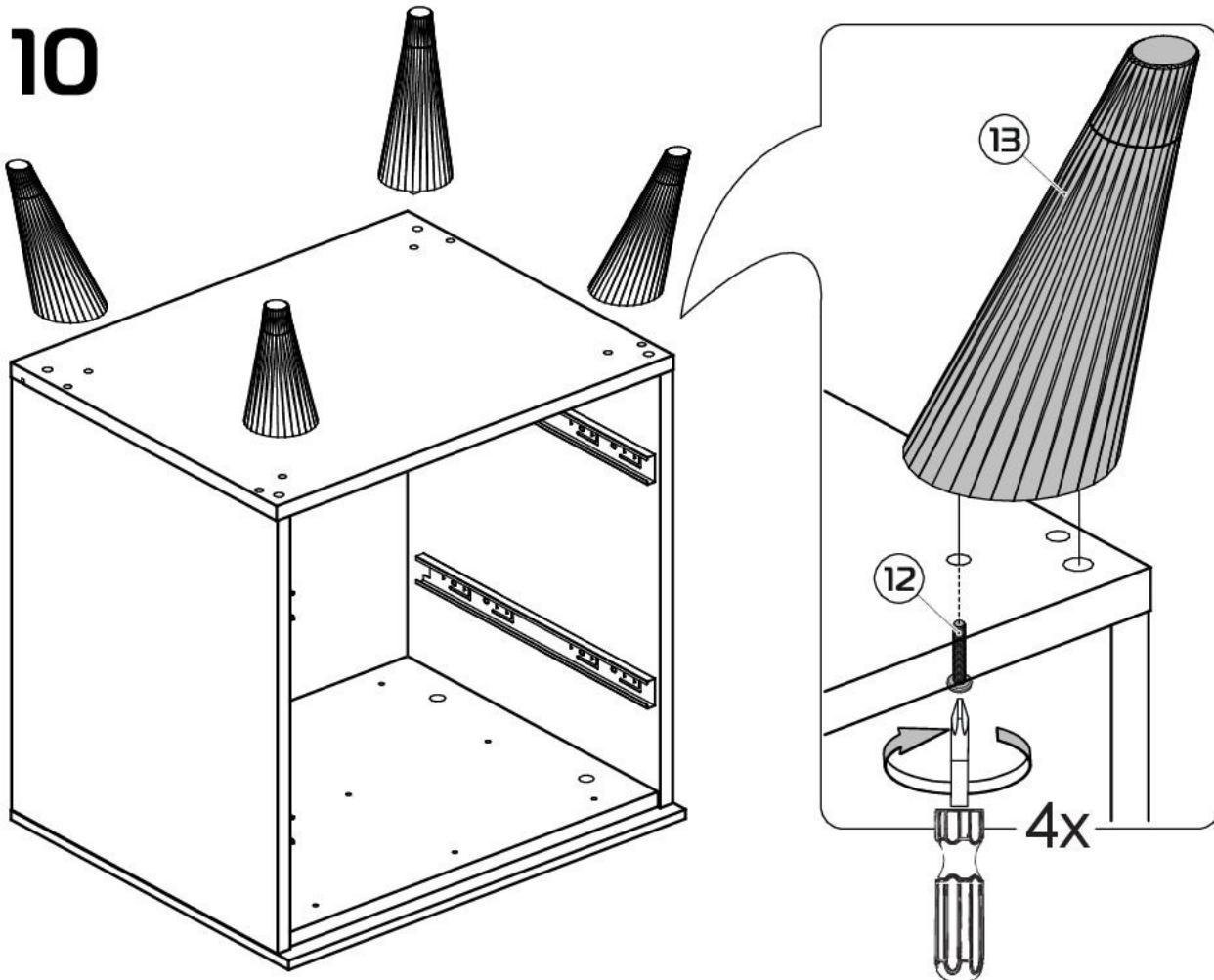
A=B



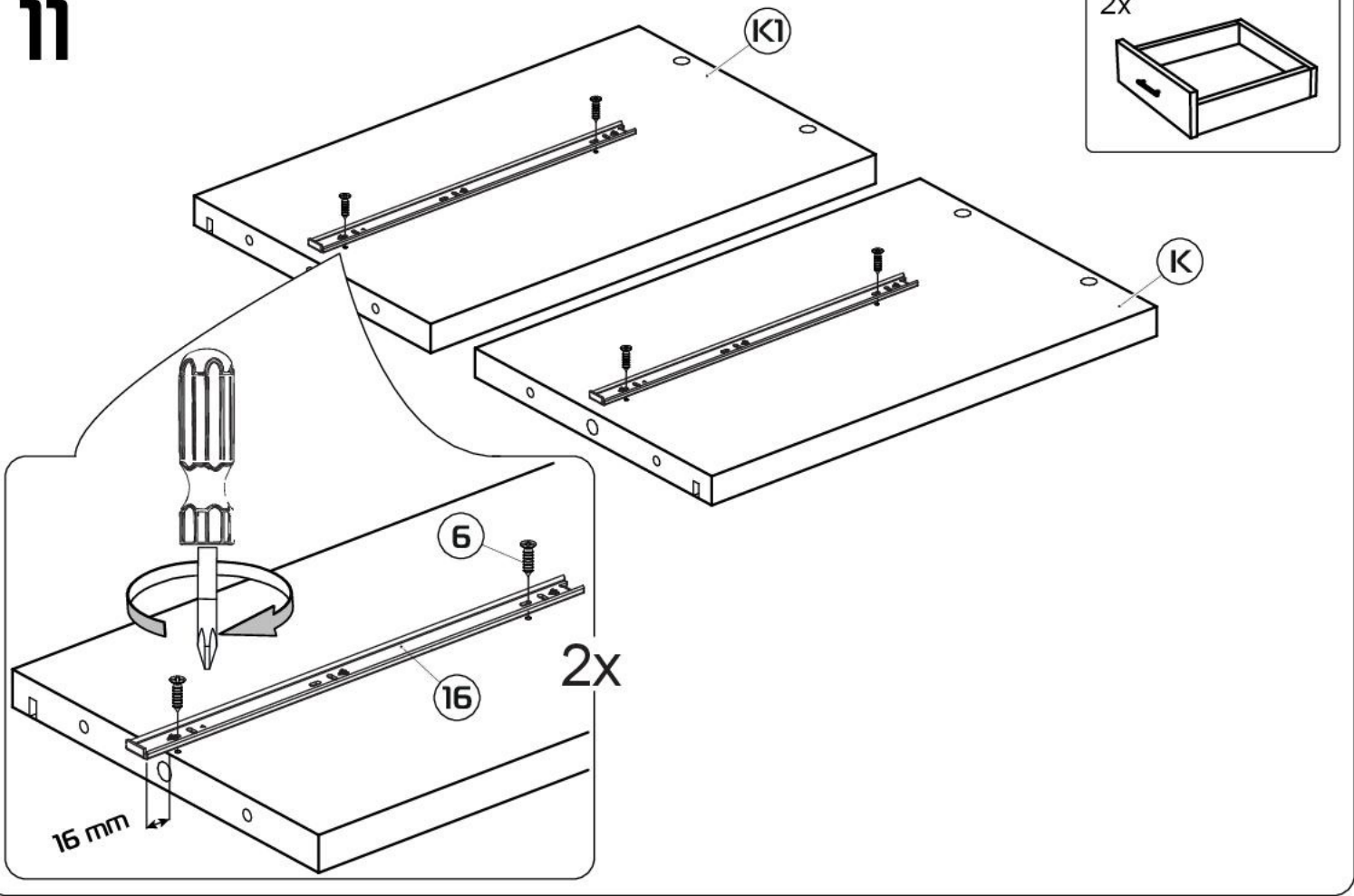
9



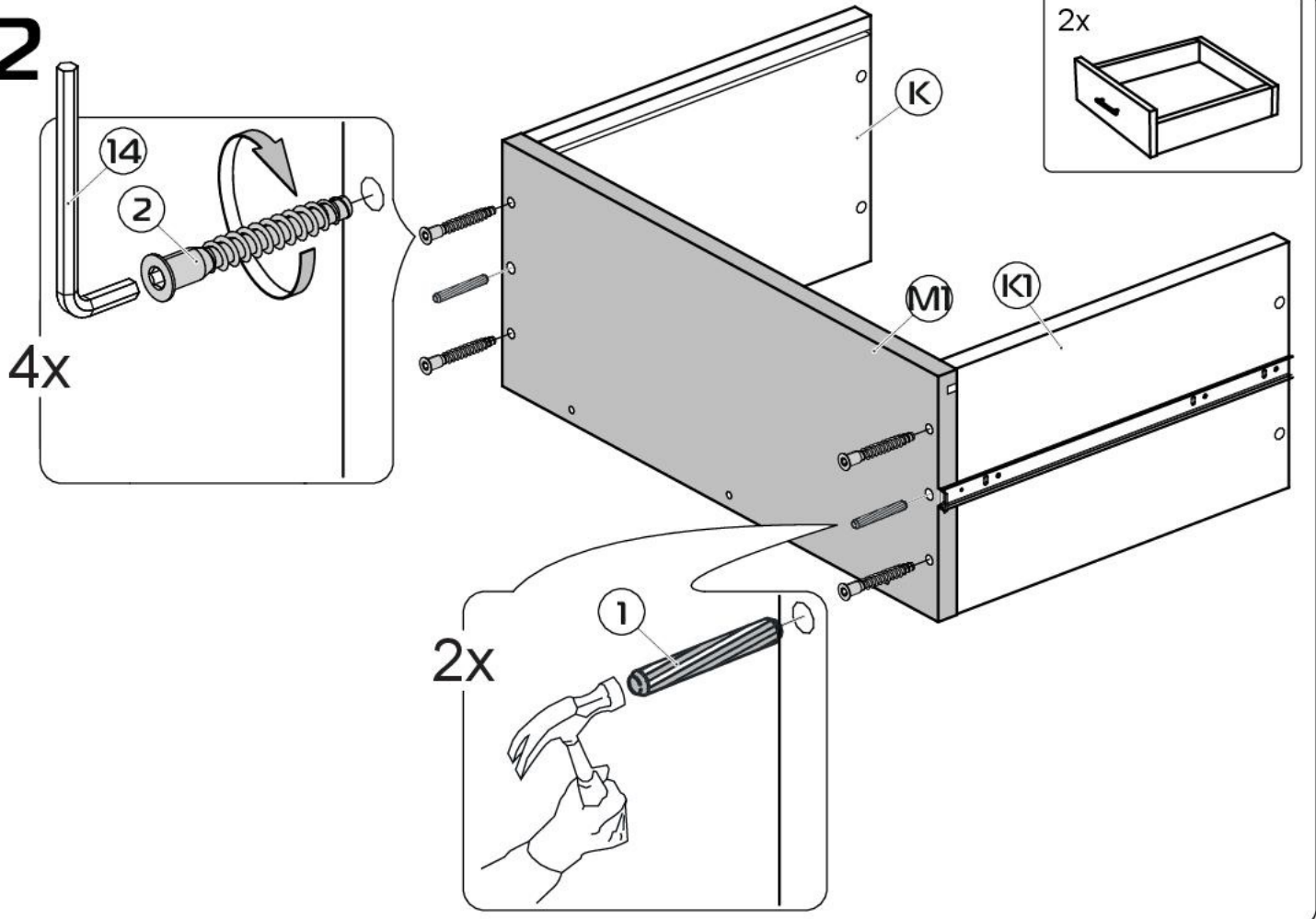
10



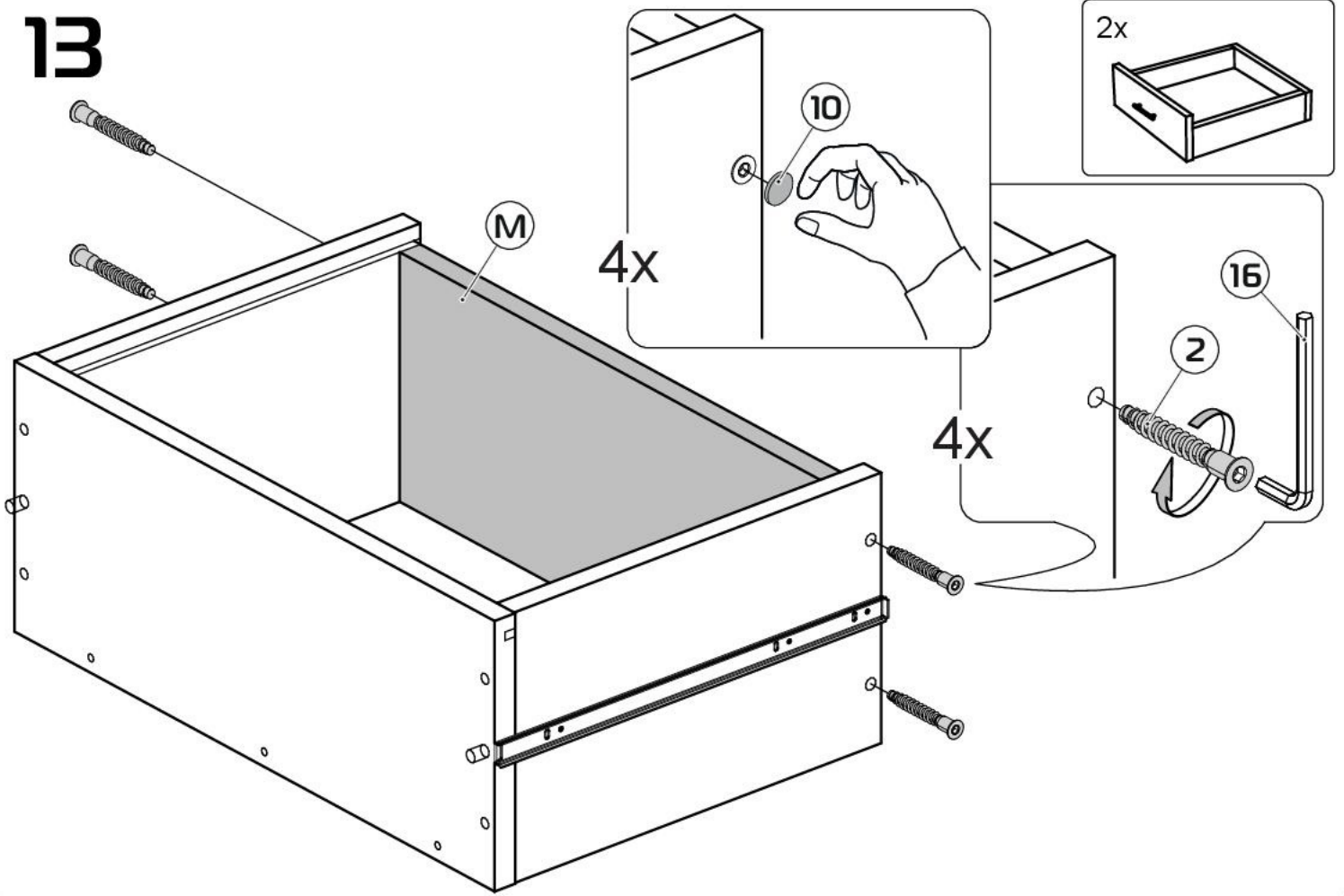
11



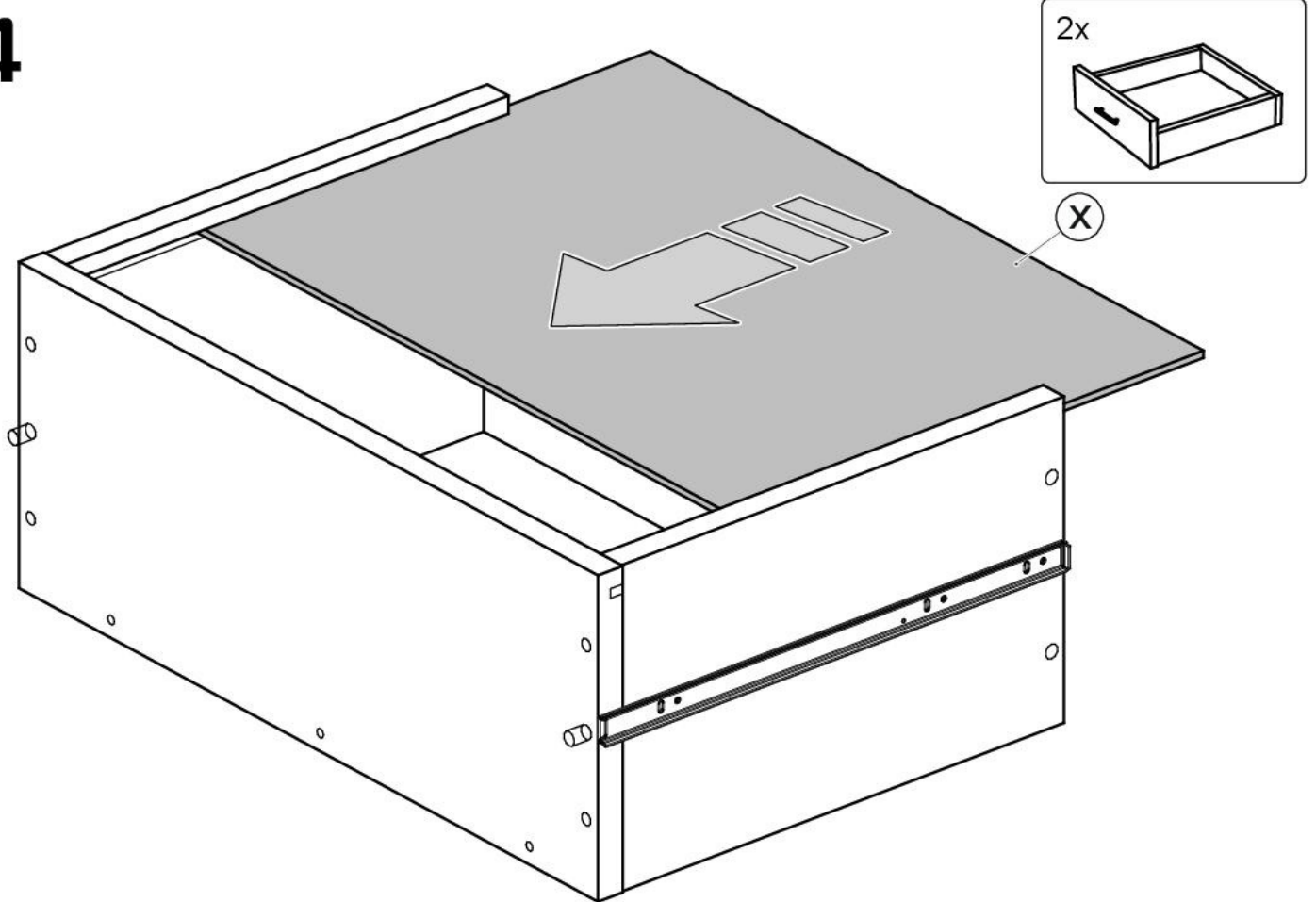
12



13

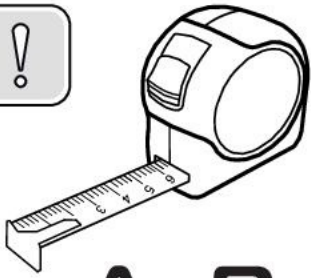
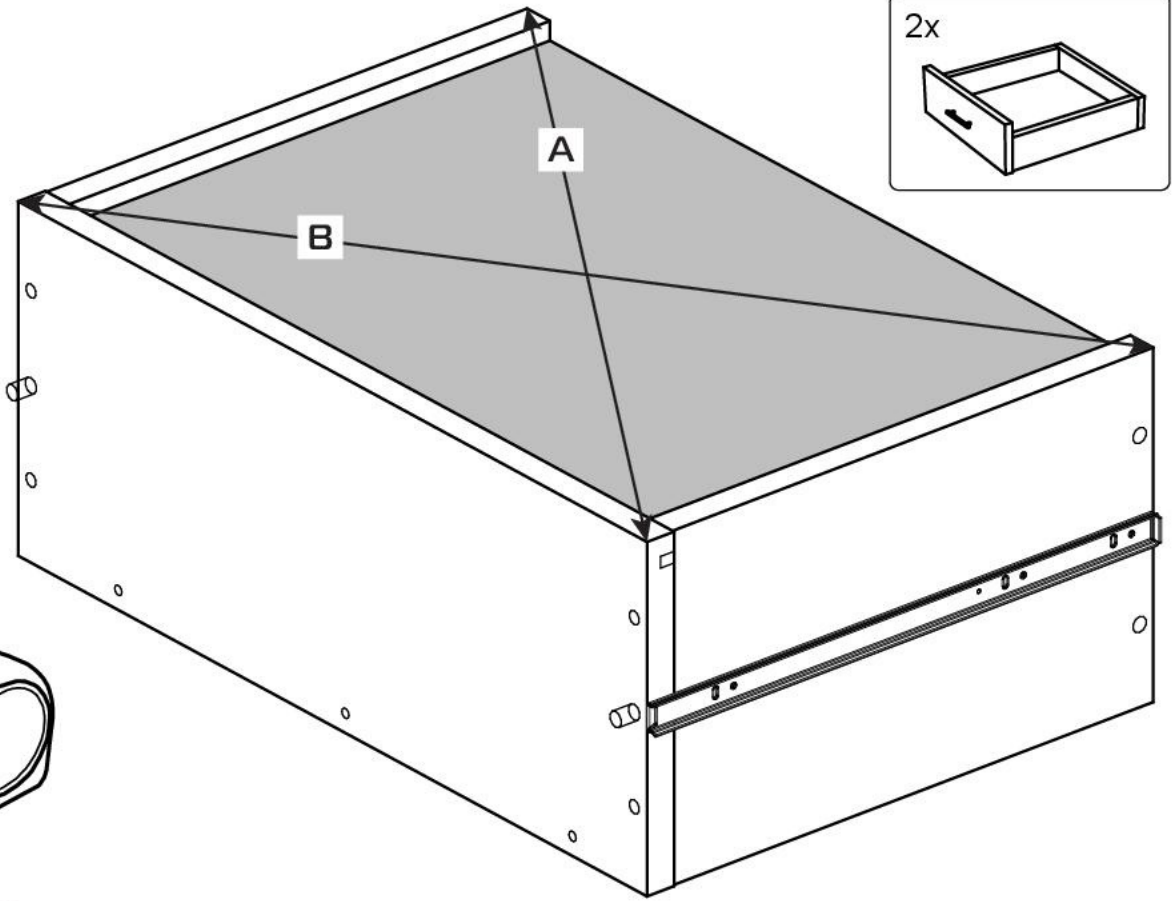
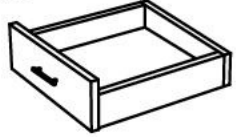


14



15

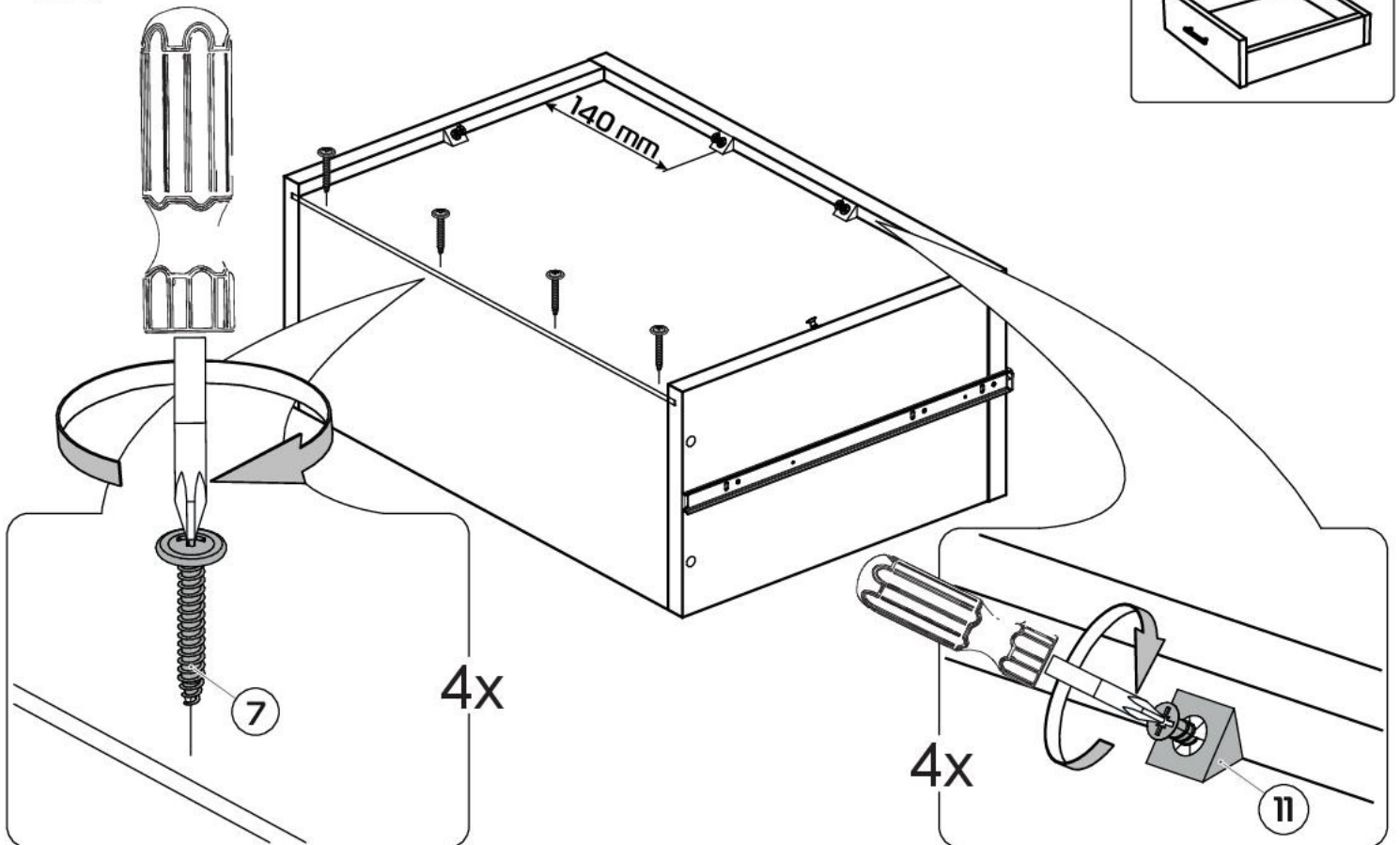
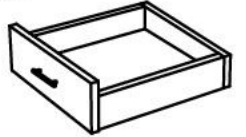
2x



A=B

16

2x



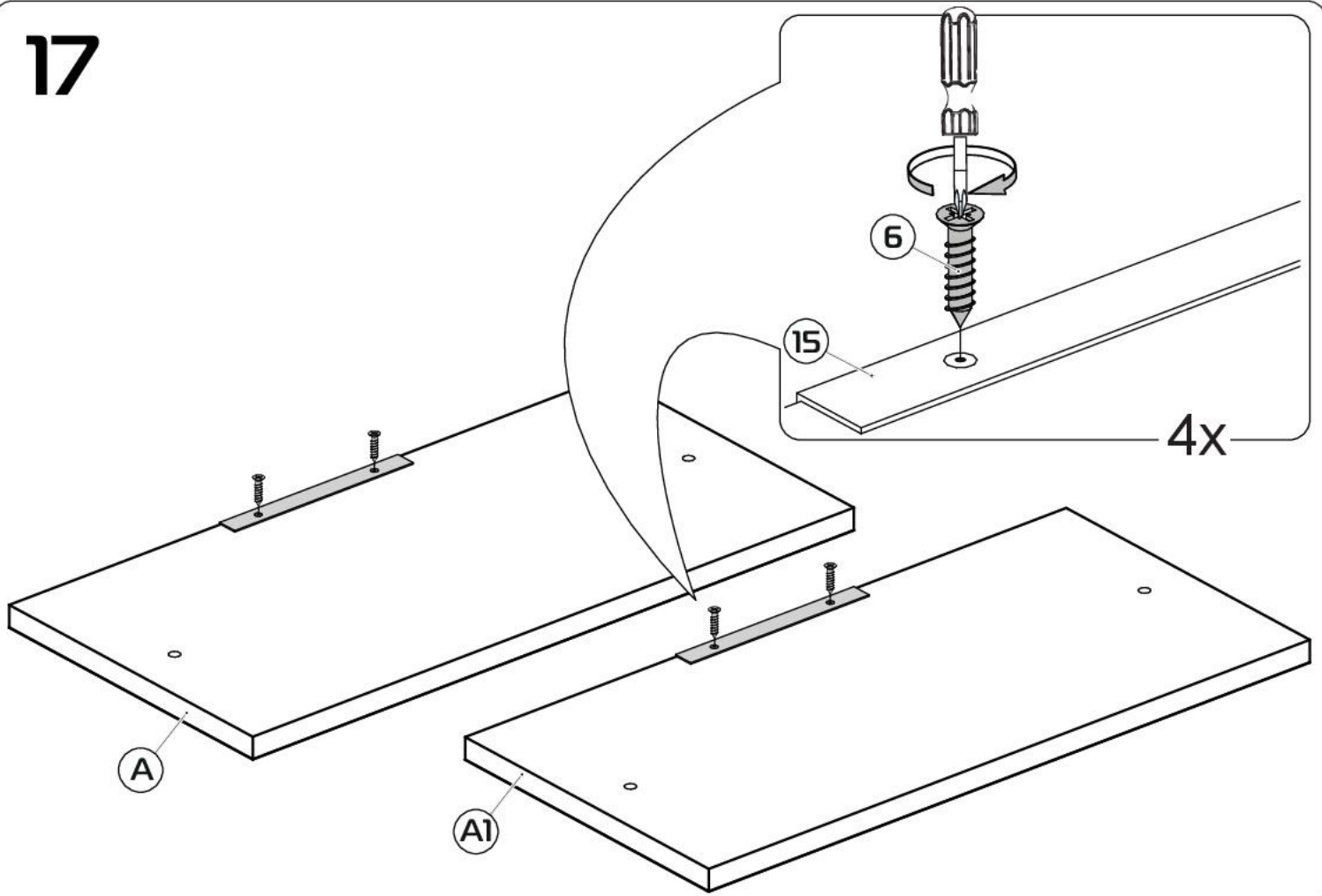
4x

7

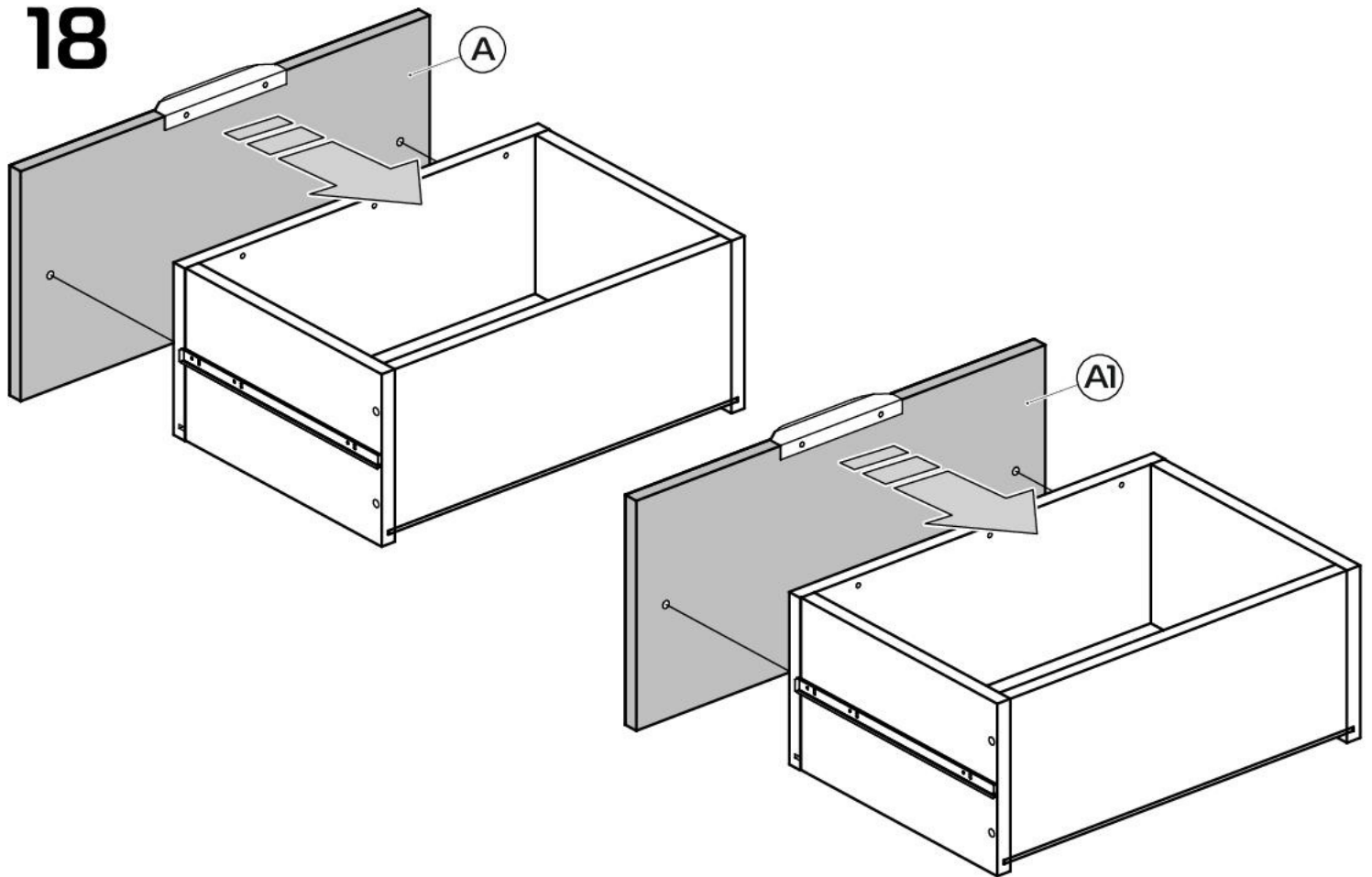
4x

11

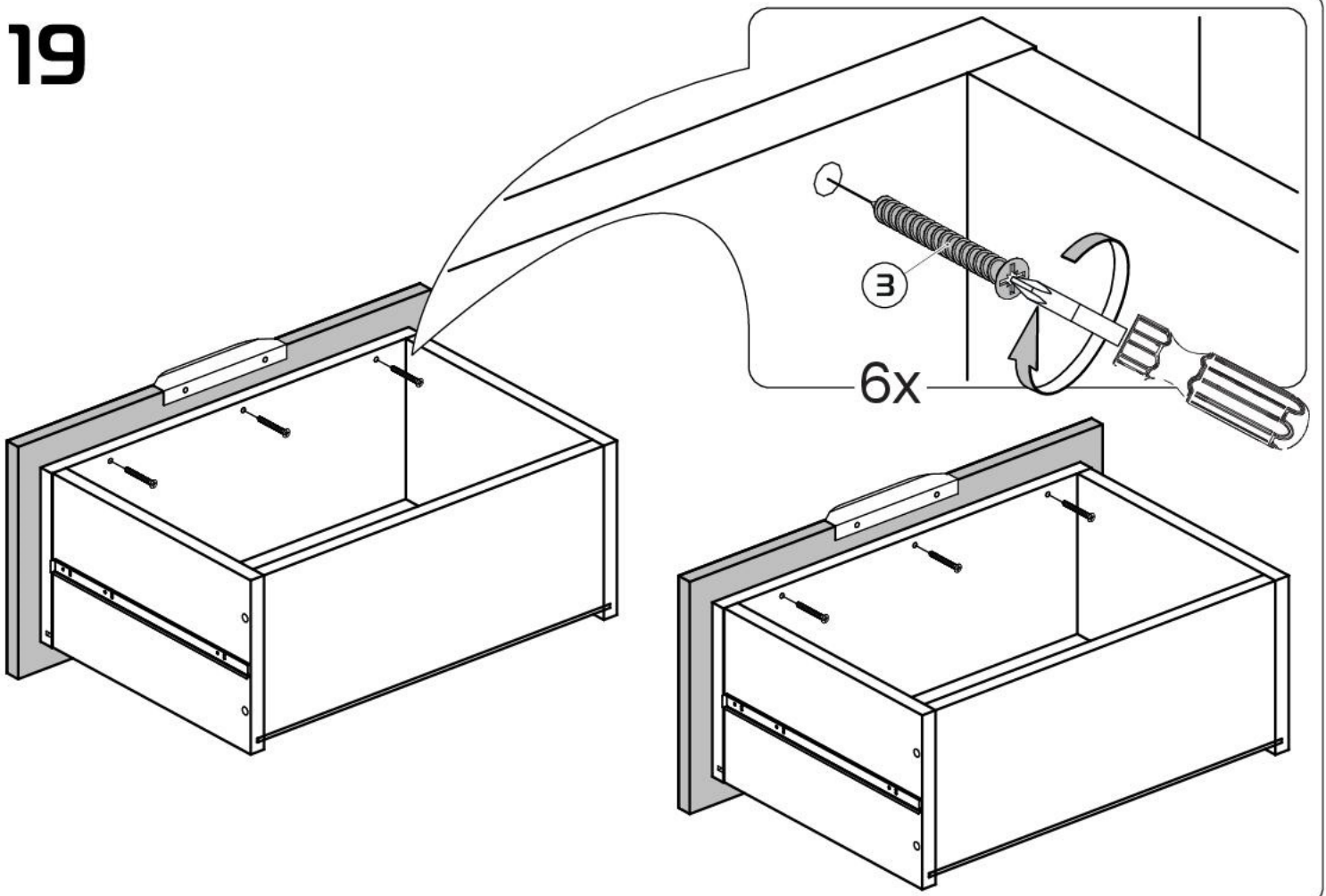
17



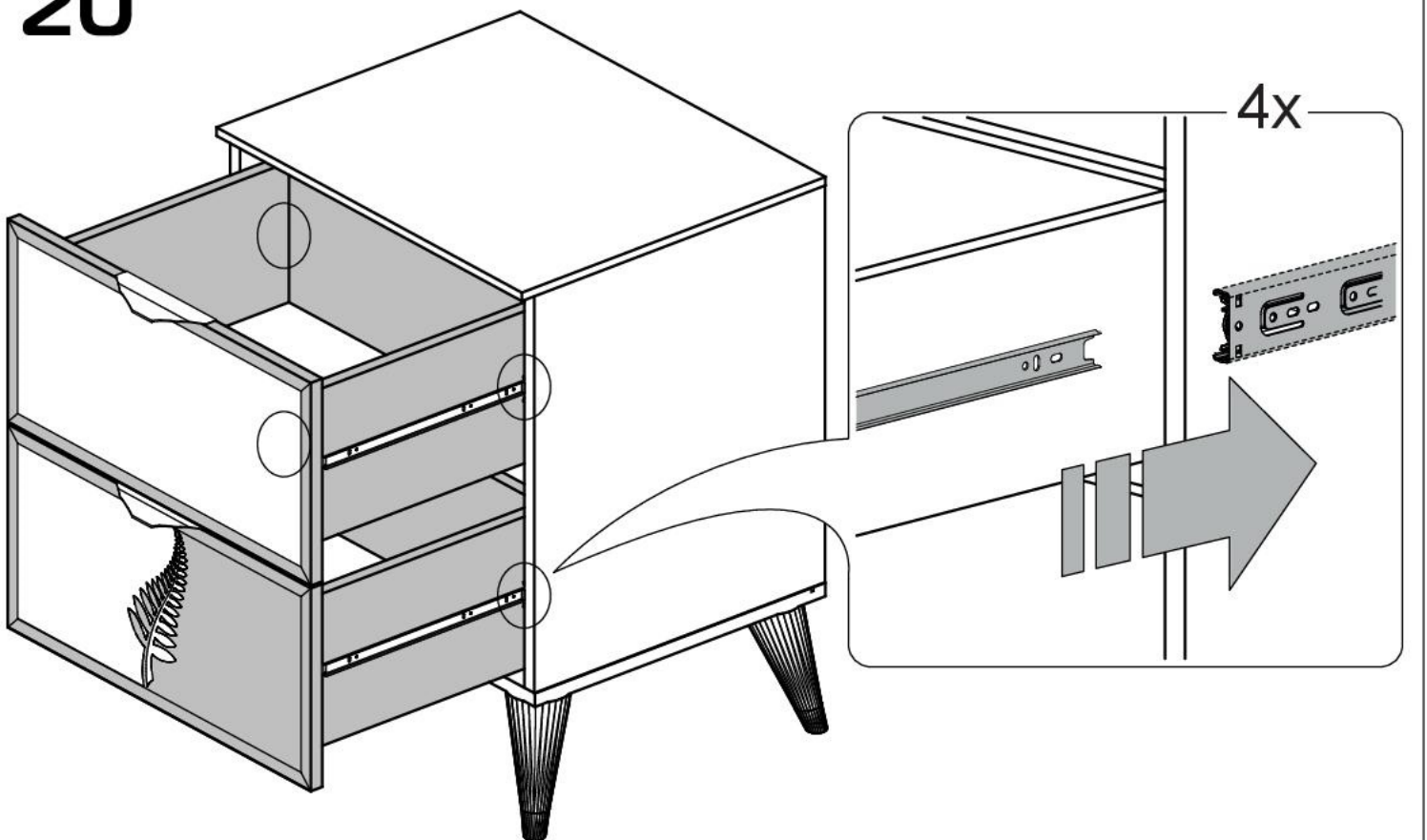
18



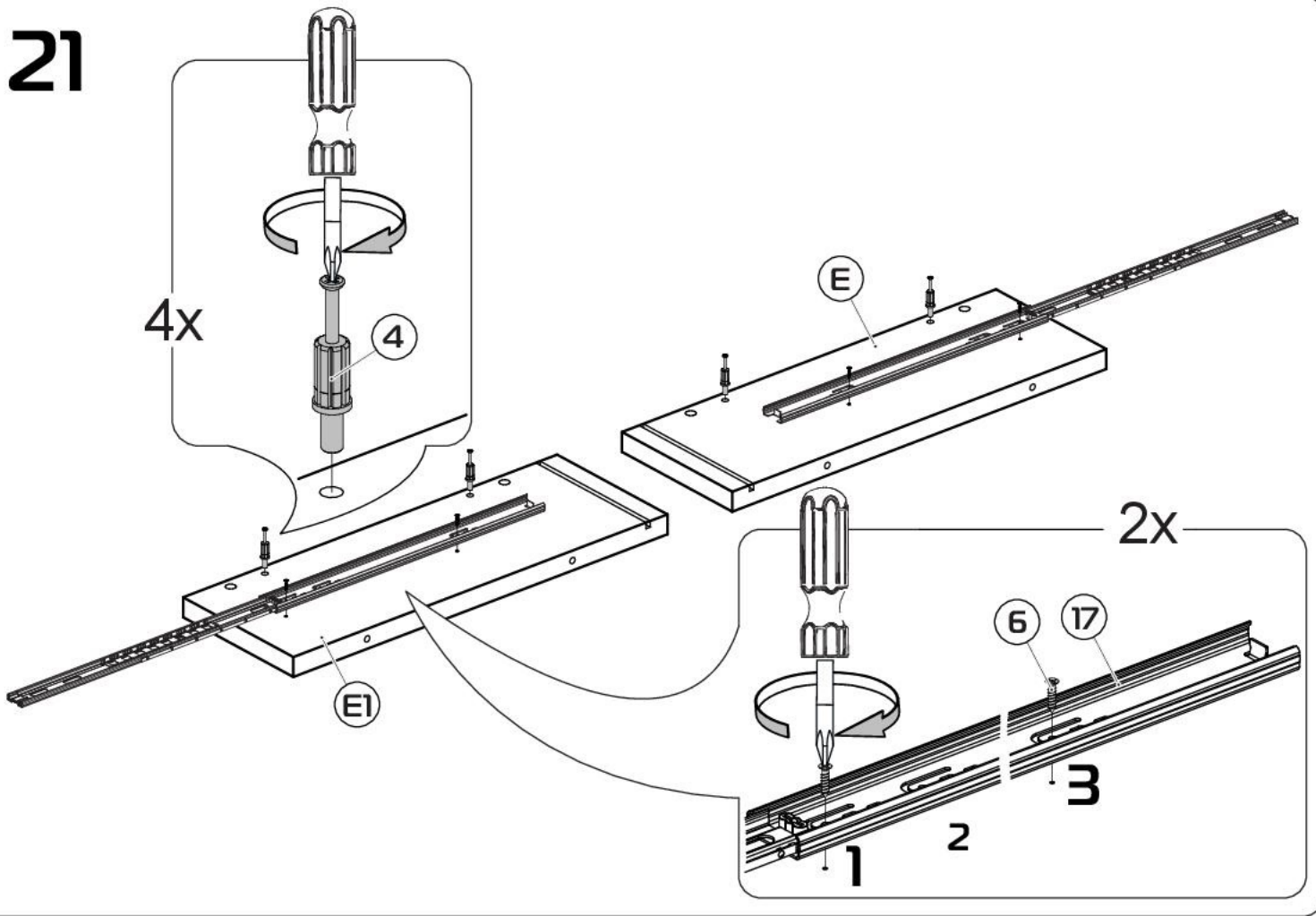
19



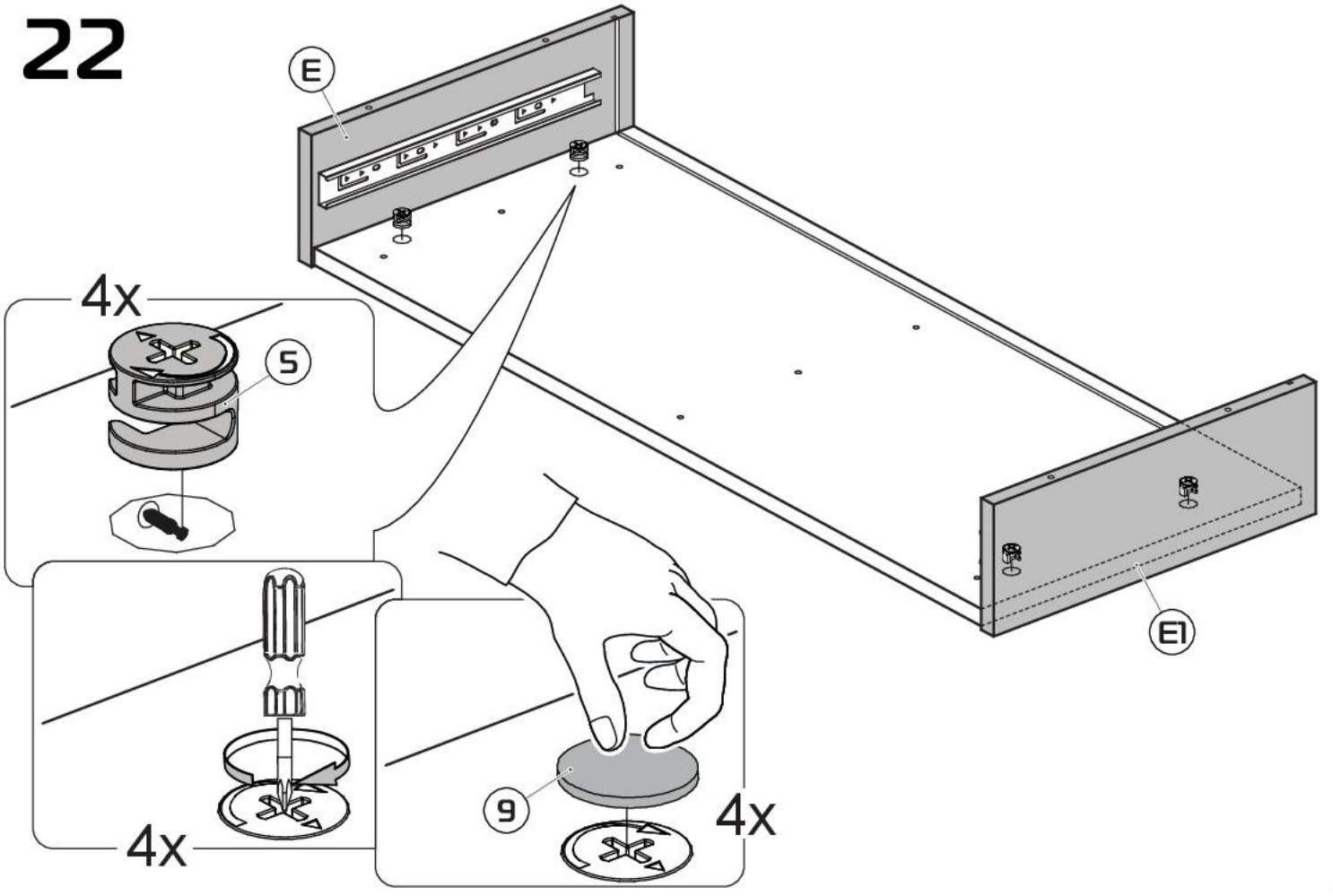
20



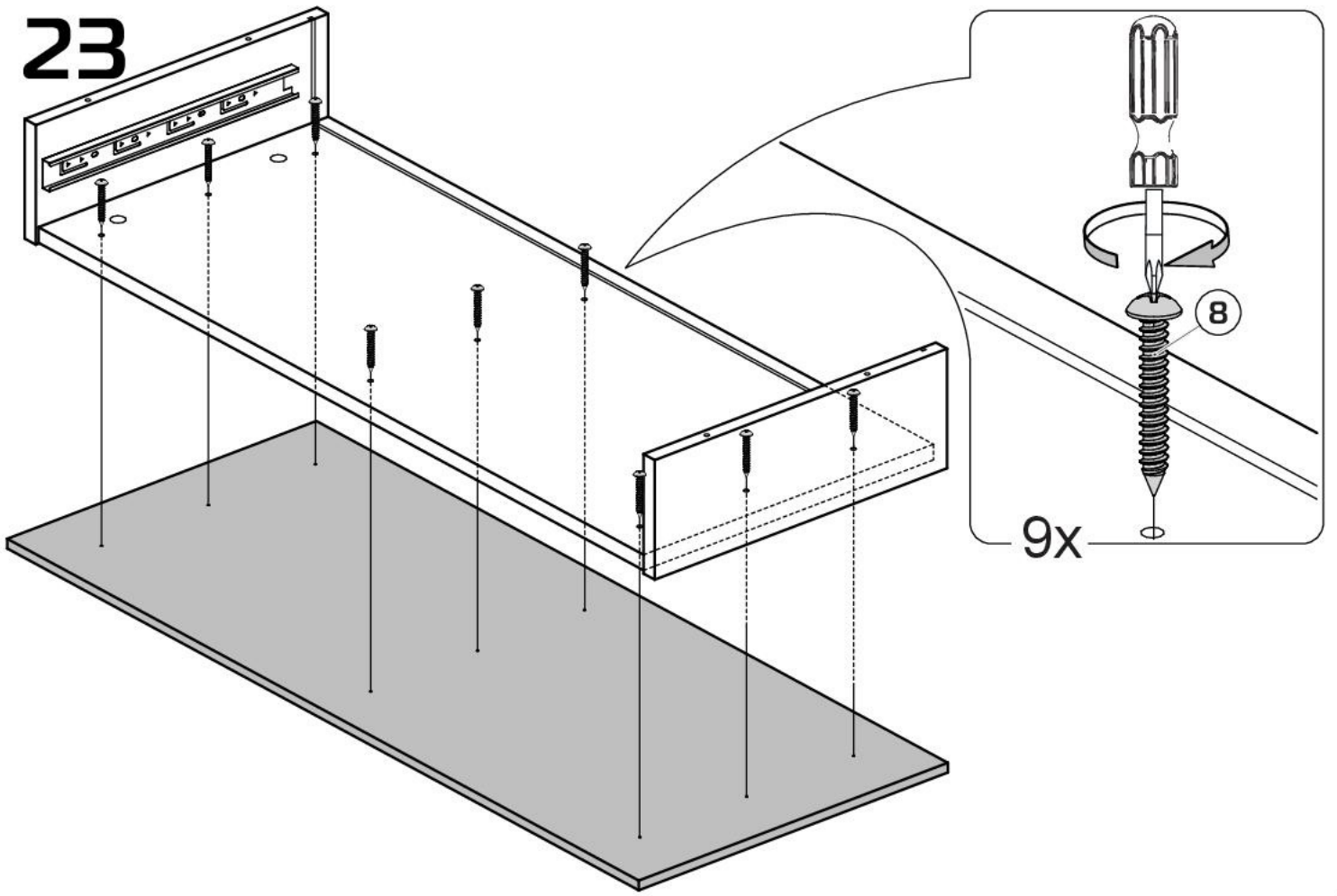
21



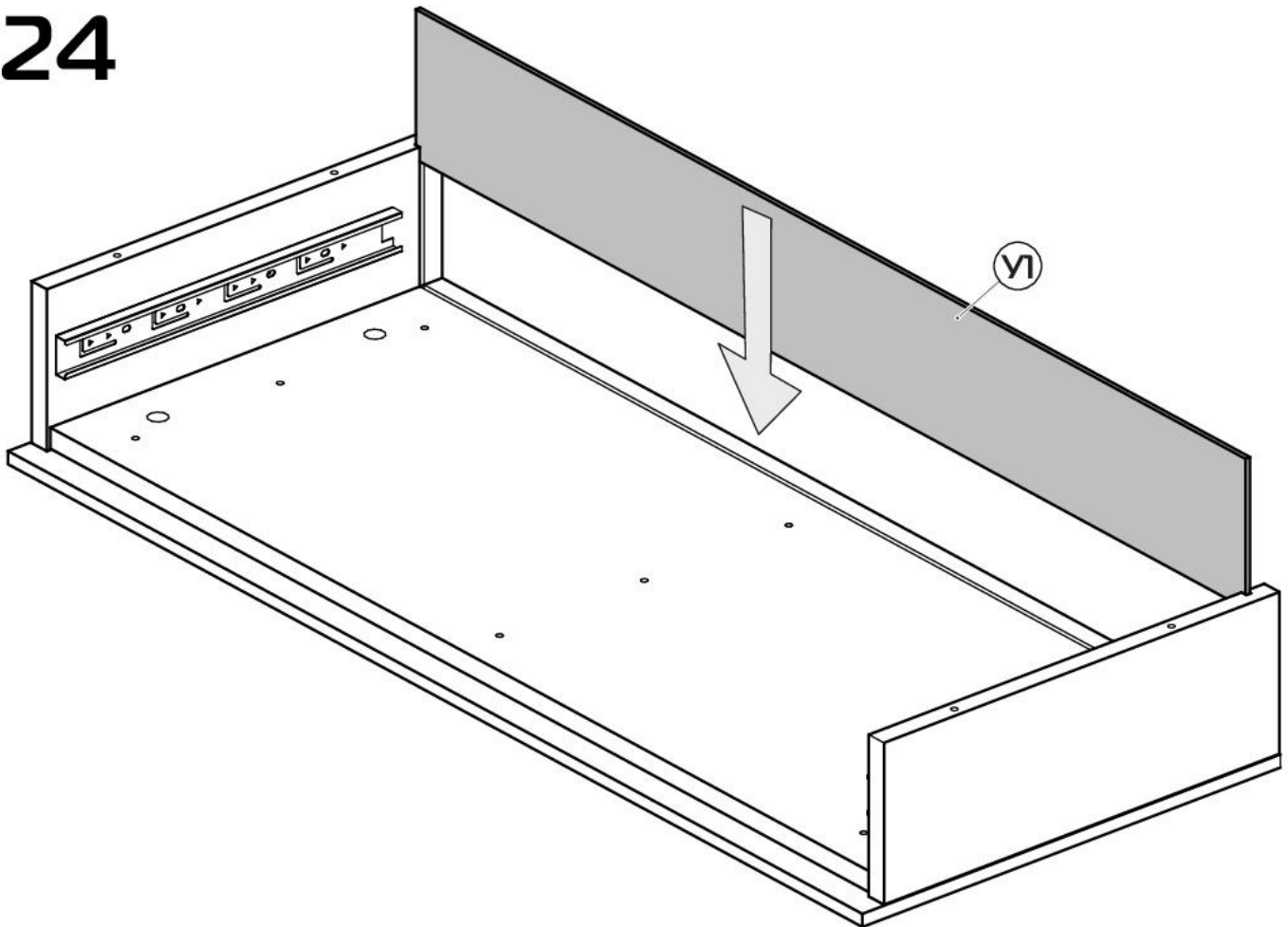
22



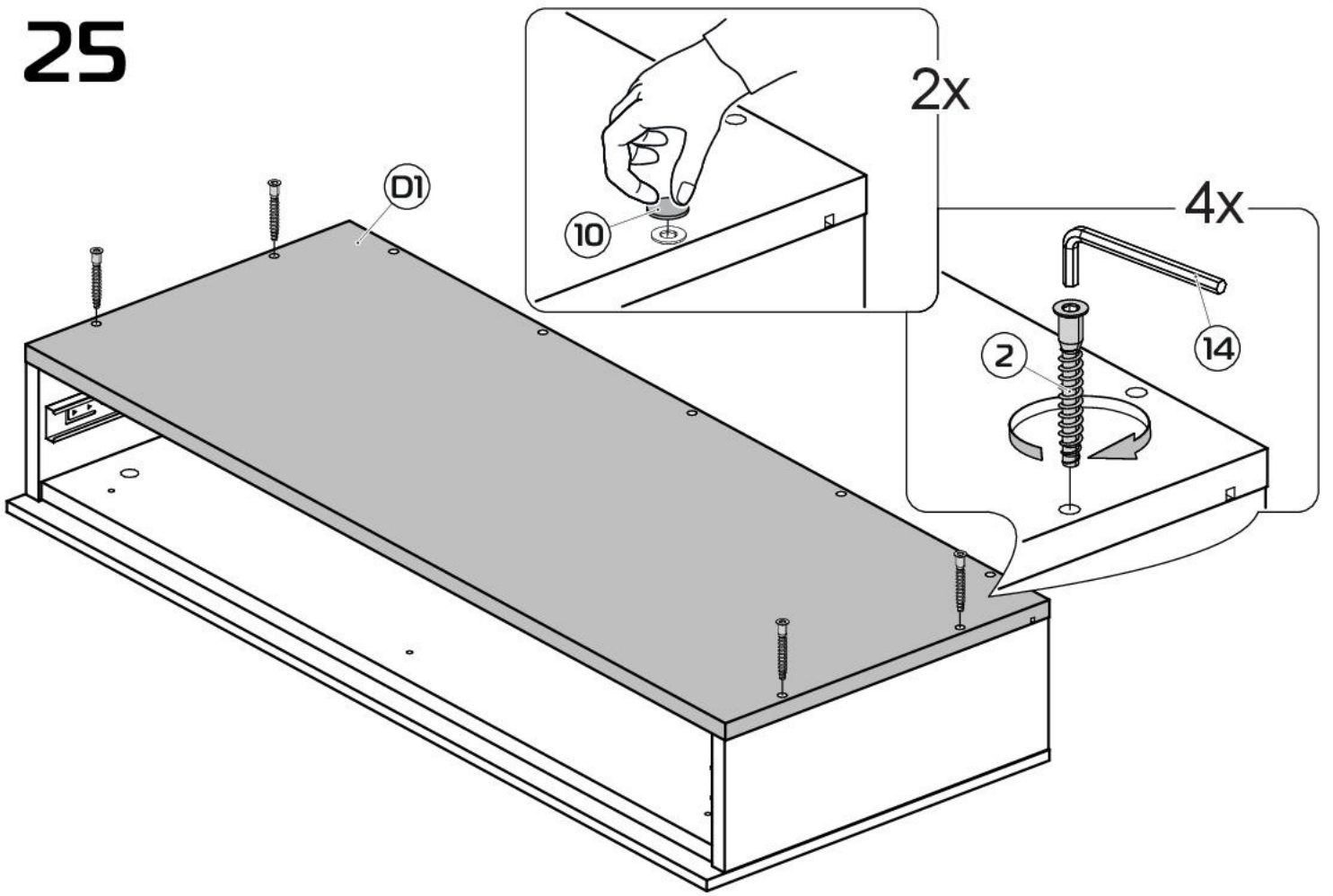
23



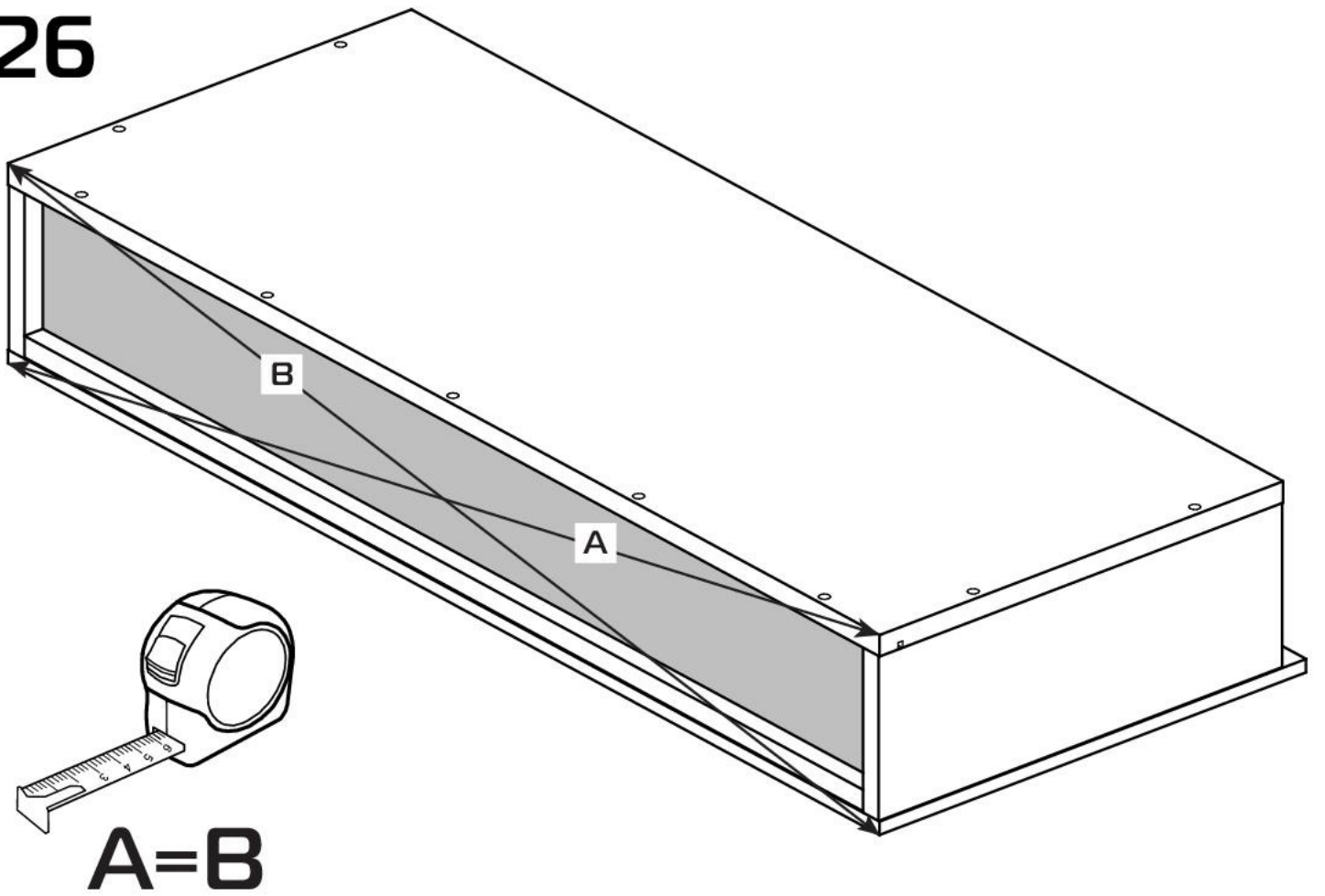
24



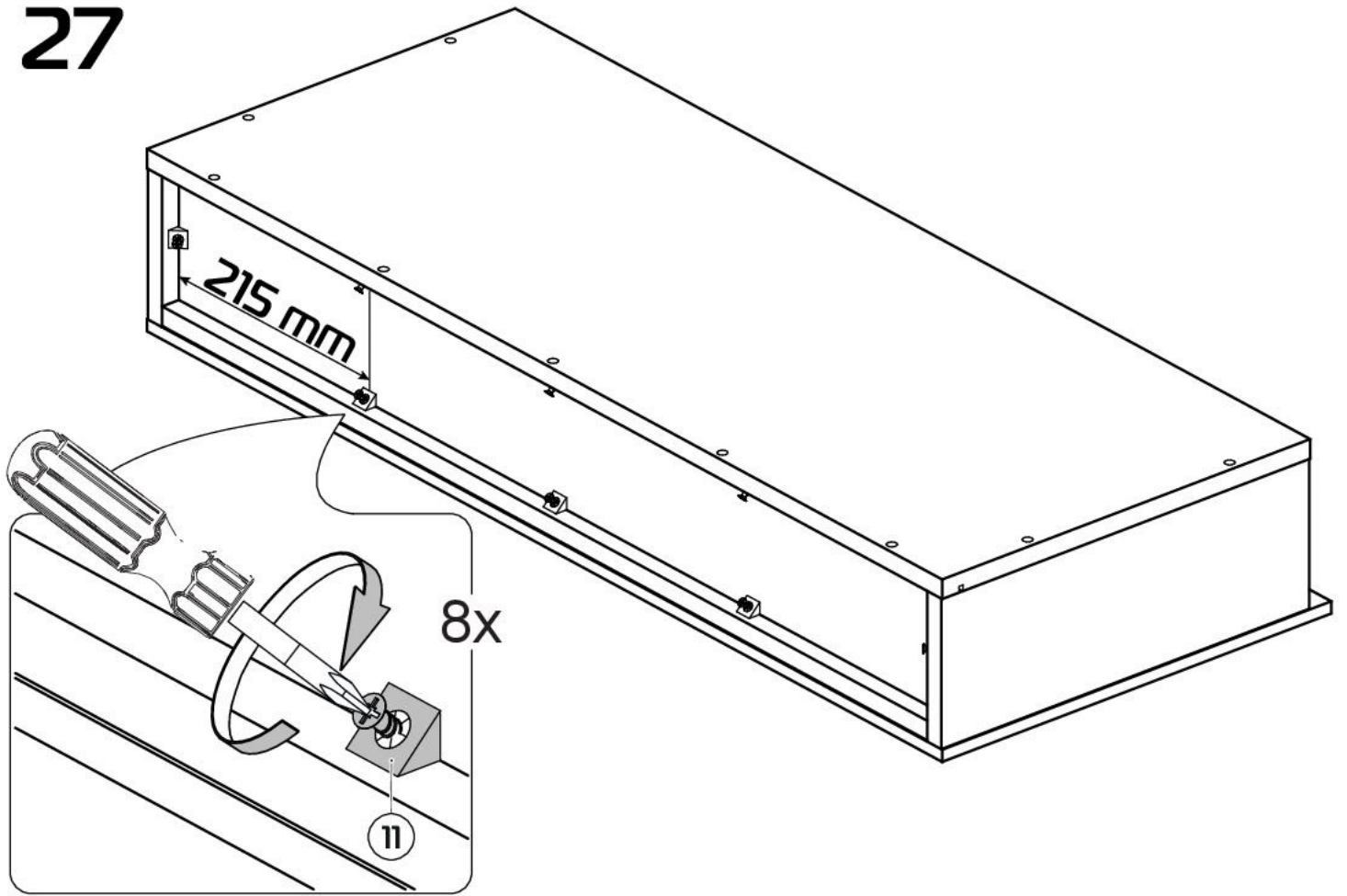
25



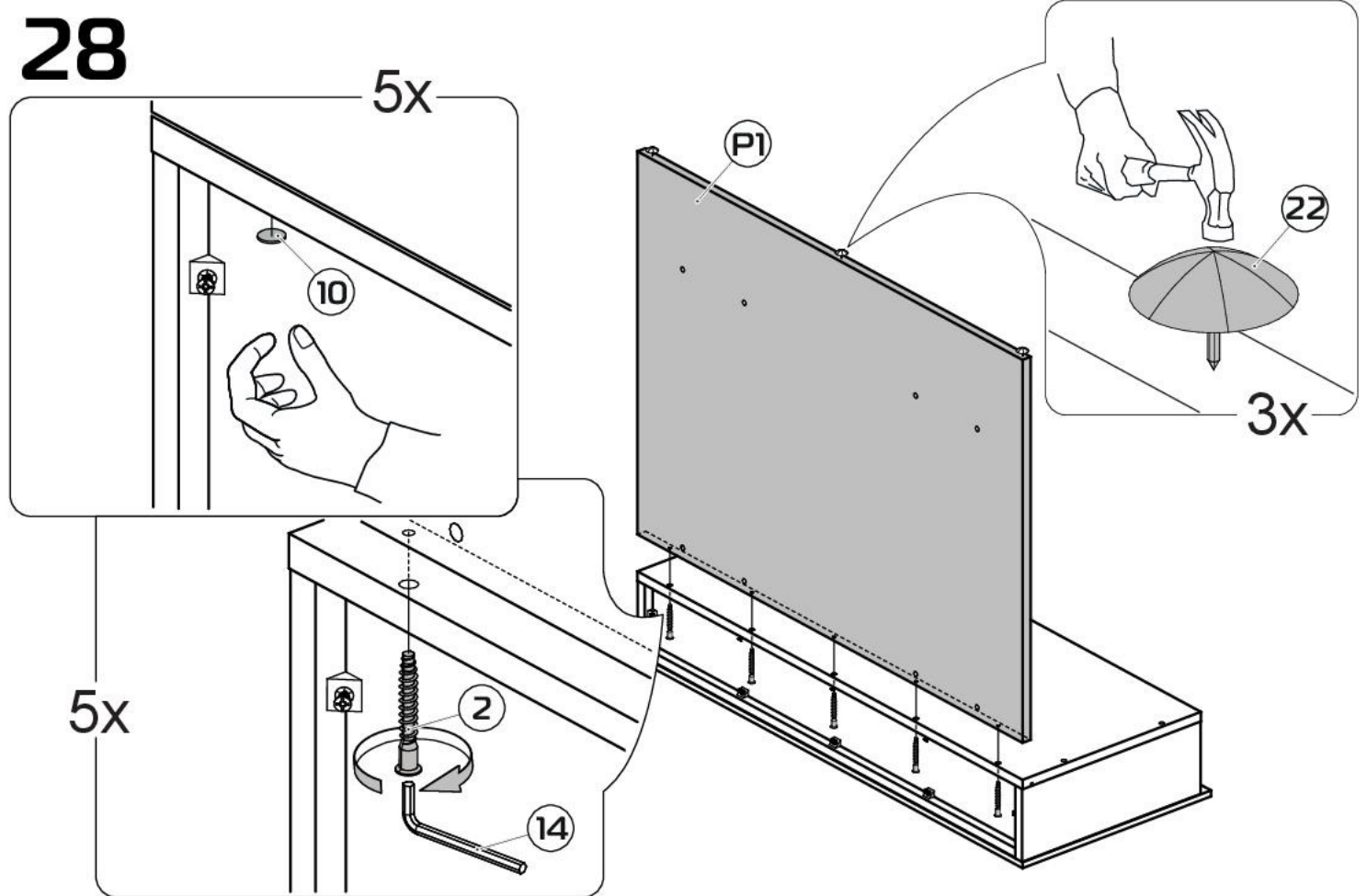
26

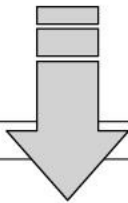
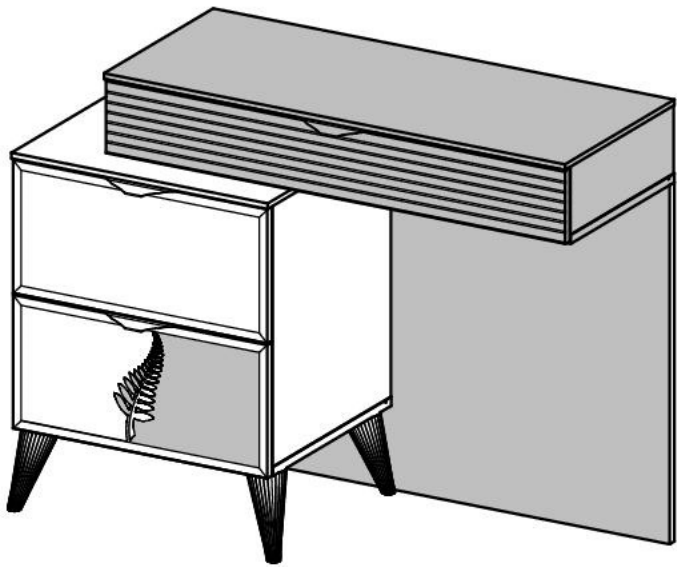


27

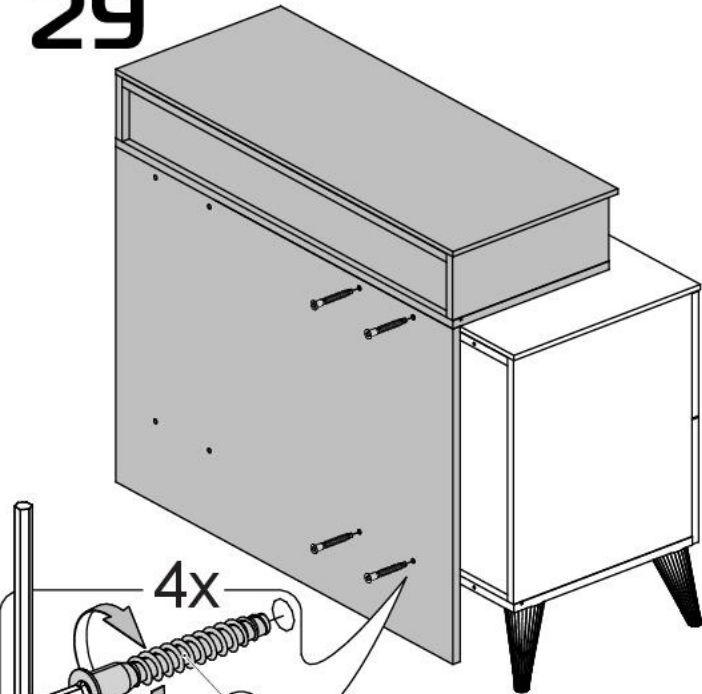


28





29



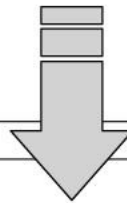
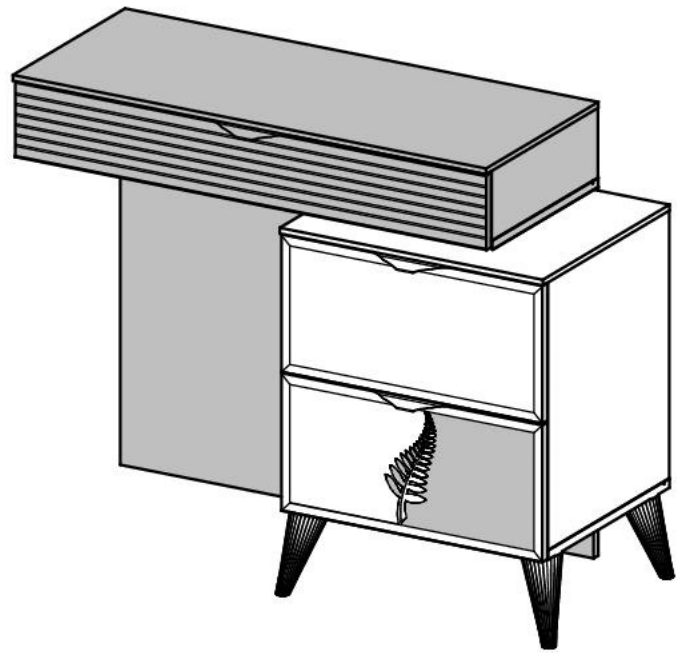
4x

2

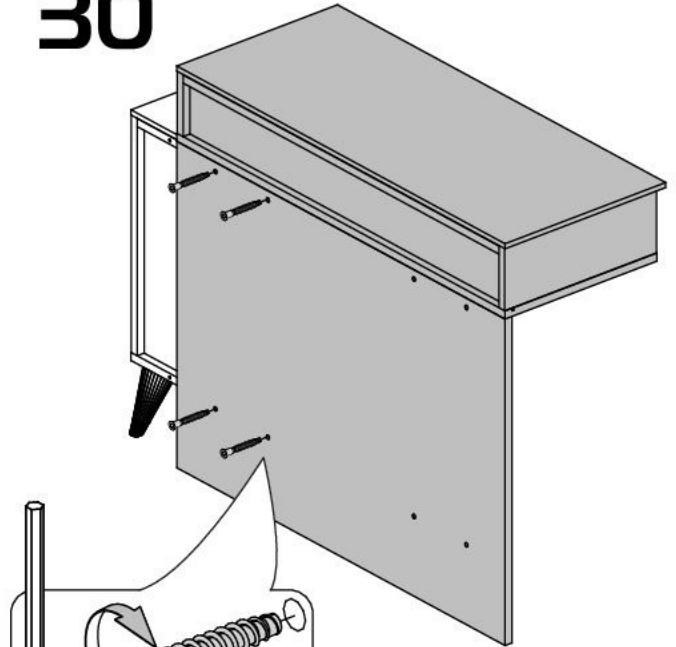
14

4x

10



30



4x

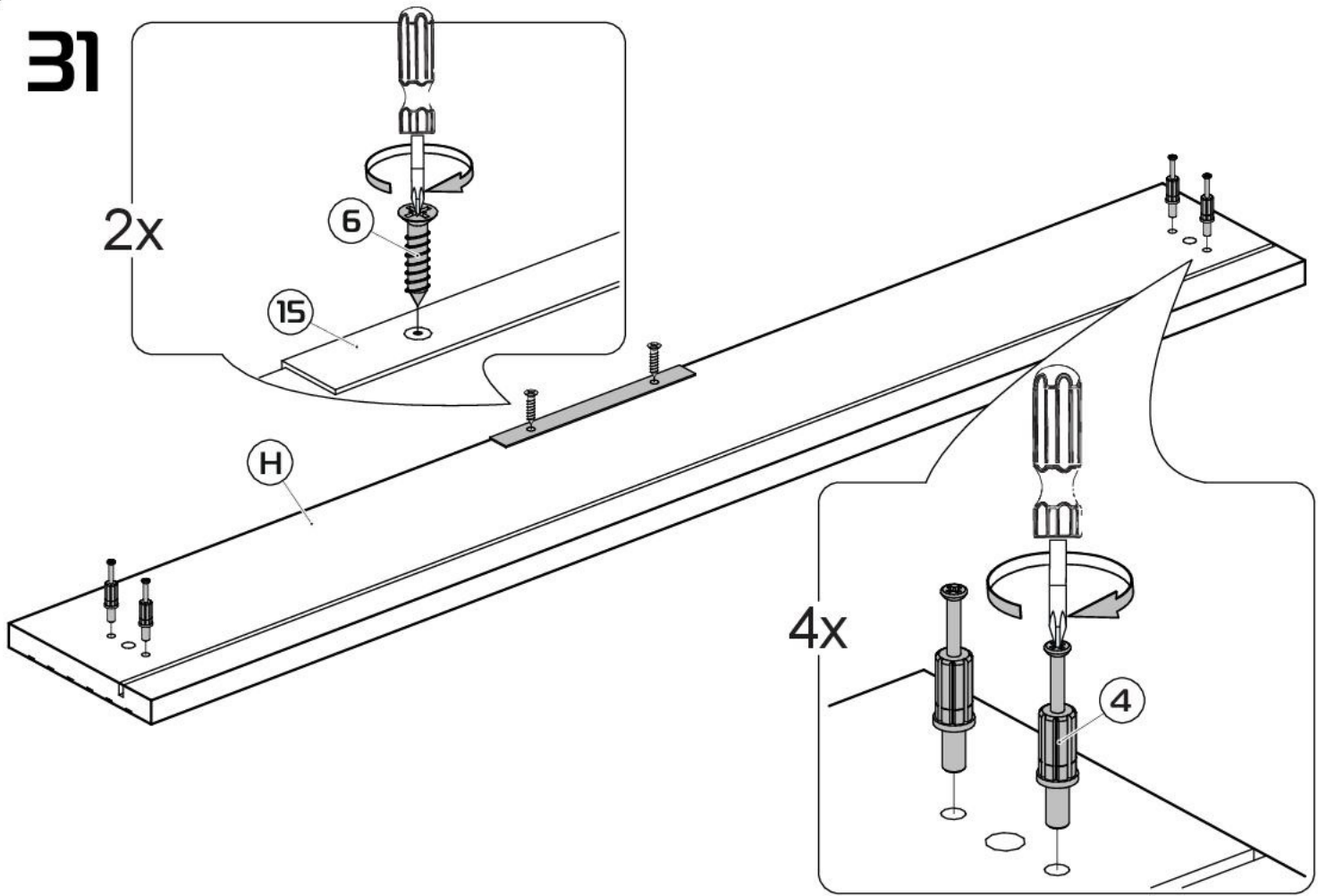
2

14

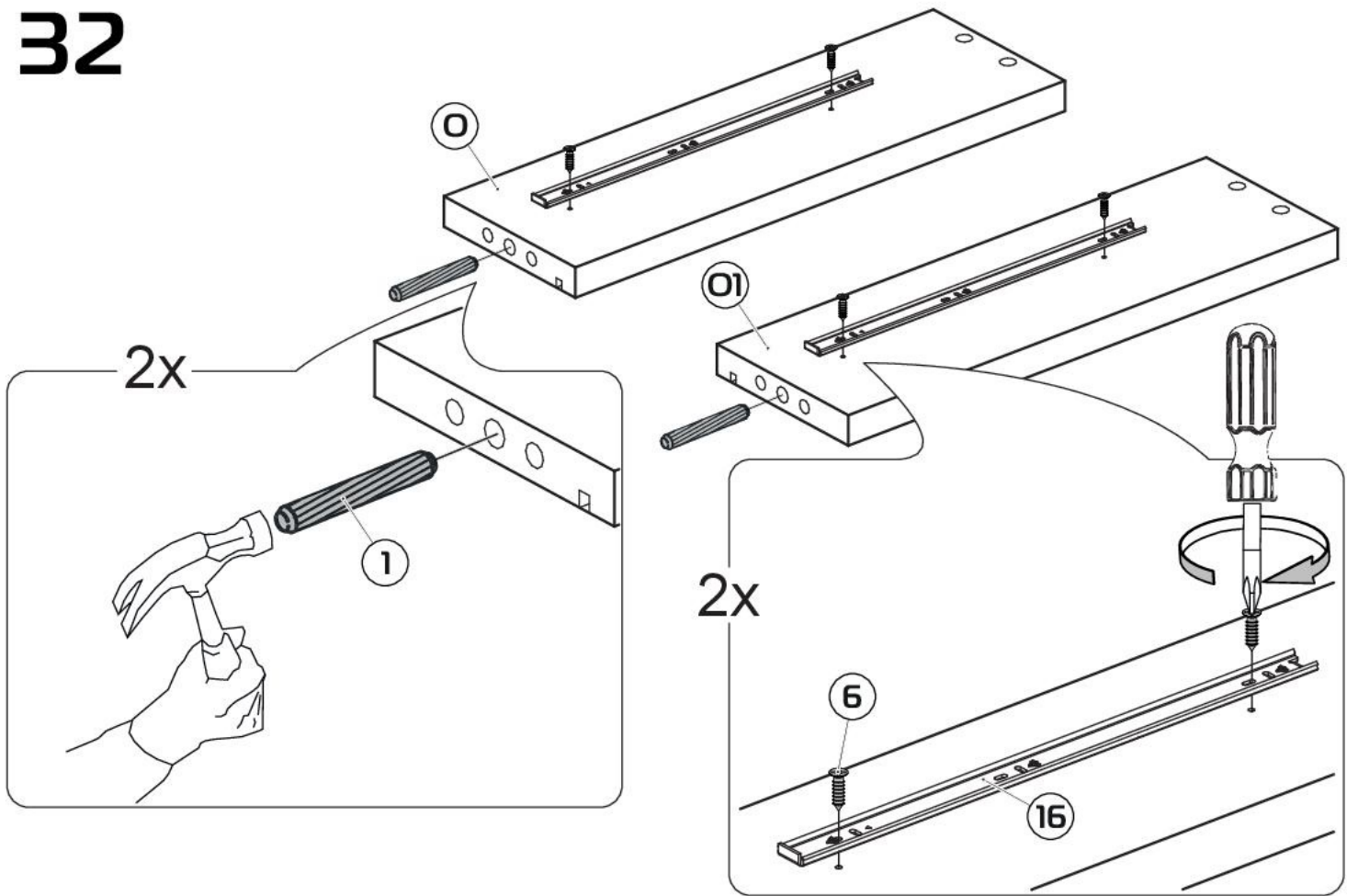
4x

10

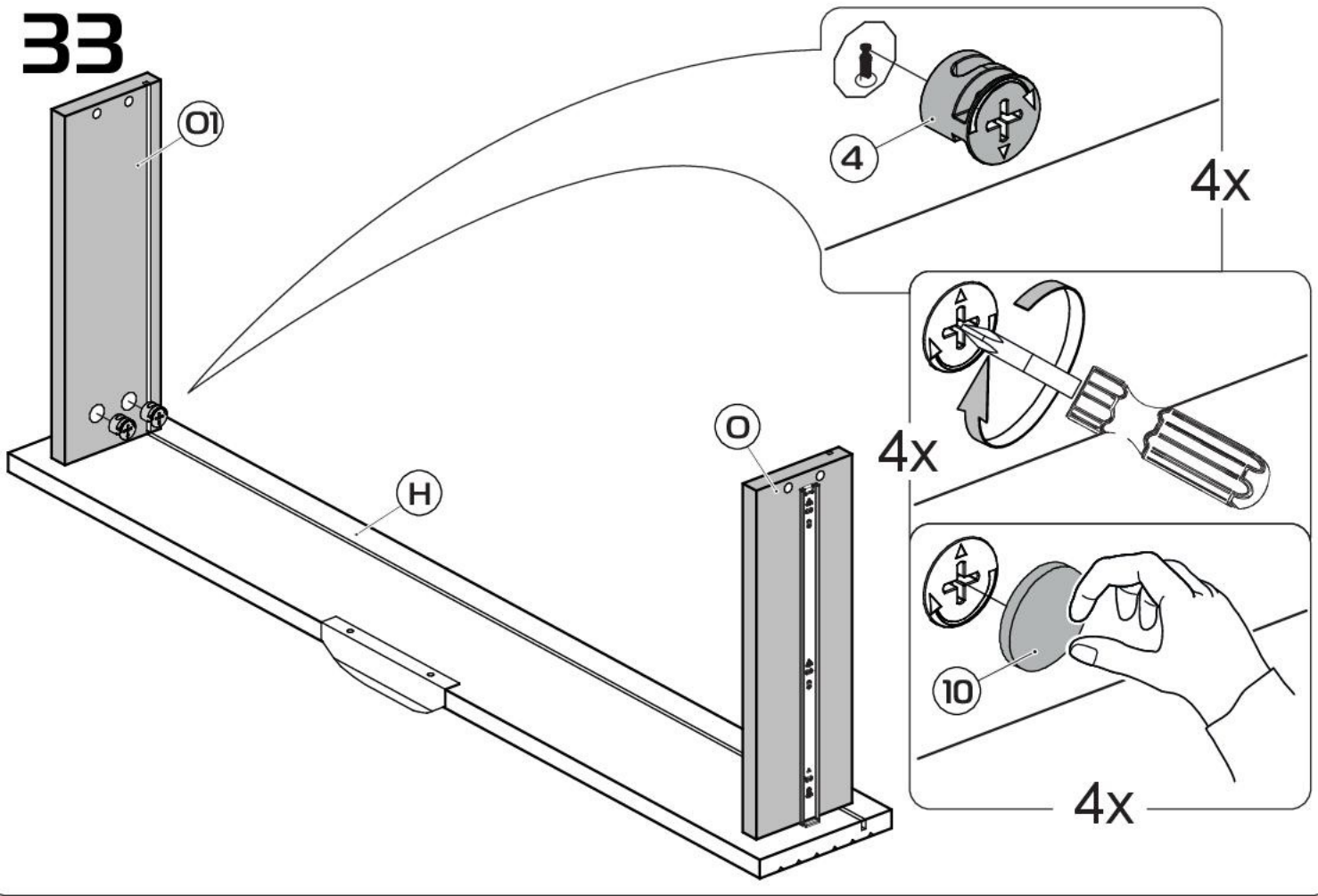
31



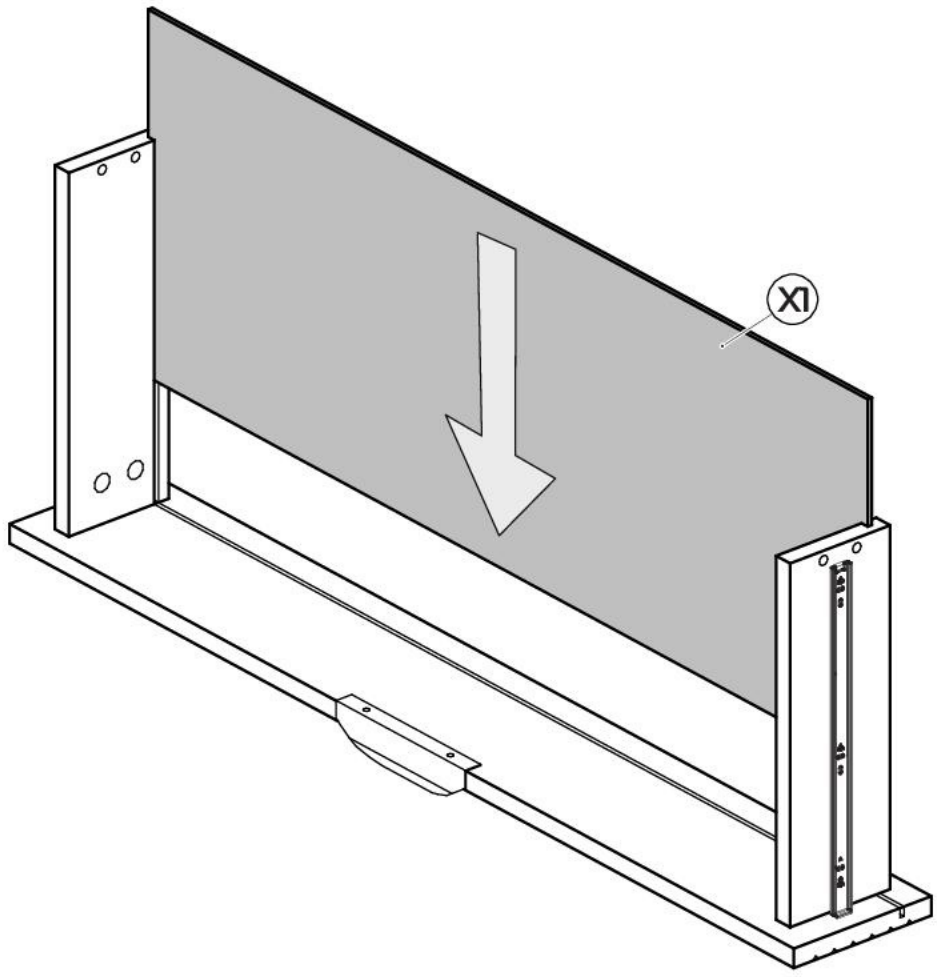
32



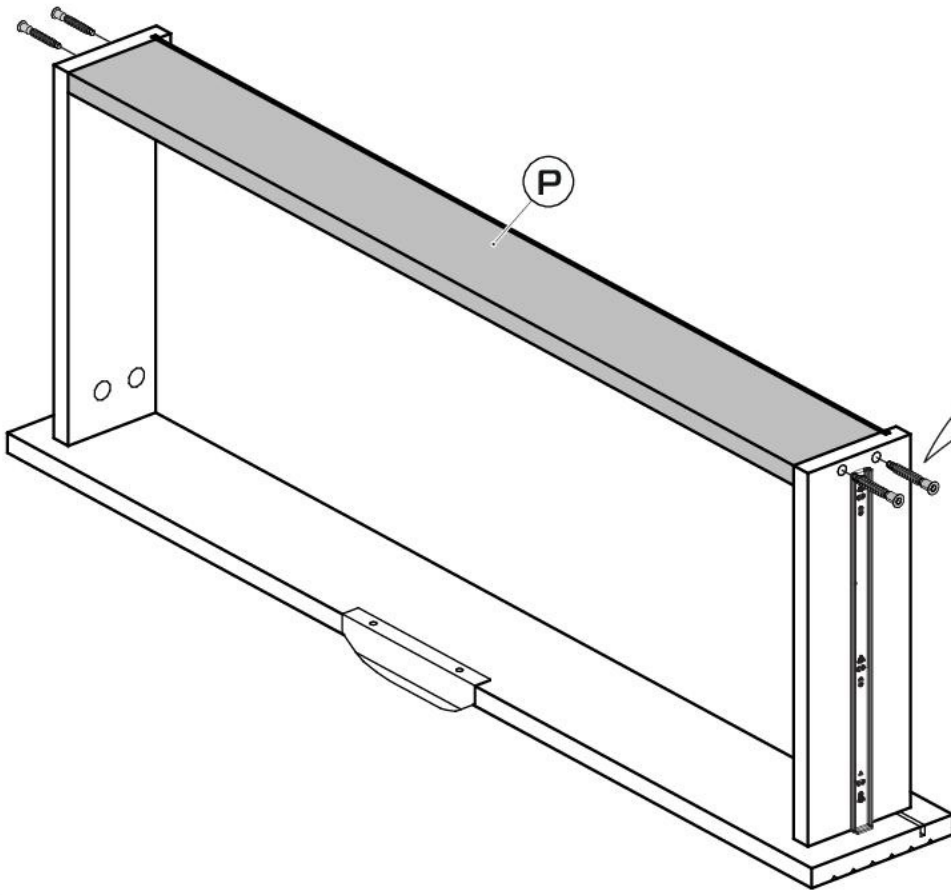
33



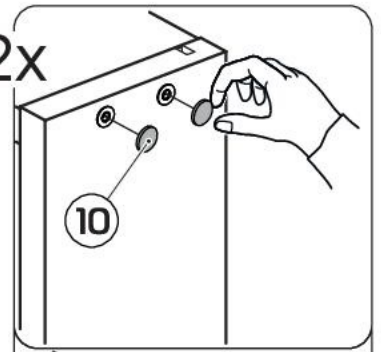
34



35

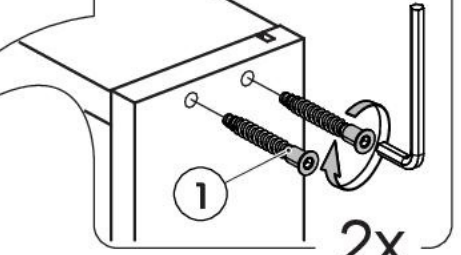


2x

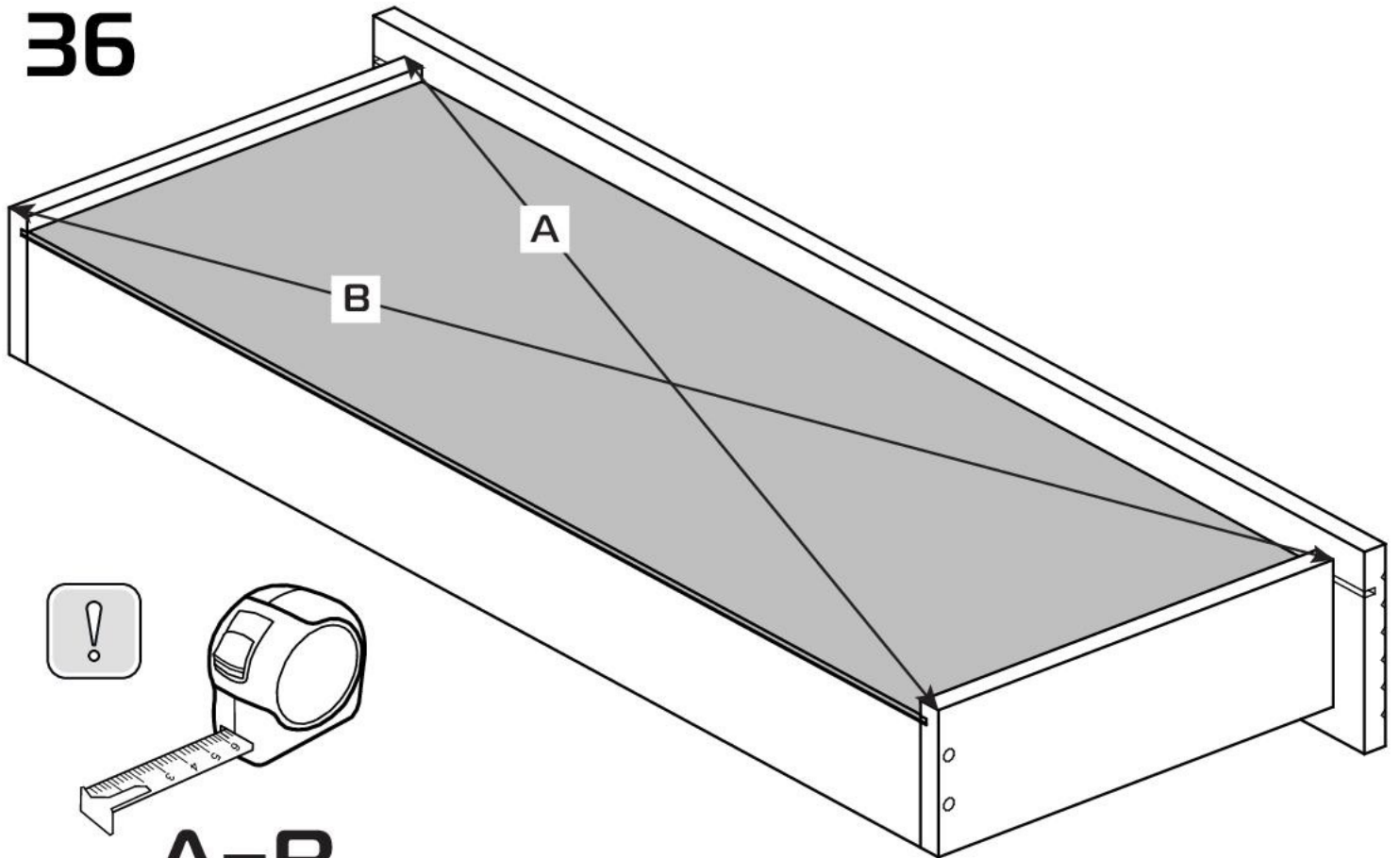


1

2x

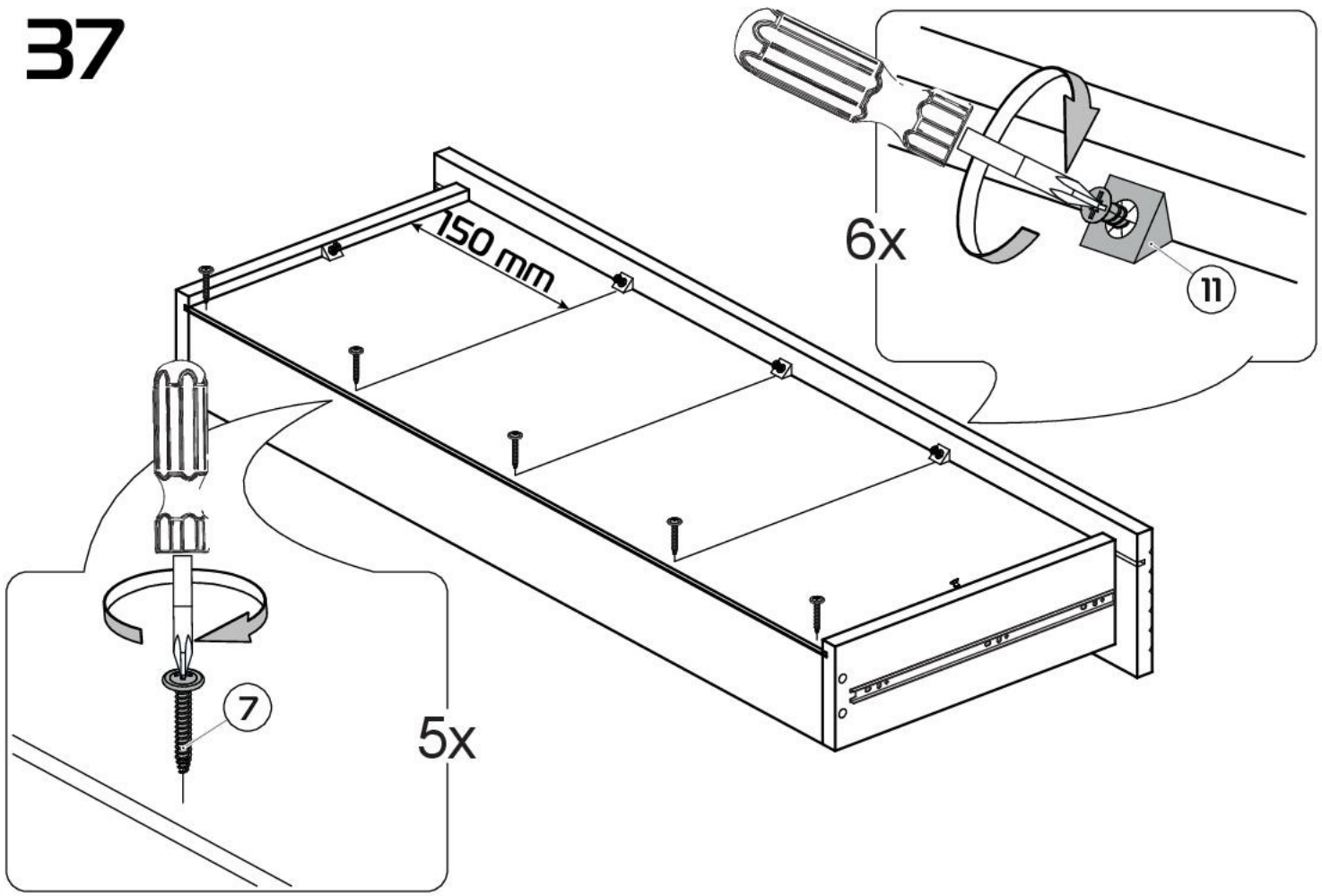


36



A=B

37



38

