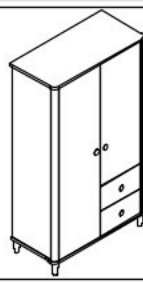












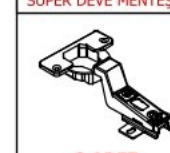
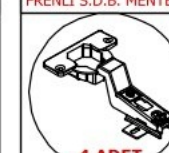



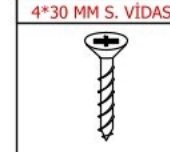


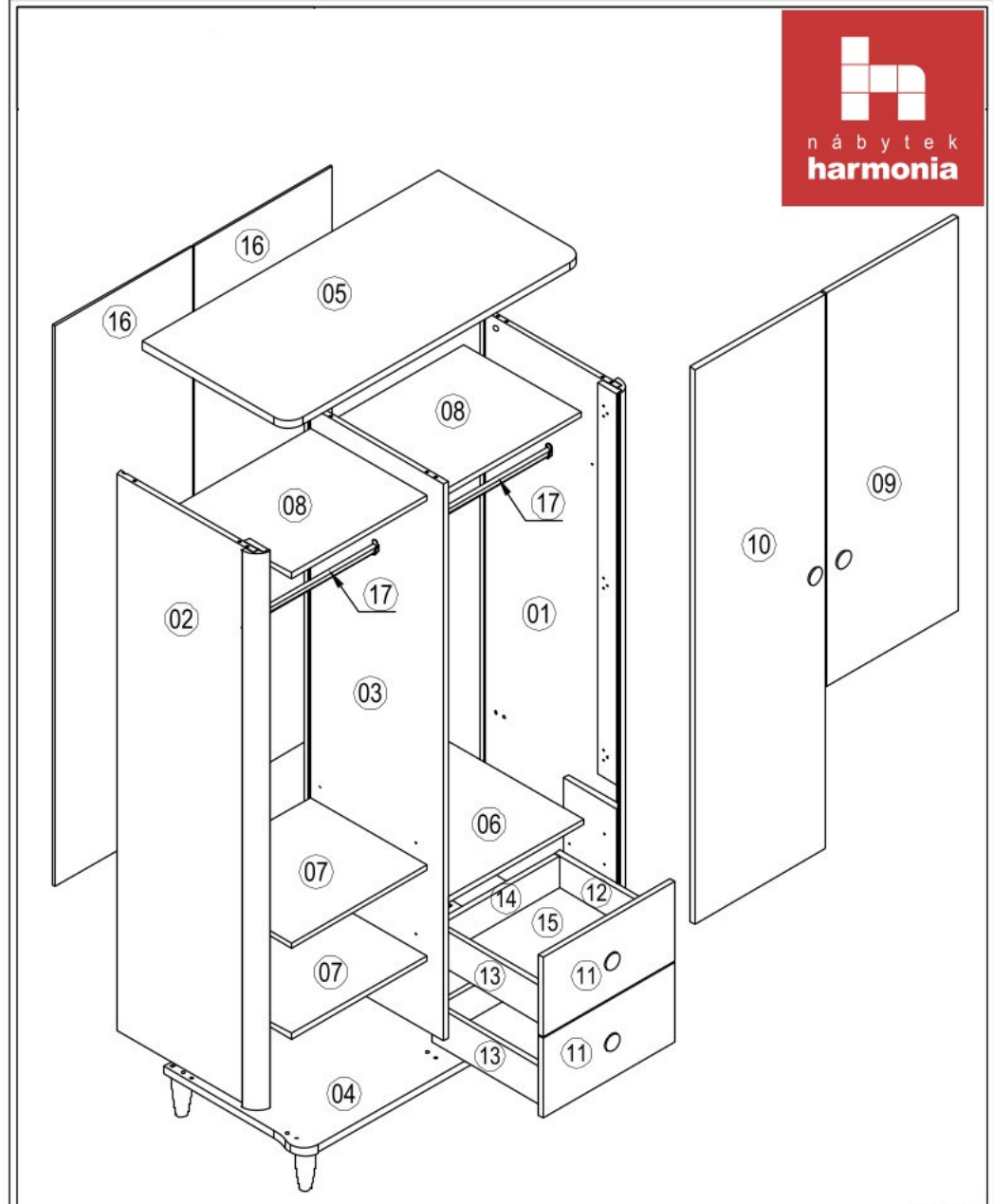


# Šatní skříň 2D HIPPO



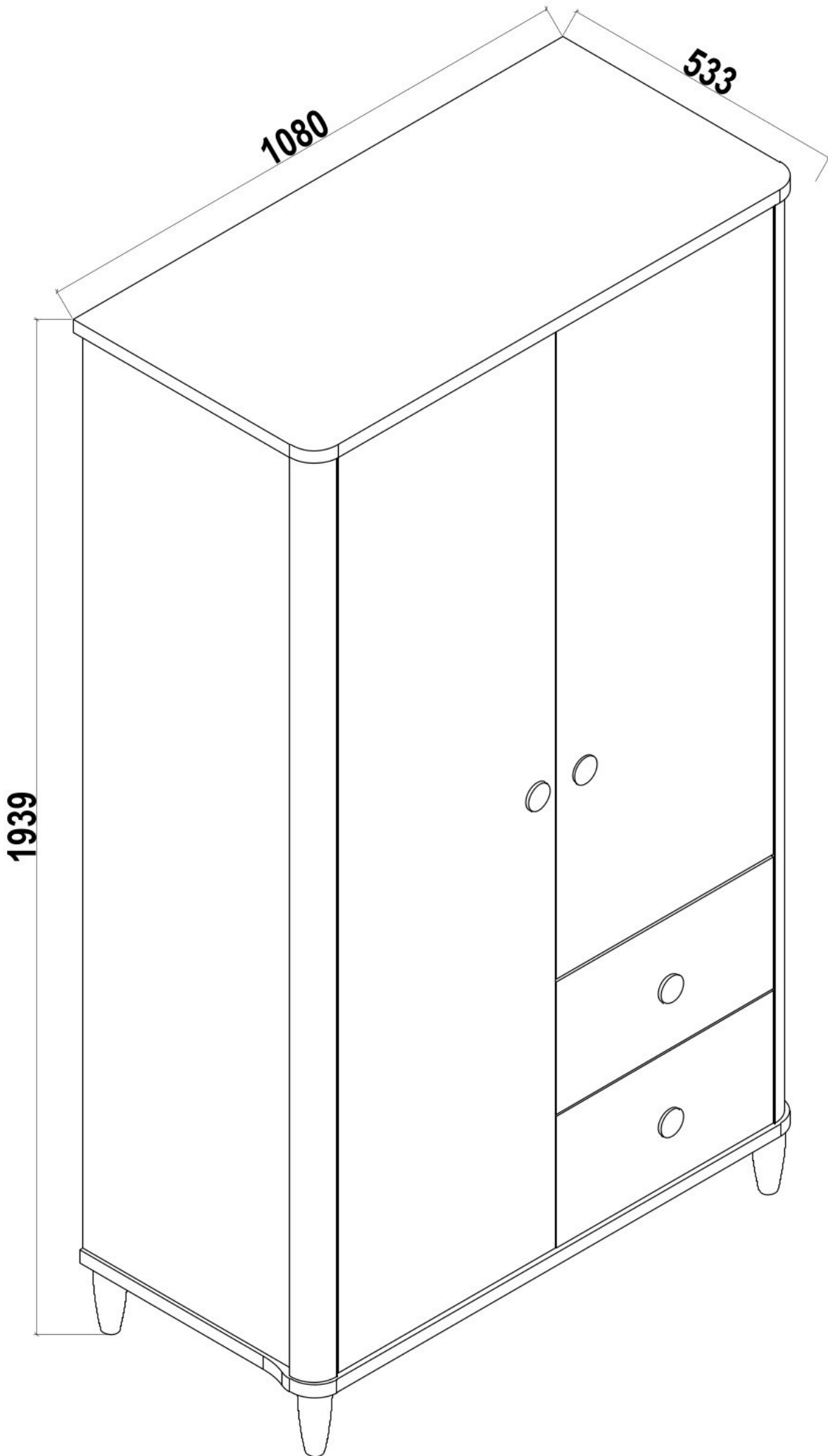
<p>ACCESSORIE NO : 001 MINIFIX MİL 6 MM</p>  <p>16 ADET</p>	<p>ACCESSORIE NO : 317 10'LUK MINIFIX MİL</p>  <p>12 ADET</p>	<p>ACCESSORIE NO : 002 TİTUS MINIFIX GÖVDE</p>  <p>28 ADET</p>	<p>ACCESSORIE NO : 020 MINIFIX TAPA BEYAZ</p>  <p>16 ADET</p>	<p>ACCESSORIE NO : 004 Ø8x30 KAVELA</p>  <p>28 ADET</p>
<p>ACCESSORIE NO : 351 TANDEM RAY 400 (SAMET)</p>  <p>2 TAKIM</p>	<p>ACCESSORIE NO : 119 6.3*9 MM EURO VİDA</p>  <p>26 ADET</p>	<p>ACCESSORIE NO : 200 RAF PİMİ EURO VİDALI</p>  <p>18 ADET</p>	<p>ACCESSORIE NO : 012 ASKI FLANŞI BEYAZ</p>  <p>4 ADET</p>	<p>ACCESSORIE NO : 011 ARKALIK SABITLEME 3.5x25 S.VİDASI</p>  <p>16 ADET</p>
<p>ACCESSORIE NO : 605 LED IŞIK</p>  <p>2 ADET</p>	<p>ACCESSORIE NO : 094 3,5*16 S. VİDASI</p>  <p>6 ADET</p>	<p>ACCESSORIE NO : 022 SÜPER DEVE MENTEŞE</p>  <p>3 ADET</p>	<p>ACCESSORIE NO : 183 FRENLI S.D.B. MENTEŞE</p>  <p>4 ADET</p>	<p>ACCESSORIE NO : 092 4*18 MM S. VİDASI</p>  <p>28 ADET</p>
<p>ACCESSORIE NO : 524 ARDIÇ AYAK</p>  <p>5 ADET</p>	<p>ACCESSORIE NO : 299 M6*25 VİDA</p>  <p>5 ADET</p>	<p>ACCESSORIE NO : 095 4*30 MM S. VİDASI</p>  <p>15 ADET</p>	<p>ACCESSORIE NO : 519 Ø40 K002 KULP</p>  <p>4 ADET</p>	<p>ACCESSORIE NO : 533 3,9*28 MM PLS.VİDA</p>  <p>4 ADET</p>

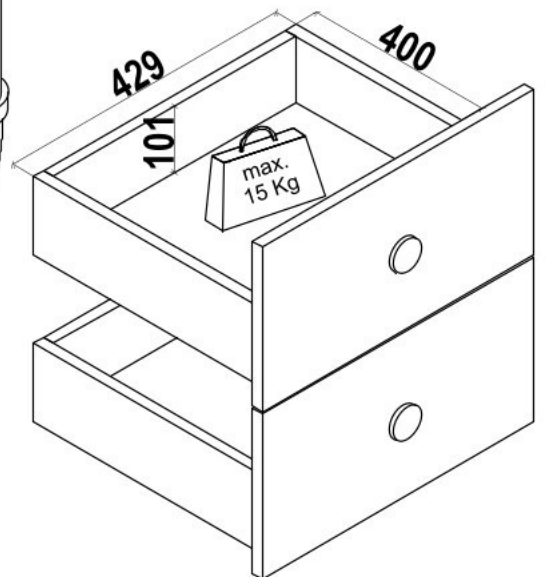
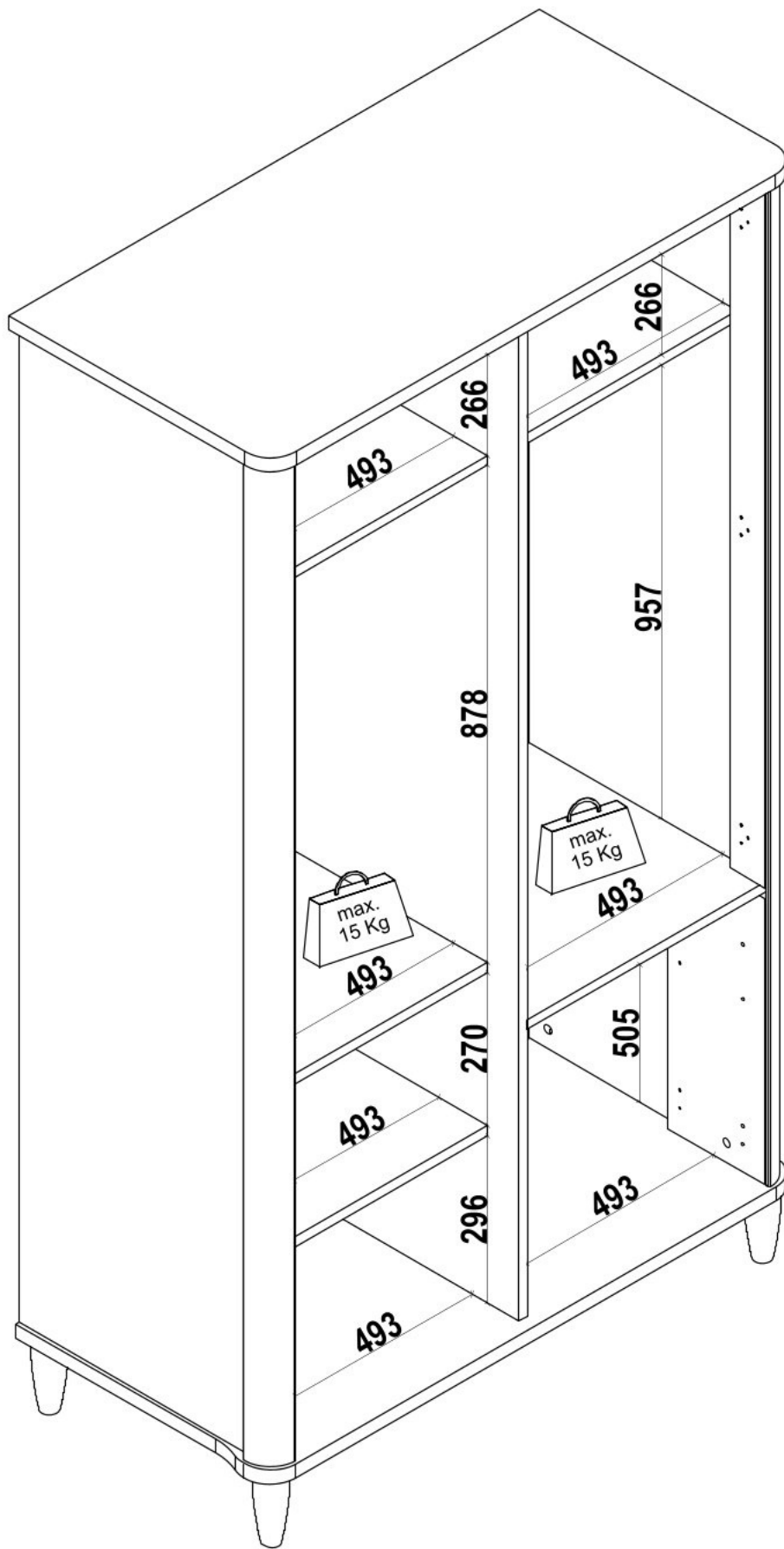


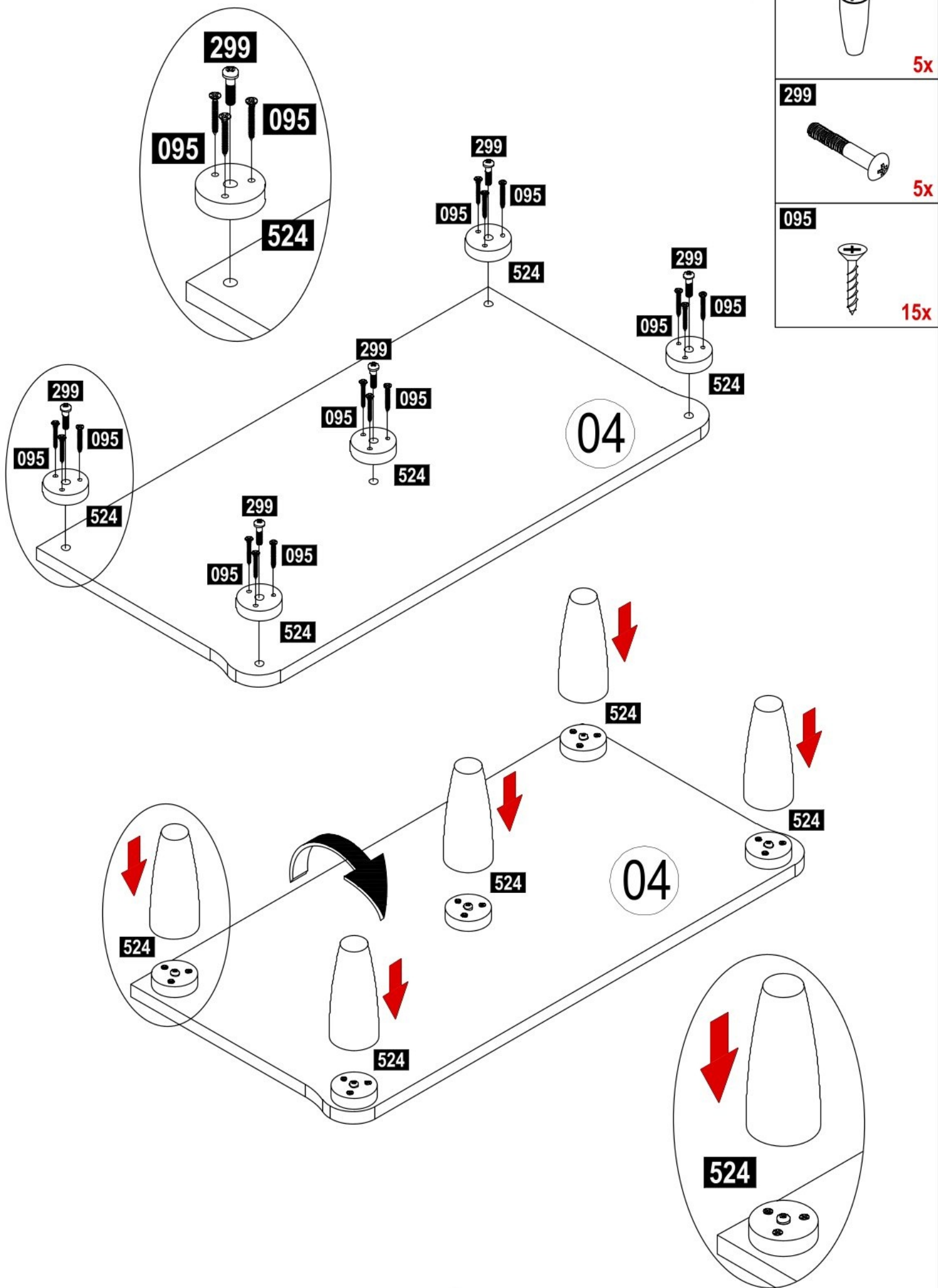
NO	ADET/PCS	ÖLÇÜ/DIMENSIONS	NO	ADET/PCS	ÖLÇÜ/DIMENSIONS	NO	ADET/PCS	ÖLÇÜ/DIMENSIONS
01	1	528 X 1764	11	2	480 X 253			
02	1	528 X 1764	12	2	120 X 400			
03	1	507 X 1764	13	2	120 X 400			
04	1	1083 X 533	14	2	120X 429			
05	1	1083 X 533	15	2	440 X 387			
06	1	488 X 493	16	2	504 X 1775			
07	2	426 X 471	17	2	485 X 30			
08	2	426 X 471						
09	1	480 X 1245						
10	1	480 X 1757						

PLEASE ORDER THE ACCESSORIES ACCORDING TO THE REFERENCE NUMBER ON THE DRAWING(EXAMPLE ACCESSORIE NO-008 RAFIX MİL 1.PCS.)

PLEASE ORDER THE SPARE PARTS ACCORDING TO THE REFERENCE NUMBER ON THE DRAWING







002



2x

001

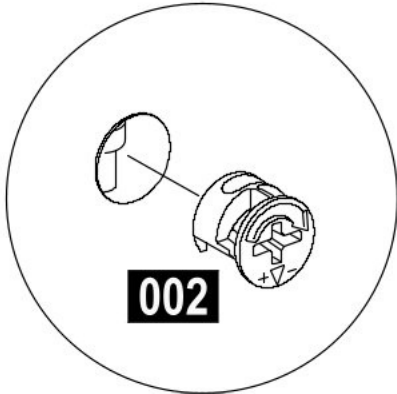


2x

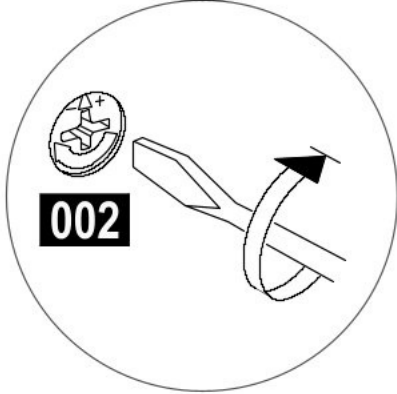
004



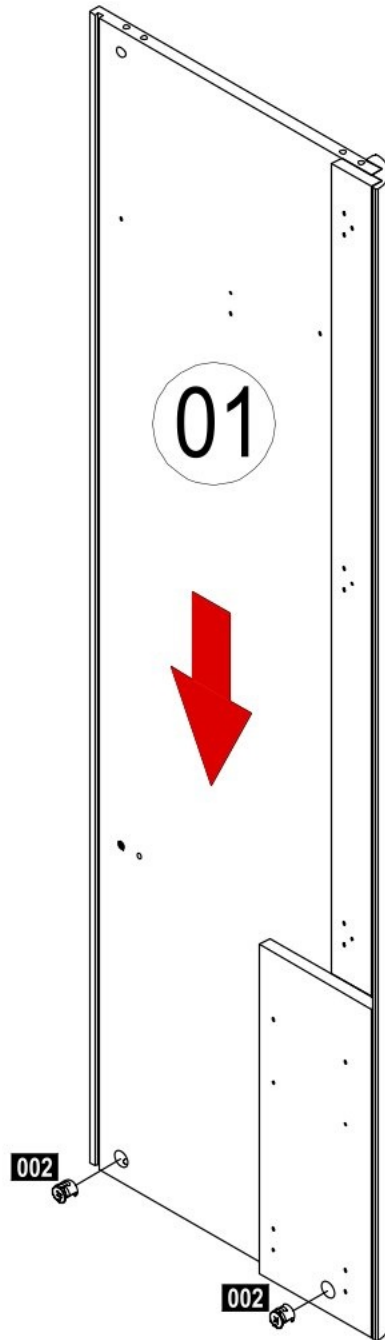
2x



002



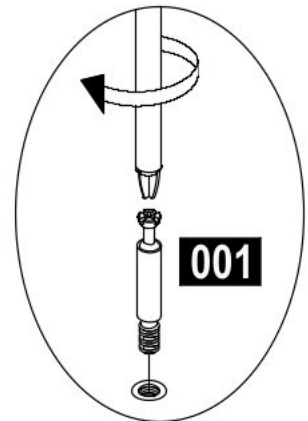
002



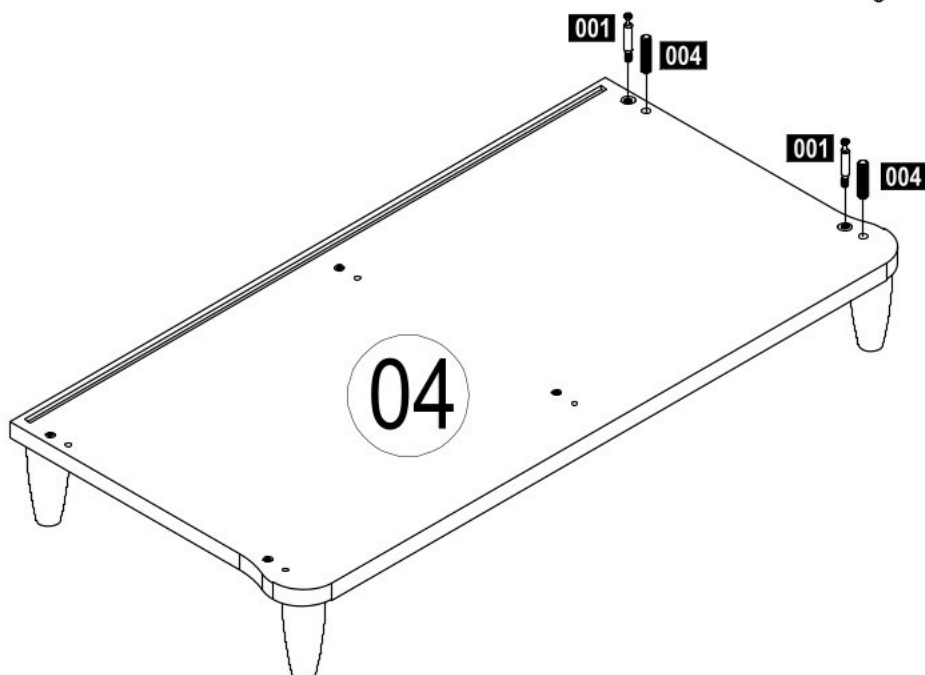
01

002

002



001



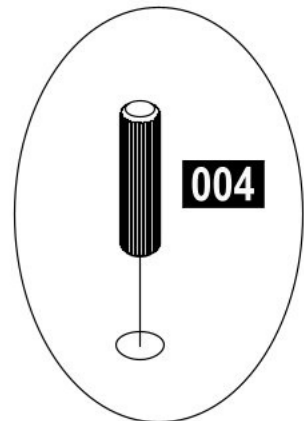
04

001

004

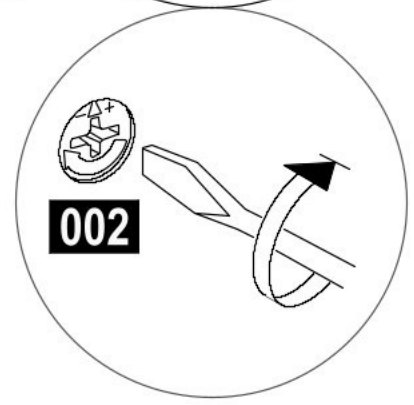
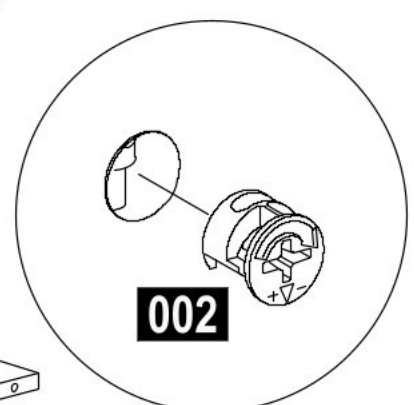
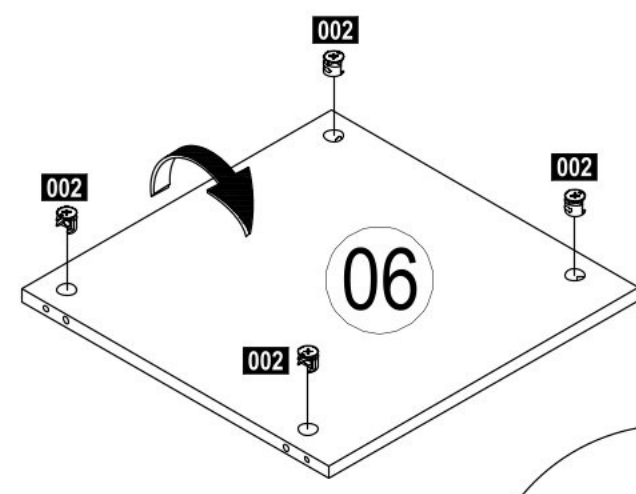
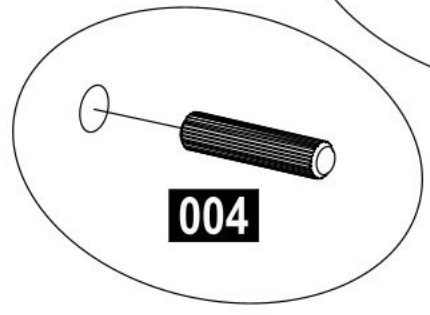
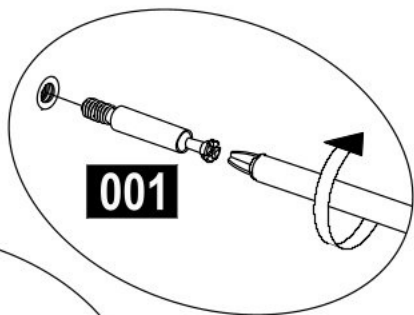
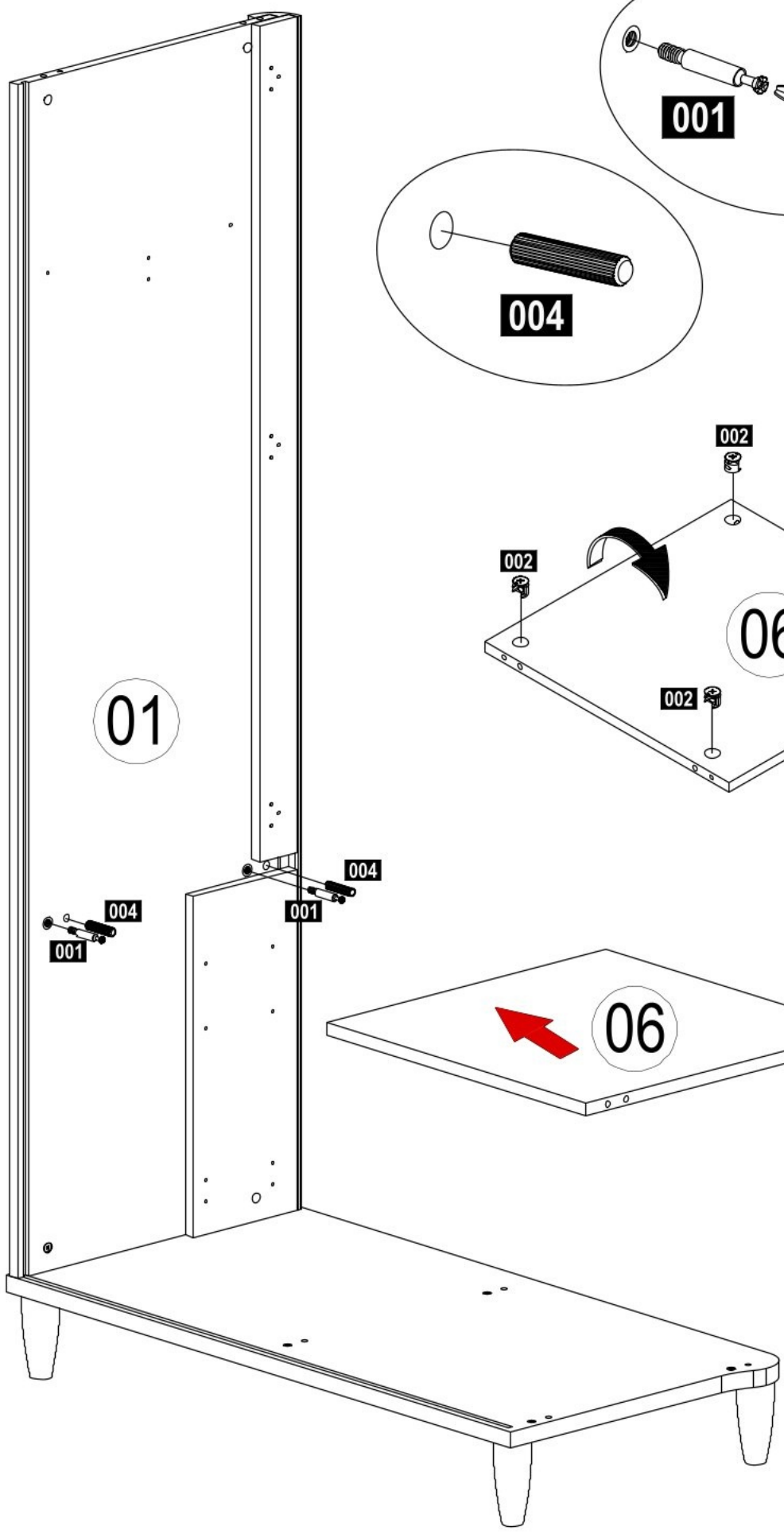
001




004

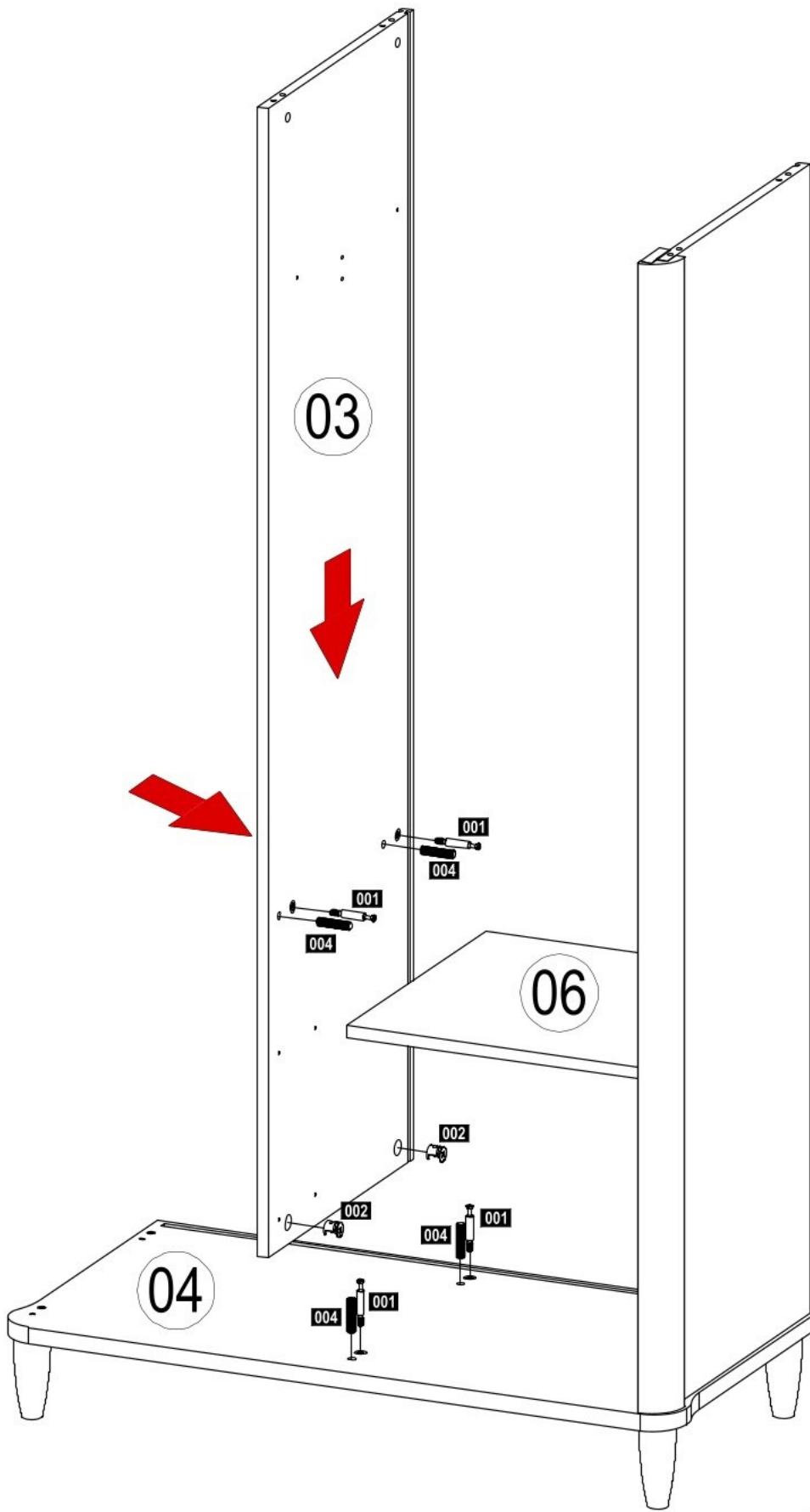





004

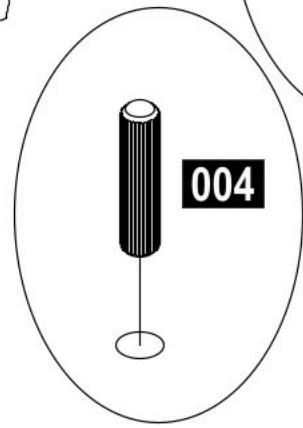
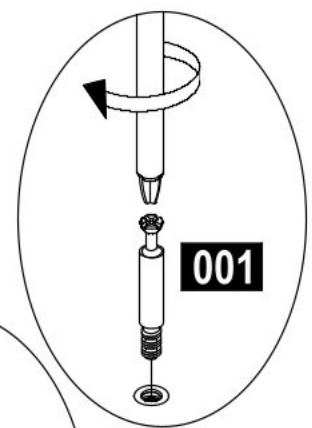
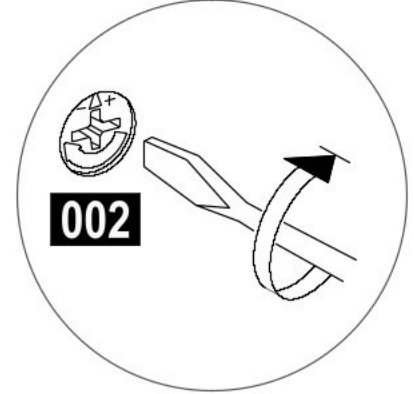
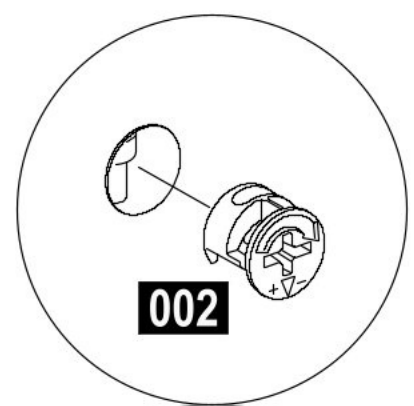


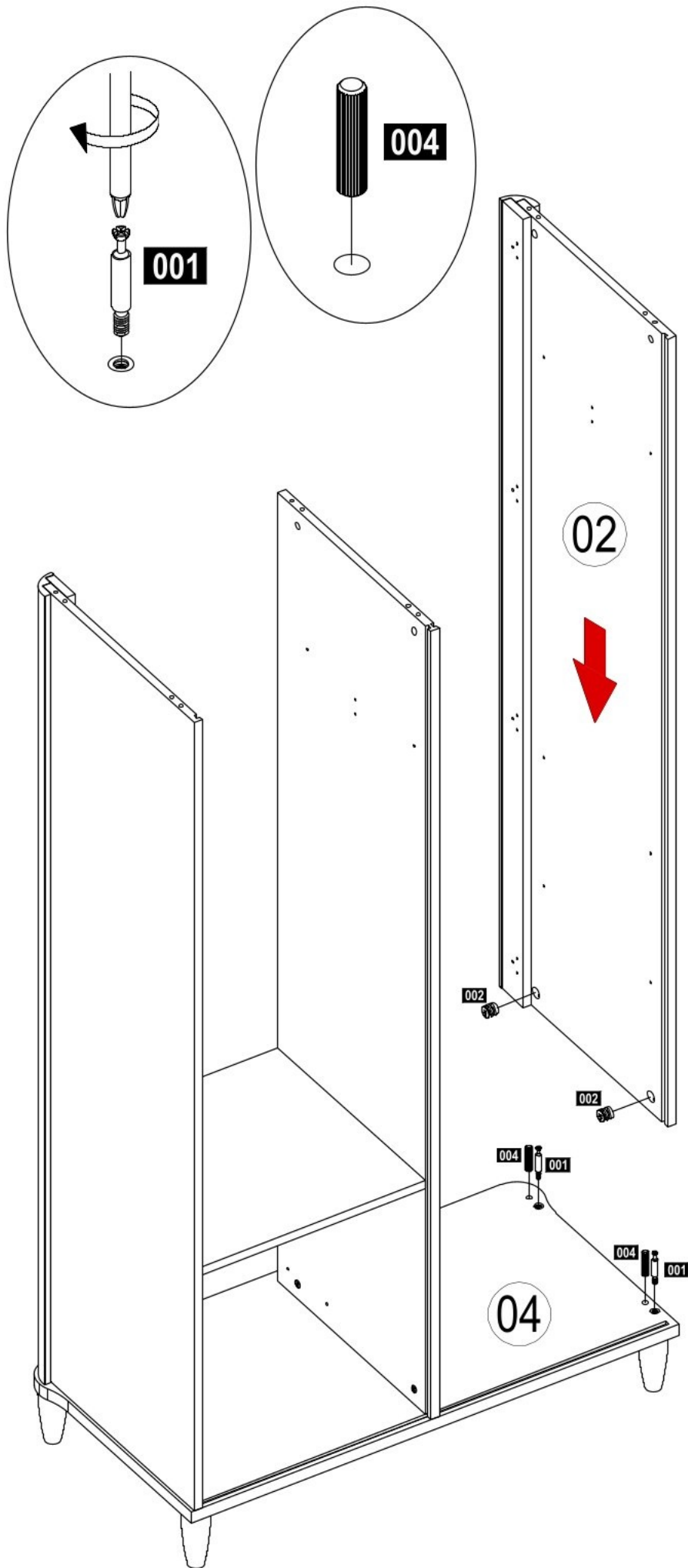






- |     |   |    |
|-----|---|----|
| 002 |   | 4x |
| 001 |  | 2x |
| 004 |  | 2x |

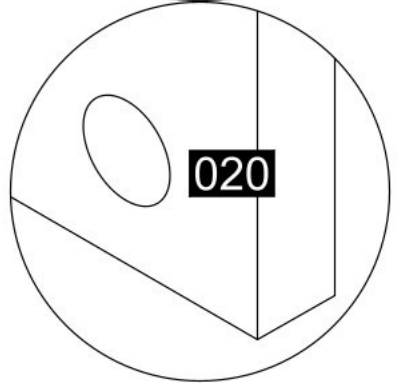
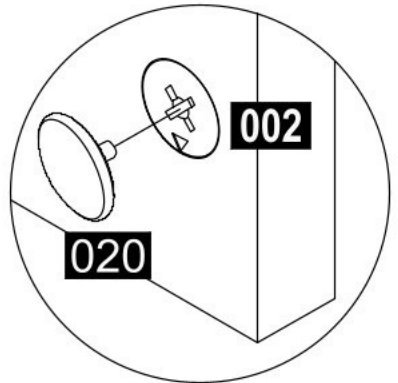
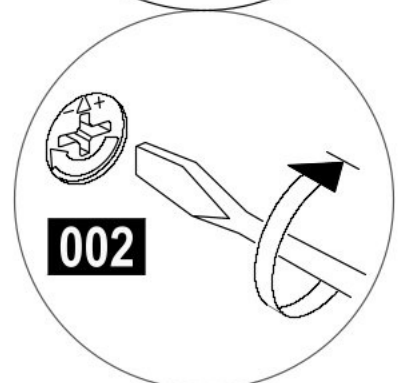
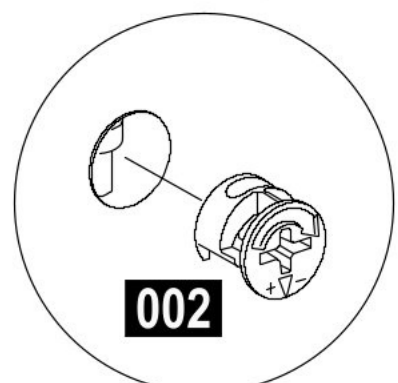


- 002  2x
- 001  4x
- 004  4x

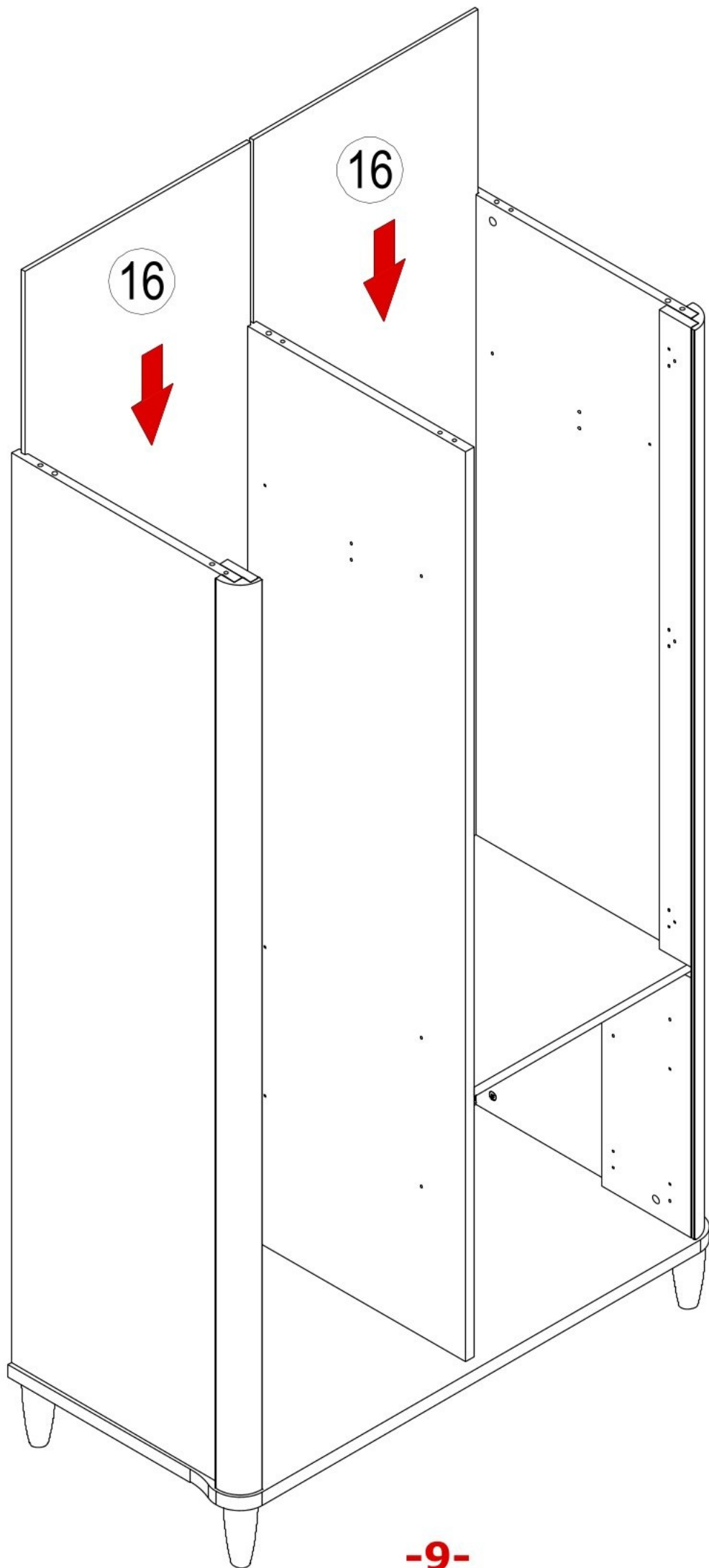


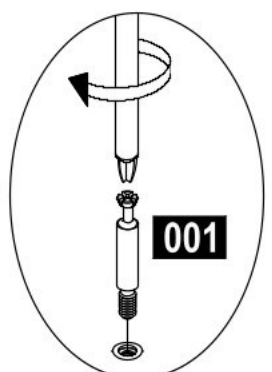
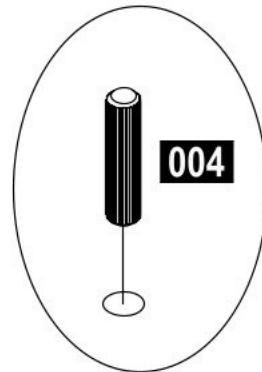
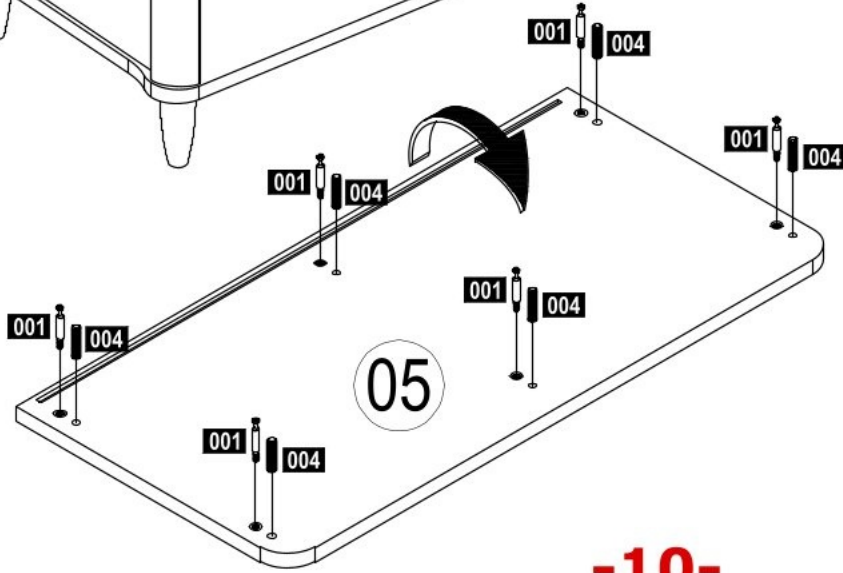
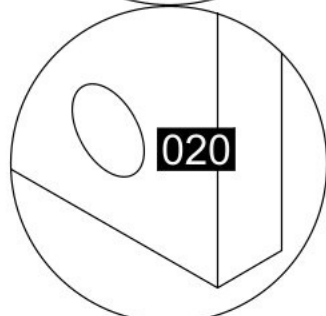
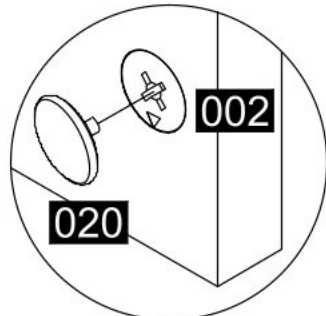
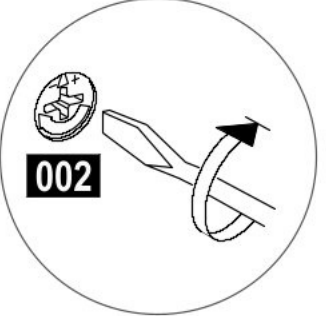
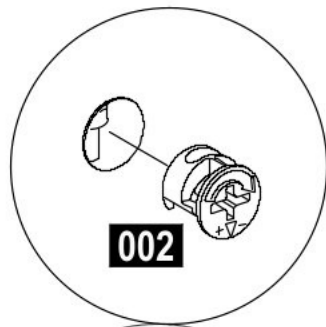
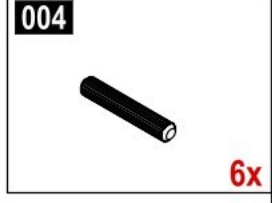
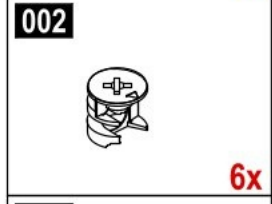
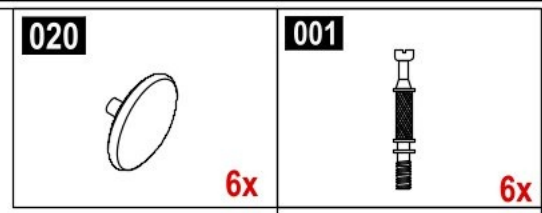
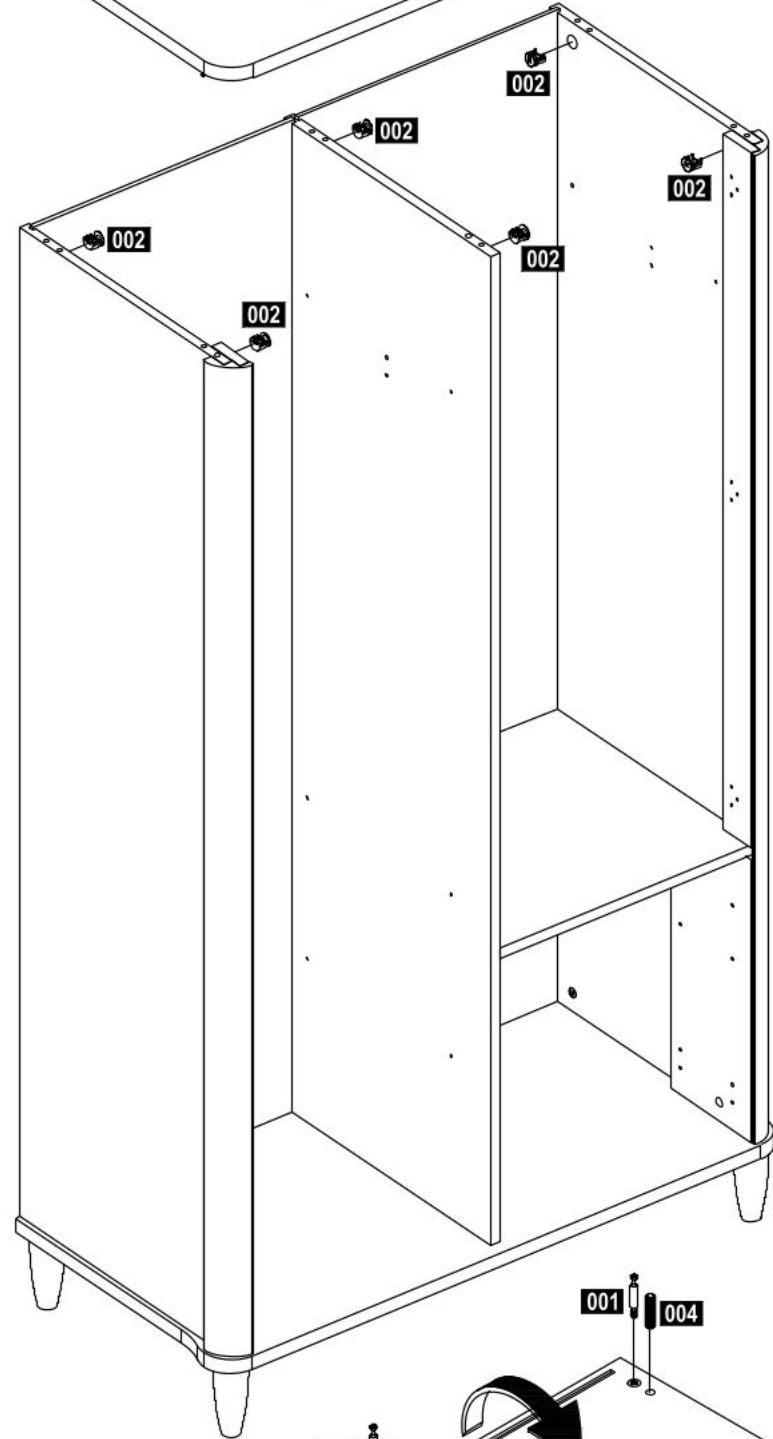
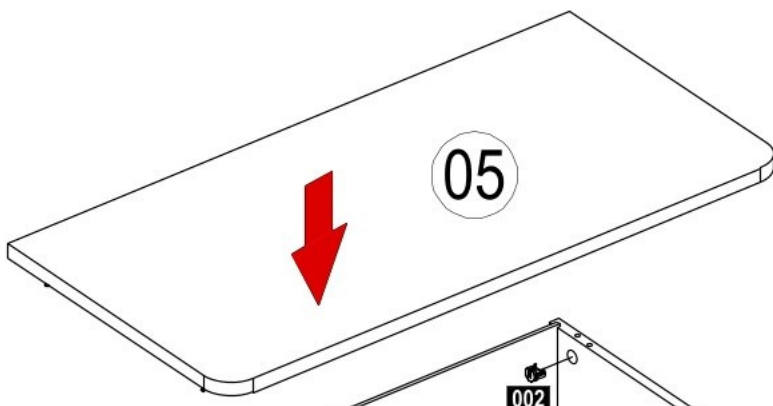


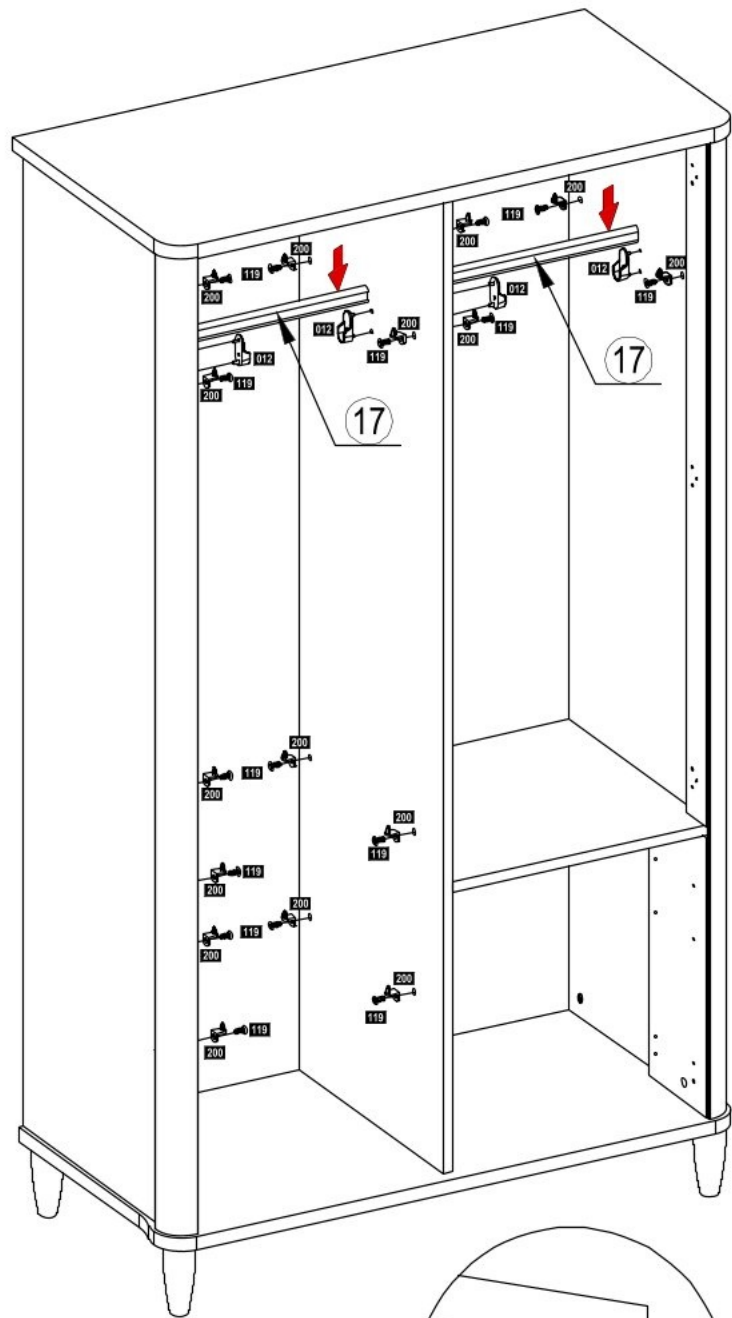
<b>020</b>  <b>2x</b>	<b>001</b>  <b>2x</b>
<b>002</b>  <b>2x</b>	
<b>004</b>  <b>2x</b>	









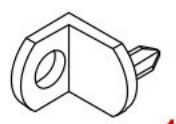


012



4x

200



16x

119



16x

605

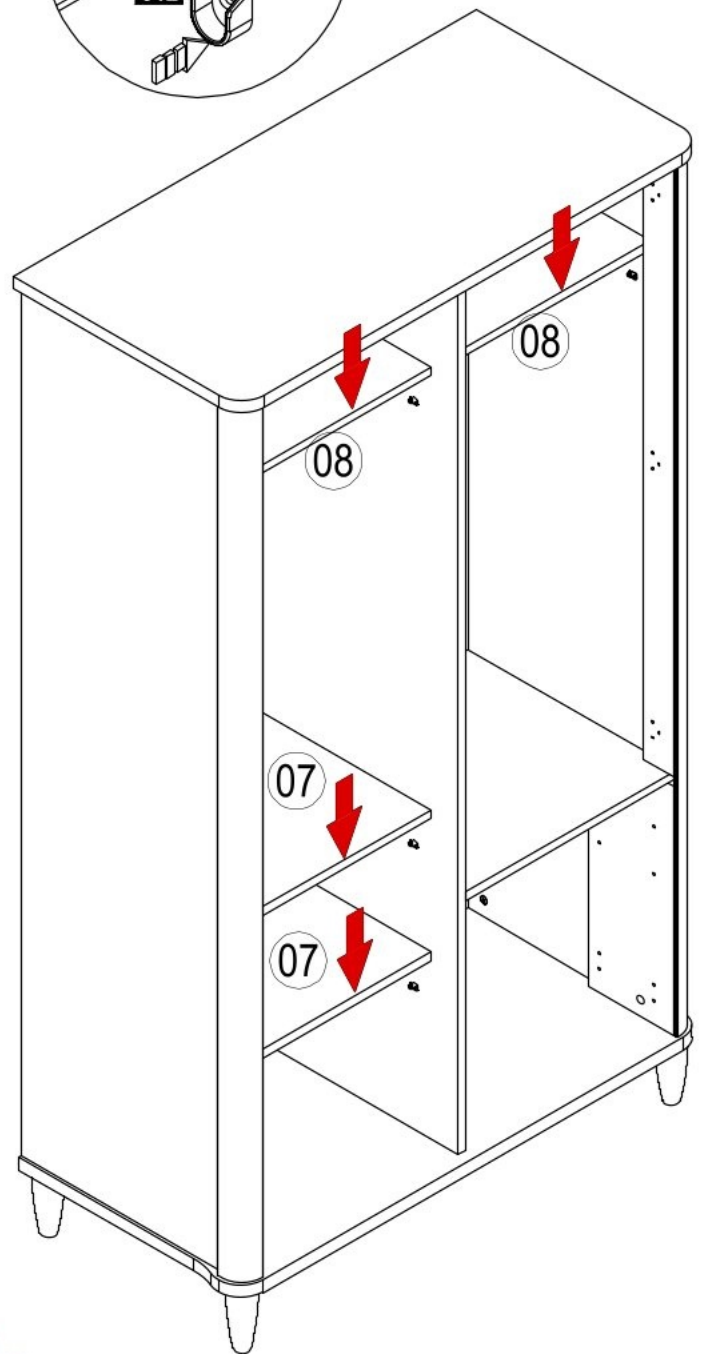
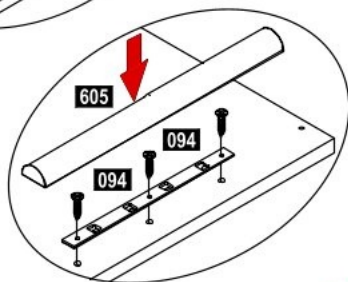
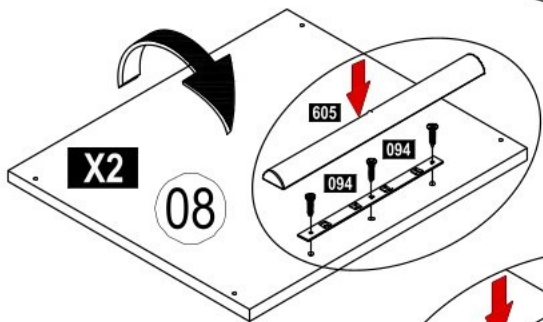
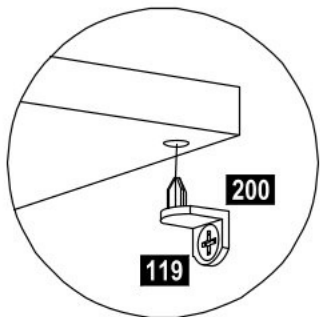
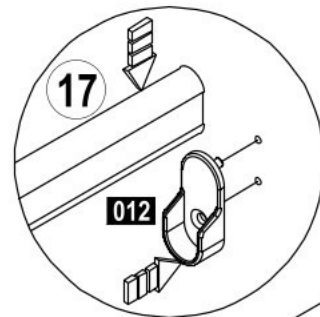
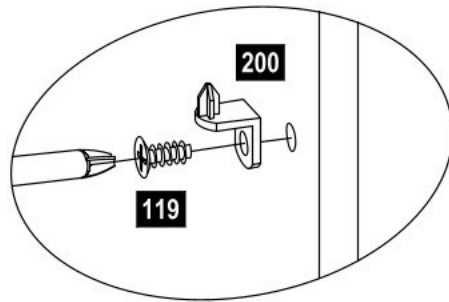


2x

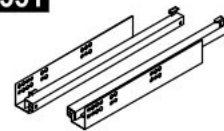
094



6x



351

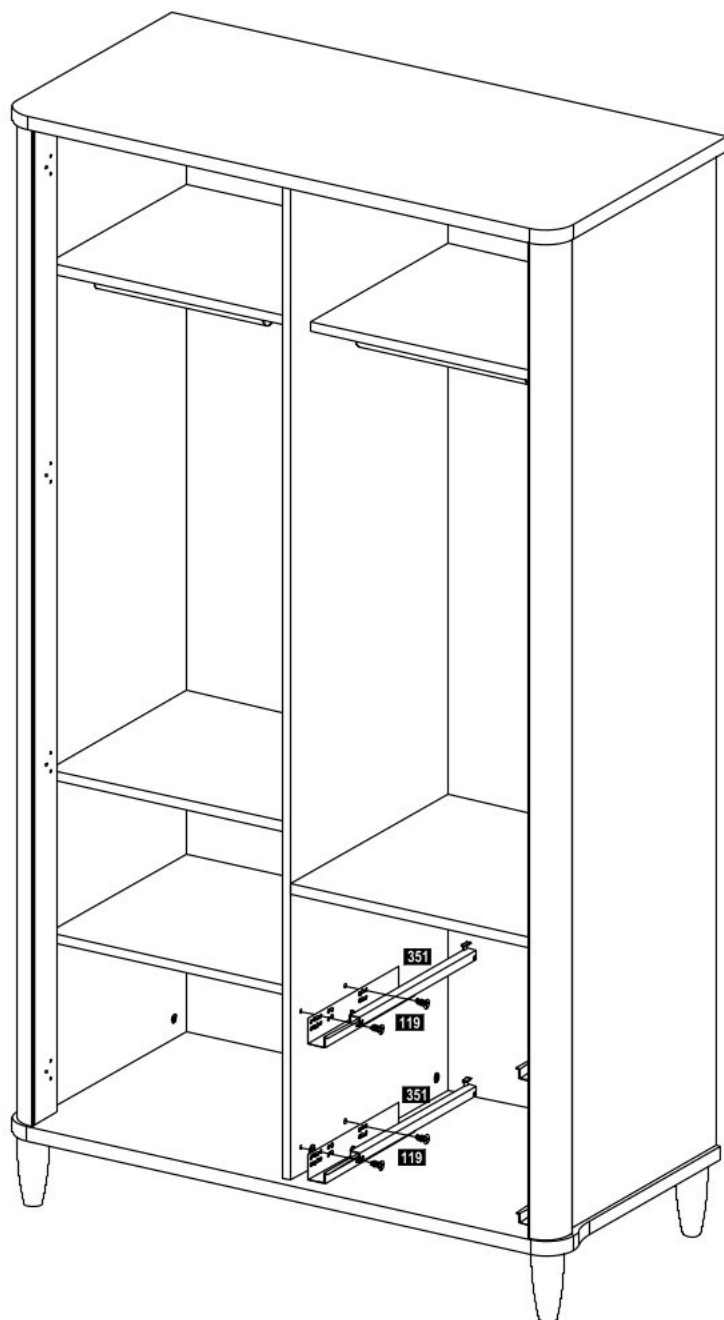
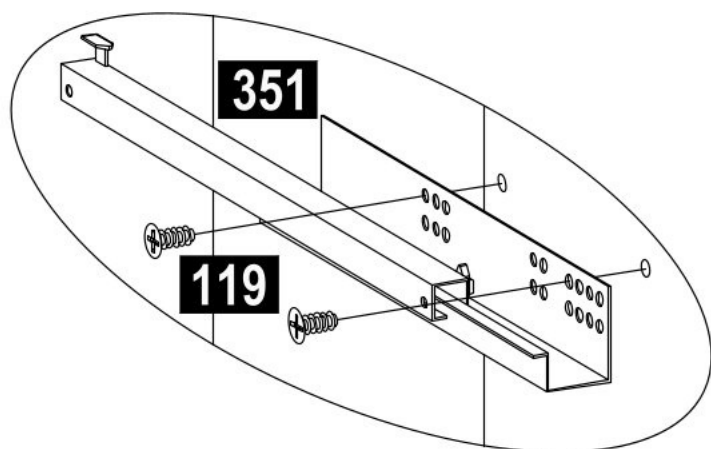
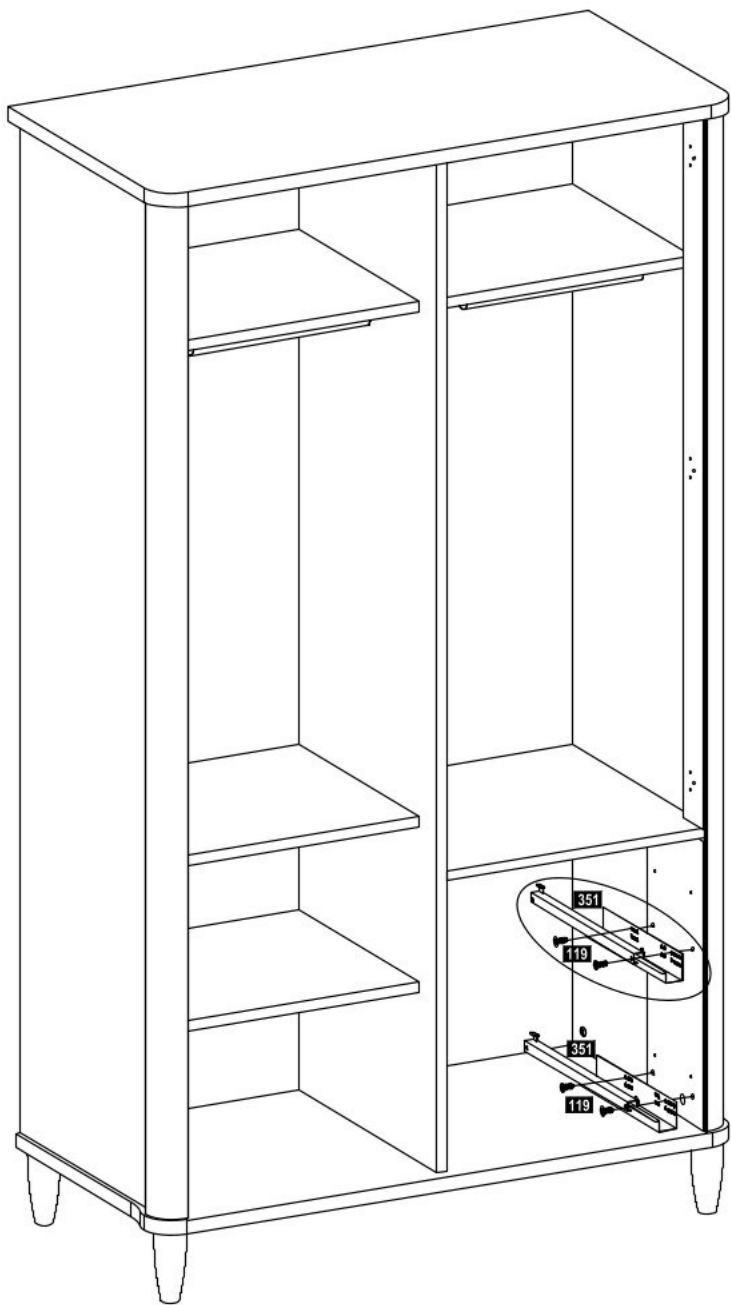


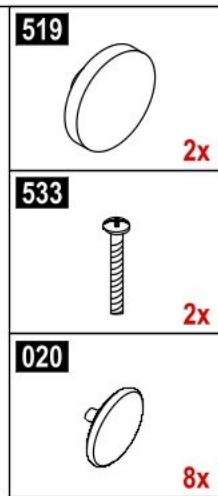
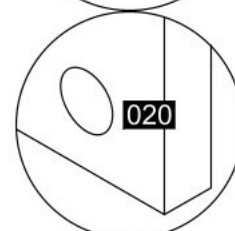
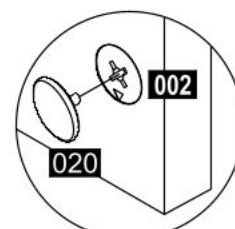
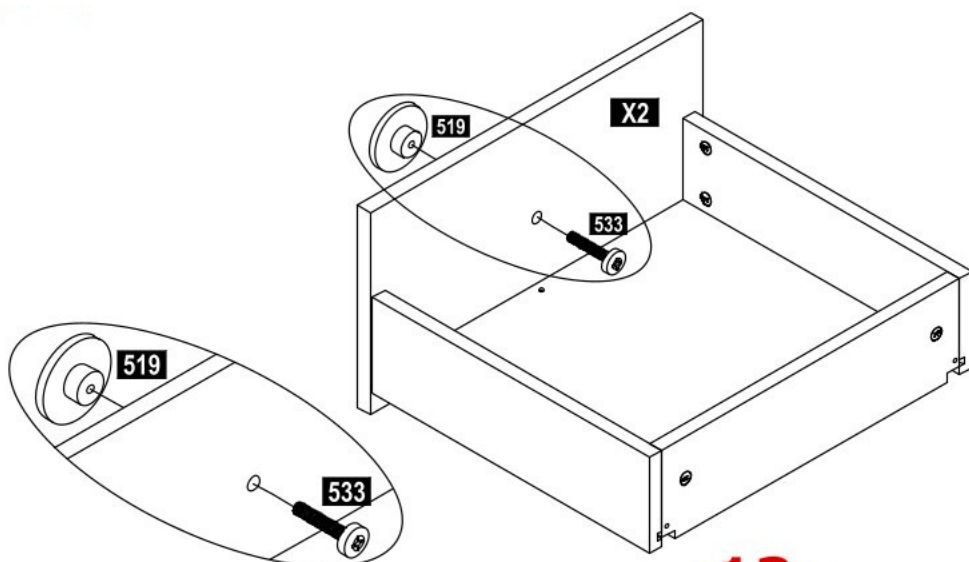
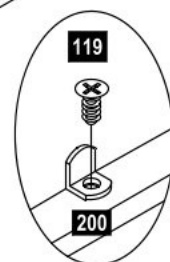
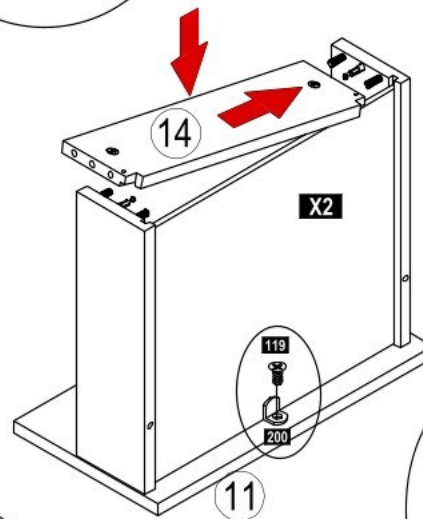
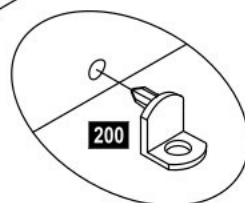
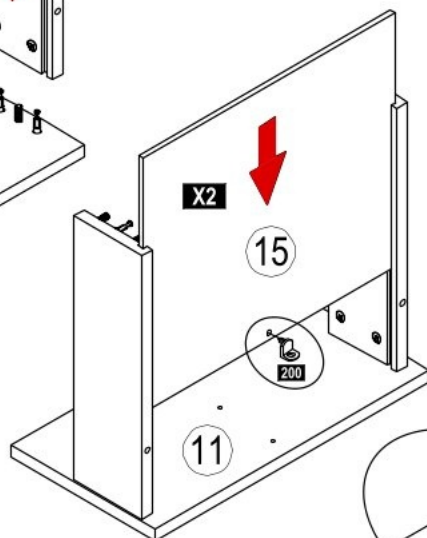
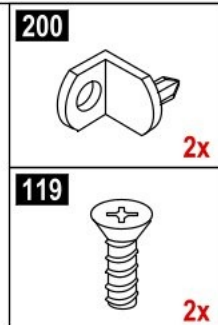
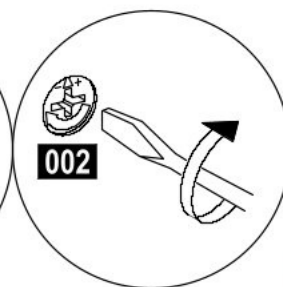
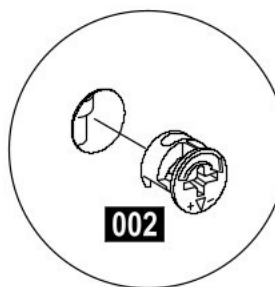
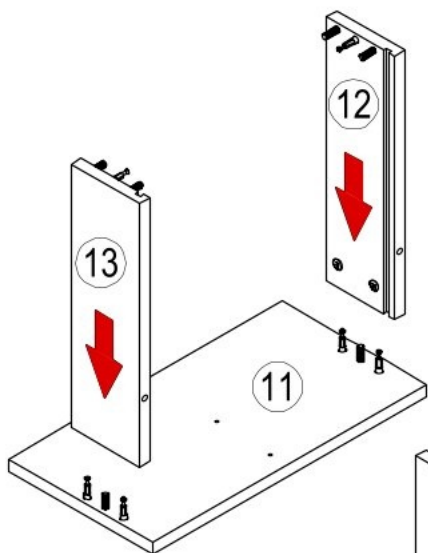
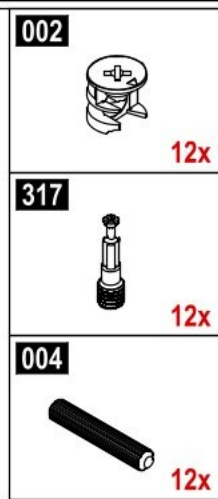
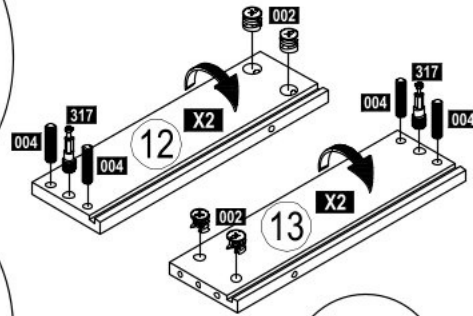
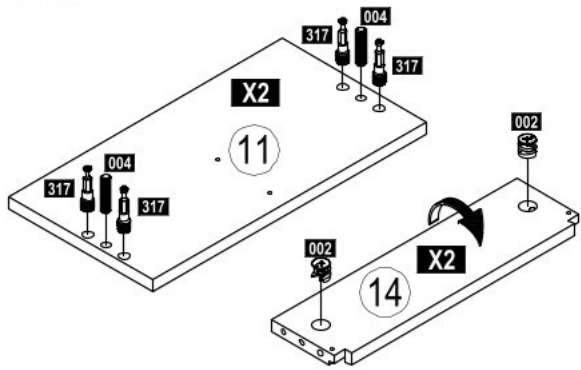
2x

119

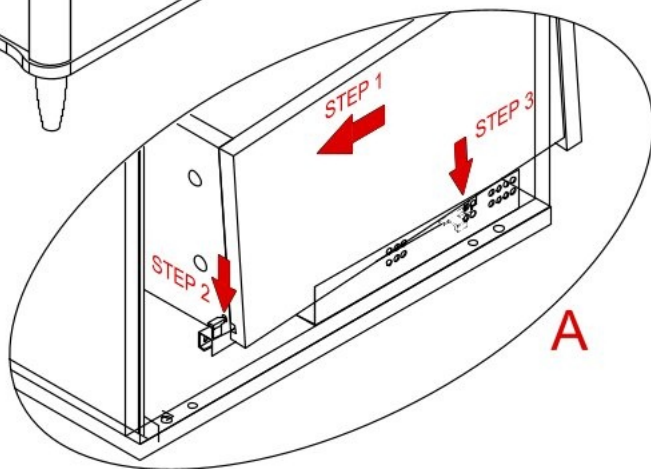
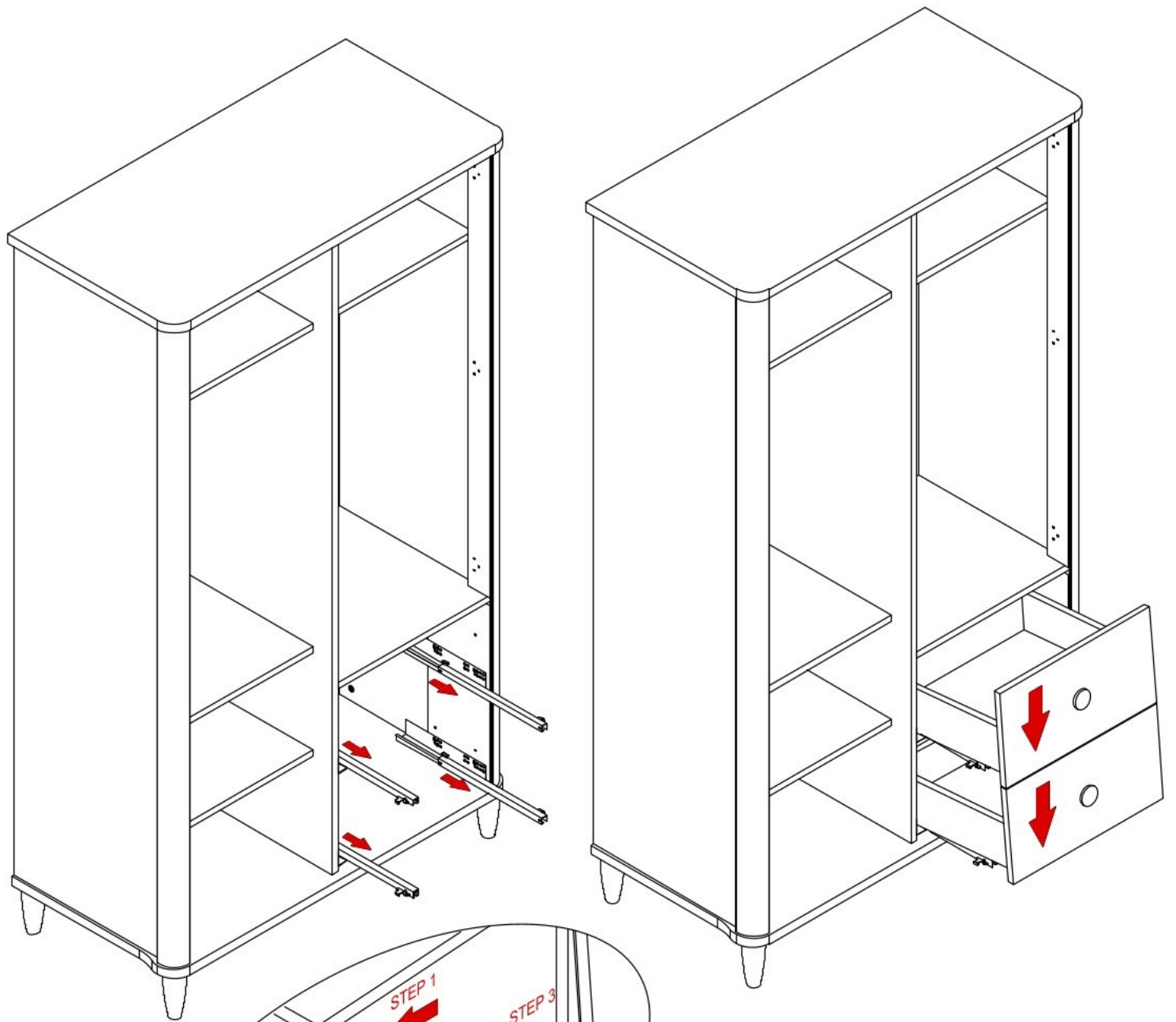


8x







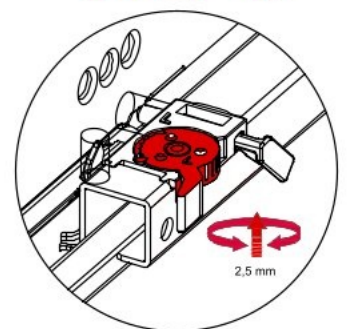
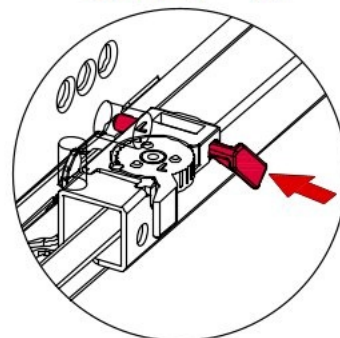
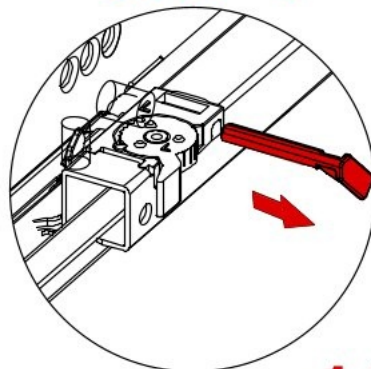
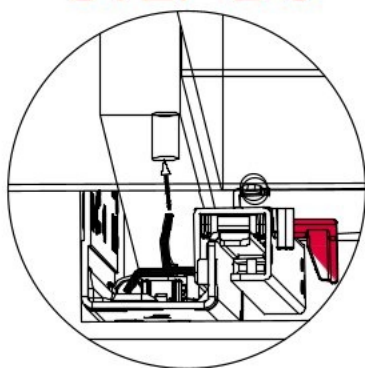


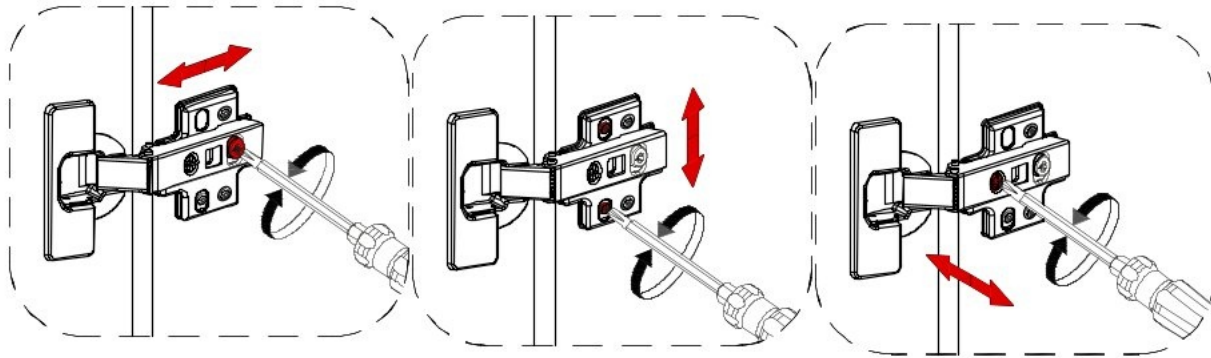
**STEP 2-3**





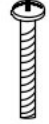
**STEP 4**

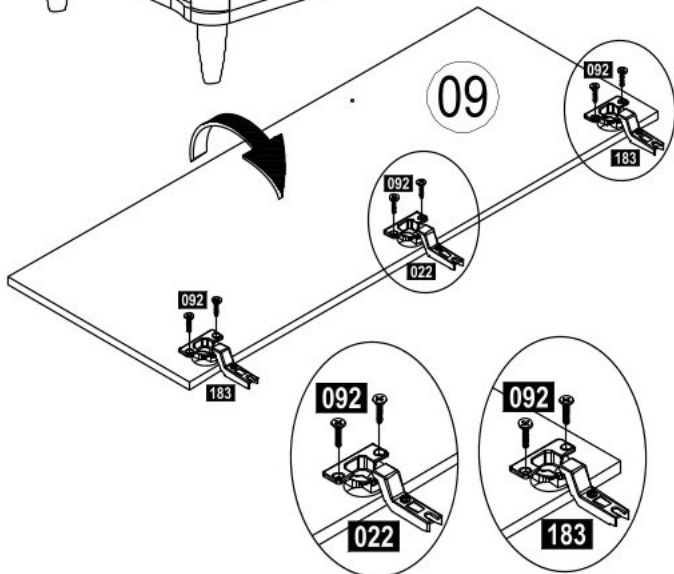
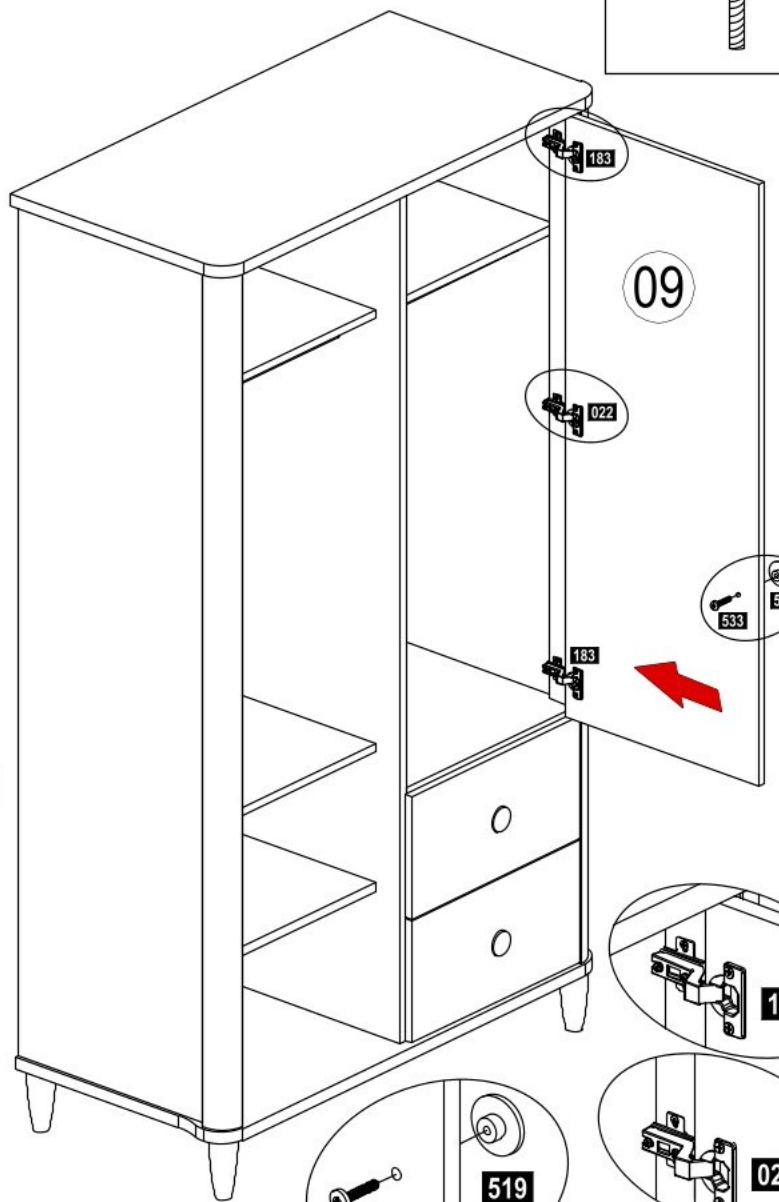
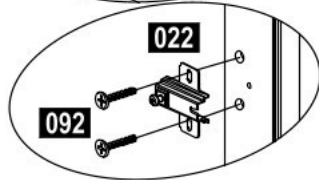
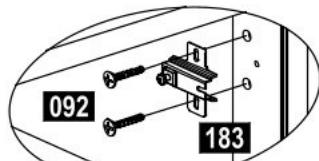
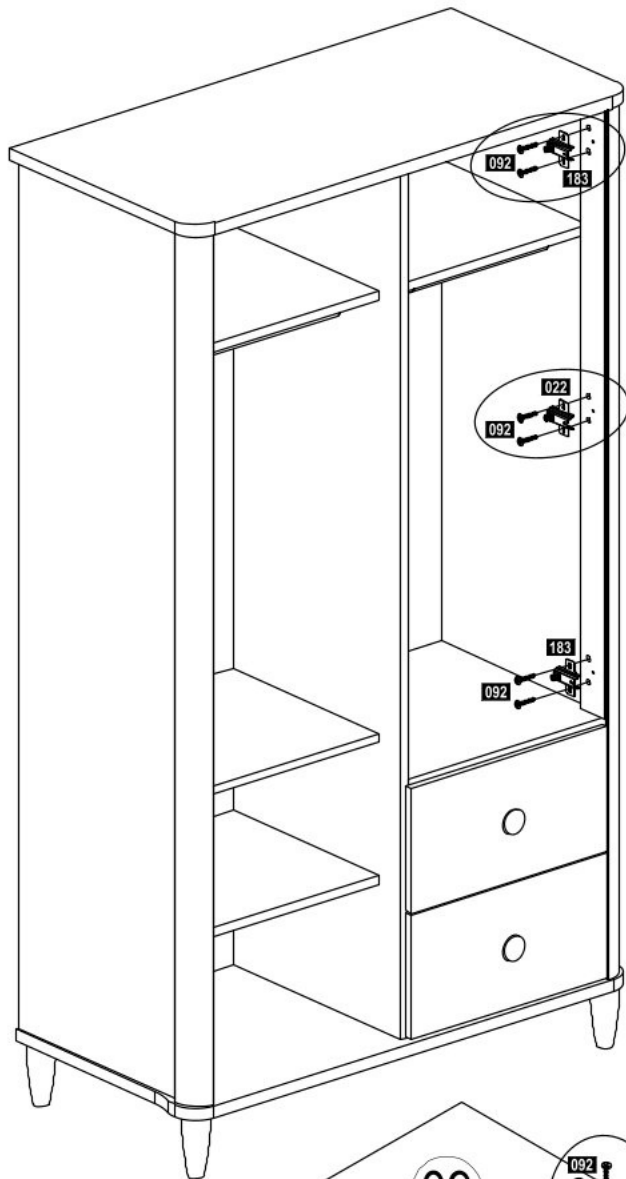
**STEP 5**

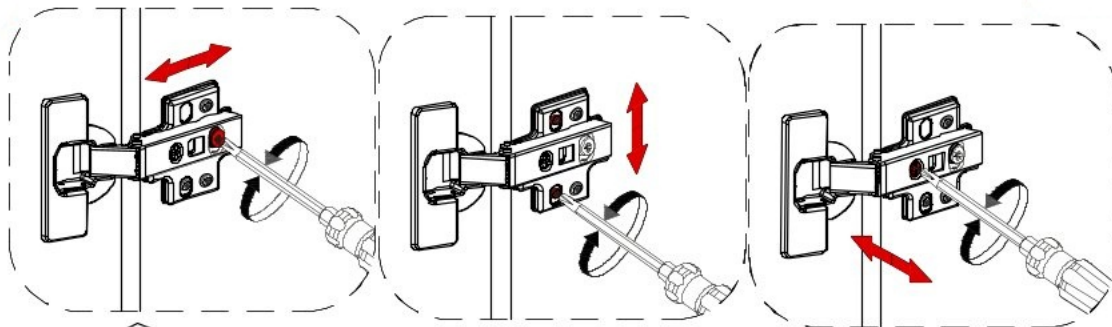
**STEP 6**





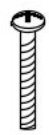


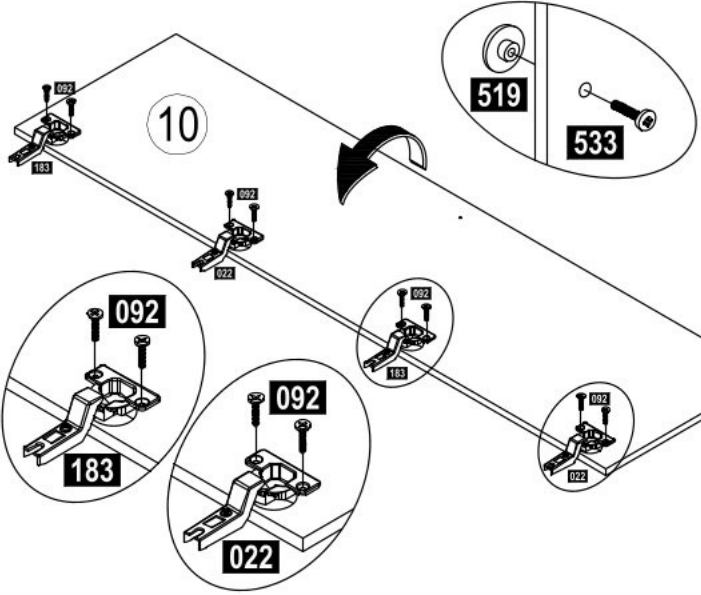
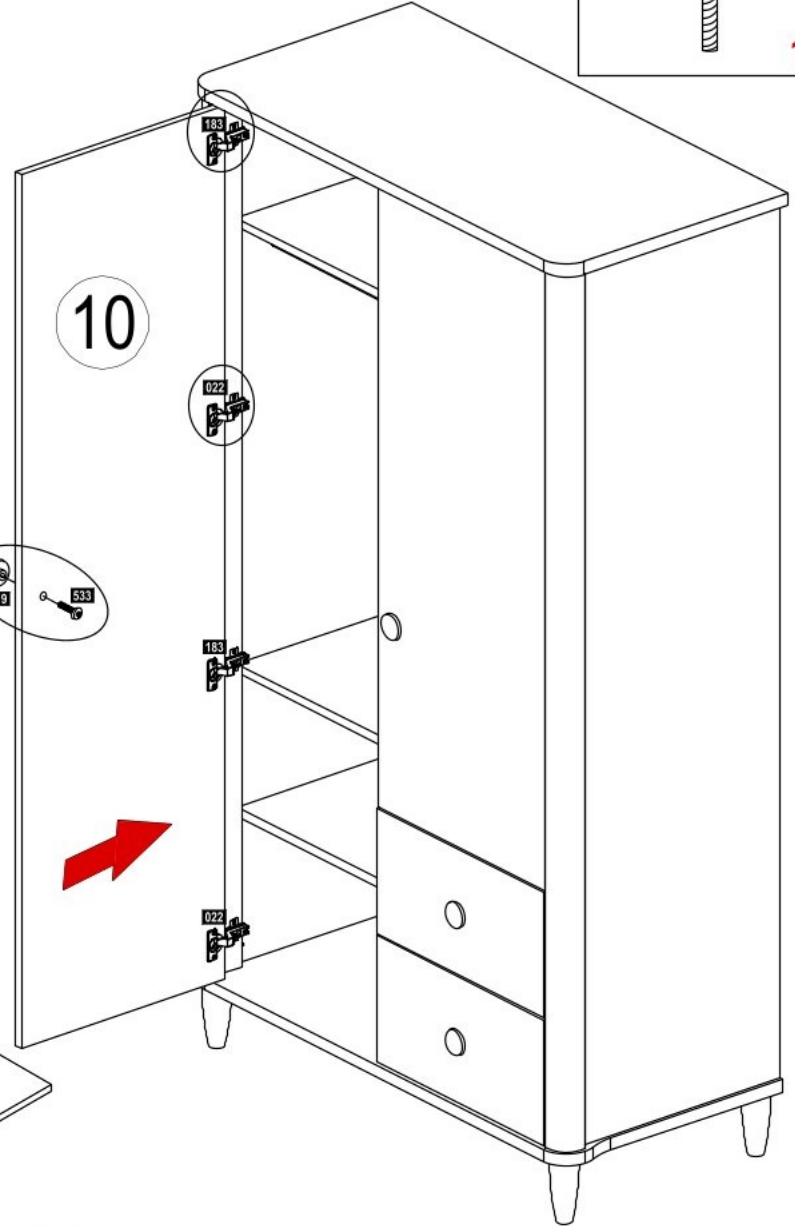
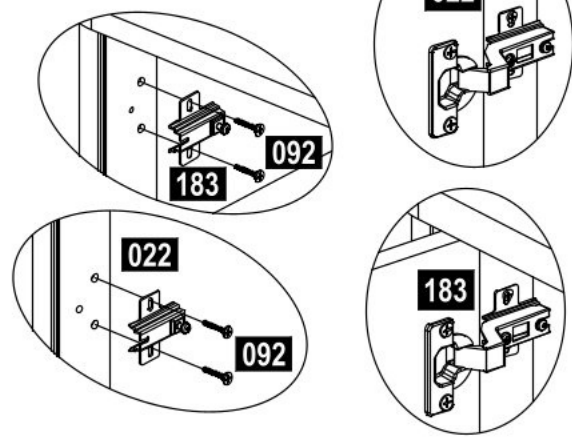
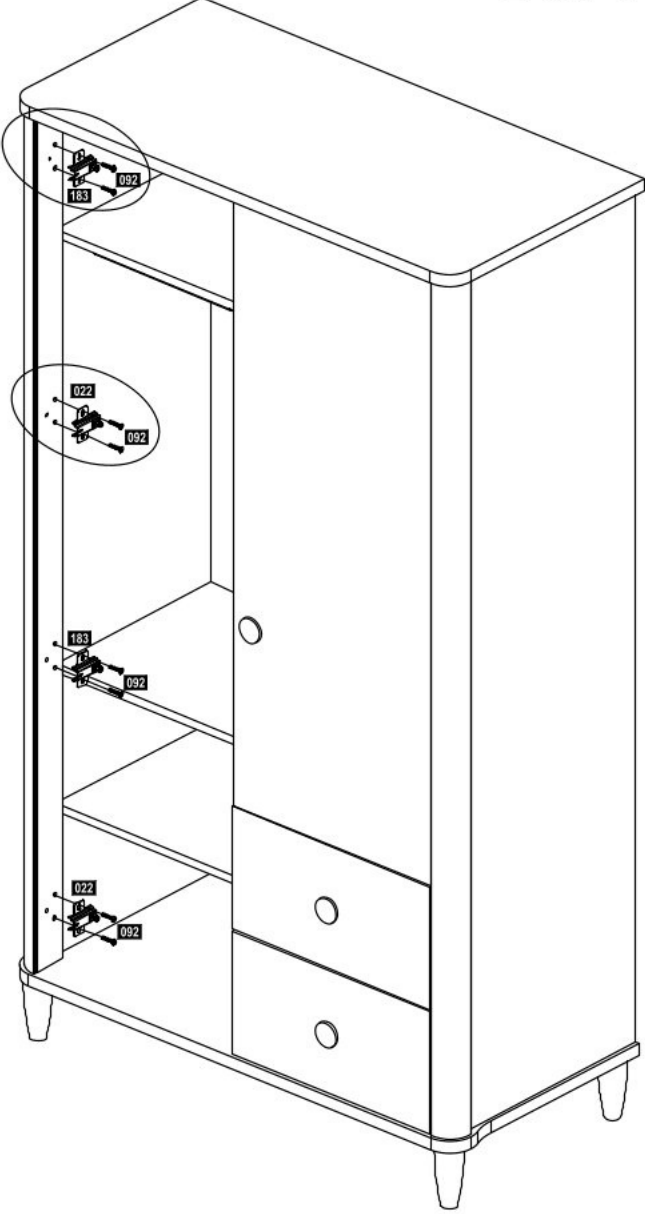


- 022**  
  
1x
- 183**  
  
2x
- 092**  
  
12x
- 519**  
  
1x
- 533**  
  
1x



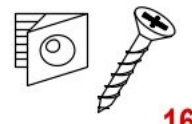


- 022**  **2x**
- 183**  **2x**
- 092**  **16x**
- 519**  **1x**
- 533**  **1x**

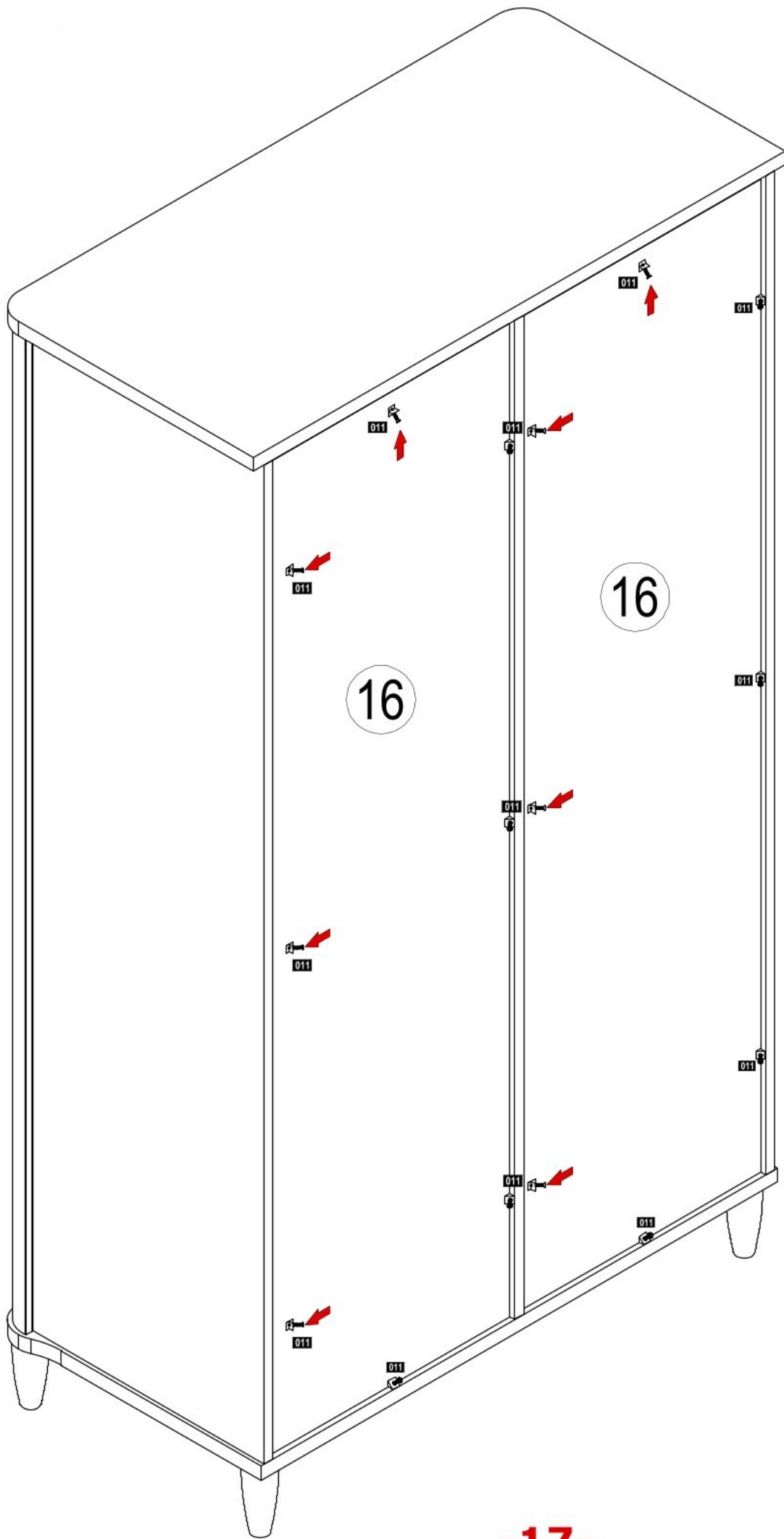




011



16x



16

16

