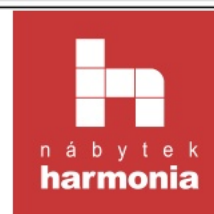
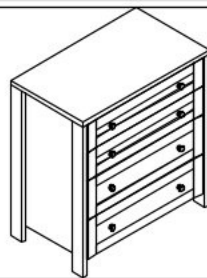











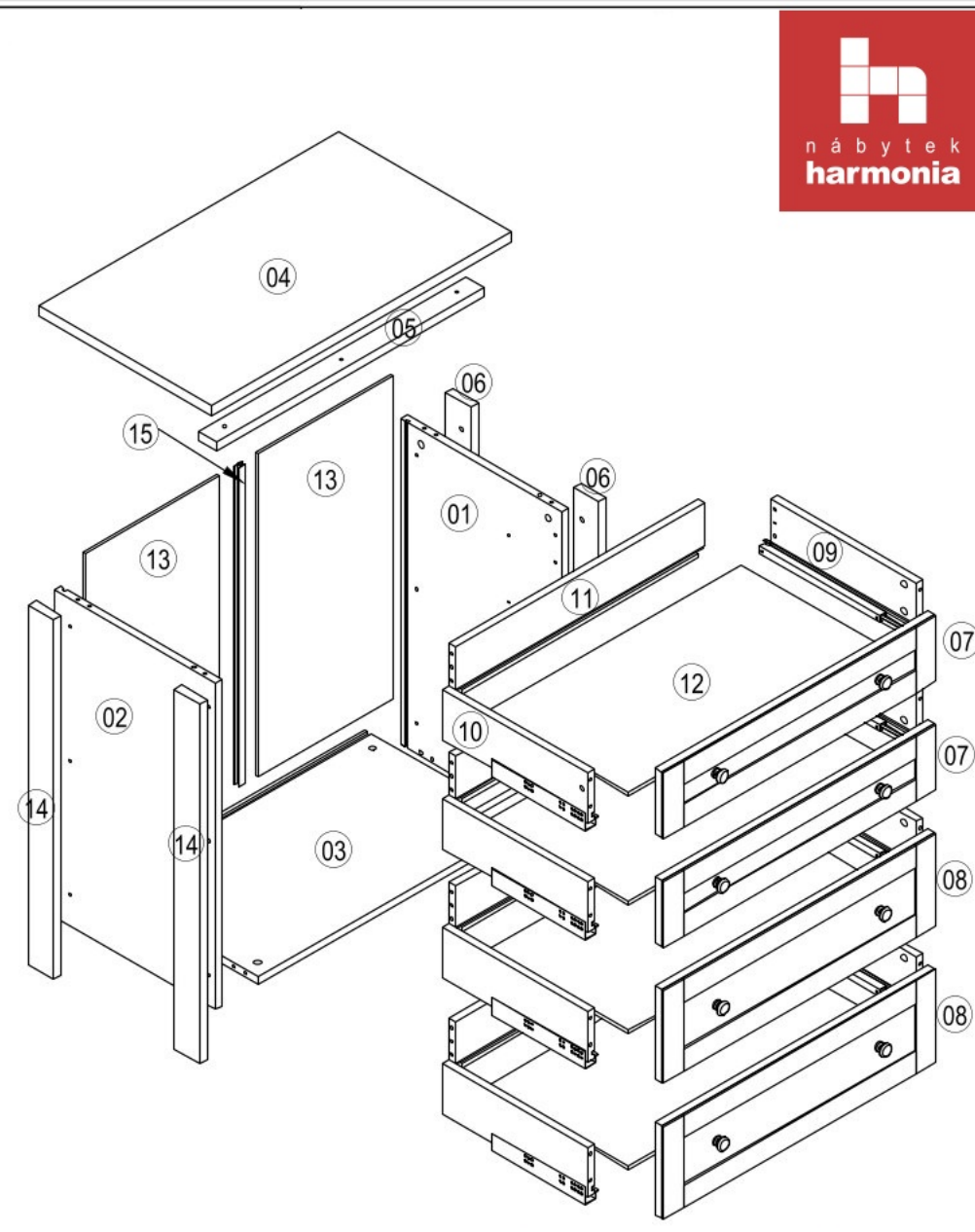


Šuplíková komoda PAXTON



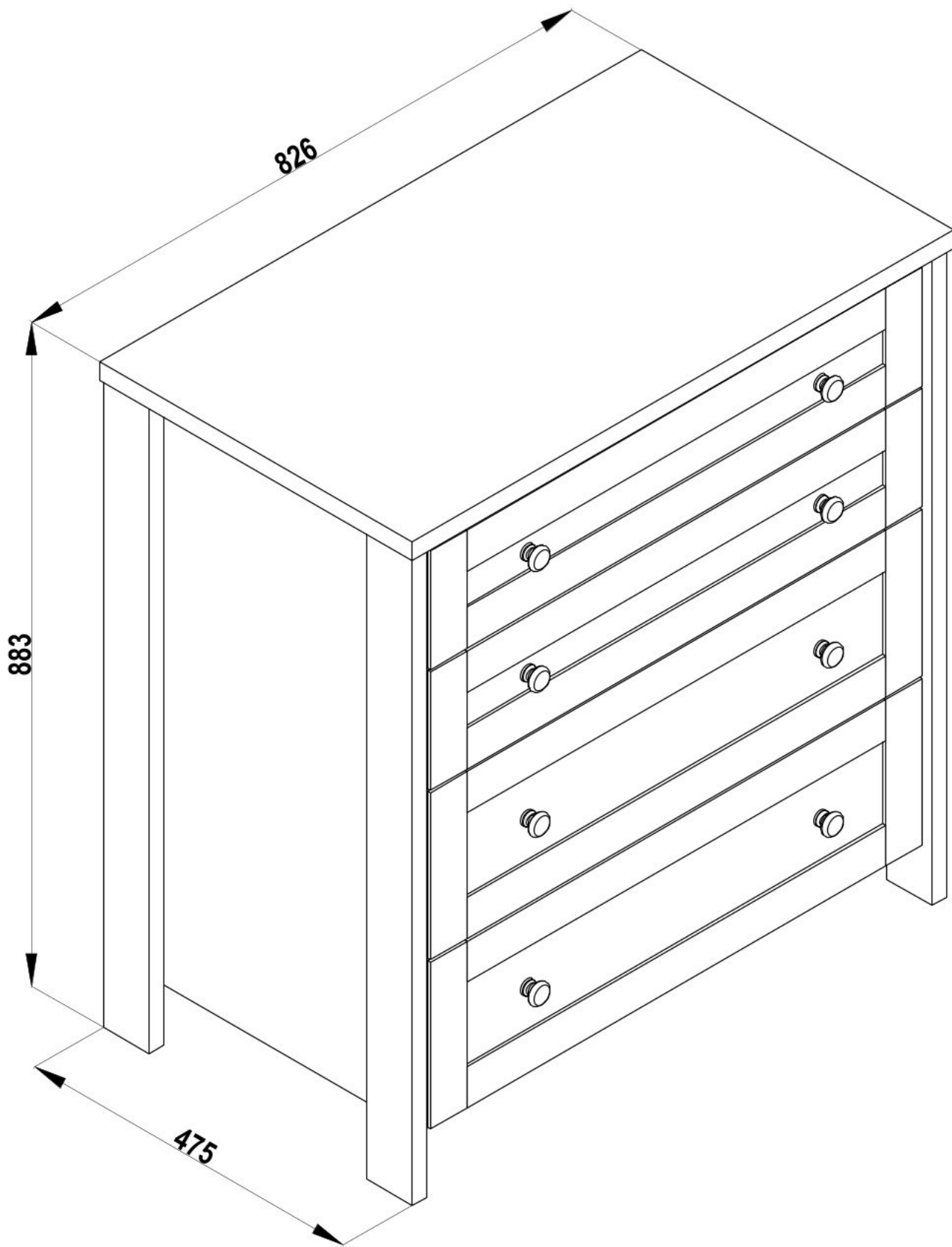
<p>ACCESSORIE NO : 317 10'LUK MİNİFİK MİL</p>  <p>32 ADET</p>	<p>ACCESSORIE NO : 002 TİTUS MİNİFİK GÖVDE</p>  <p>32 ADET</p>	<p>ACCESSORIE NO : 004 Ø8x30 KAVELA</p>  <p>32 ADET</p>	<p>ACCESSORIE NO : 011 ARKALIK SABİTLEME 3.5x25 S.VİDASI</p>  <p>8 ADET</p>	<p>ACCESSORIE NO : 020 MİNİFİK TAPA</p>  <p>16 ADET</p>
<p>ACCESSORIE NO : 351 TANDEM RAY 400 (SAMET)</p>  <p>4 TAKIM</p>	<p>ACCESSORIE NO : 120 6.3*13 MM EURO VİDA</p>  <p>24 ADET</p>	<p>ACCESSORIE NO : 406 PLS. RAF PİMİ EURO VİDALI</p>  <p>8 ADET</p>	<p>ACCESSORIE NO : 636 M6*30 PH YILDIZ BAŞLI VİDA</p>  <p>15 ADET</p>	<p>ACCESSORIE NO : 481 OSLO TEKLİ KULP</p>  <p>8 ADET</p>
				<p>ACCESSORIE NO : 104 M4*25 MM VİDA</p>  <p>8 ADET</p>

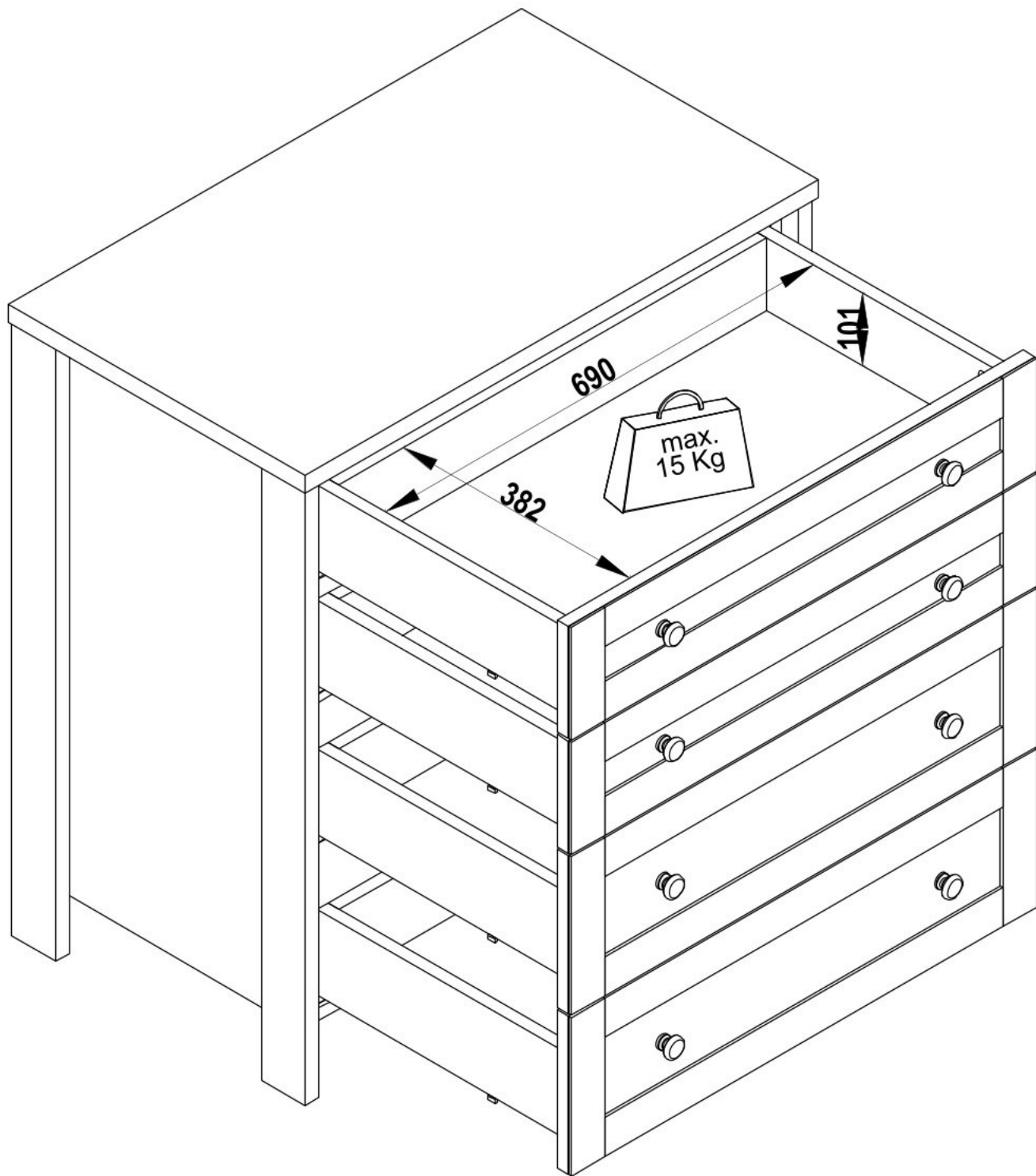


NO	ADET/PCS	ÖLÇÜ/DIMENSIONS	NO	ADET/PCS	ÖLÇÜ/DIMENSIONS	NO	ADET/PCS	ÖLÇÜ/DIMENSIONS
01	1	778 x 445	11	4	690 x 120			
02	1	778 x 445	12	4	700 x 387			
03	1	736 x 445	13	2	771 x 370			
04	1	826 x 475	14	2	853 x 70			
05	1	736 x 60	15	1	760 x 26			
06	2	853 x 70						
07	2	751 x 157						
08	2	751 x 221						
09	4	400 x 120						
10	4	400 x 120						

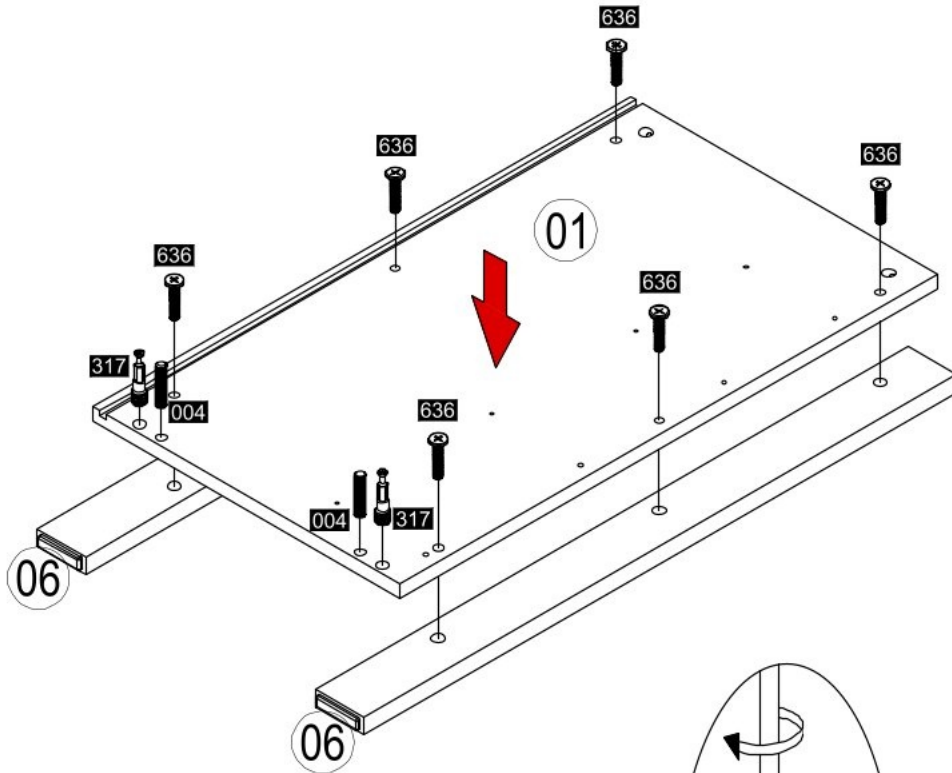
PLEASE ORDER THE ACCESSORIES ACCORDING TO THE REFERENCE NUMBER ON THE DRAWING(EXAMPLE ACCESSORIE NO-008 RAFIX MİL 1.PCS.)

PLEASE ORDER THE SPARE PARTS ACCORDING TO THE REFERENCE NUMBER ON THE DRAWING

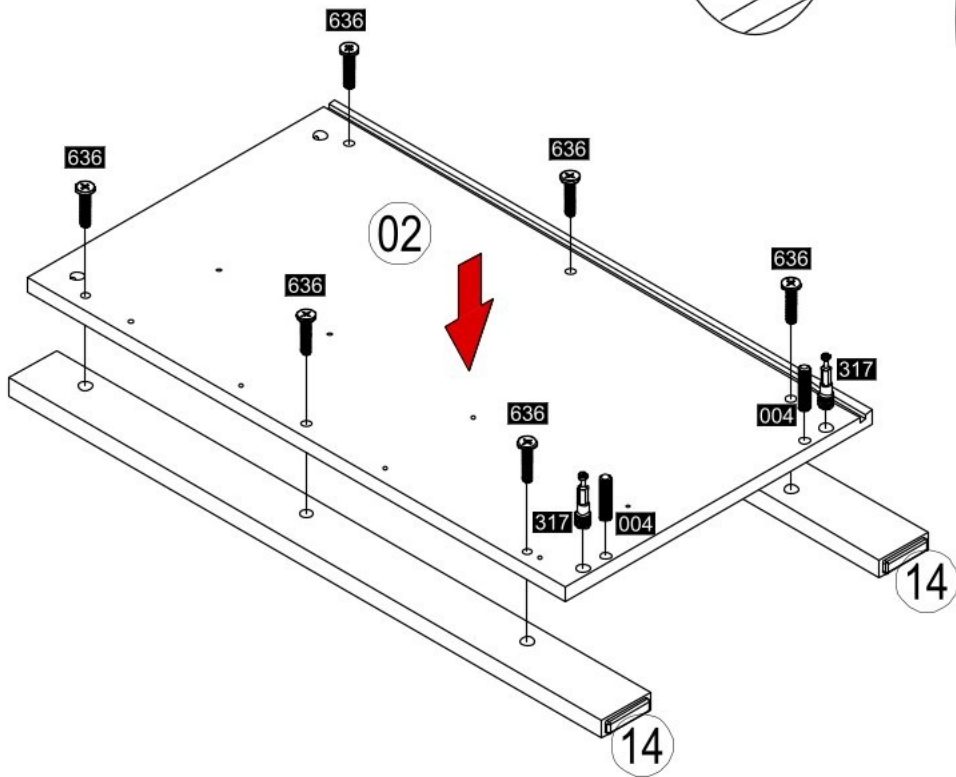
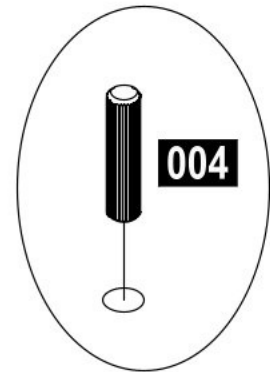
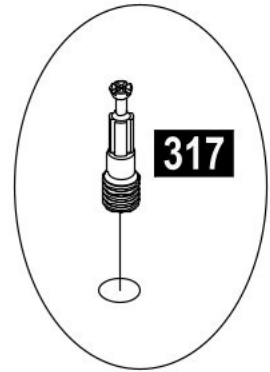
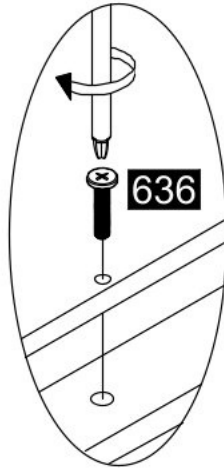





1

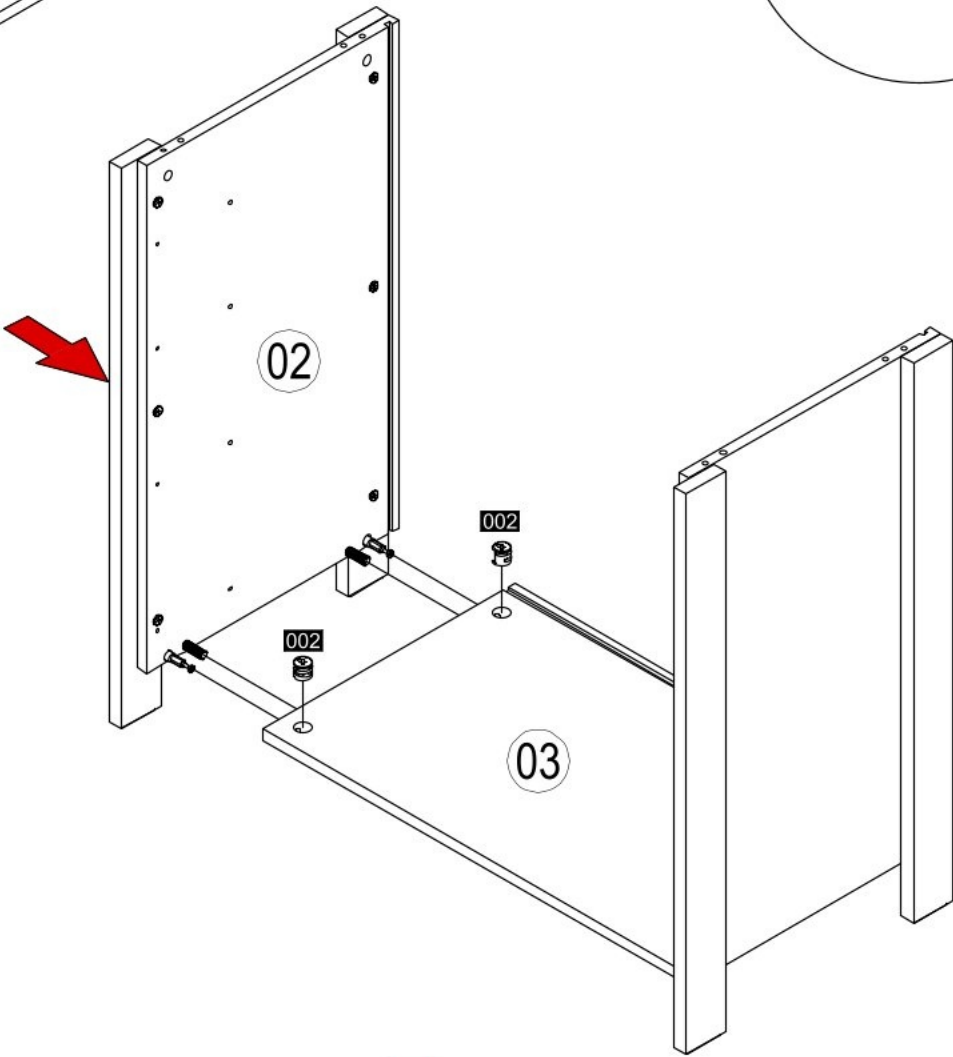
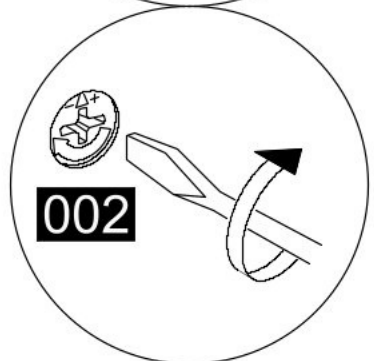
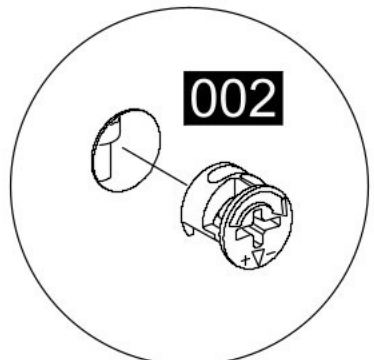
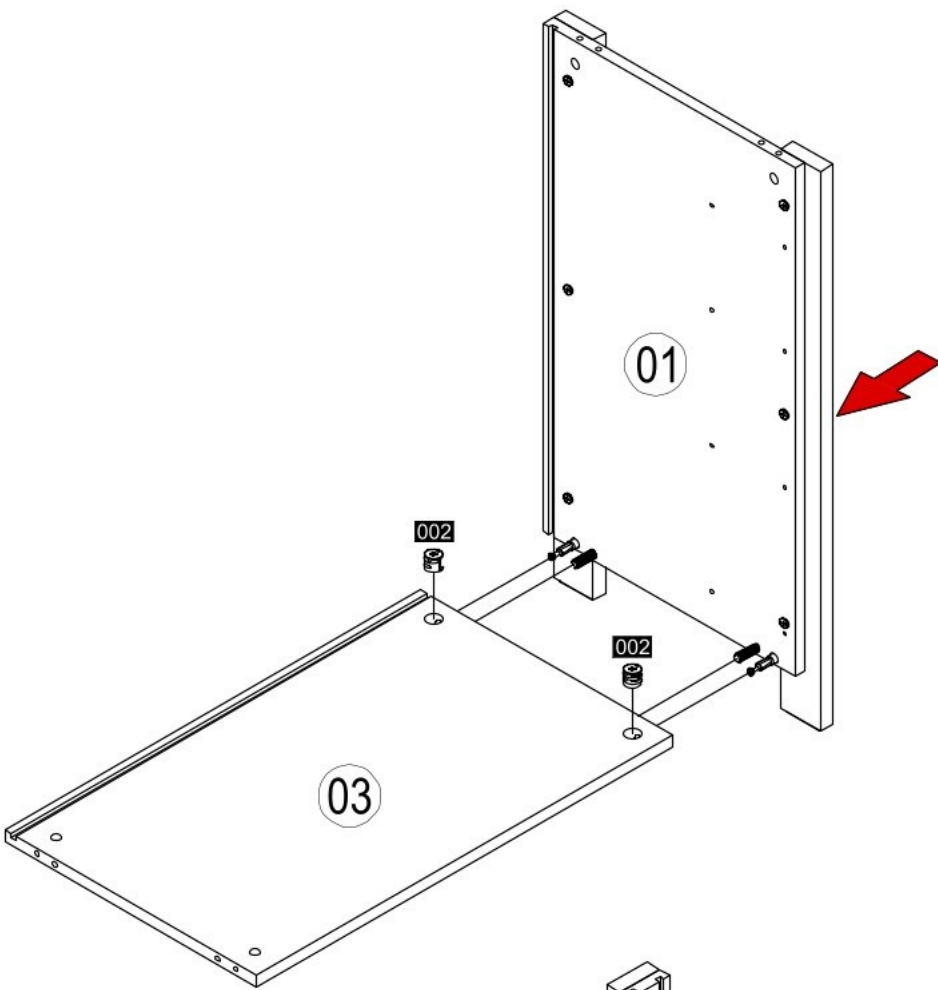


- 317 4x
- 004 4x
- 636 12x

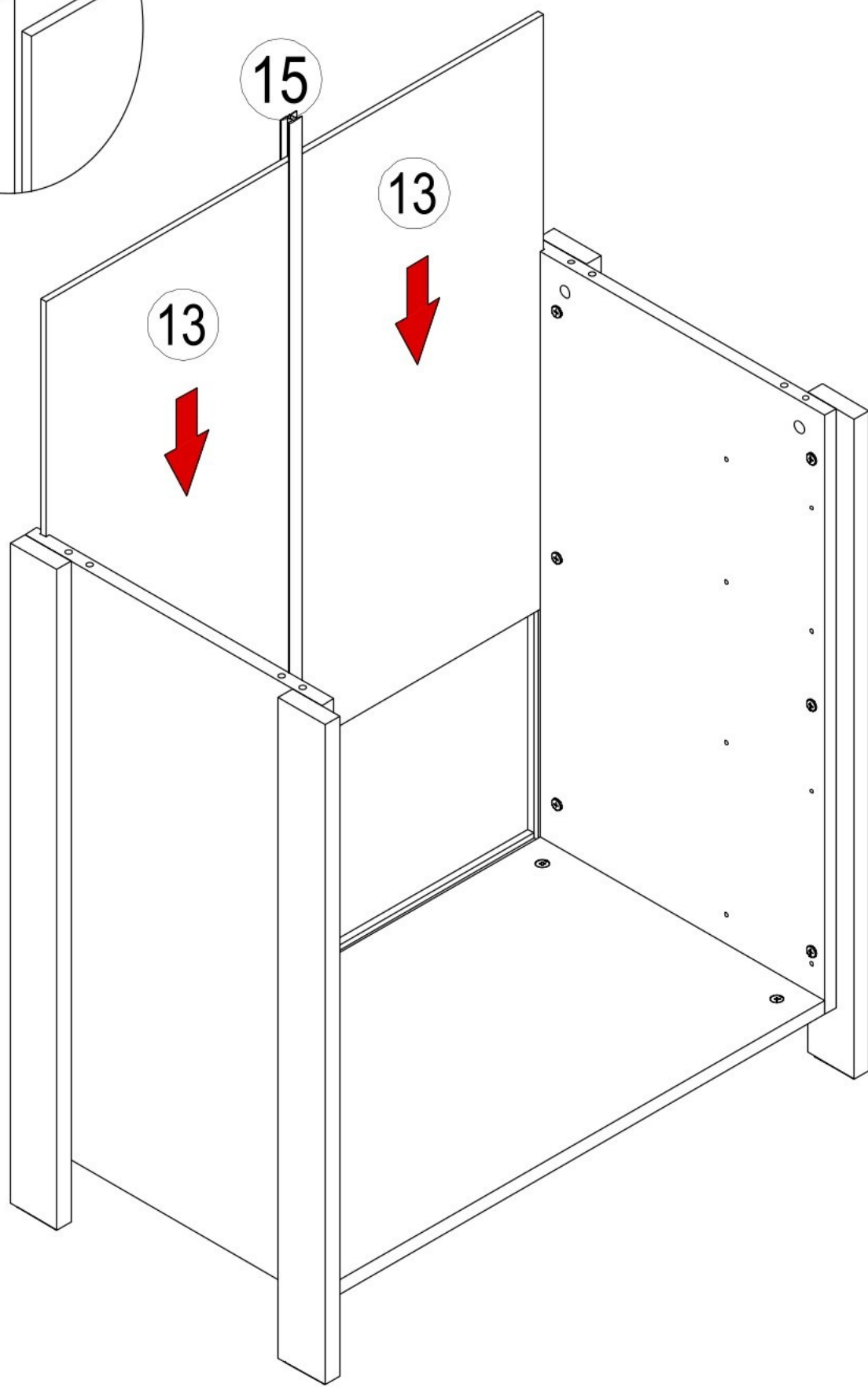
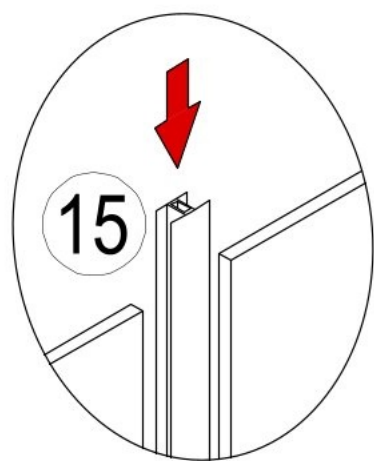


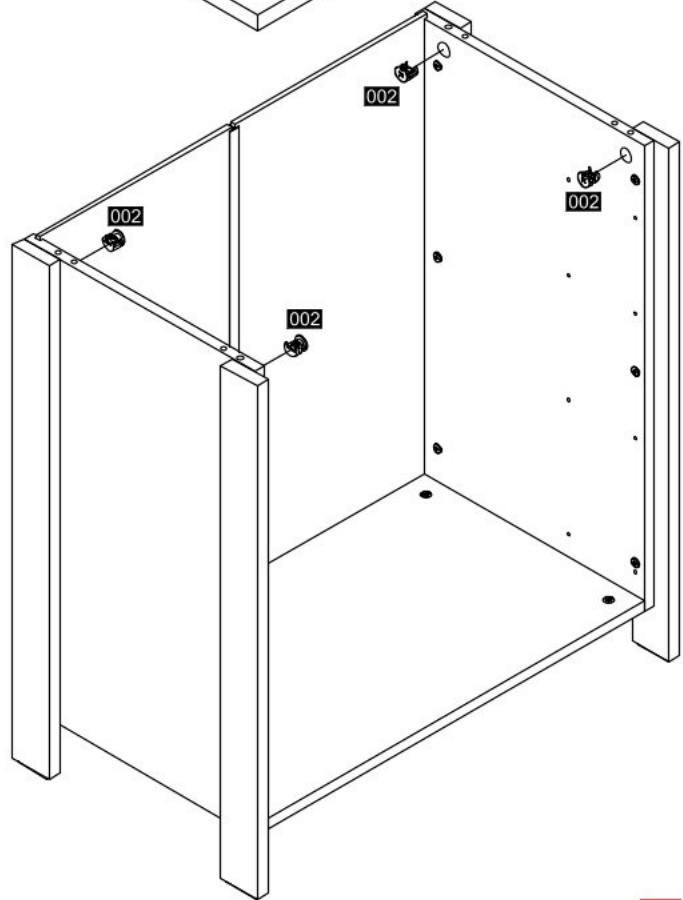
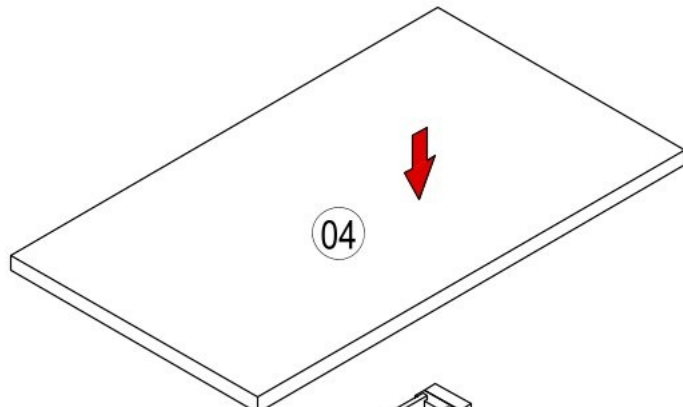
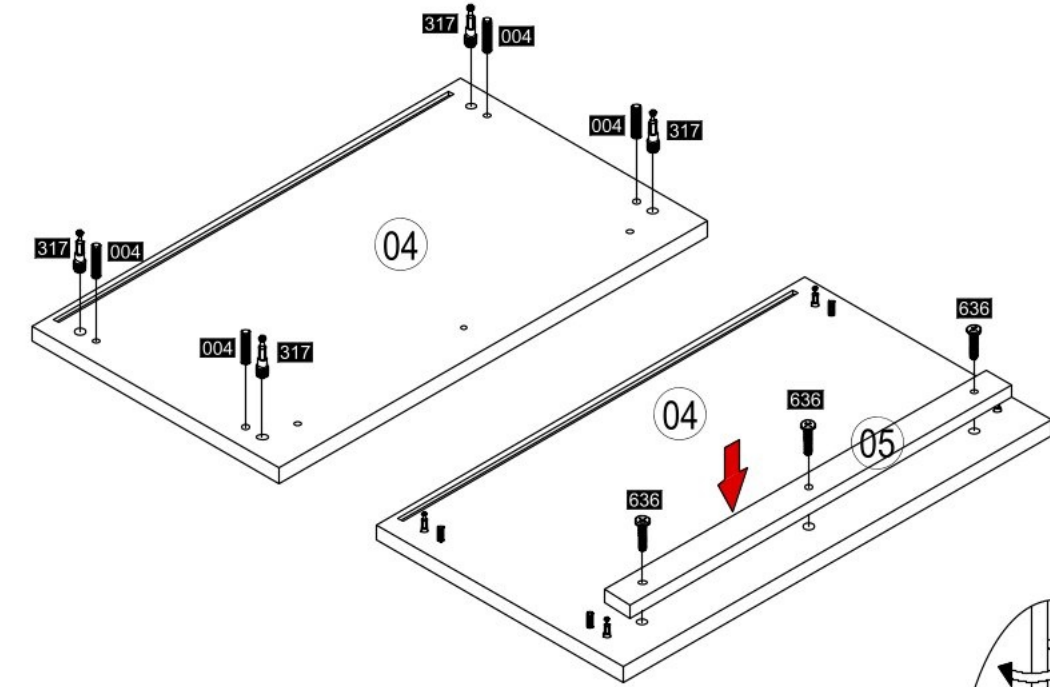
2





002  4x

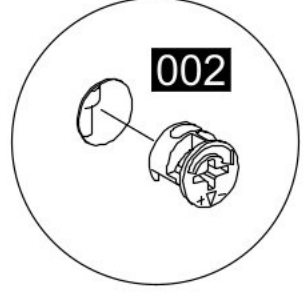
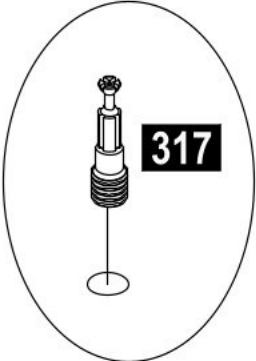
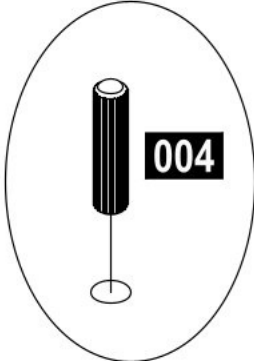
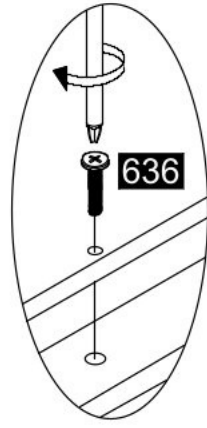


3

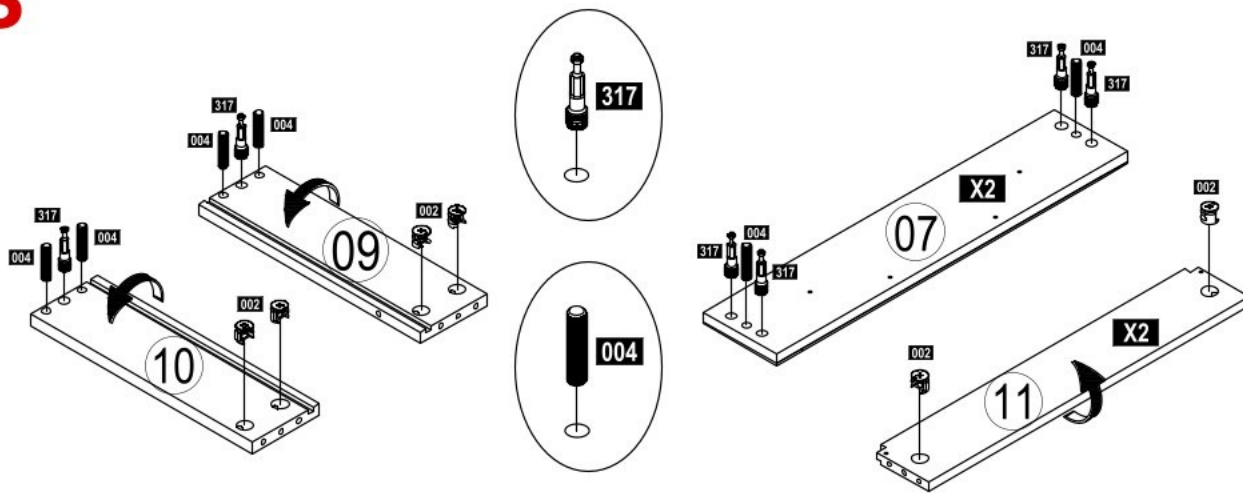




- 002  4x
- 317  4x
- 004  4x
- 636  3x

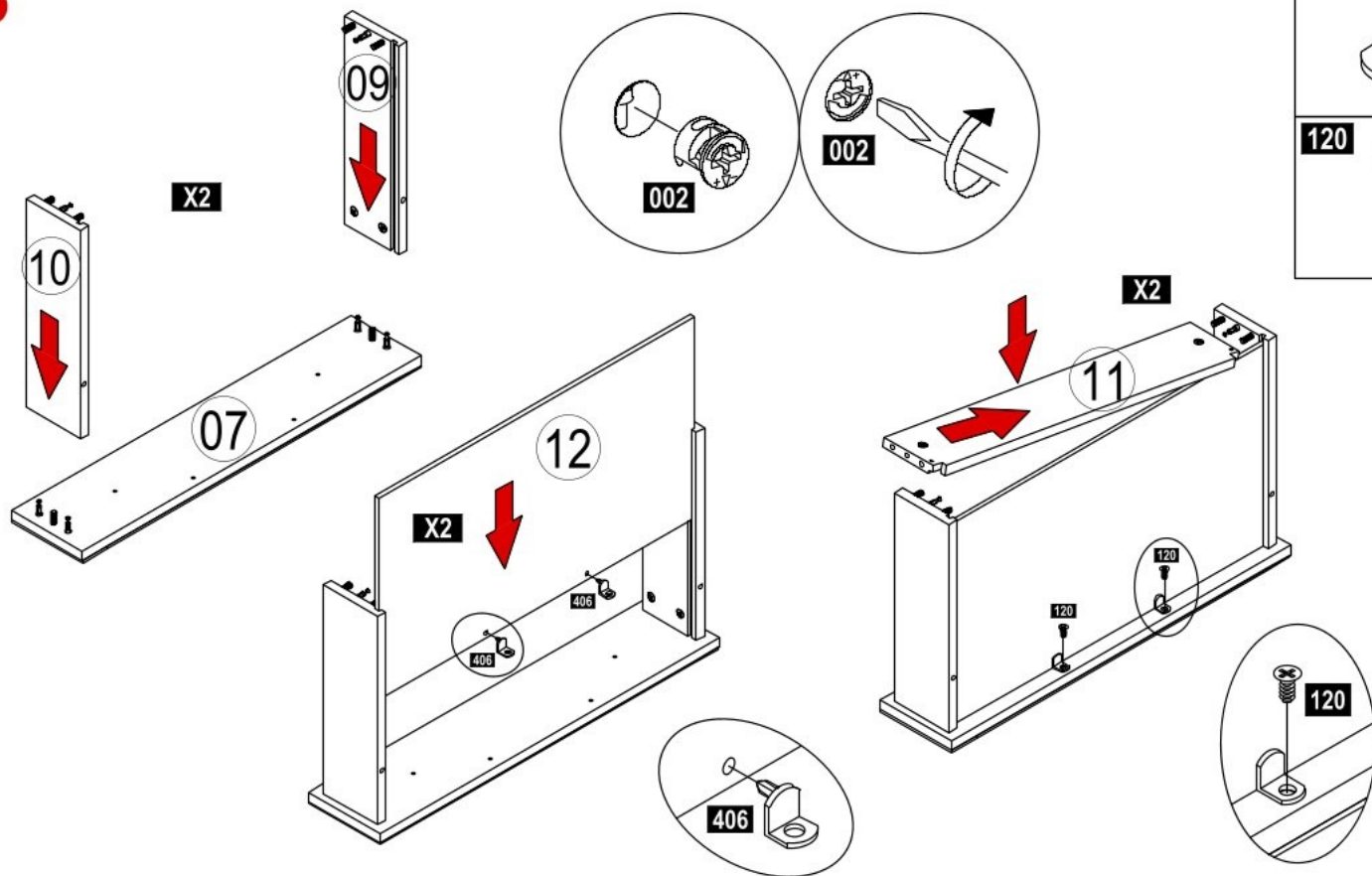


5



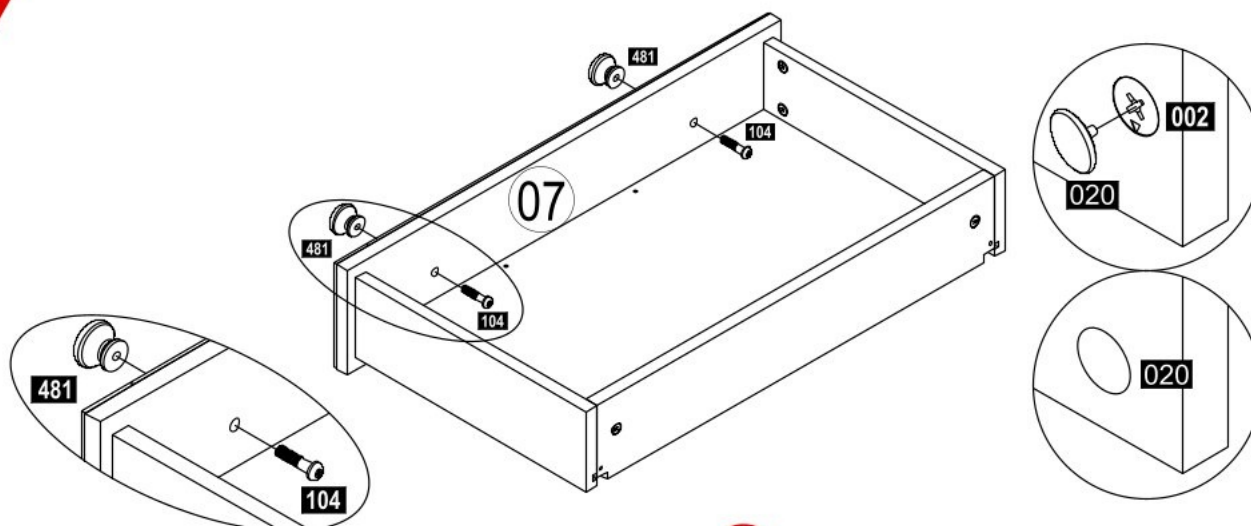
- 002** 12x
- 317** 12x
- 004** 12x

6



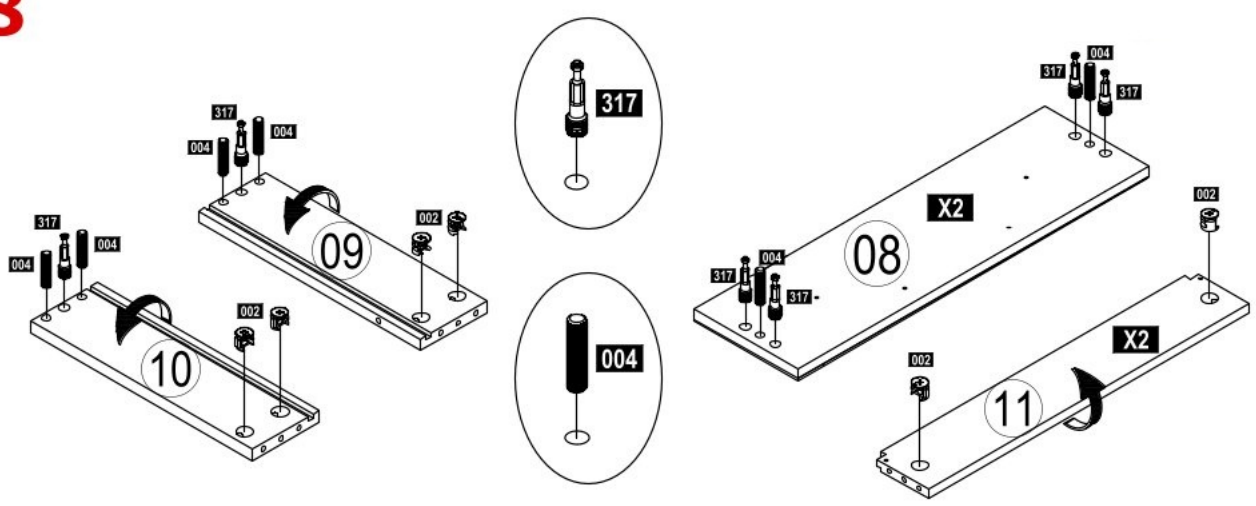
- 406** 4x
- 120** 4x

7



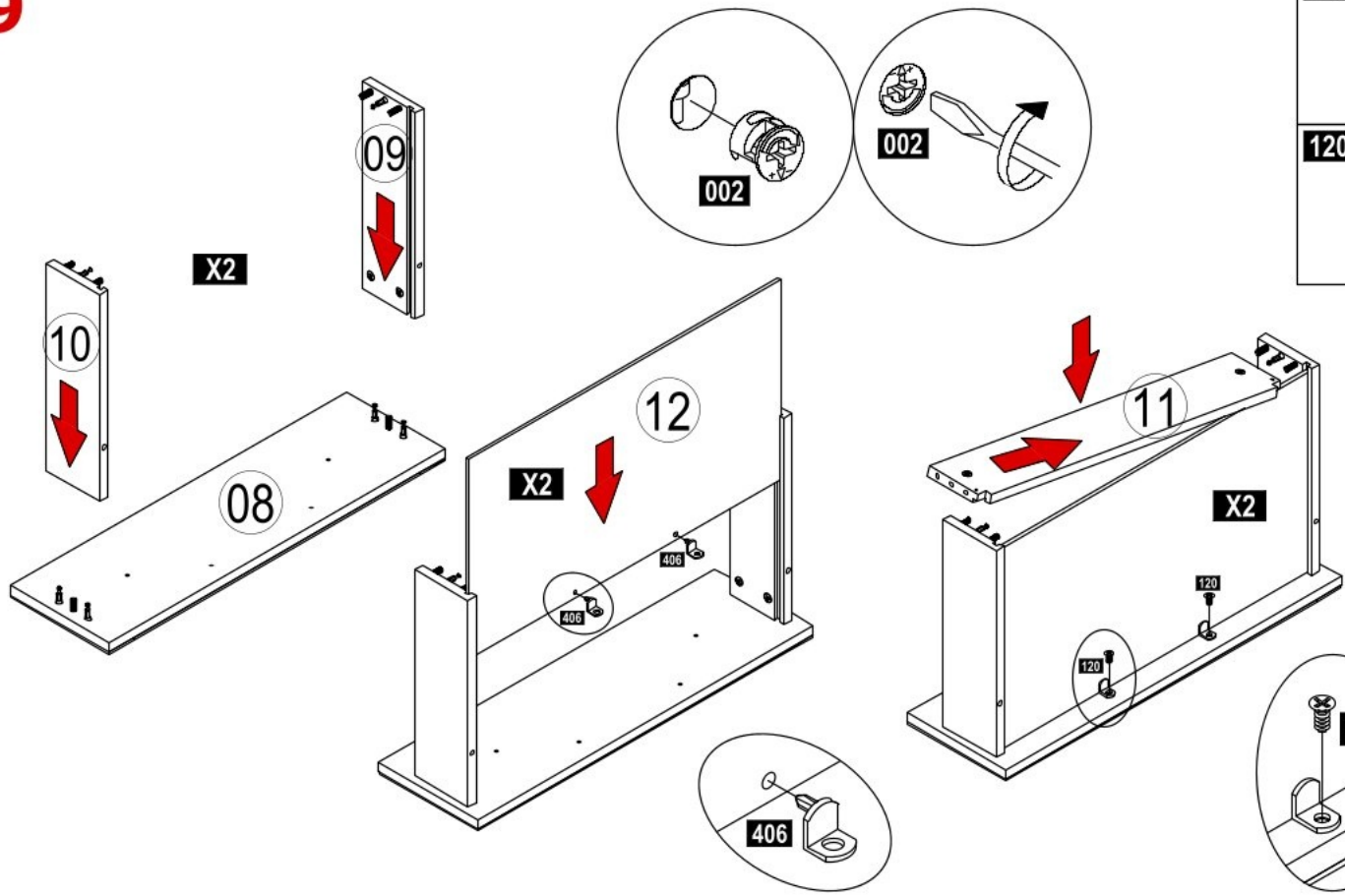
- 481** 4x
- 104** 4x
- 020** 8x

8



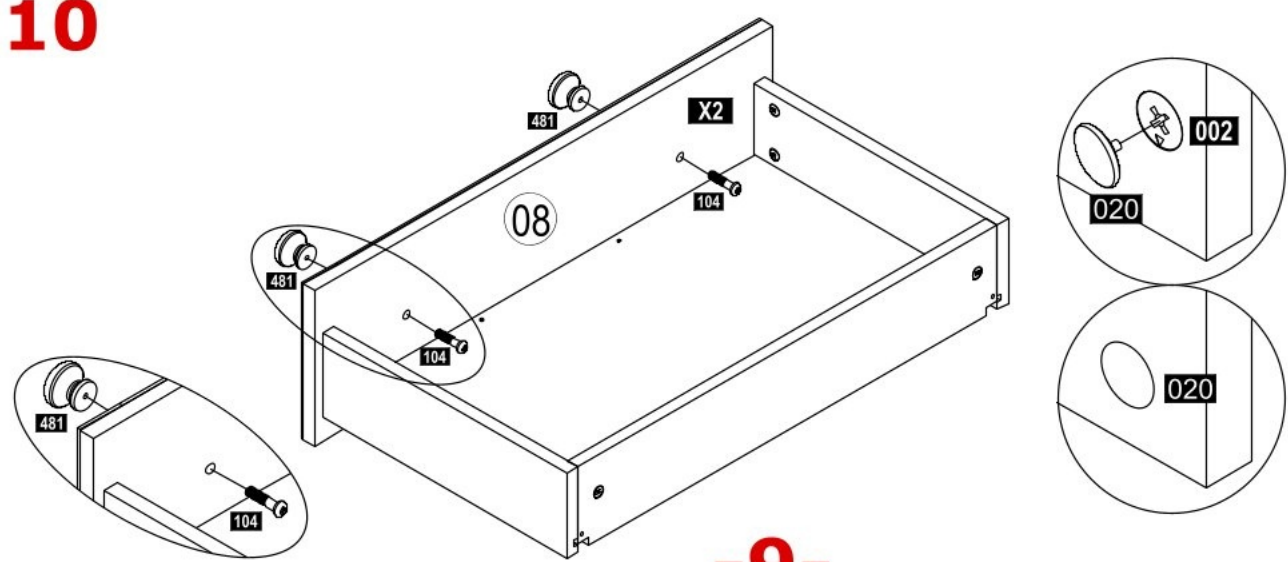
- 002** 12x
- 317** 12x
- 004** 12x

9



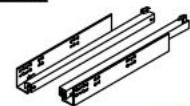
- 406** 4x
- 120** 4x

10



- 481** 4x
- 104** 4x
- 020** 8x

351

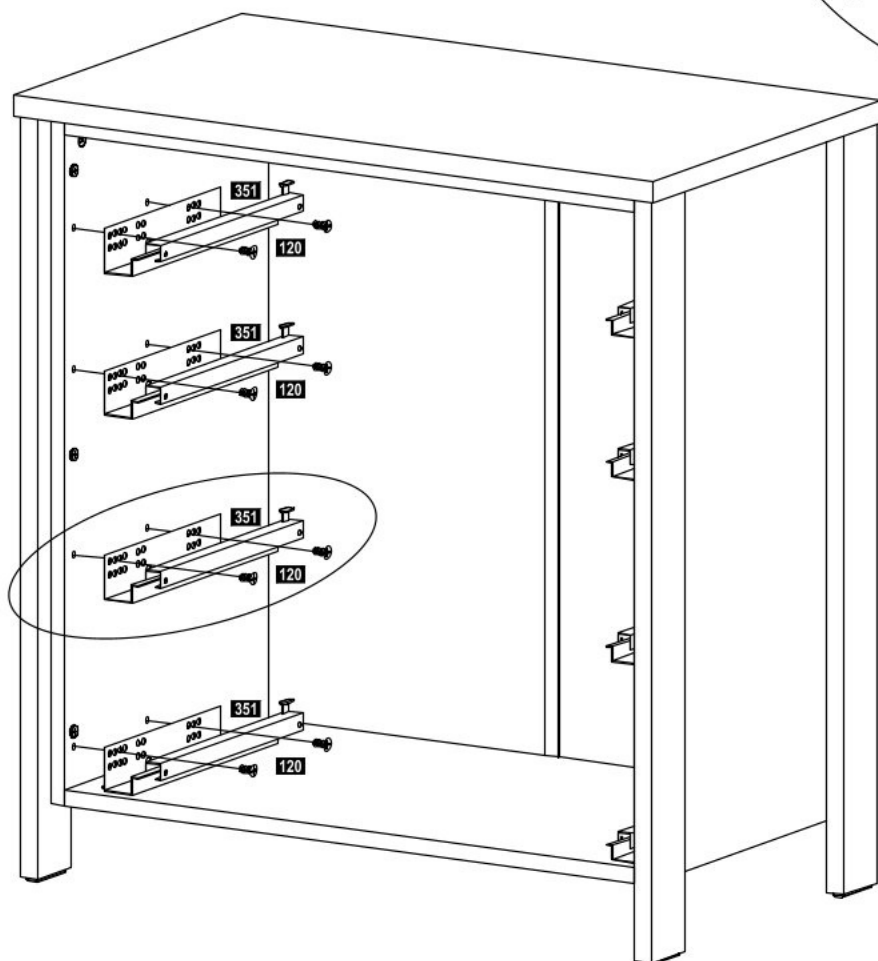
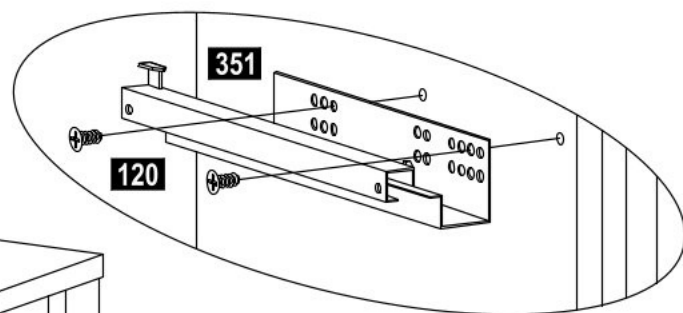
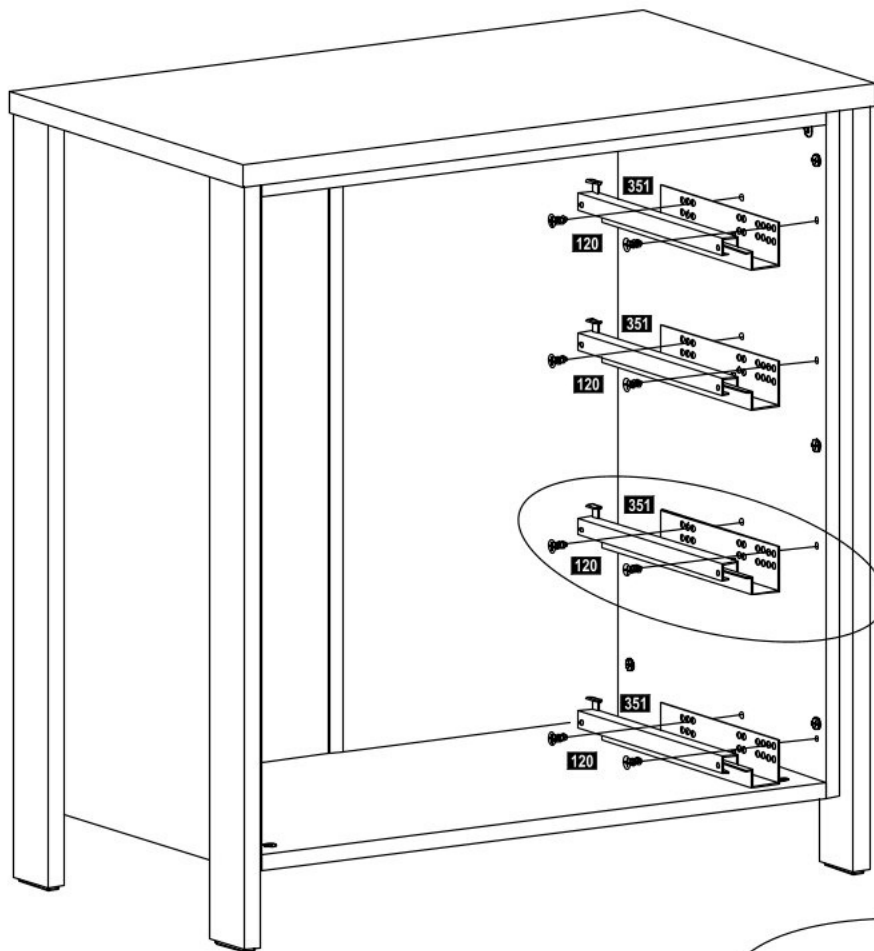


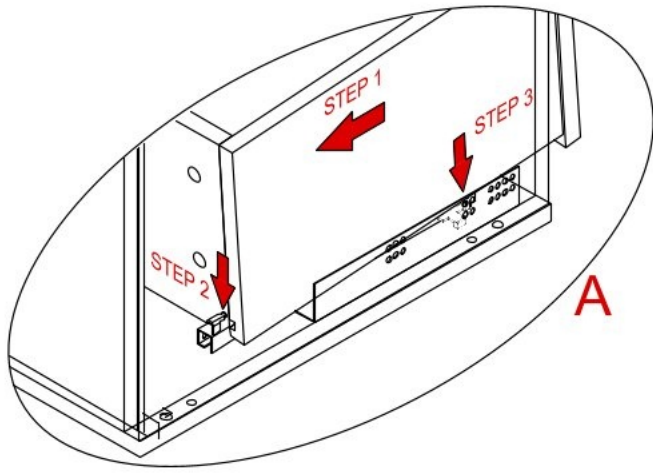
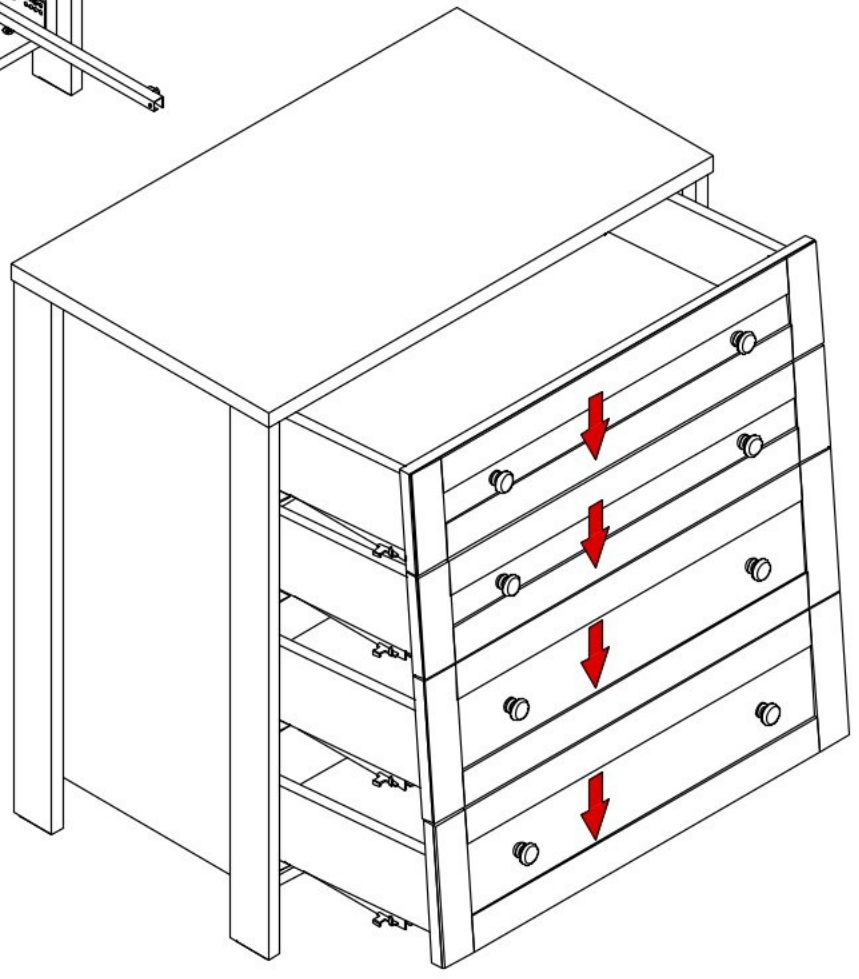
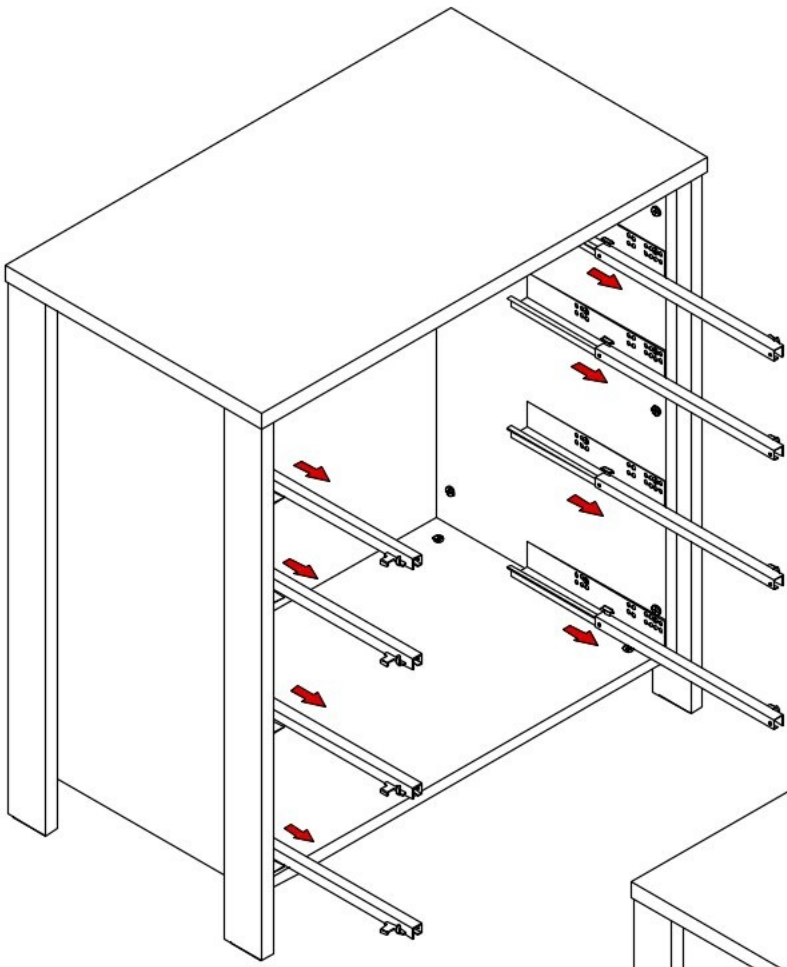
4x

120

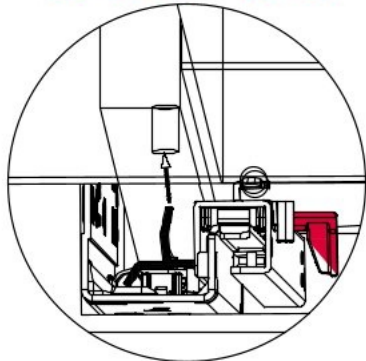


16x

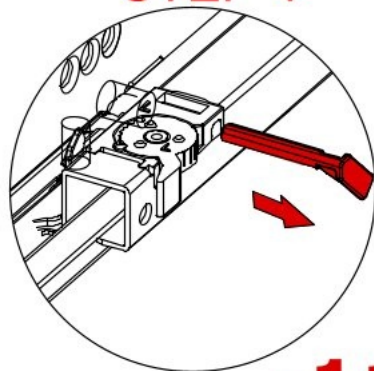




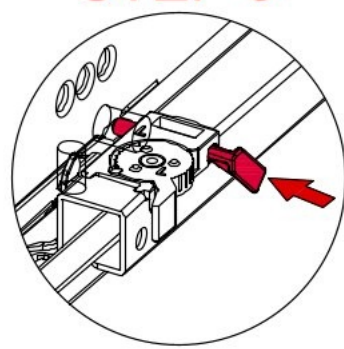
STEP 2-3



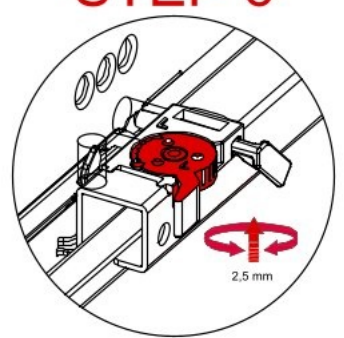
STEP 4



STEP 5



STEP 6



011



8x

