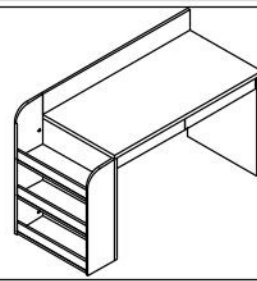
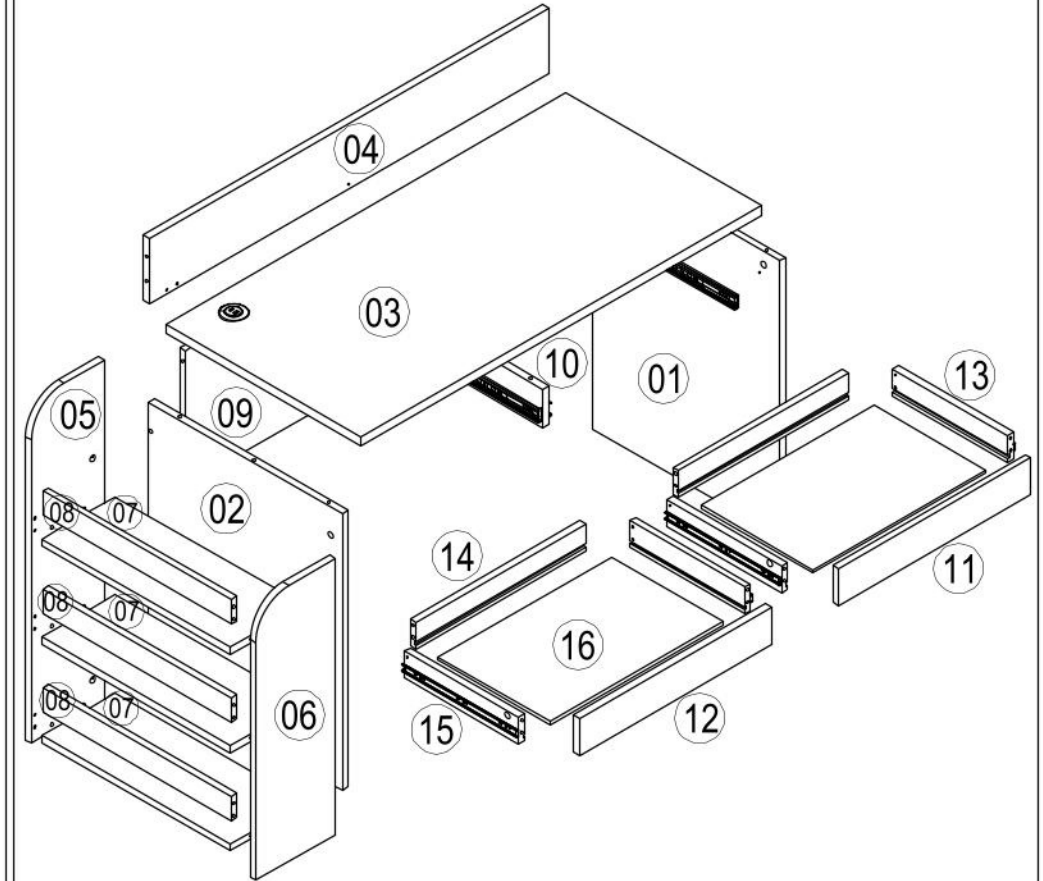


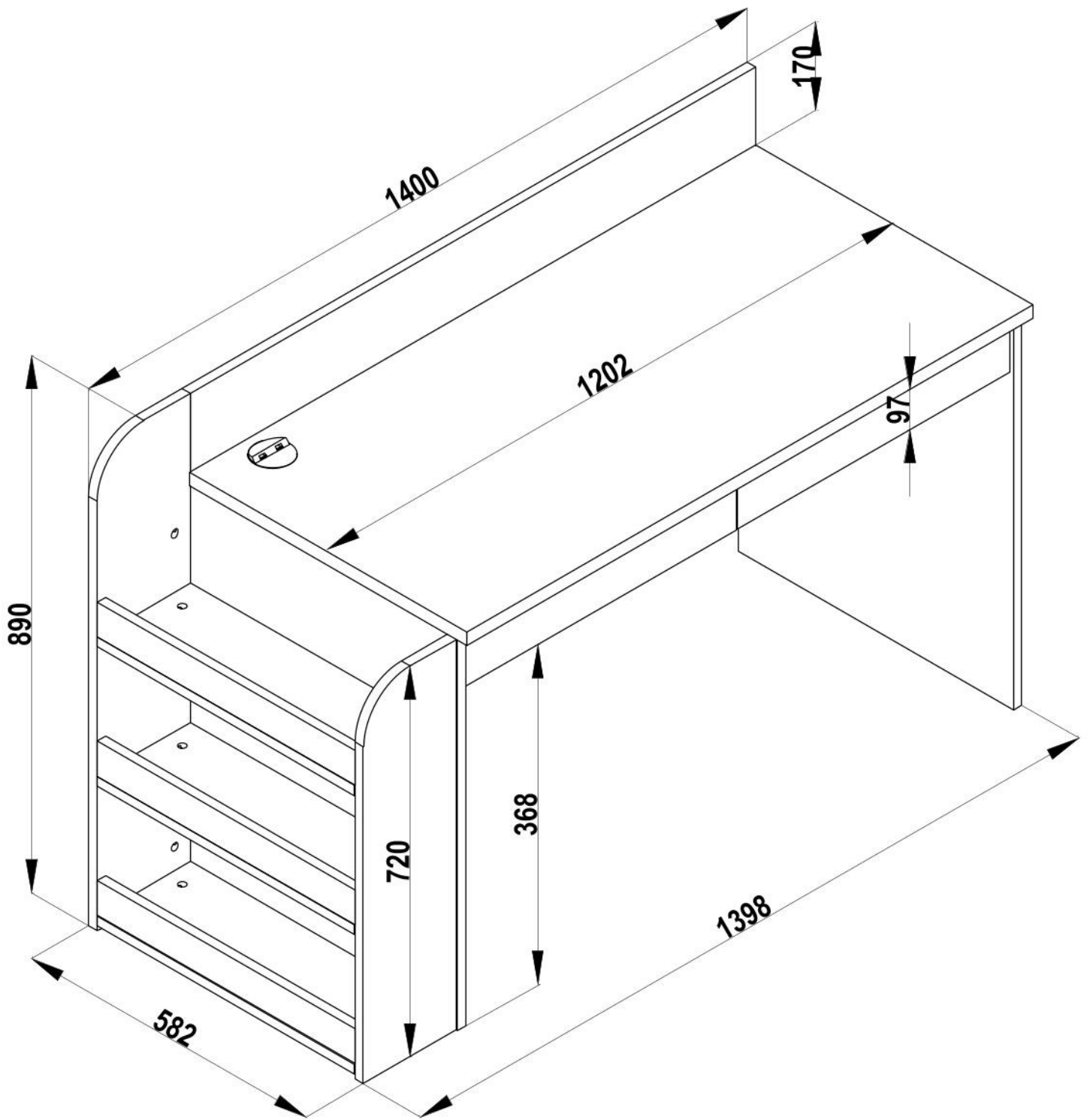
# Psací stůl ANDY

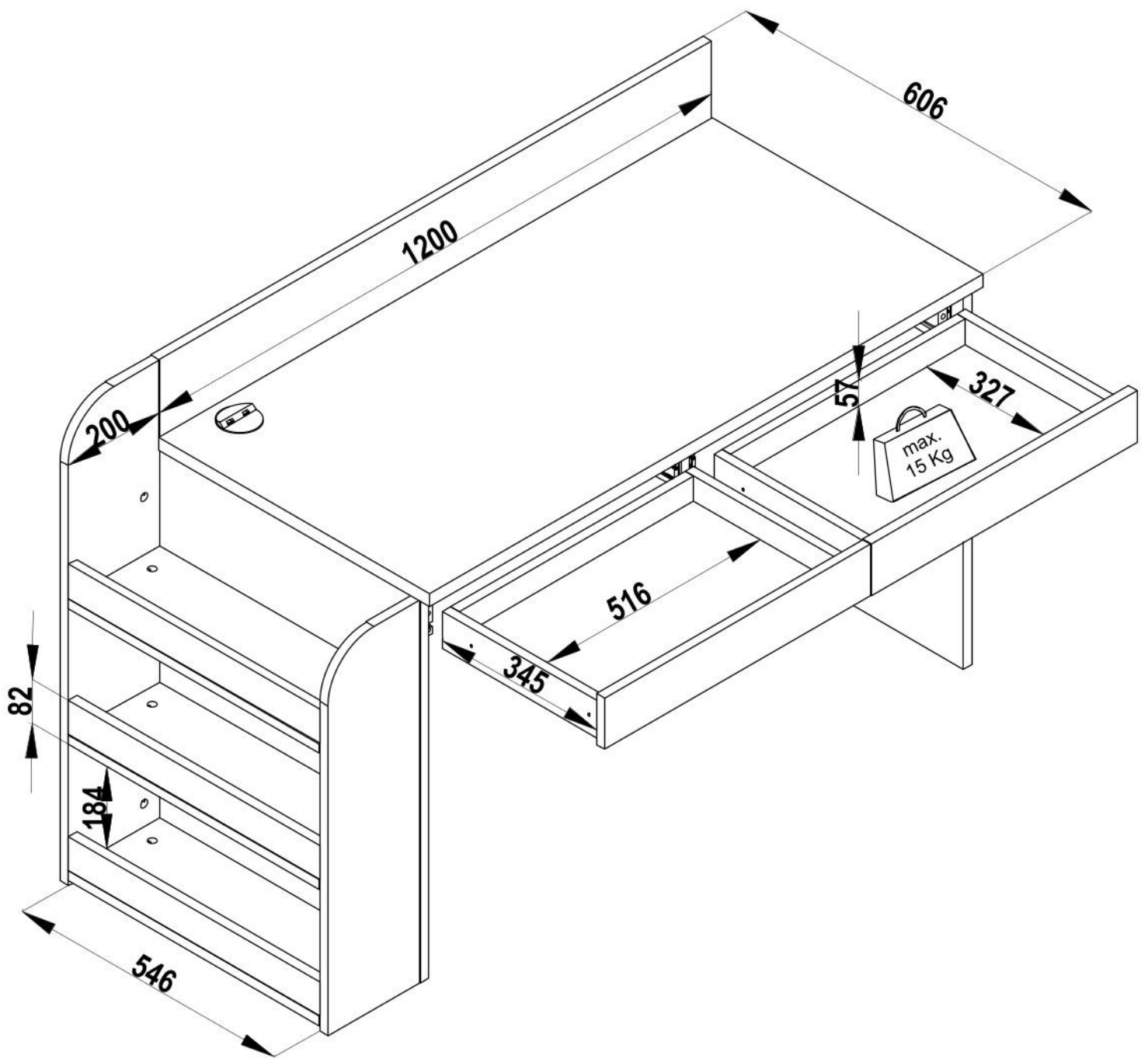


|  |  |   |   |   |
|--|--|---|---|---|
| <p>ACCESSORIE NO : 317<br/>10'LUK MİNİFİK MİL</p> <p>29 ADET</p> | <p>ACCESSORIE NO : 002<br/>TİTUS MİNİFİK GÖVDE</p> <p>37 ADET</p>    | <p>ACCESSORIE NO : 004<br/>Ø8x30 KAVELA</p> <p>26 ADET</p>        | <p>ACCESSORIE NO : 172<br/>ÇİFT AÇILIMLI 350mm<br/>RAY</p> <p>2 TAKIM</p> | <p>ACCESSORIE NO : 113<br/>3,5*18 MM S. VİDASI</p> <p>16 ADET</p>             |
| <p>ACCESSORIE NO : 097<br/>4*45 S. VİDASI</p> <p>3 ADET</p>      | <p>ACCESSORIE NO : 020<br/>MİNİFİK TAPA<br/>BEYAZ</p> <p>15 ADET</p> | <p>ACCESSORIE NO : 200<br/>RAF PİMİ EURO VİDALI</p> <p>2 ADET</p> | <p>ACCESSORIE NO : 120<br/>6,3*13 MM EURO VİDA</p> <p>2 ADET</p>          | <p>ACCESSORIE NO : 001<br/>MİNİFİK MİL 6 MM</p> <p>8 ADET</p>                 |
|  |  |   | <p>ACCESSORIE NO : 106<br/>3*16 MM S. VİDASI</p> <p>2 ADET</p>            | <p>ACCESSORIE NO : 575<br/>USB APARATI ÇAP 28 MM<br/>BEYAZ</p> <p>1 TAKIM</p> |
|  |  |   |   |   |
|  |  |   |   |   |
|  |  |   |   |   |
|  |  |   |   |   |

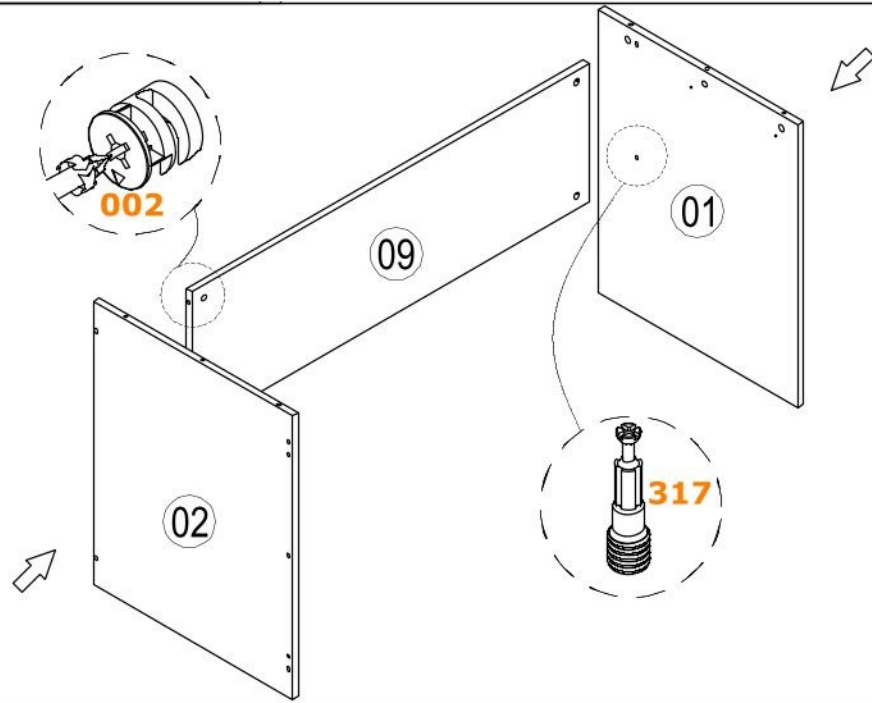


| NO | ADET/PCS | ÖLÇÜ/DIMENSIONS | NO | ADET/PCS | ÖLÇÜ/DIMENSIONS | NO | ADET/PCS | ÖLÇÜ/DIMENSIONS |
|----|----------|-----------------|----|----------|-----------------|----|----------|-----------------|
| 01 | 1        | 720 X 584       | 11 | 1        | 577 X 97        |    |          |                 |
| 02 | 1        | 720 X 584       | 12 | 1        | 577 X 97        |    |          |                 |
| 03 | 1        | 1202 X 588      | 13 | 2        | 345 X 76        |    |          |                 |
| 04 | 1        | 1200 X 170      | 14 | 2        | 510 X 76        |    |          |                 |
| 05 | 1        | 890 X 200       | 15 | 2        | 345 X 76        |    |          |                 |
| 06 | 1        | 720 X 200       | 16 | 2        | 519 X 331       |    |          |                 |
| 07 | 3        | 546 X 199       |    |          |                 |    |          |                 |
| 08 | 3        | 546 X 64        |    |          |                 |    |          |                 |
| 09 | 1        | 1162 X 352      |    |          |                 |    |          |                 |
| 10 | 1        | 350 X 100       |    |          |                 |    |          |                 |

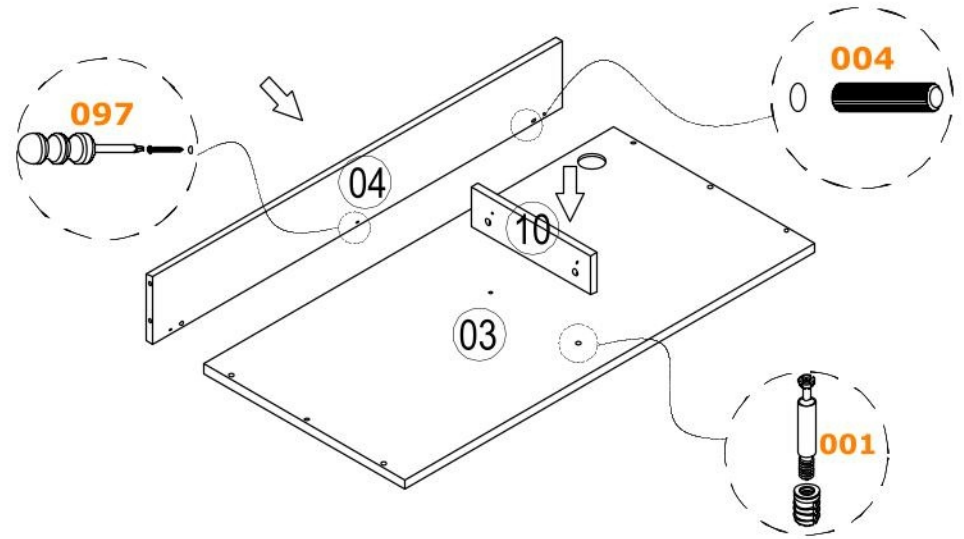




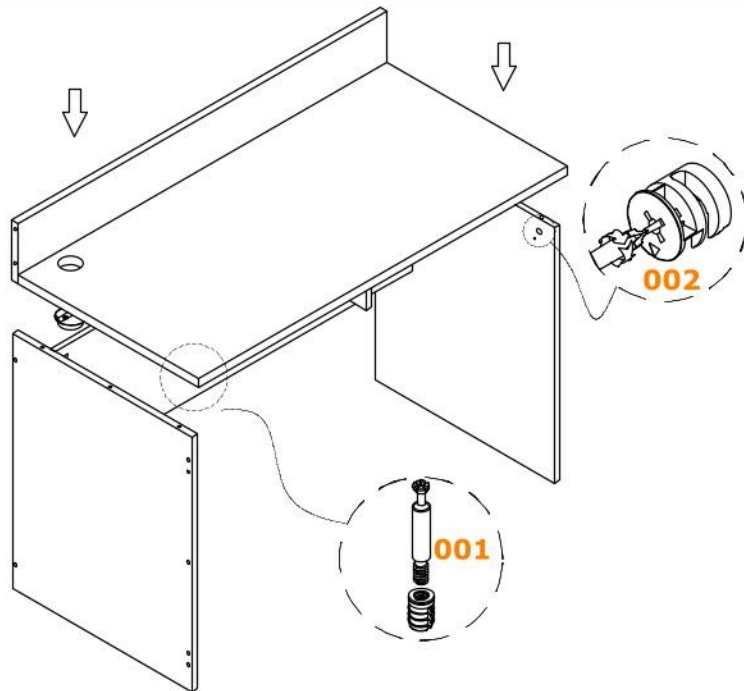
# INSTALLATION STEPS



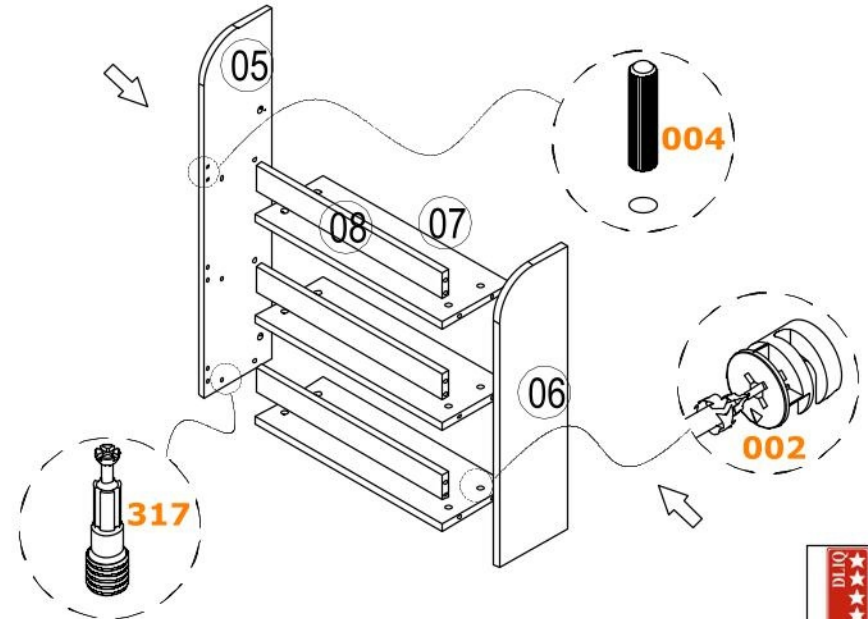
1



2



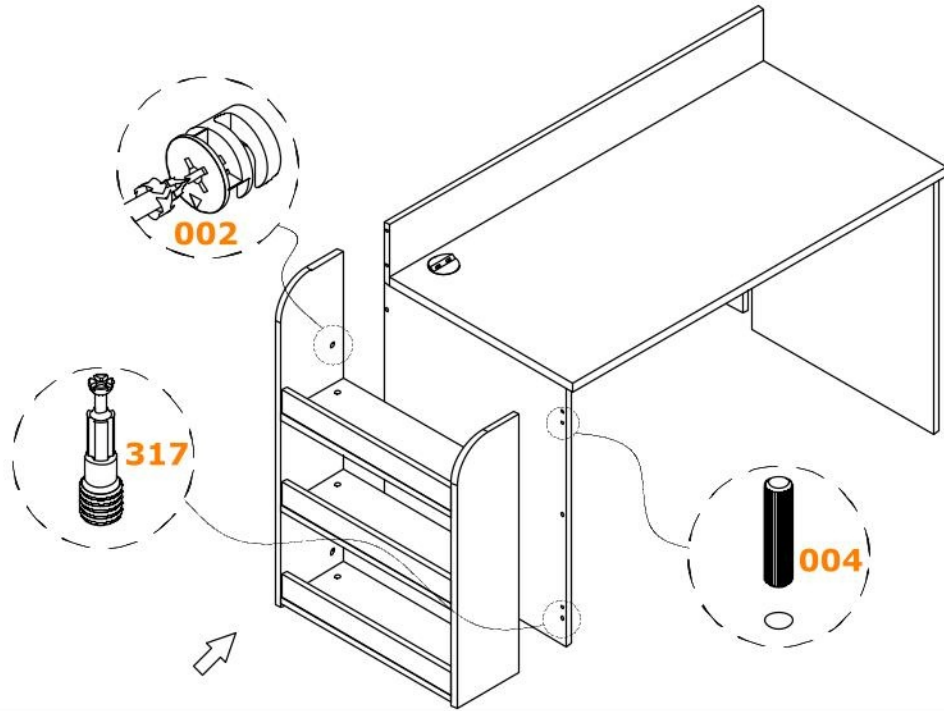
3



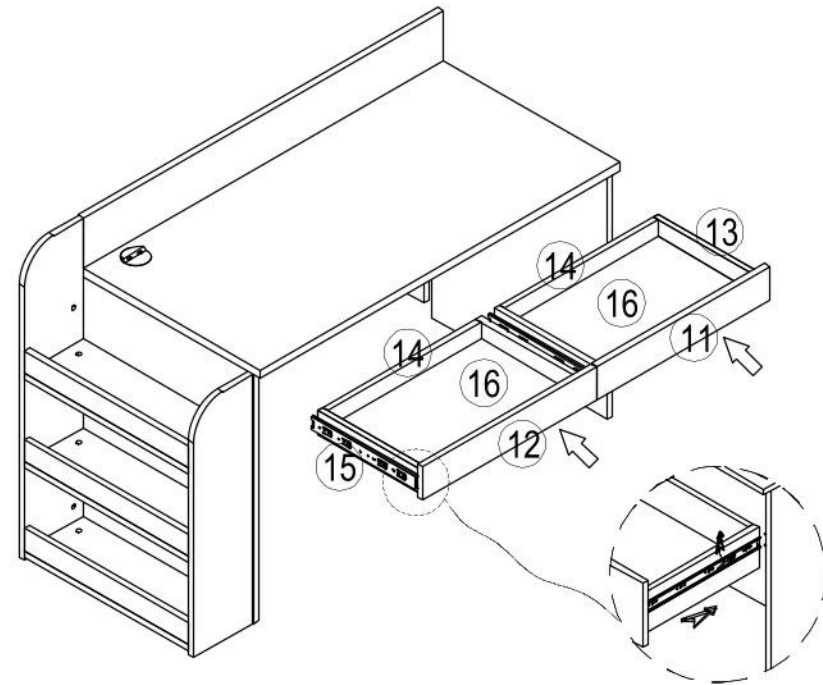
4



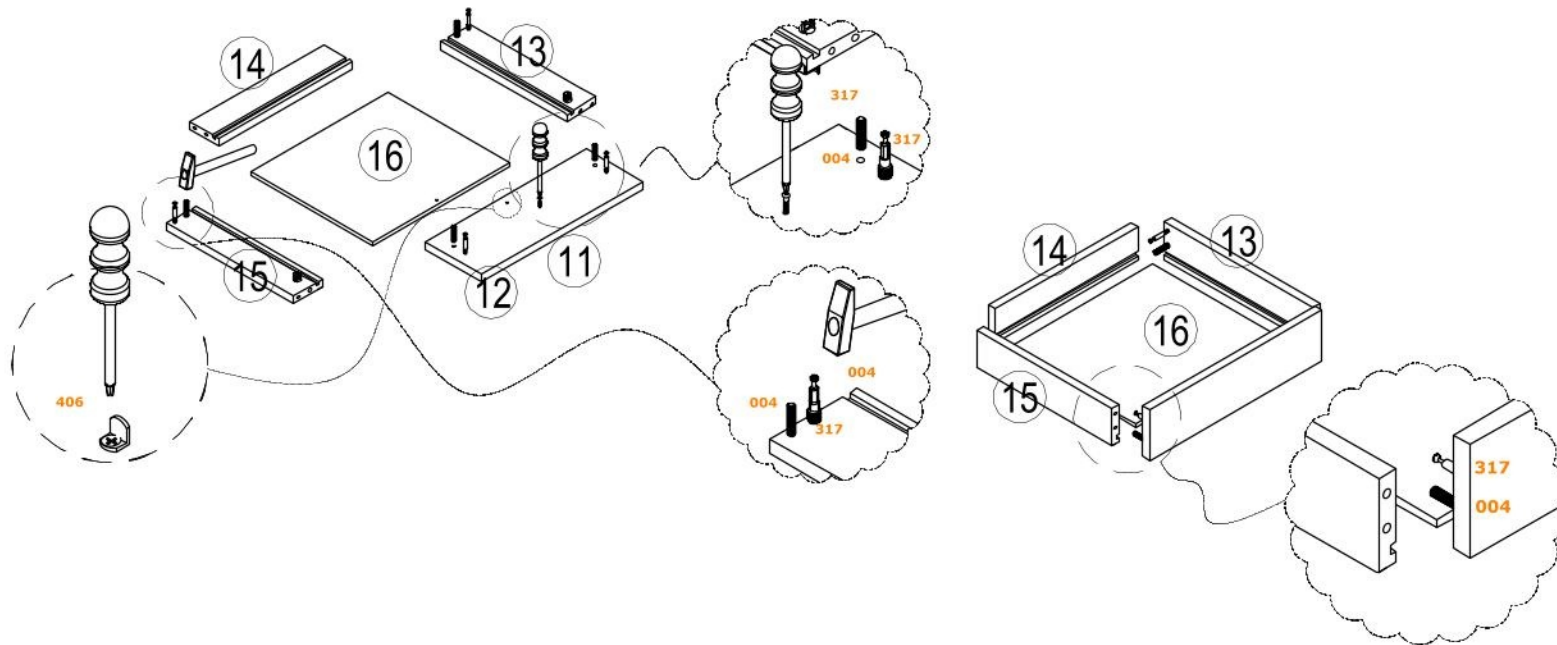
# INSTALLATION STEPS



5



7



6