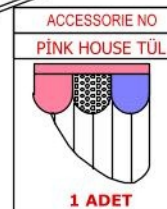
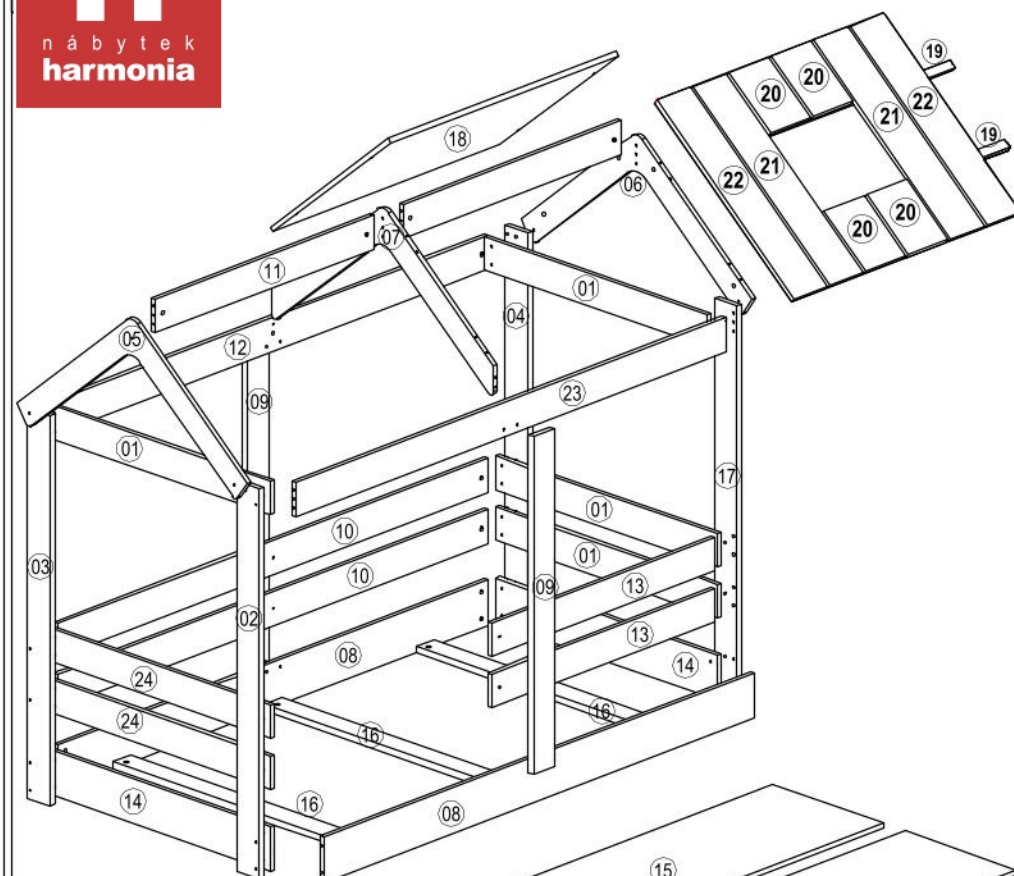
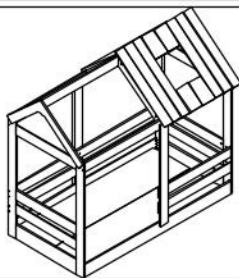


# Domečková postel 100x200 BOOM



ACCESSORIE NO : 002  
TITUS MÍNIFIX GÖVDE



12 ADET

ACCESSORIE NO : 001  
MÍNIFIX MİL 6 MM



10 ADET

ACCESSORIE NO : 009  
MÍNIFIX ARA MİL(86mm)



1 ADET

ACCESSORIE NO : 125  
M6\*60 ALYAN VİDA



18 ADET

ACCESSORIE NO : 563  
RAFİX MİL (11)



10 ADET

ACCESSORIE NO : 004  
Ø8x30 KAVELA



30 ADET

ACCESSORIE NO : 131  
4mm ALYAN ANAHTAR



2 ADET

ACCESSORIE NO : 122  
M6\*30 ALYAN VİDA

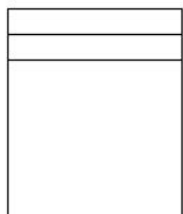
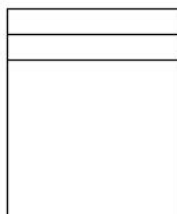
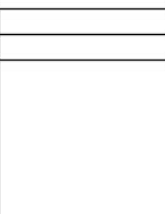
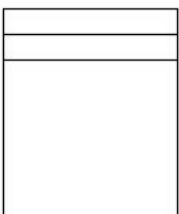
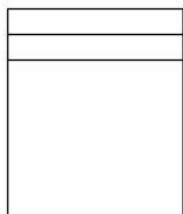
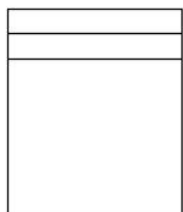
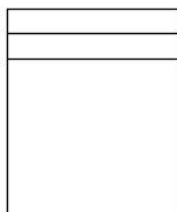
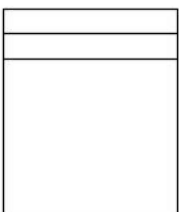
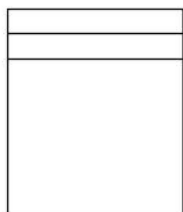
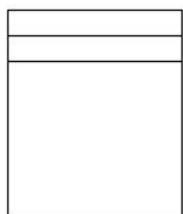
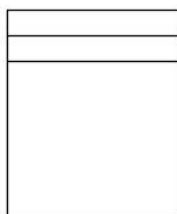
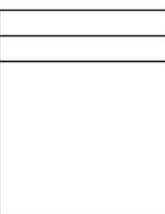
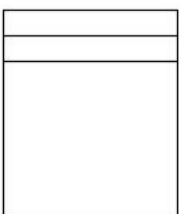
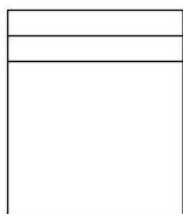


42 ADET

ACCESSORIE NO : 510  
Ø15 METAL SİLİNDİRİK SOMUN



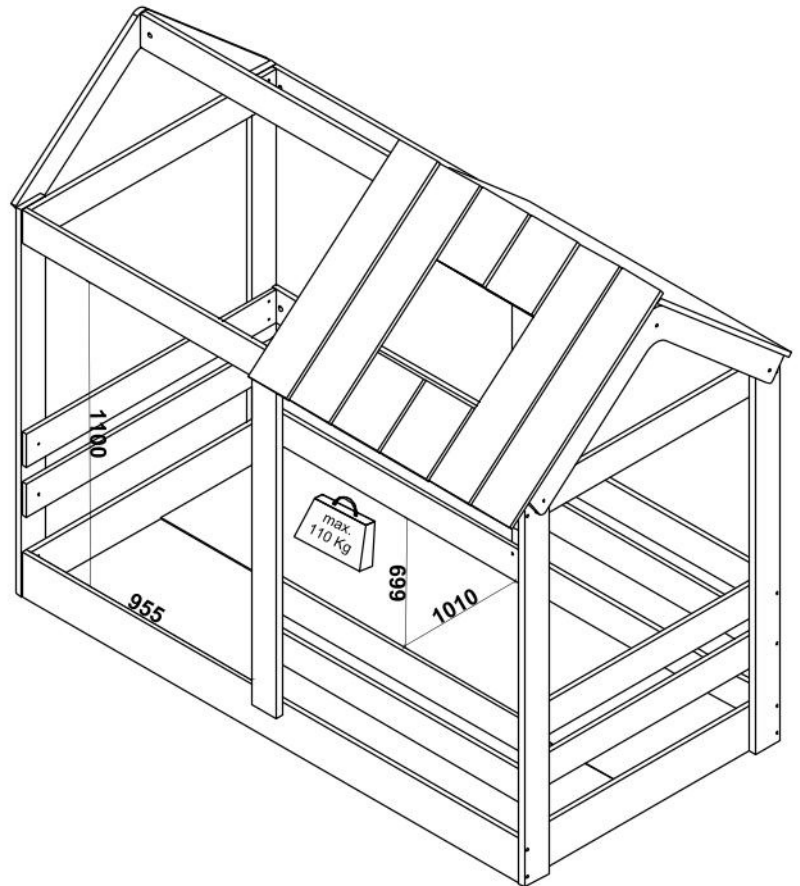
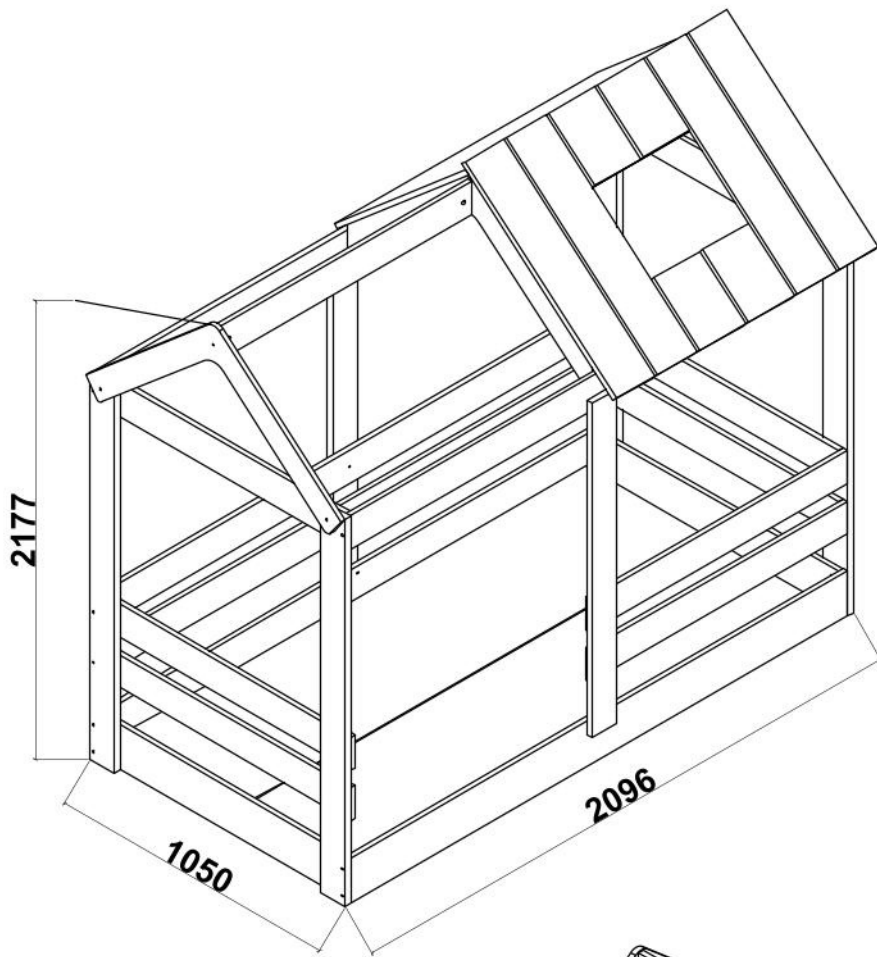
18 ADET



NO	ADET/PCS	ÖLÇÜ/DIMENSIONS	NO	ADET/PCS	ÖLÇÜ/DIMENSIONS	NO	ADET/PCS	ÖLÇÜ/DIMENSIONS
01	4	1010 X 118	11	1	1039 X 120	25	1	
02	1	1379 X 100	12	1	2046 X 120			
03	1	1379 X 100	13	2	1060 X 118			
04	1	1379 X 100	14	2	1010 X 158			
05	1	1050 X 507	15	2	1950 X 503			
06	1	1050 X 507	16	3	1010 X 86			
07	1	1010 X 526	17	1	1379 X 100			
08	2	2046 X 160	18	1	1080 X 710			
09	2	1193 X 100	23	1	2046 X 120			
10	2	2046 X 120	24	1	1027 X 118			

PLEASE ORDER THE ACCESSORIES ACCORDING TO THE REFERENCE NUMBER ON THE DRAWING(EXAMPLE ACCESSORIE NO-008 RAFİX MİL 1.PCS.)

PLEASE ORDER THE SPARE PARTS ACCORDING TO THE REFERENCE NUMBER ON THE DRAWING



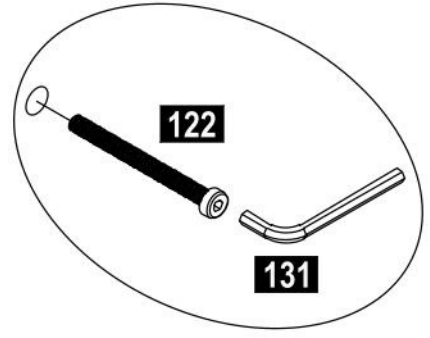
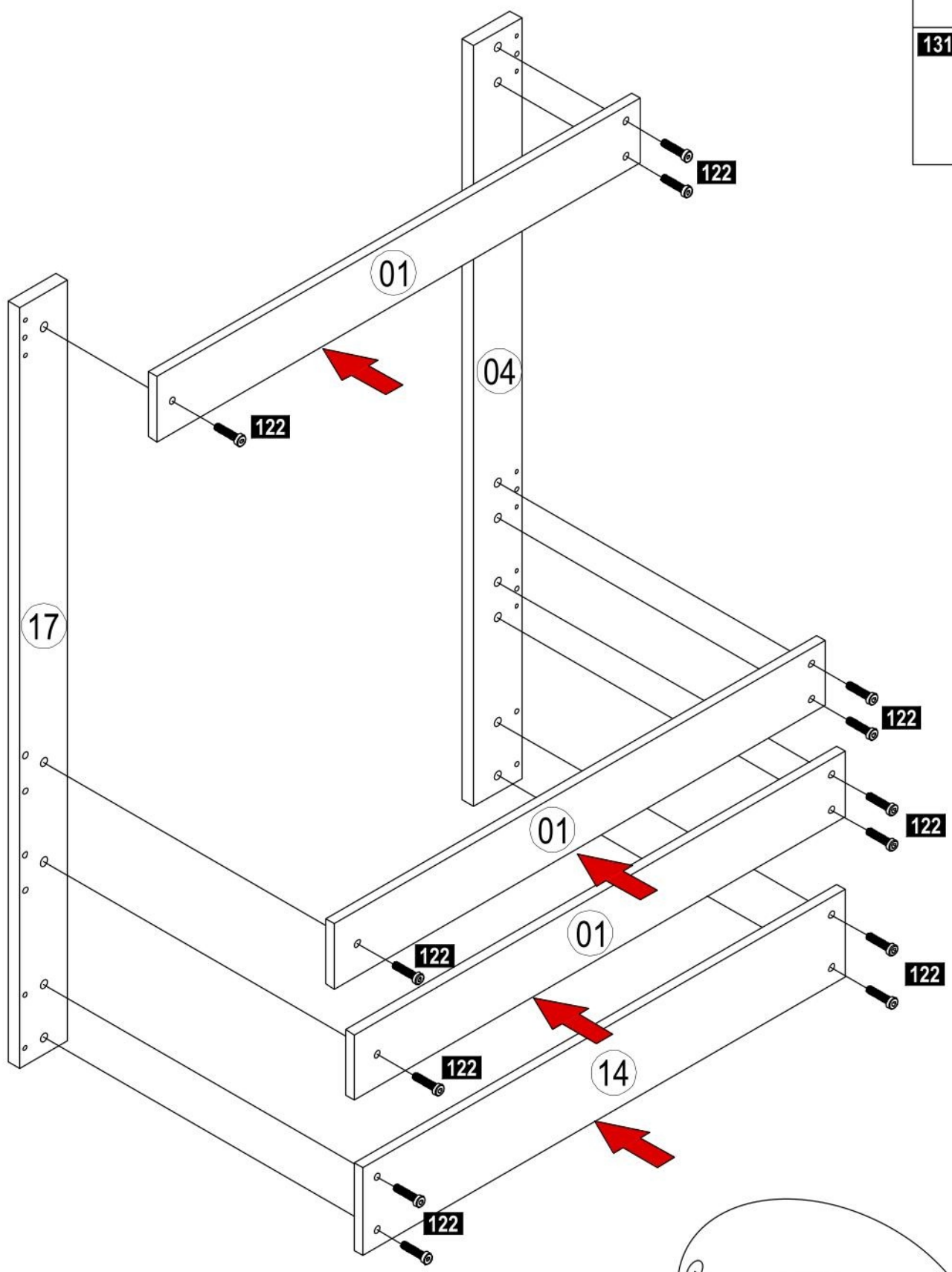
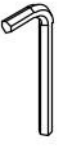
**1**

**122**

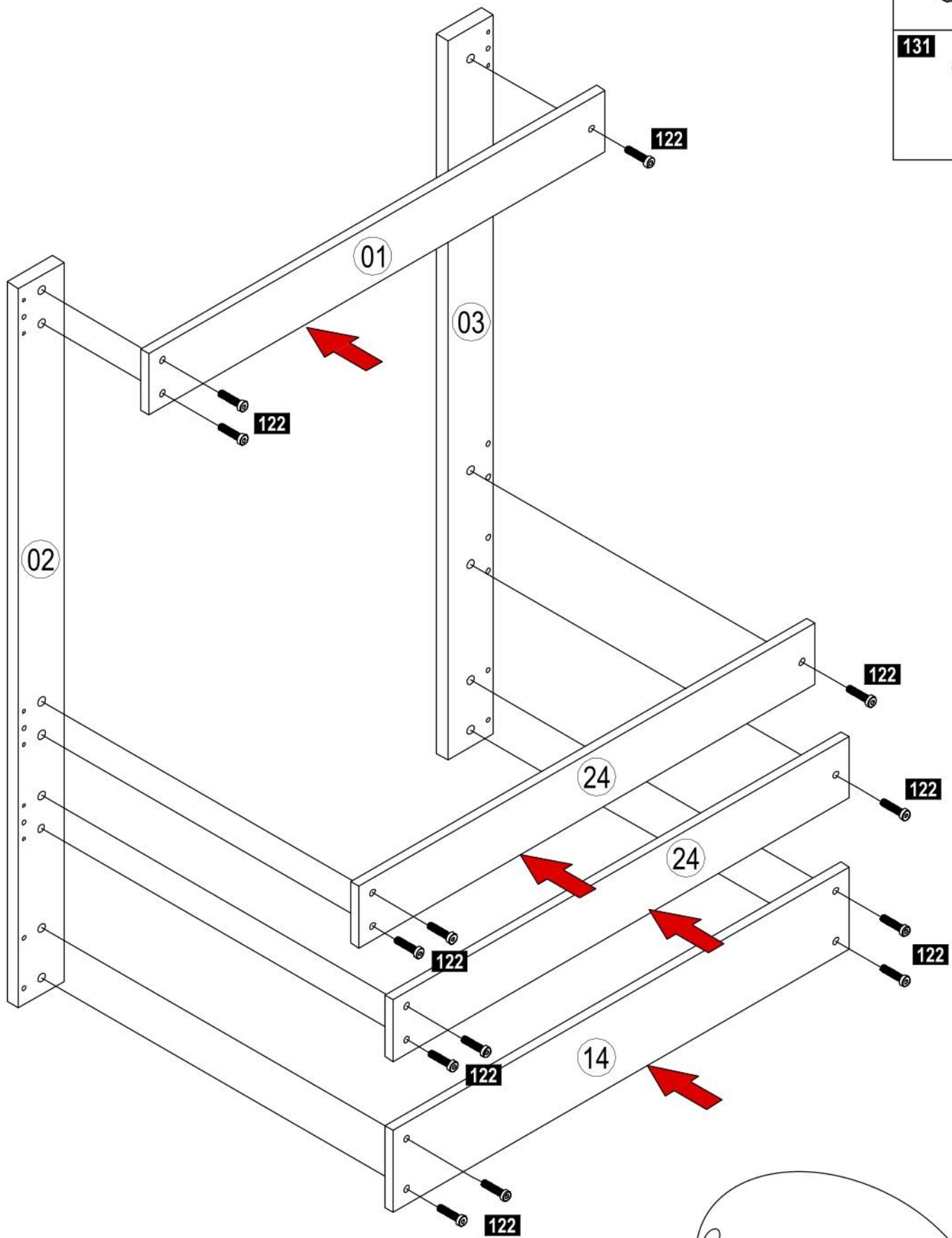


**13x**

**131**



2

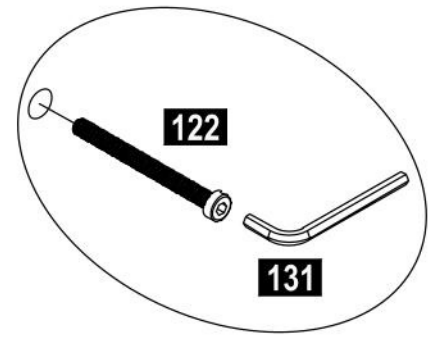
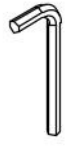


122



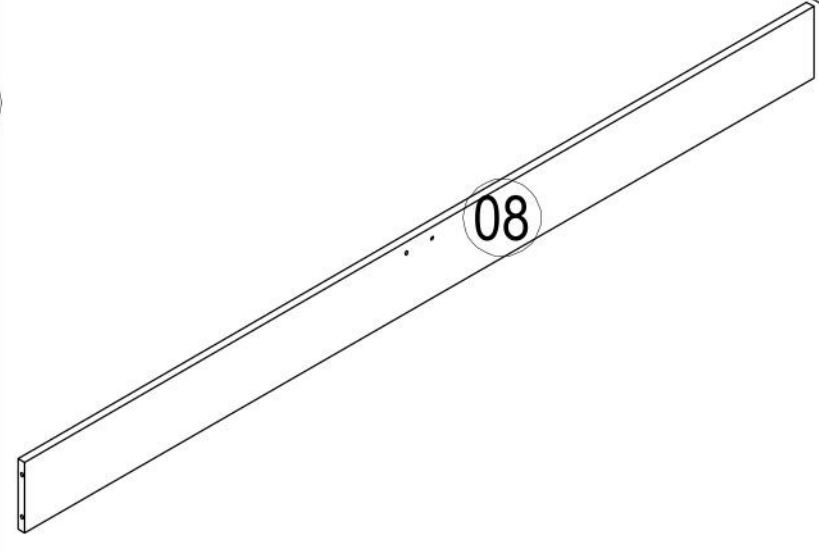
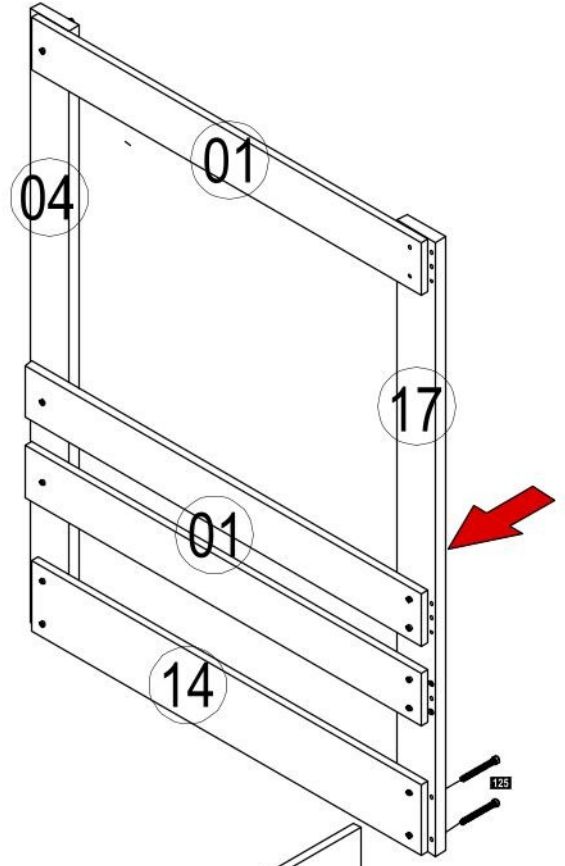
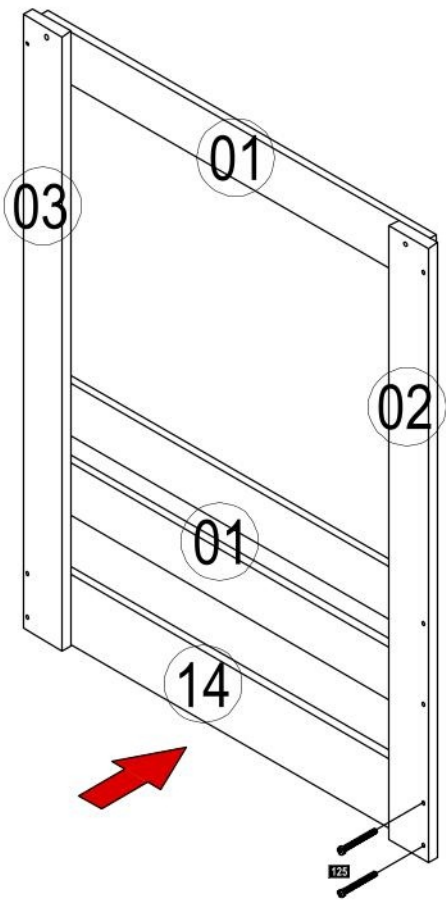
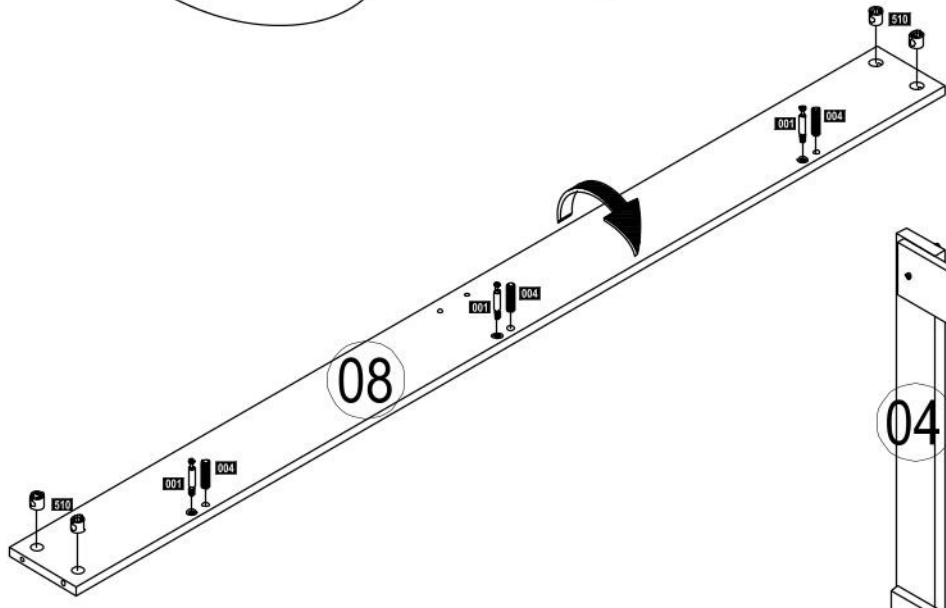
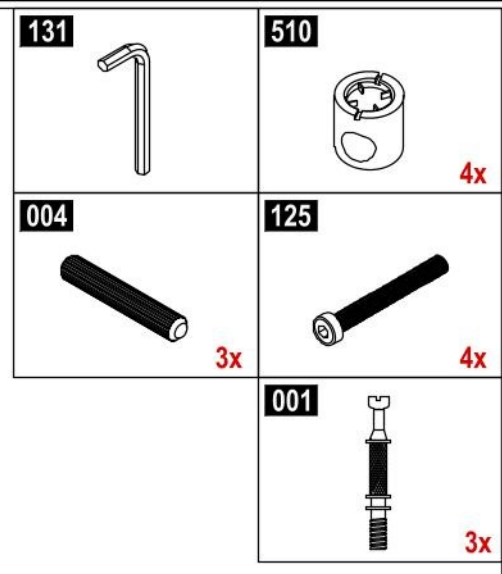
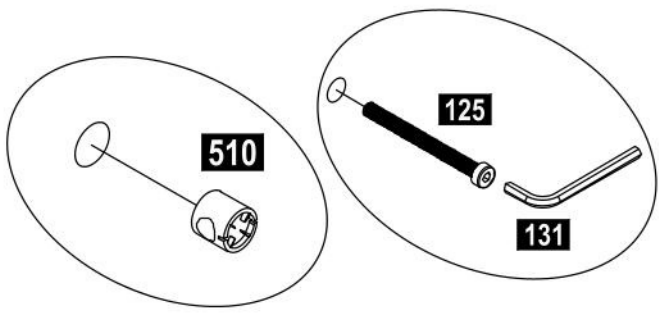
13x

131





**3**

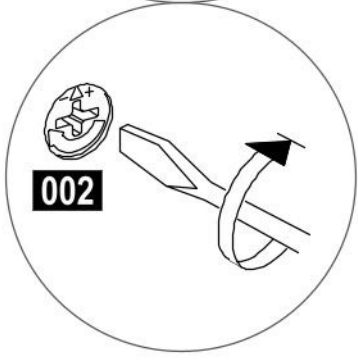
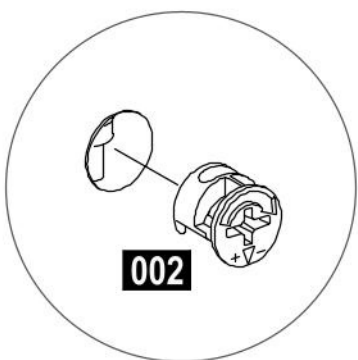
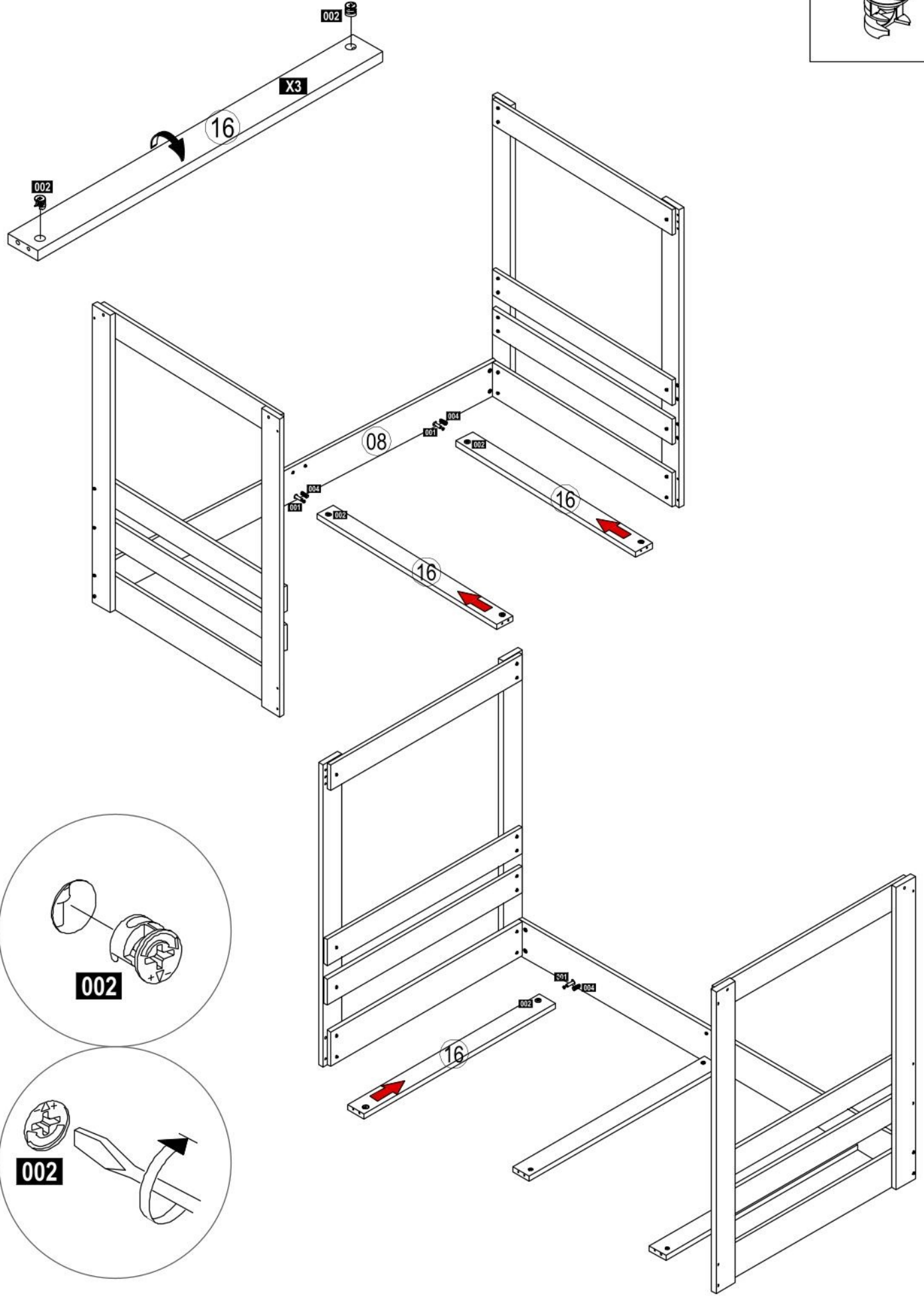


4

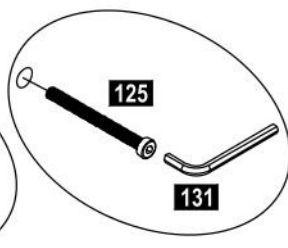
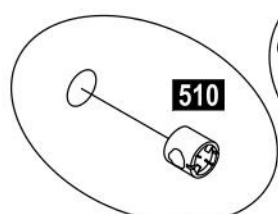
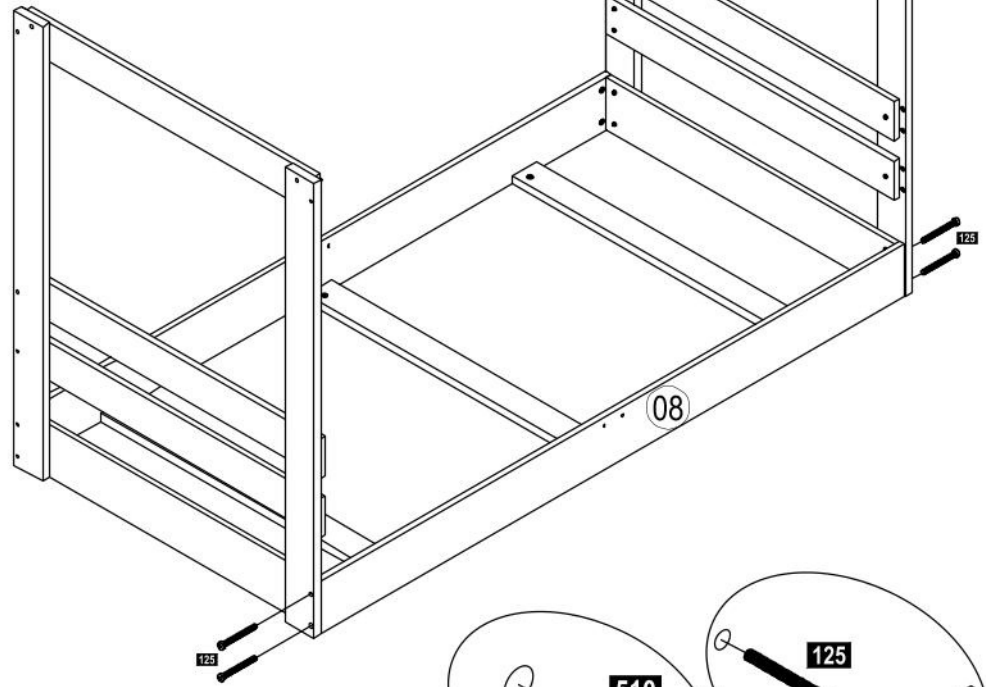
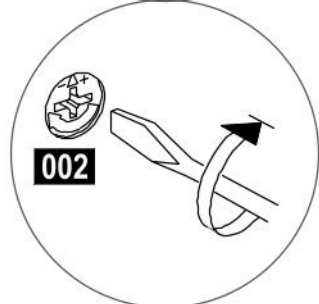
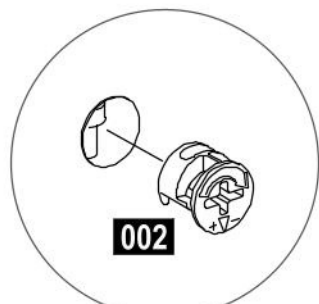
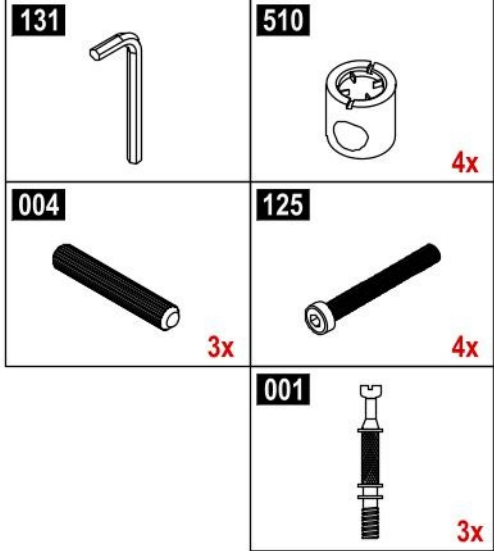
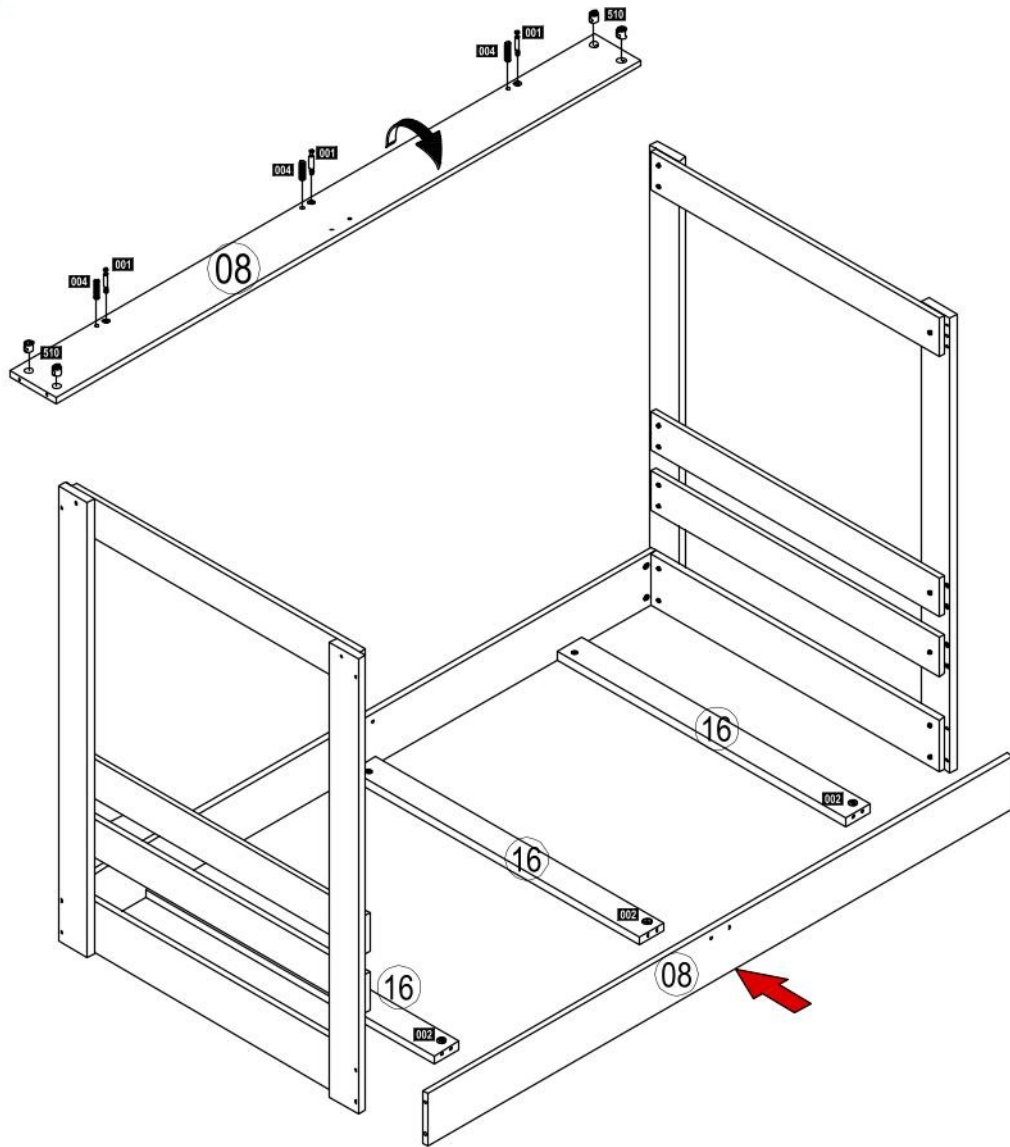
002



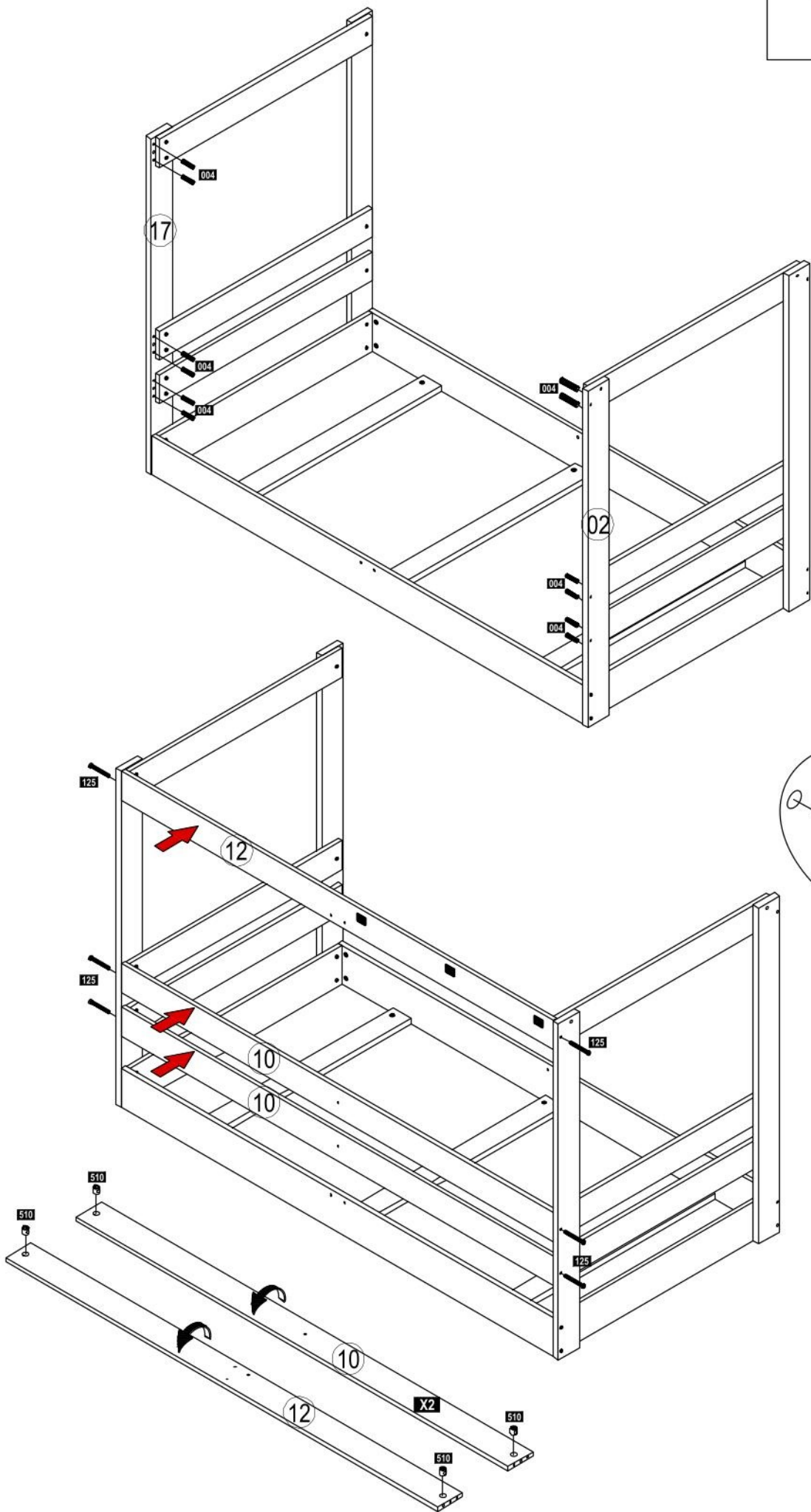
6x



**5**



# 6



004



12x

510



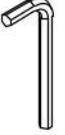
6x

125



6x

131



510



125



131





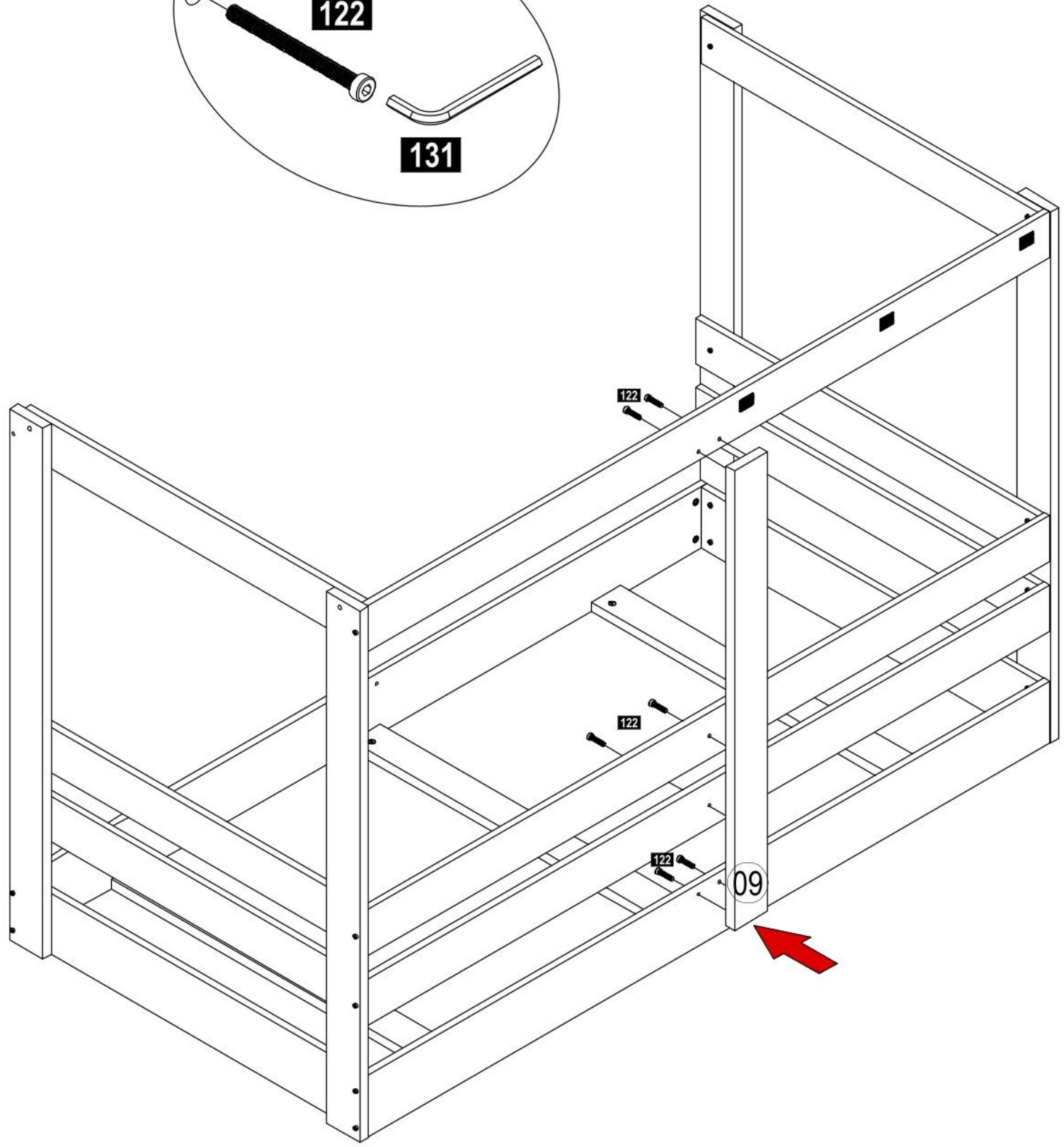
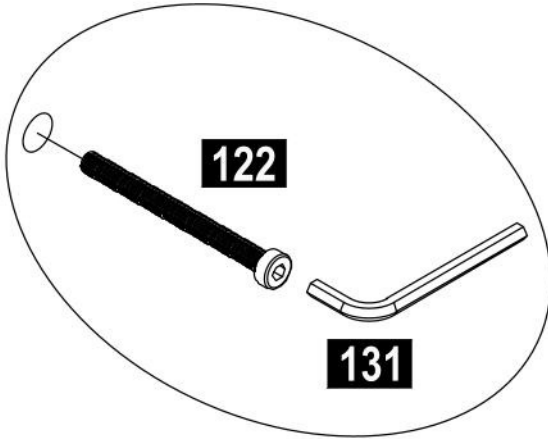
7

122



6x

131



004



4x

510



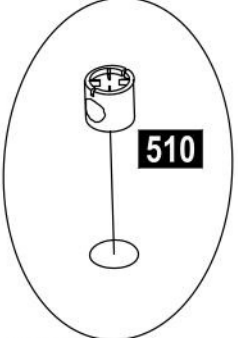
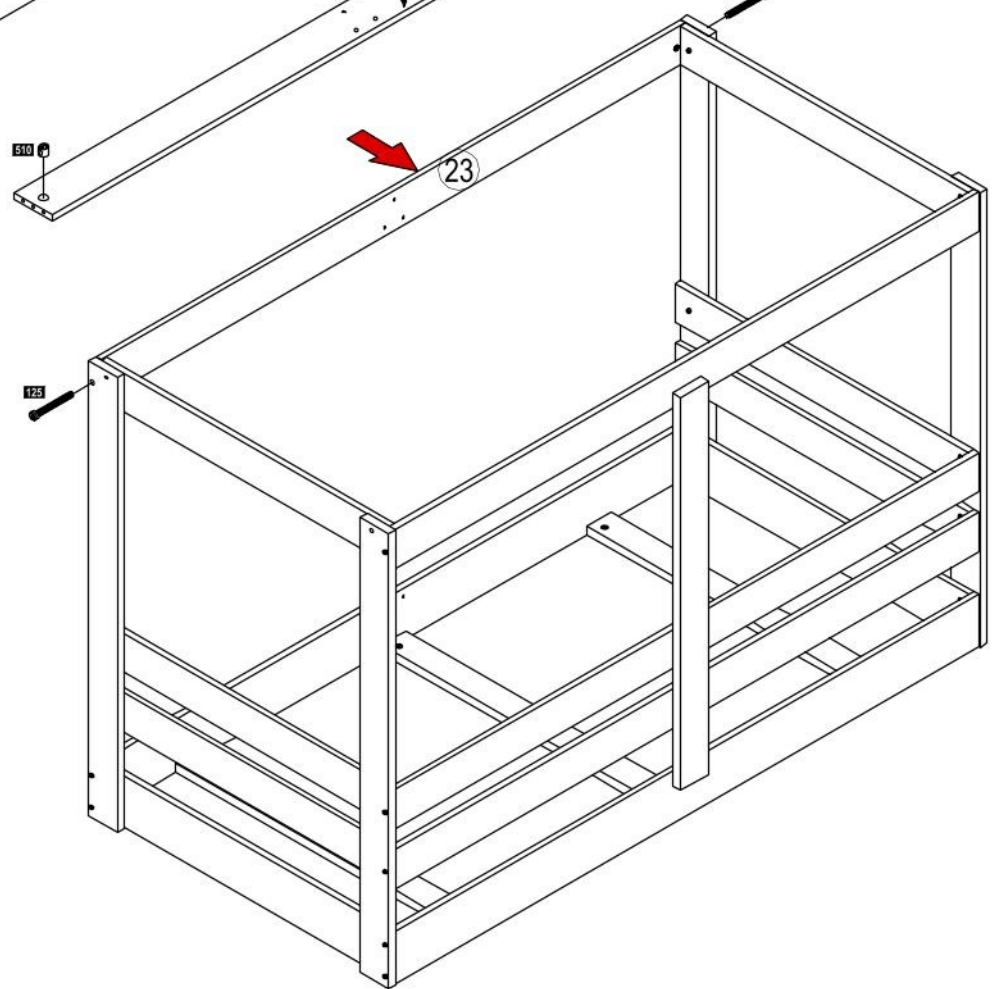
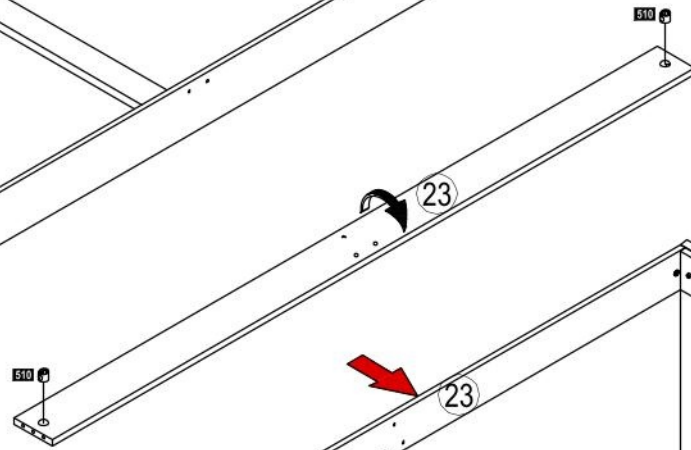
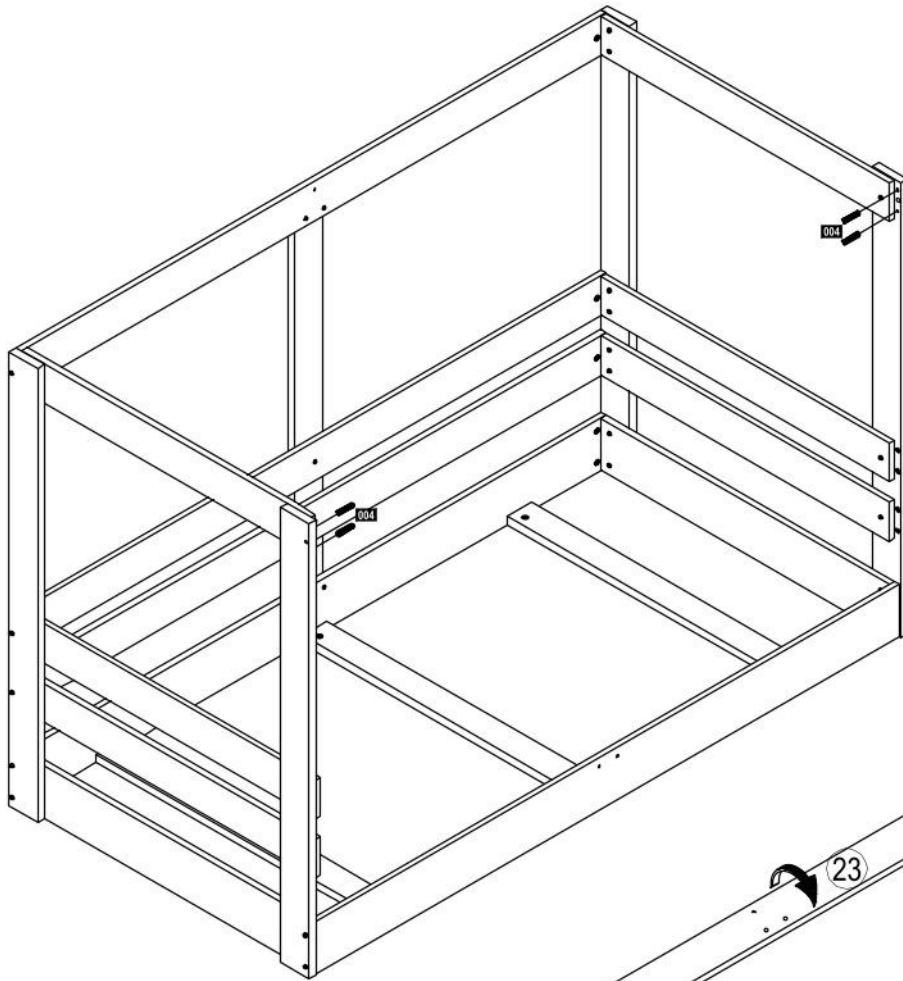
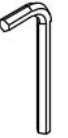
2x

125

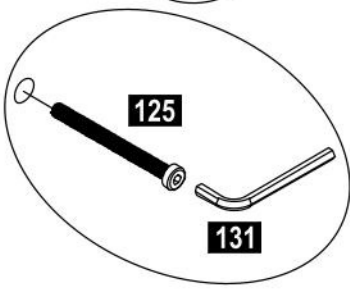


2x

131



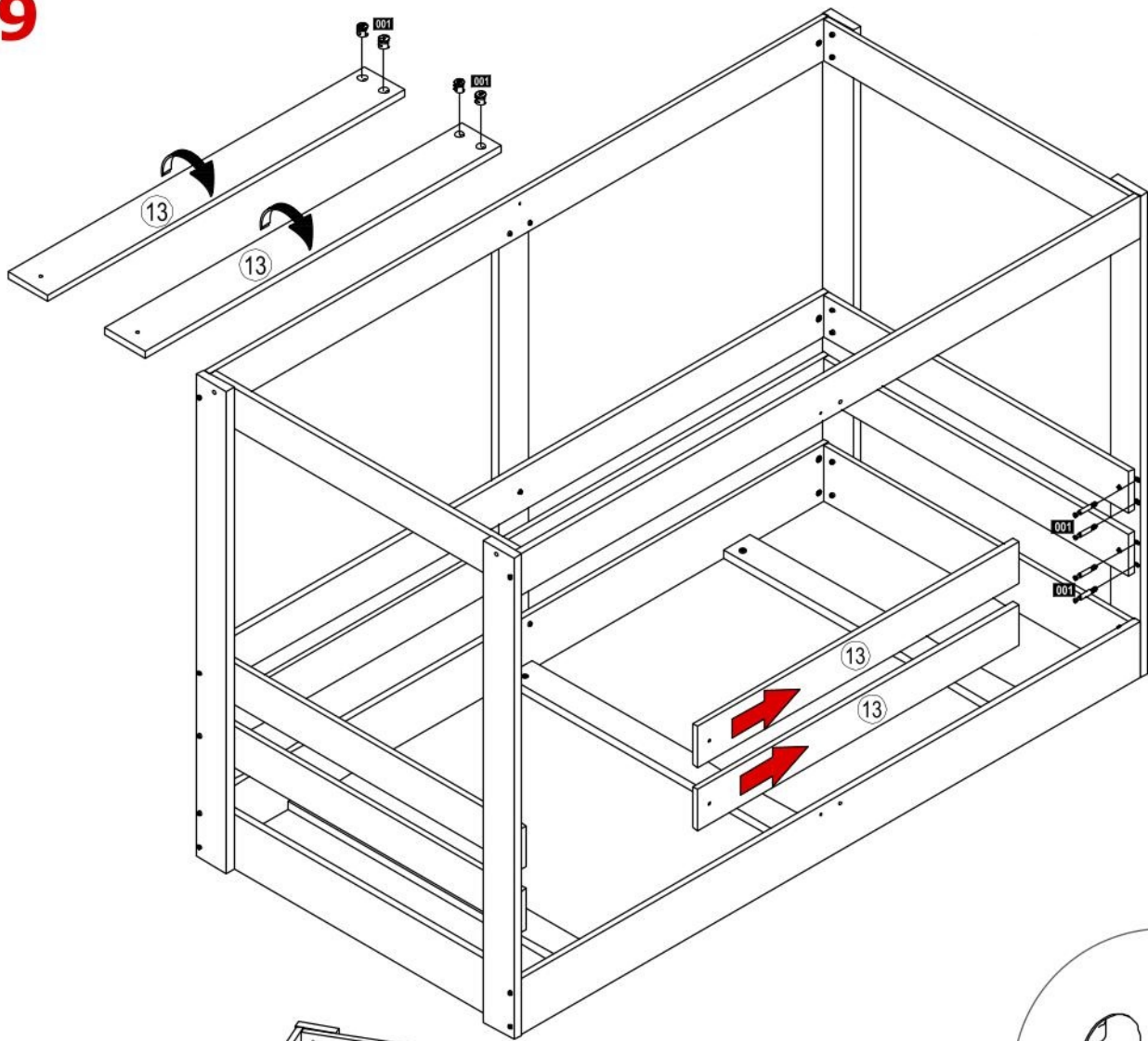
510




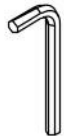


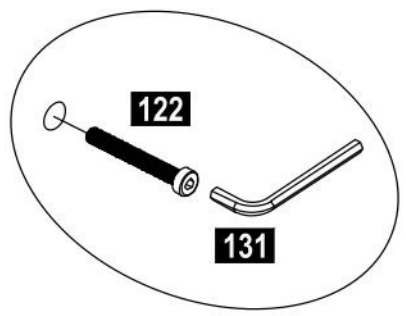
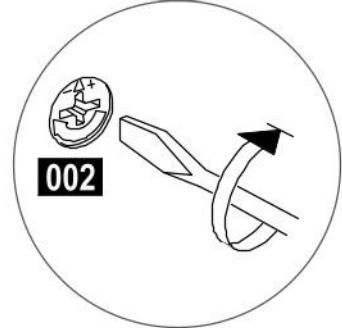
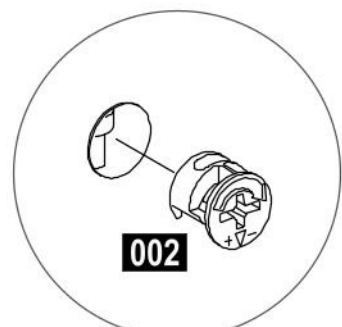
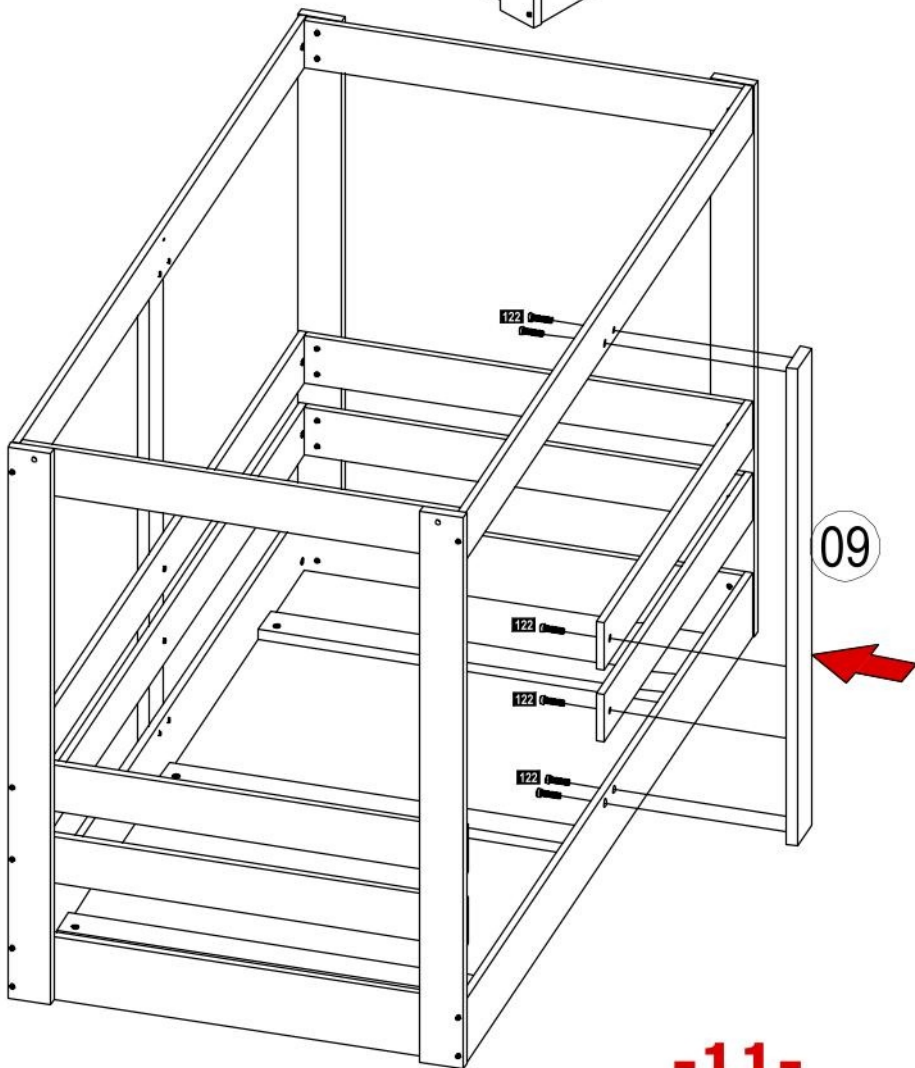
125

131

9

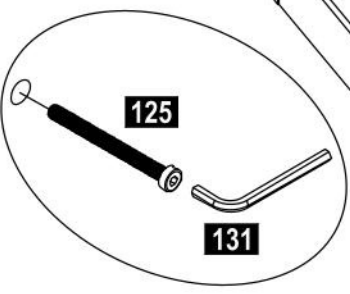
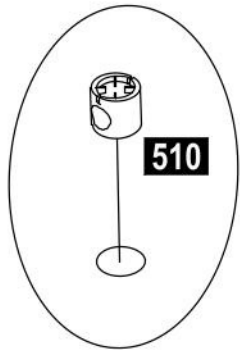
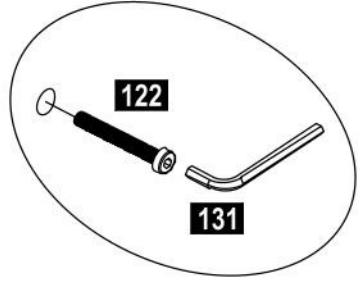
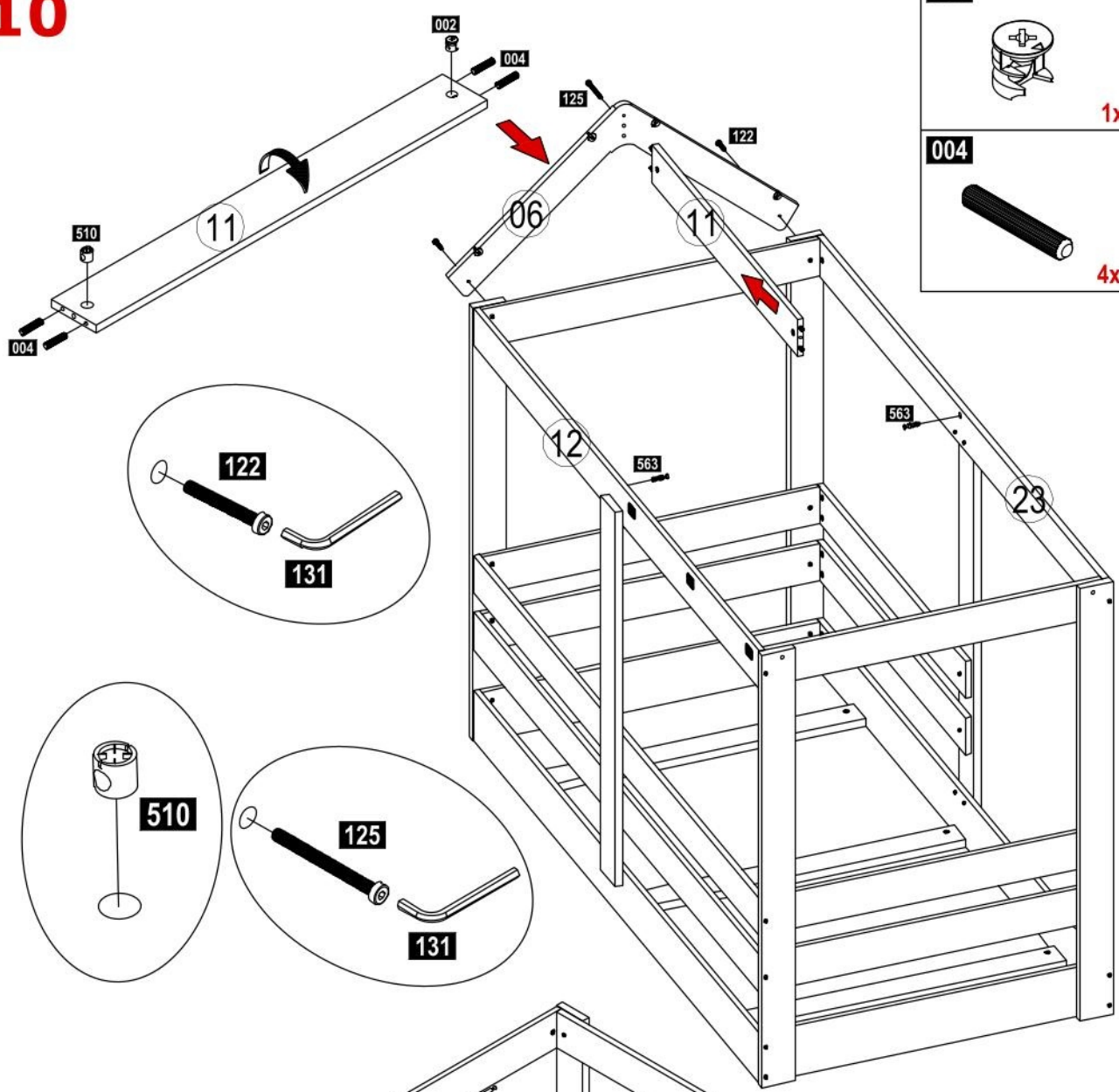


- 002**  4x
- 001**  4x
- 122**  6x
- 131** 

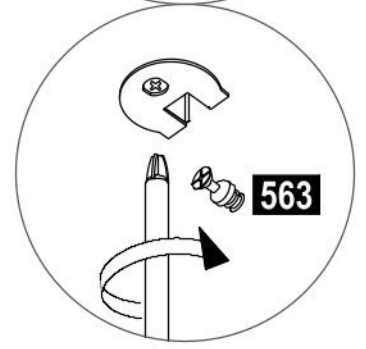
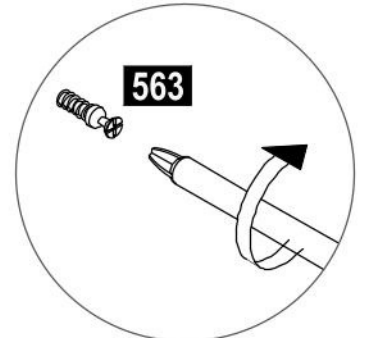
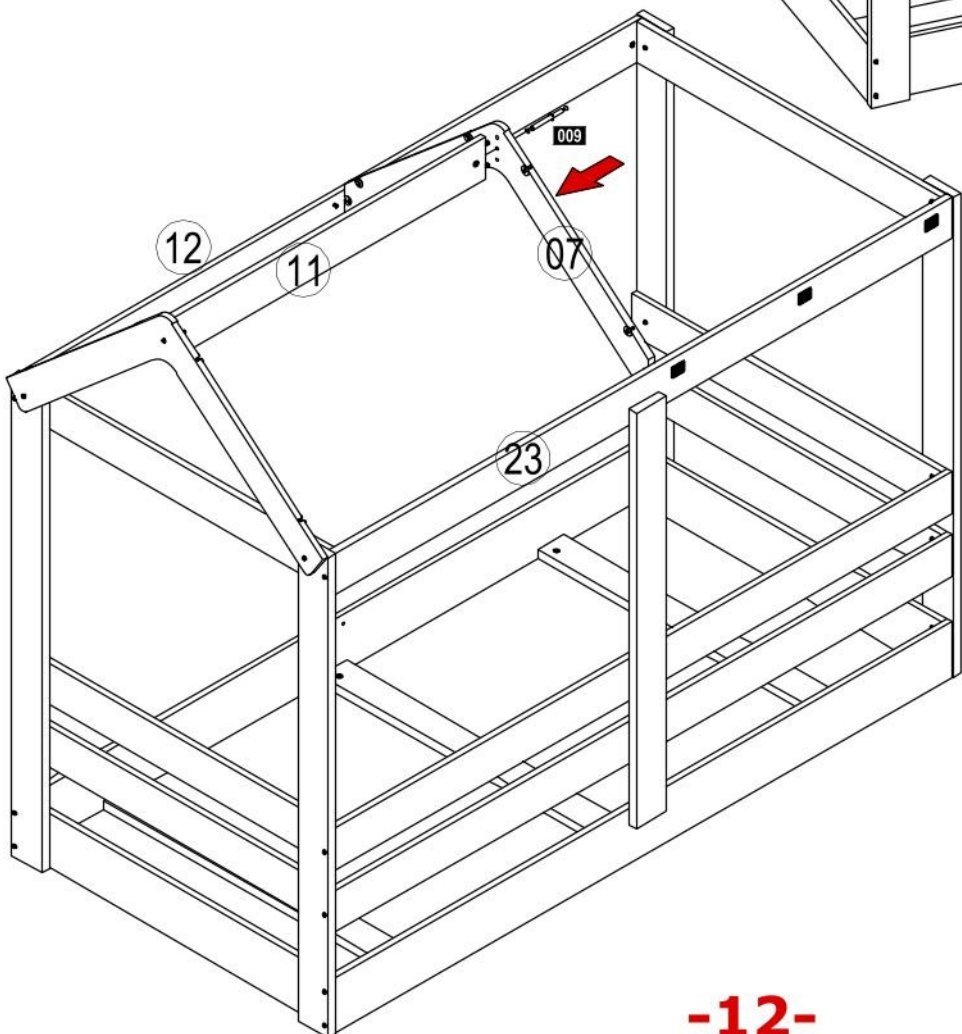




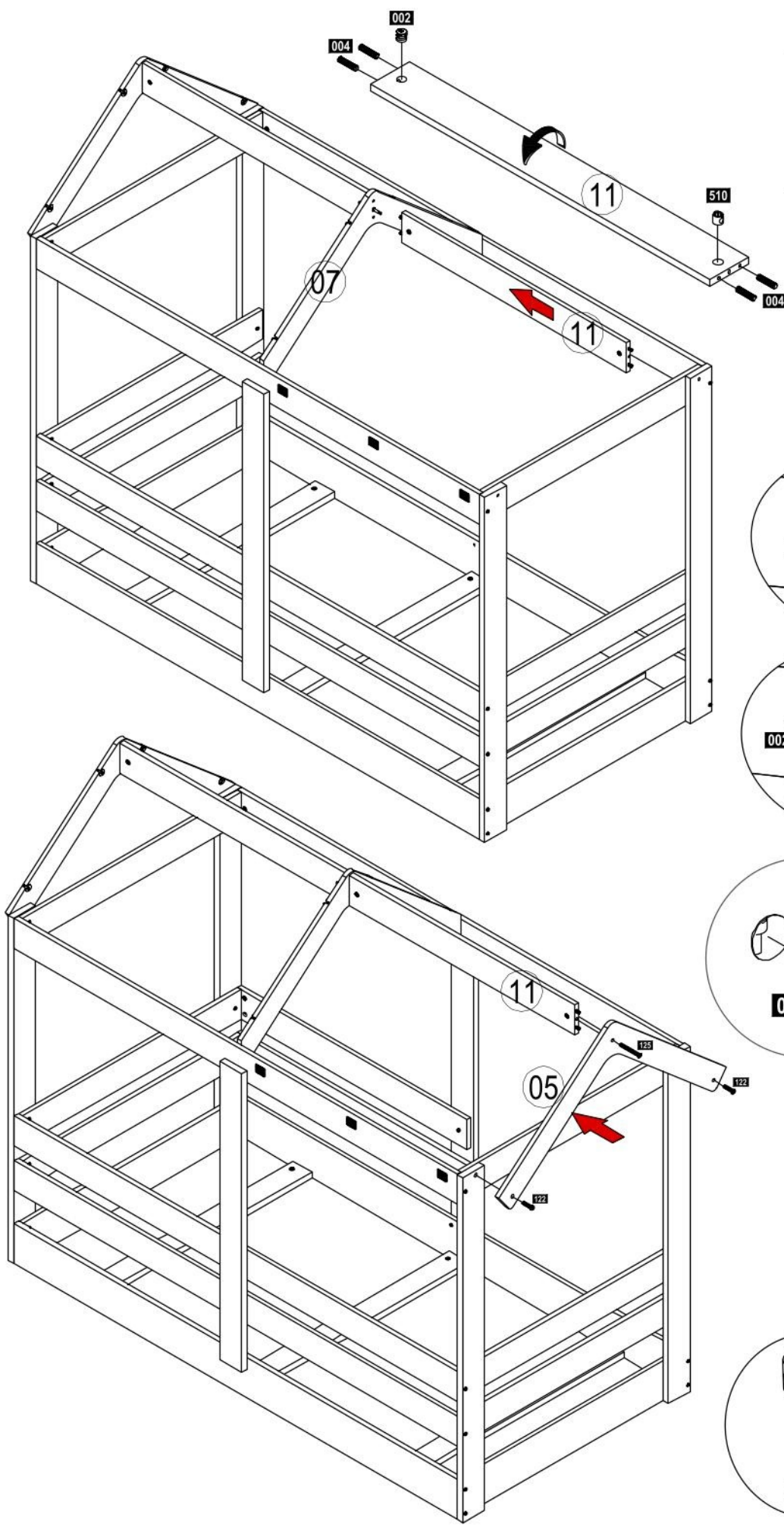
# 10








<b>002</b>  1x	<b>510</b>  1x
<b>004</b>  4x	<b>125</b>  1x
<b>122</b>  2x	<b>131</b>  2x
<b>563</b>  2x	<b>009</b>  1x







<b>004</b>  4x	<b>510</b>  1x
<b>002</b>  1x	<b>125</b>  1x
<b>122</b>  2x	<b>131</b> 