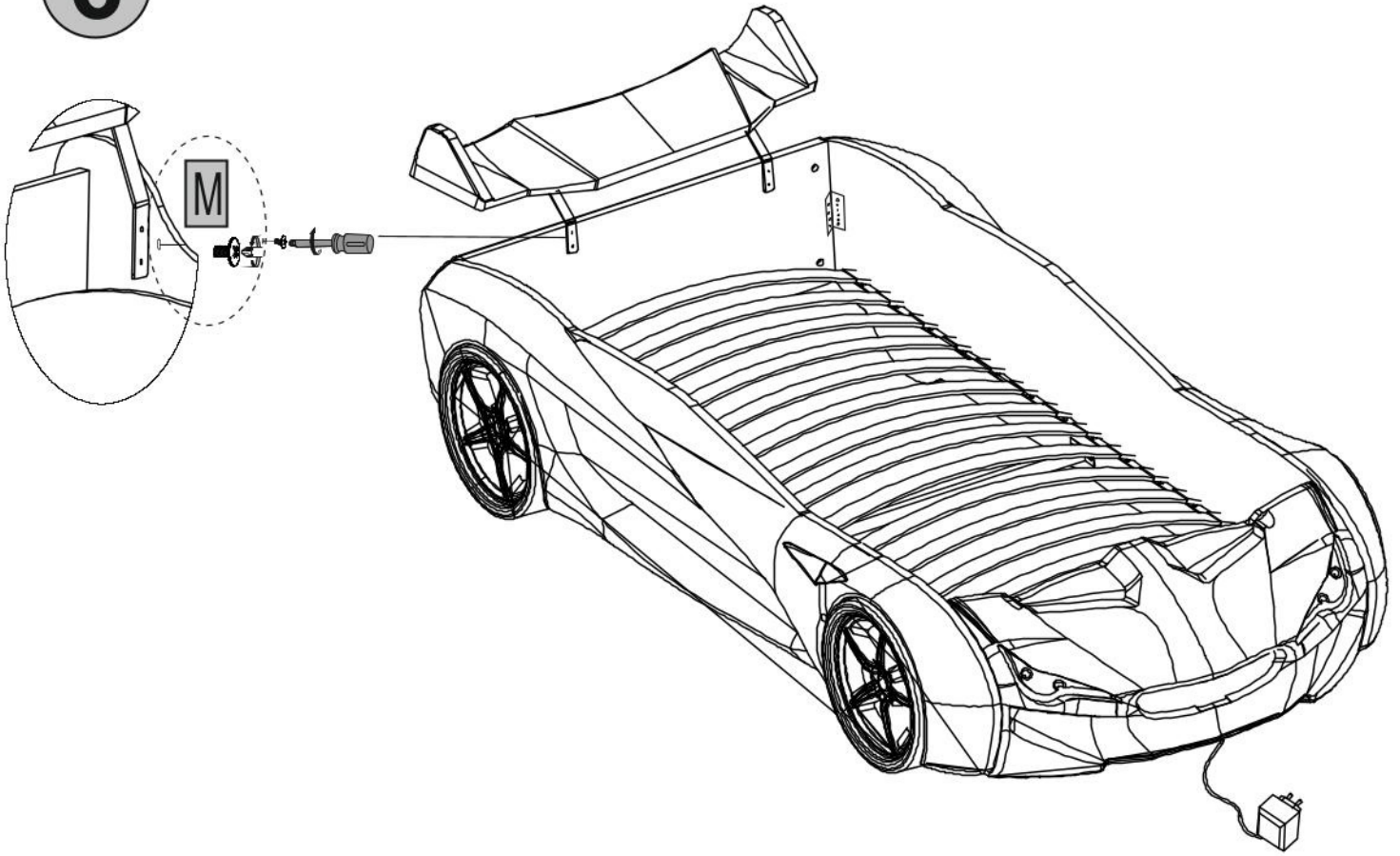
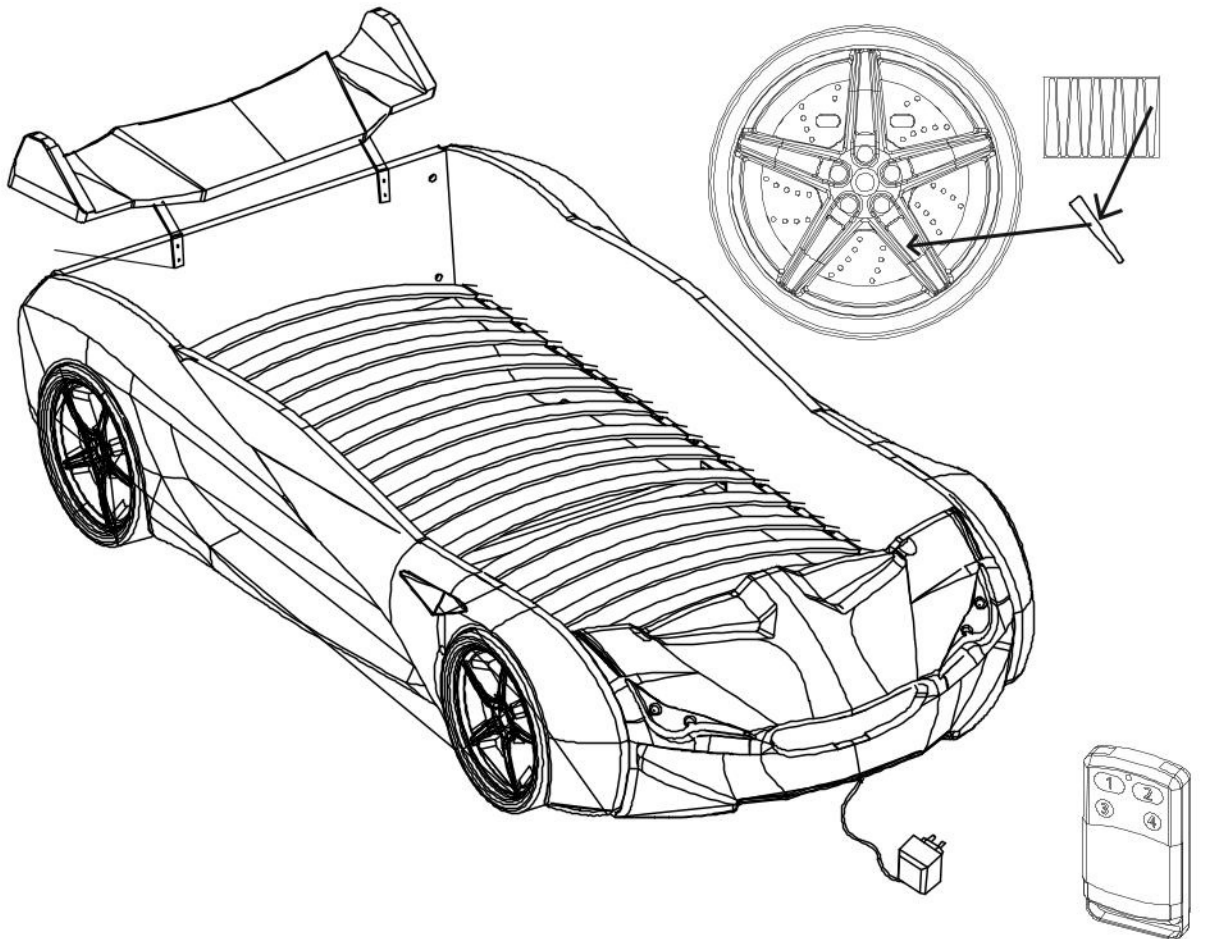


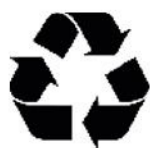
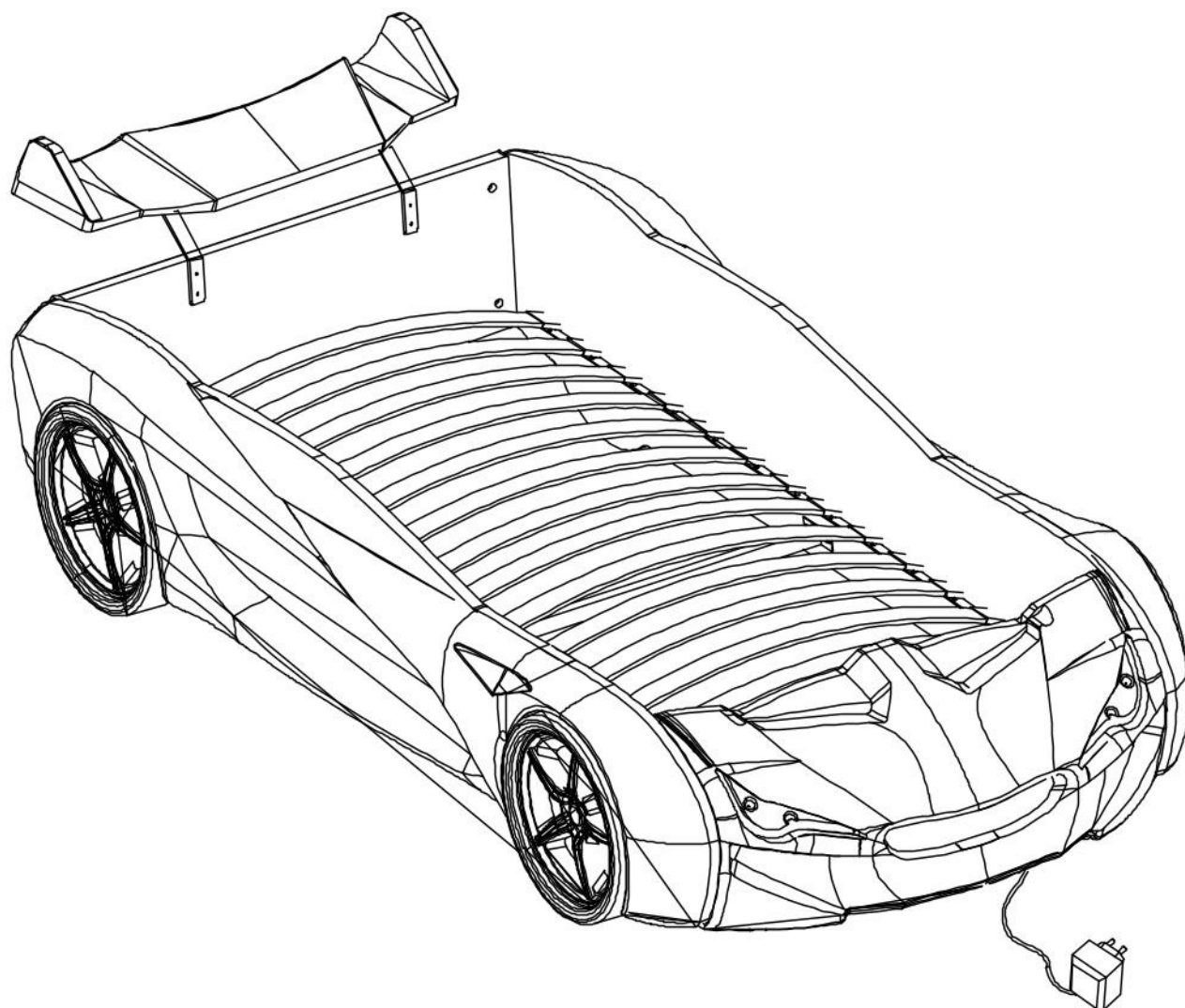
6



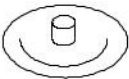
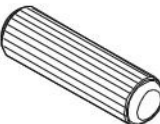

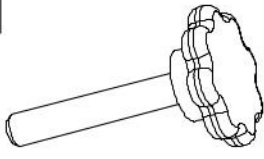

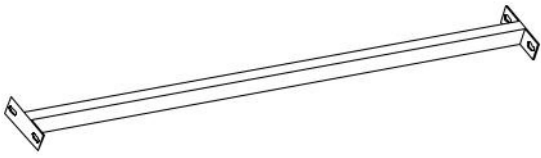
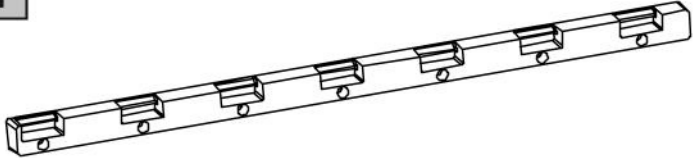


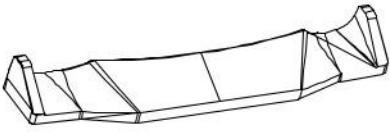



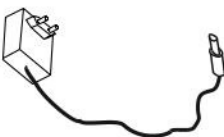




7

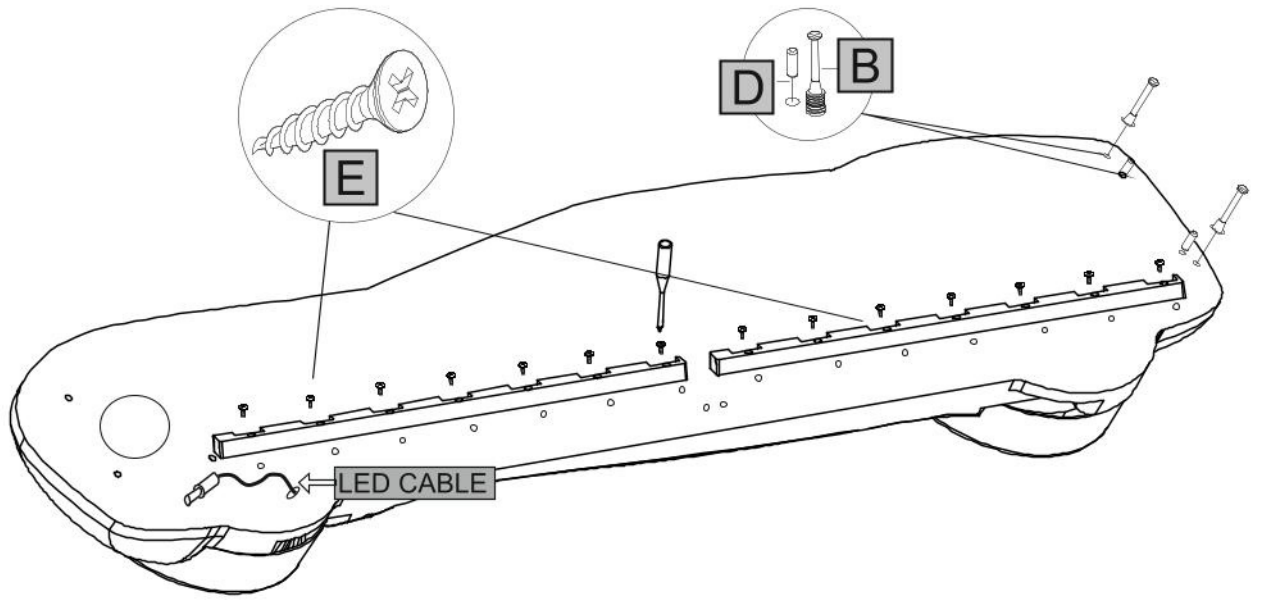


# Postel auto 90x190 GRAND PRIX

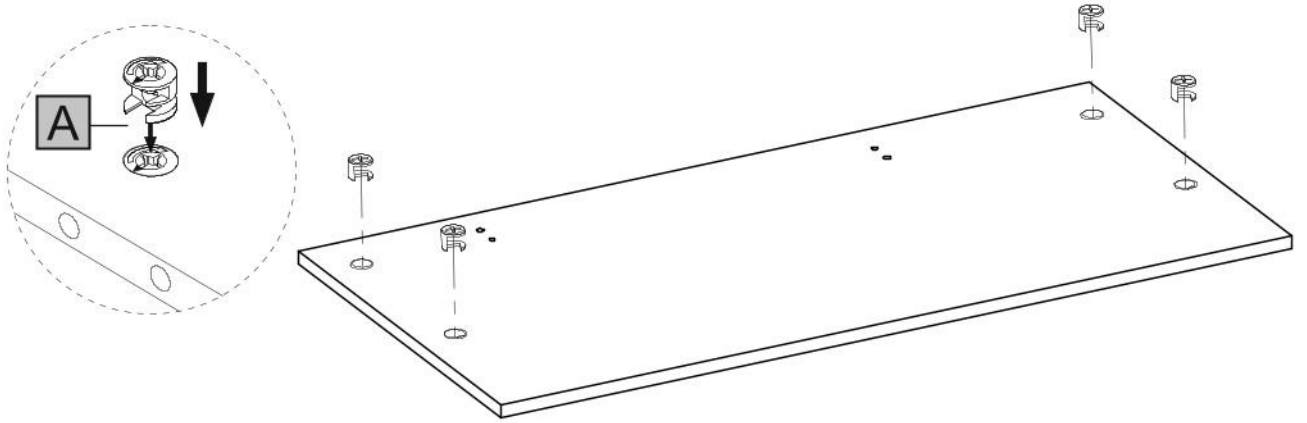


<p><b>A</b></p> 	<p><b>B</b></p> 	<p><b>C</b></p> 	<p><b>D</b></p> 
<p>MINIFIX NUT x4 pc.</p>	<p>MINIFIX STUD x4 pc.</p>	<p>MINIFIX WHITE PLUG x4 pc.</p>	<p>DOWEL x4 pc.</p>
<p><b>E</b></p> 	<p><b>F</b></p> 	<p><b>G</b></p> 	
<p>YSB SCREWS M5x35 x28 pc.</p>	<p>BUTTERFLY BOLT M6 x4 pc.</p>	<p>YSB SCREWS M6x12 x4 pc.</p>	
<p><b>H</b></p> 		<p><b>I</b></p> 	
<p>SLAT'S SUPPORT STEEL x1 pc.</p>		<p>SLAT'S SUPPORT x4 pc.</p>	
<p><b>K</b></p> 			
<p>SLATS x14 pc.</p>	<p>SPOILER HOLDER x2pc</p>	<p>SPOILER x1pc</p>	
<p><b>L</b></p> 	<p><b>M</b></p> 		
<p>3x18 BACKREST SCREW x6 pc.</p>	<p>YSB M6x12 SCREW x4 pc.</p>	<p>REMOTE CONTROL x1pc</p>	<p>ADAPTOR x1pc</p>
			
			<p>PAGE: 2/5</p>

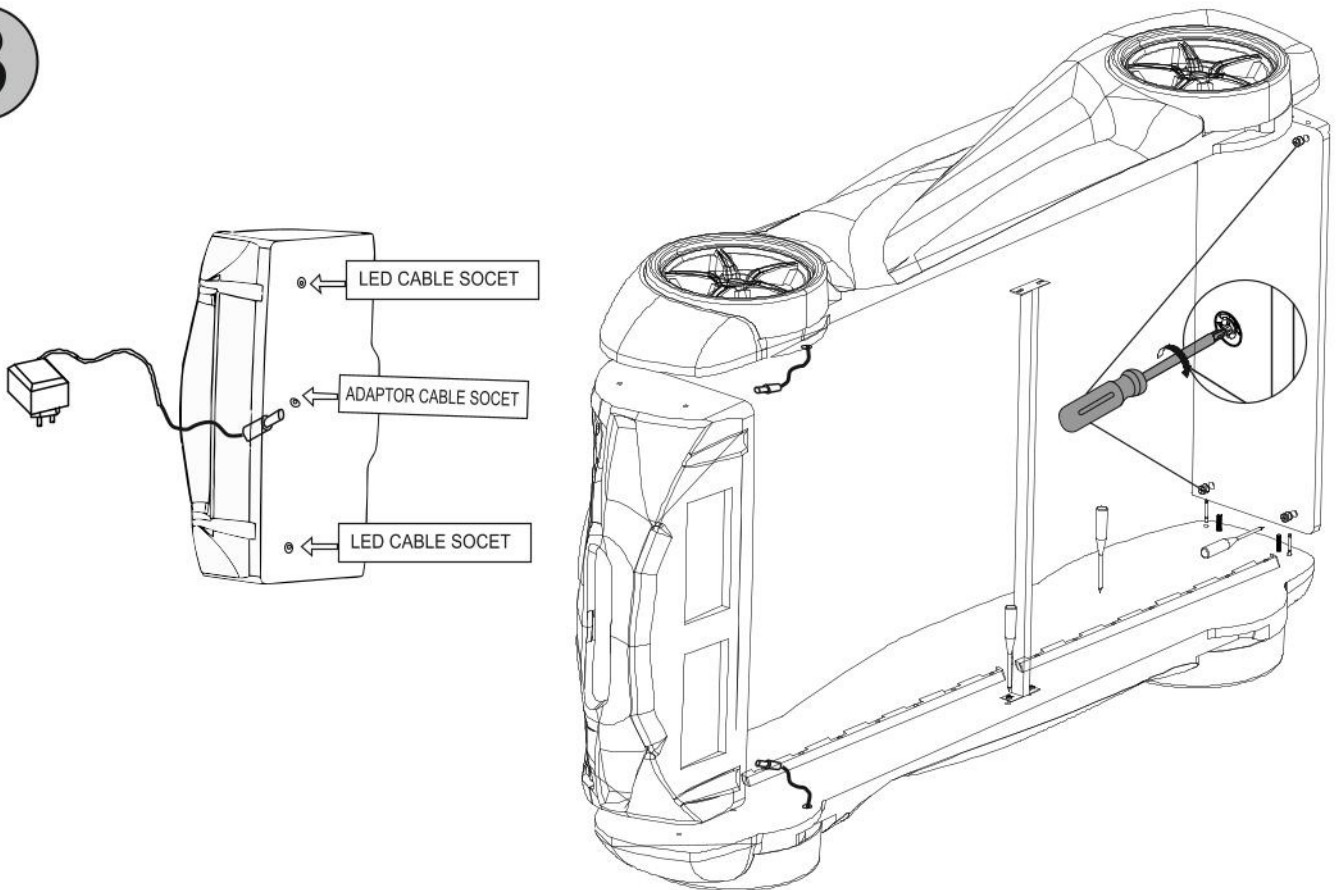
1



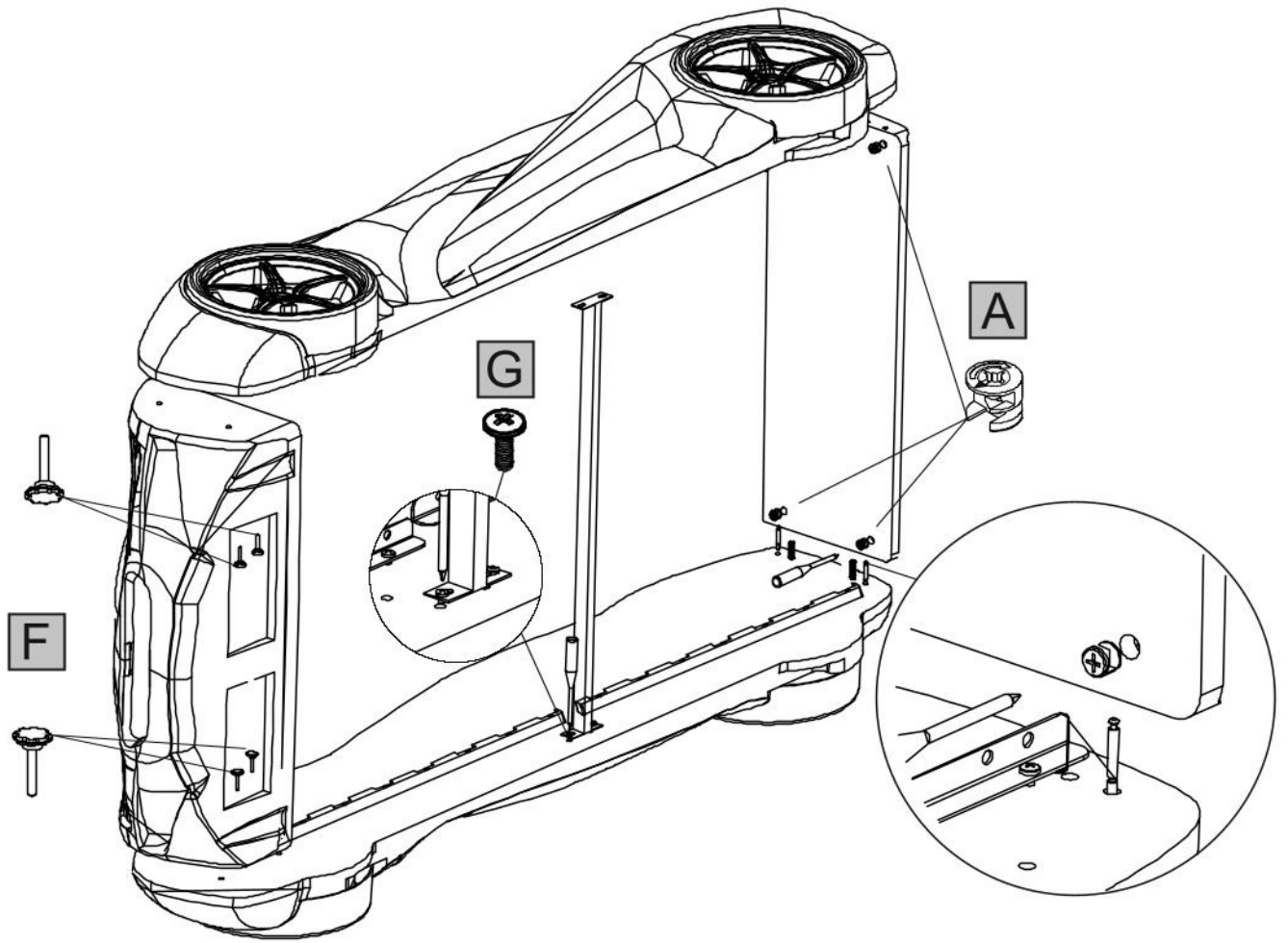
2



3



4



5

