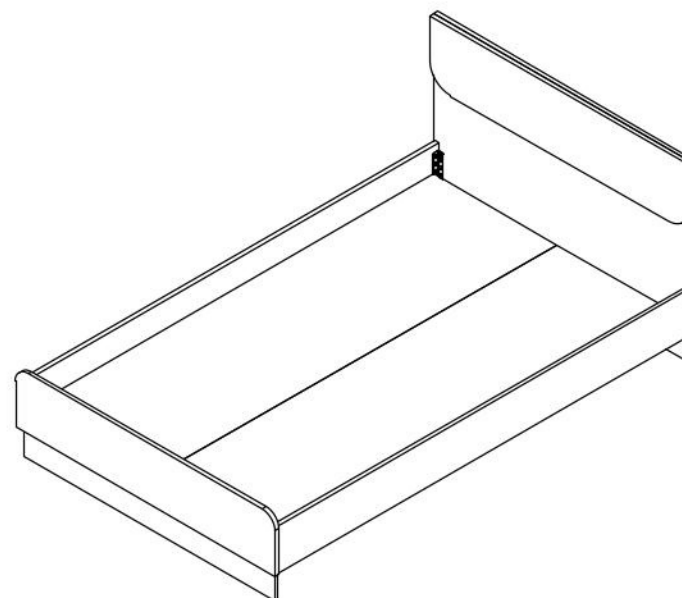
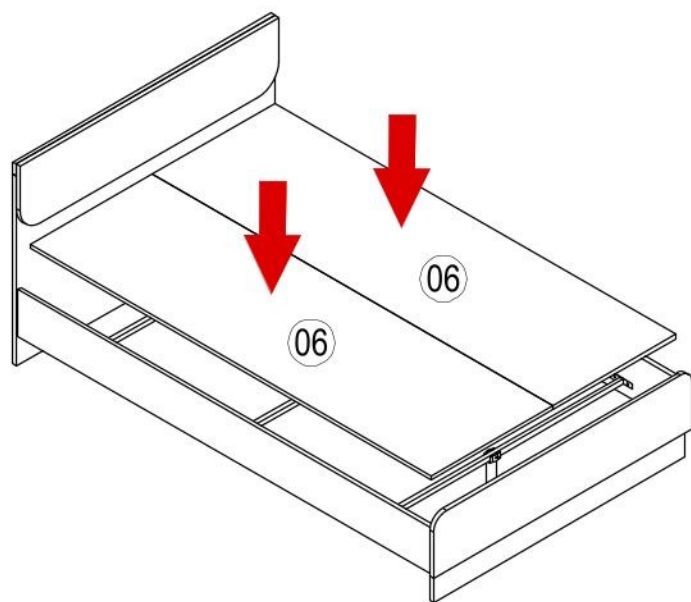
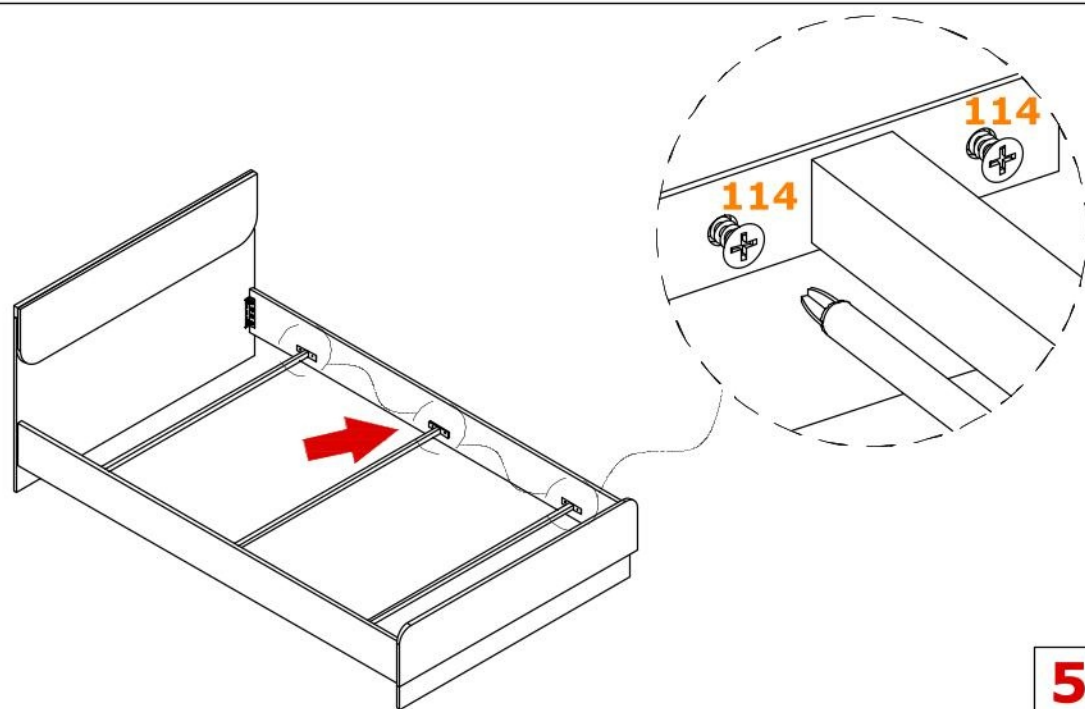
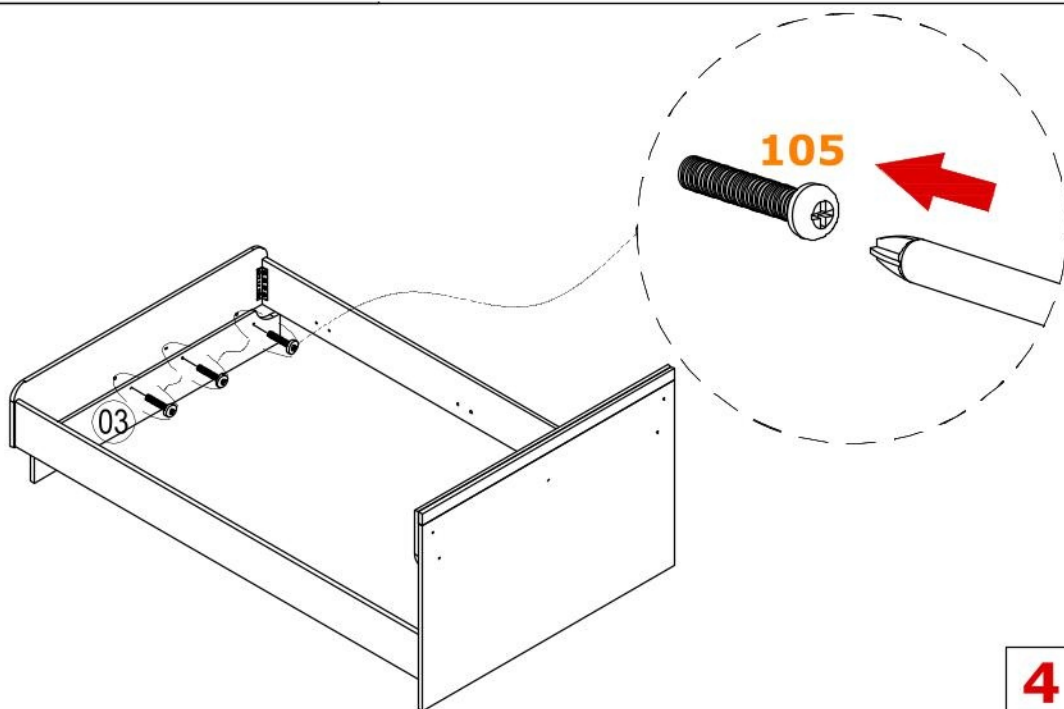
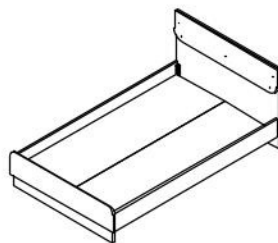


# INSTALLATION STEPS

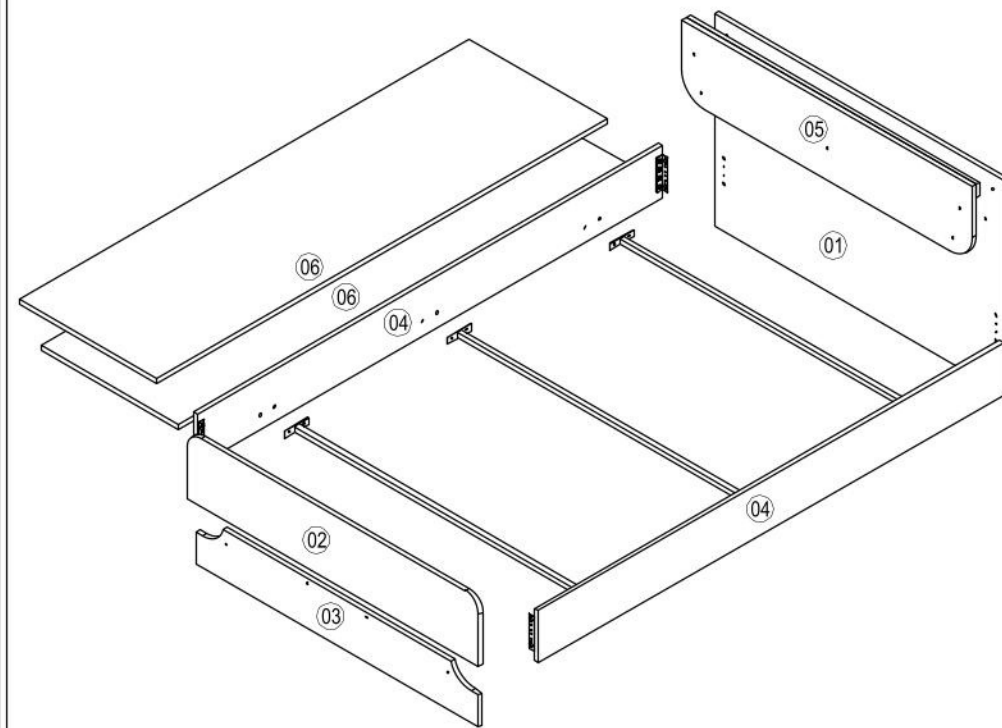


**6**

# Studentská postel 90x200 COLIN



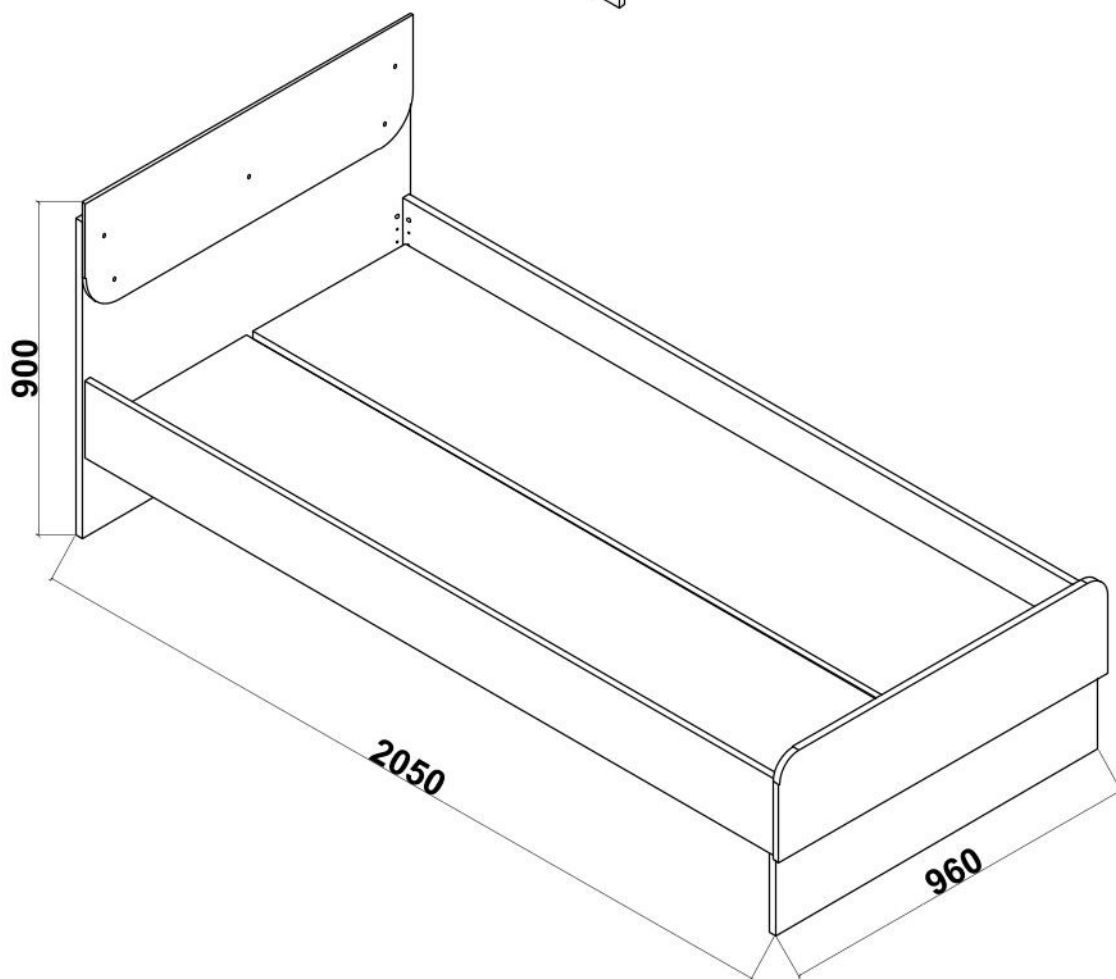
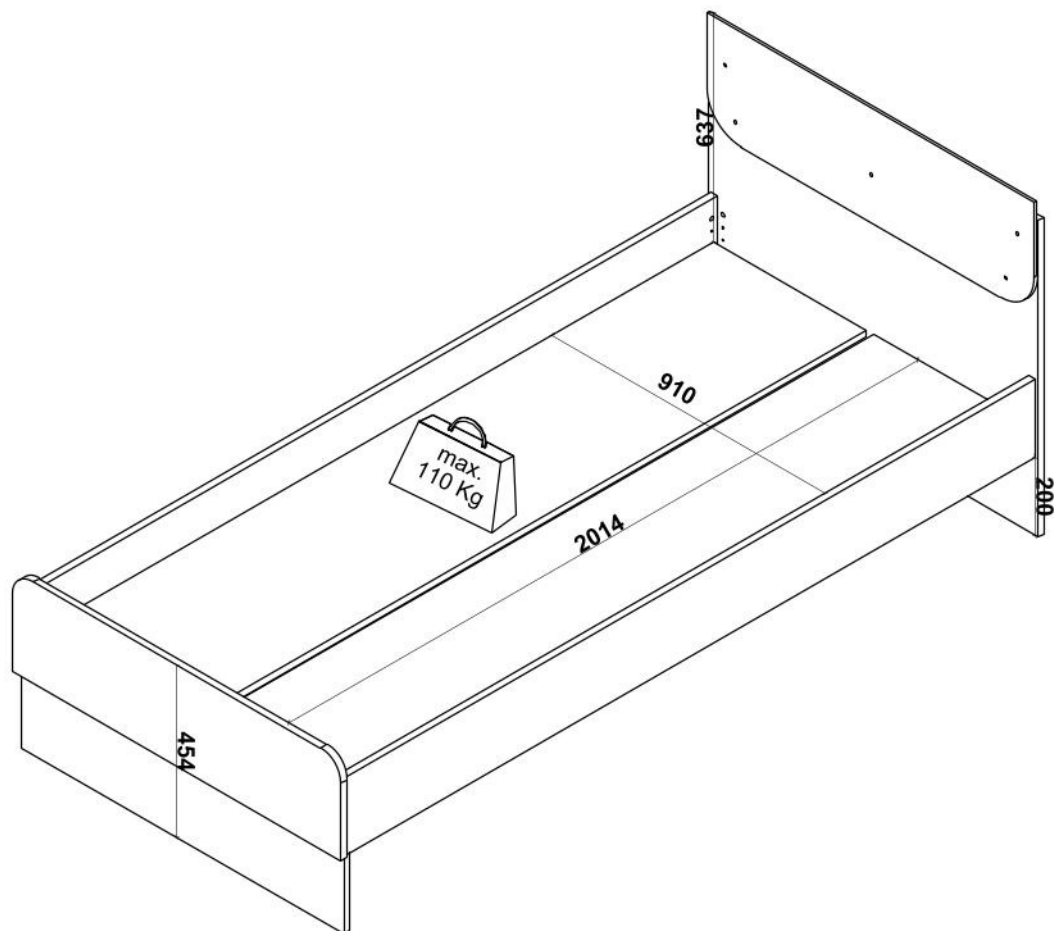
<p>ACCESSORIE NO : 114 M6*15 YSB VÍDA</p>  <p>28 ADET</p>	<p>ACCESSORIE NO : 032 MANNESMAN 910</p>  <p>3 ADET</p>	<p>ACCESSORIE NO : 031 KARYOLA MENTEŞE</p>  <p>4 ADET</p>	<p>ACCESSORIE NO : 105 M6*30 YSB VÍDA</p>  <p>9 ADET</p>	<p>ACCESSORIE NO : 092 4*18 MM S. VÍDASI</p>  <p>16 ADET</p>
--	--	--	---	---

NO	ADET/PCS	ÖLÇÜ/DIMENSIONS	NO	ADET/PCS	ÖLÇÜ/DIMENSIONS	NO	ADET/PCS	ÖLÇÜ/DIMENSIONS
01	1	960 X 850						
02	1	960 X 256						
03	1	940 X 268						
04	2	2014 X 196						
05	1	956 X 290						
06	2	1950 X 445						

PLEASE ORDER THE ACCESSORIES ACCORDING TO THE REFERENCE NUMBER ON THE DRAWING(EXAMPLE ACCESSORIE NO-008 RAFIX MIL 1.PCS.)

PLEASE ORDER THE SPARE PARTS ACCORDING TO THE REFERENCE NUMBER ON THE DRAWING



# INSTALLATION STEPS

