





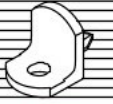
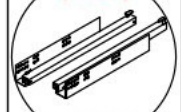

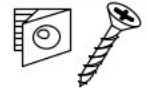


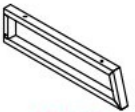



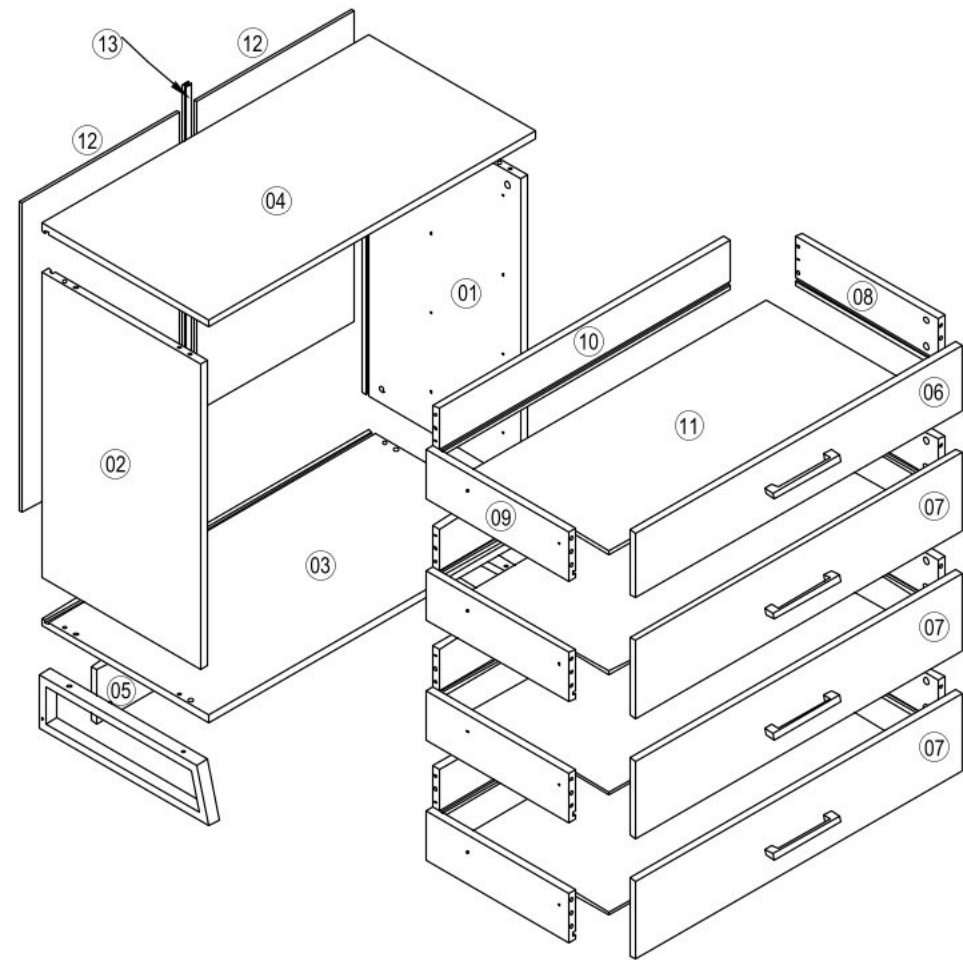


Šuplíková komoda FALKO



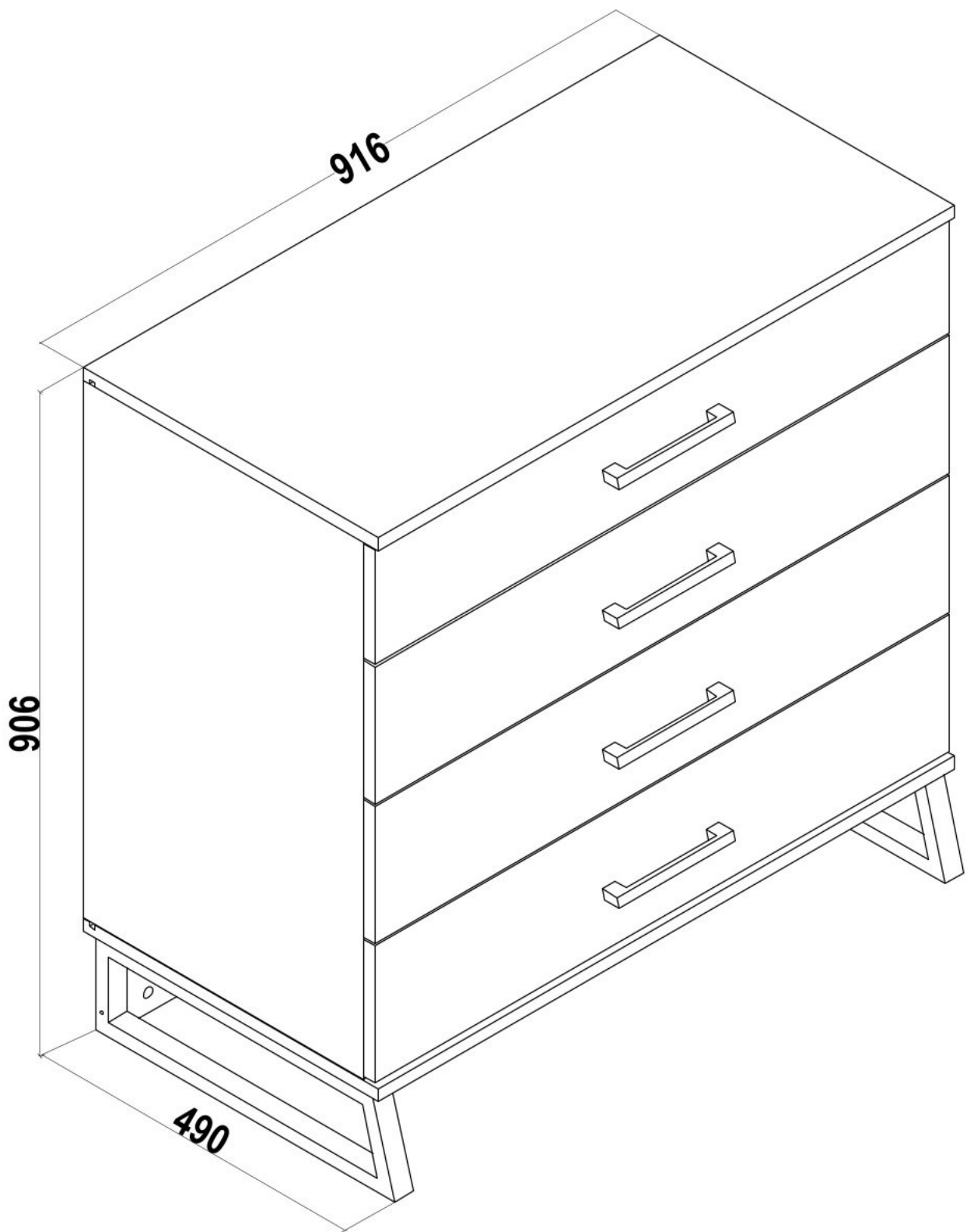
<p>ACCESSORIE NO : 317 10'LUK MİNİFİK MİL</p>  <p>32 ADET</p>	<p>ACCESSORIE NO : 002 TİTUS MİNİFİK GÖVDE</p>  <p>33 ADET</p>	<p>ACCESSORIE NO : 001 MİNİFİK MİL 6 MM</p>  <p>1 ADET</p>	<p>ACCESSORIE NO : 004 Ø8x30 KAVELA</p>  <p>32 ADET</p>	<p>ACCESSORIE NO : 020 MİNİFİK TAPA BEYAZ</p>  <p>16 ADET</p>
<p>ACCESSORIE NO : 120 6.3*13 MM EURO VİDA</p>  <p>24 ADET</p>	<p>ACCESSORIE NO : 406 PLS. RAF PİMİ EURO VİDALI</p>  <p>8 ADET</p>	<p>ACCESSORIE NO : 351 TANDEM RAY 400 (SAMET)</p>  <p>4 TAKIM</p>	<p>ACCESSORIE NO : 238 M6*35 ALYAN VİDA</p>  <p>4 ADET</p>	<p>ACCESSORIE NO : 011 ARKALIK SABİTLEME 3.5x25 S.VİDASI</p>  <p>8 ADET</p>
<p>ACCESSORIE NO : 213 M6*70 ALYAN VİDA</p>  <p>2 ADET</p>	<p>ACCESSORIE NO : 510 Ø15 METAL SİLİNDİRİK SOMUN</p>  <p>2 ADET</p>	<p>ACCESSORIE NO : 515 AYAK(M081)</p>  <p>2 ADET</p>	<p>ACCESSORIE NO : 513 COSMOS KULP</p>  <p>4 ADET</p>	<p>ACCESSORIE NO : 115 M4*23 MM VİDA</p>  <p>8 ADET</p>
<p>ACCESSORIE NO : 131 4mm ALYAN ANAHTAR</p>  <p>1 ADET</p>				

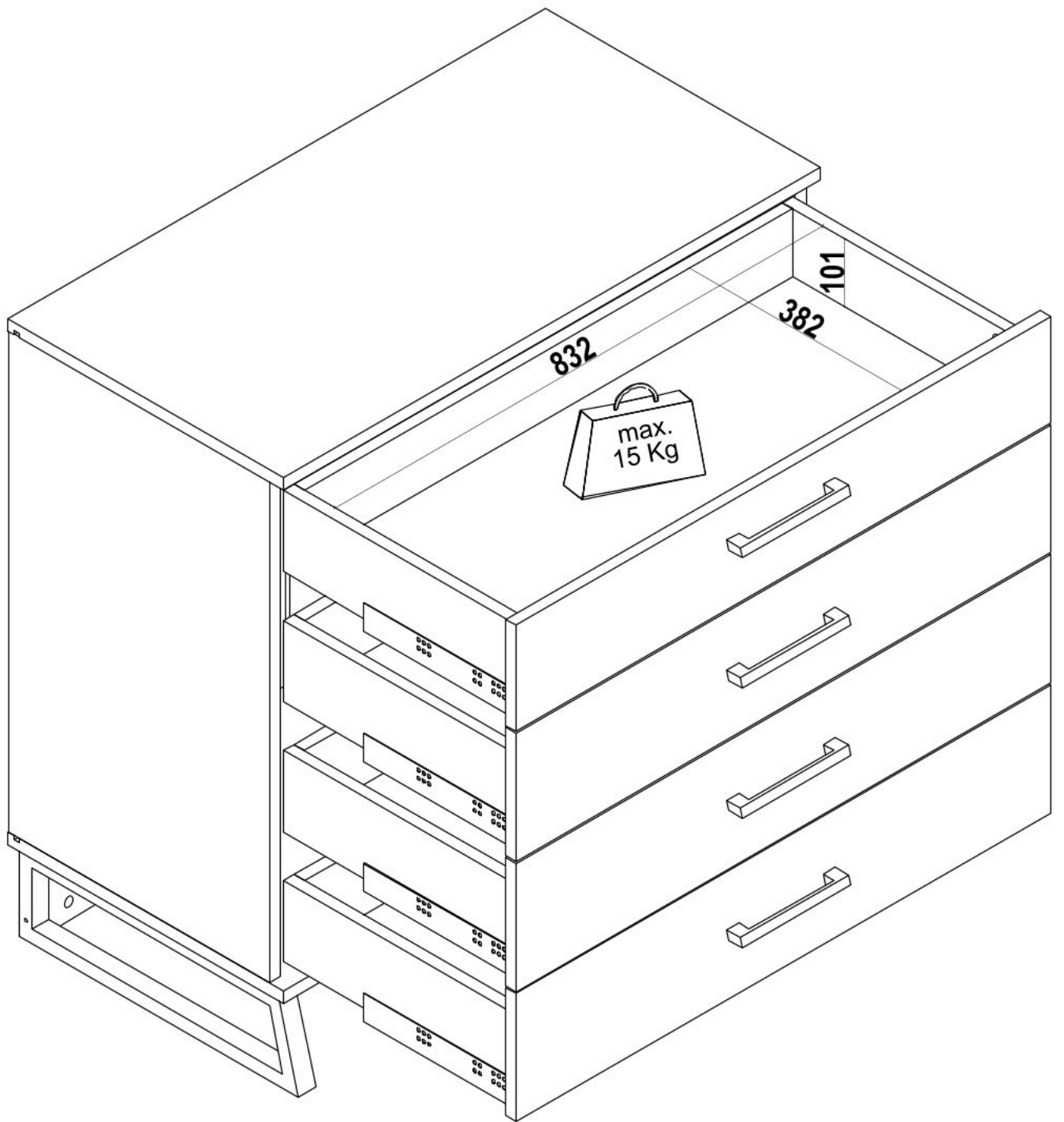


NO	ADET/PCS	ÖLÇÜ/DIMENSIONS	NO	ADET/PCS	ÖLÇÜ/DIMENSIONS	NO	ADET/PCS	ÖLÇÜ/DIMENSIONS
01	1	740 X 445	11	4	842 X 387			
02	1	740 X 445	12	2	751 X 441			
03	1	916 X 469	12	1	740 X 26			
04	1	916 X 469						
05	1	846 X 130						
06	1	912 X 157						
07	3	912 X 189						
08	4	400 X 120						
09	4	400 X 120						
10	4	832 X 120						






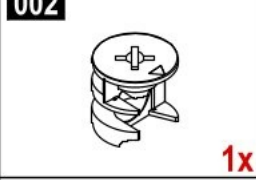

PLEASE ORDER THE ACCESSORIES ACCORDING TO THE REFERENCE NUMBER ON THE DRAWING(EXAMPLE ACCESSORIE NO-008 RAFIX MİL 1.PCS.)

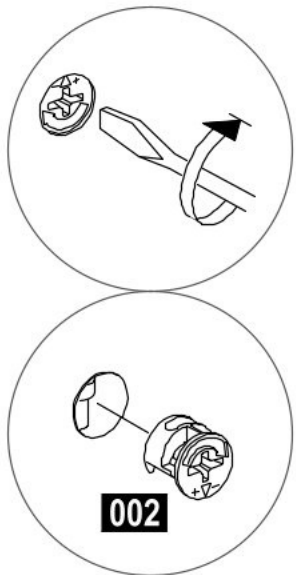
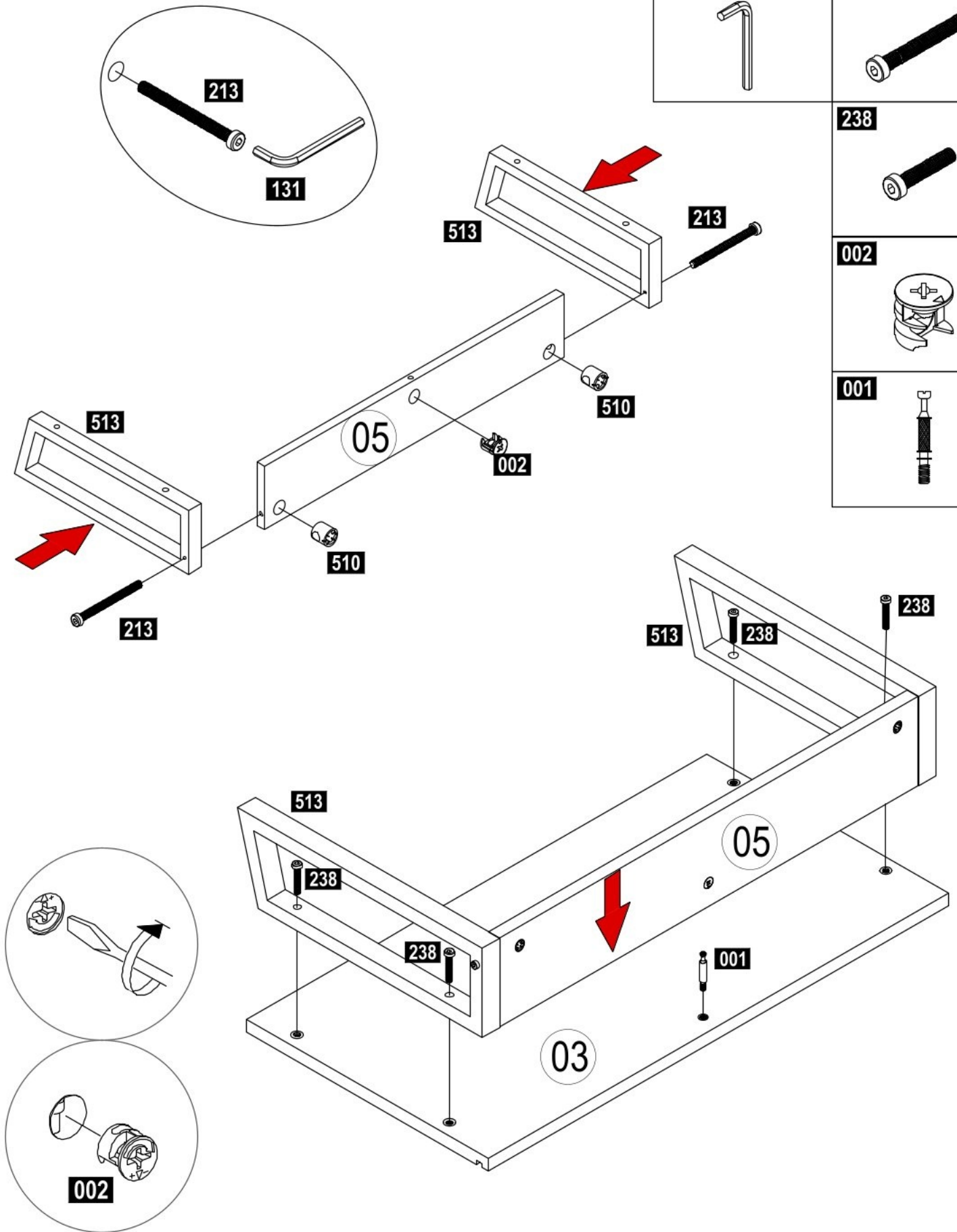
PLEASE ORDER THE SPARE PARTS ACCORDING TO THE REFERENCE NUMBER ON THE DRAWING



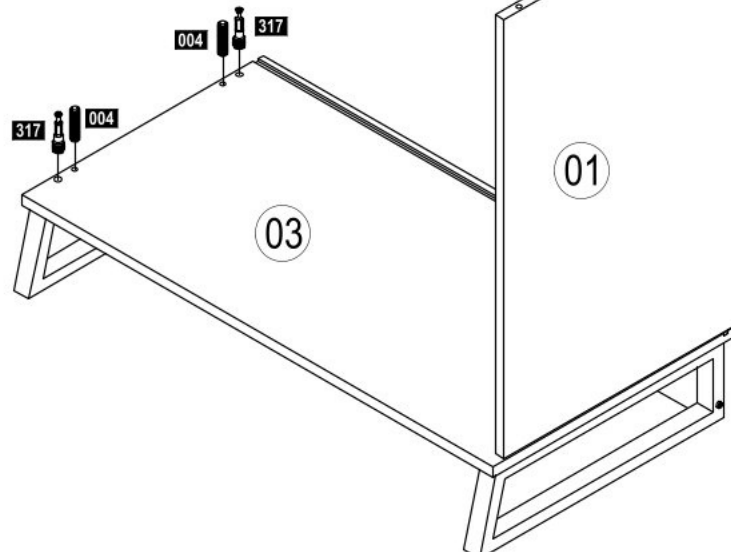
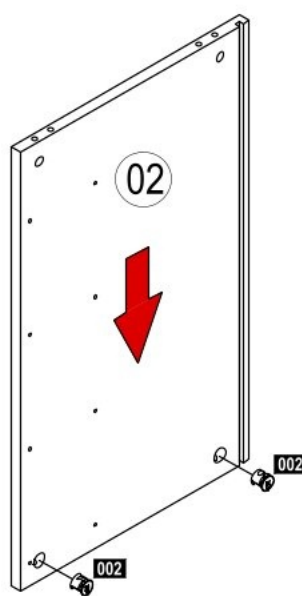
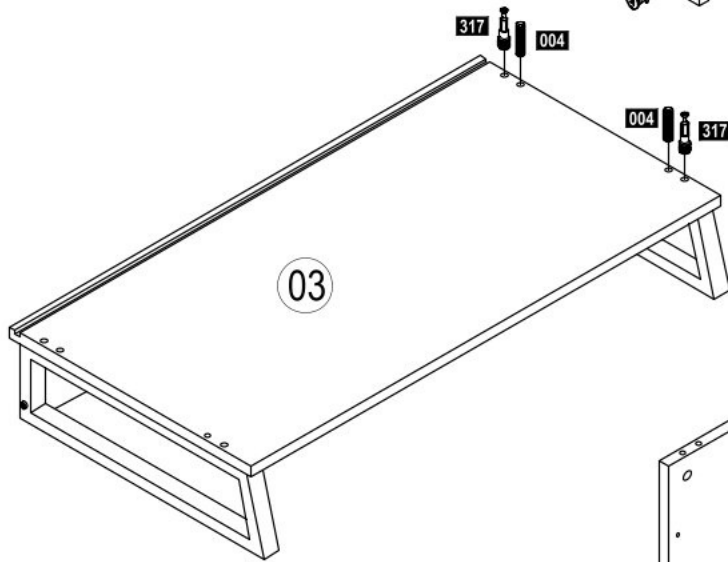
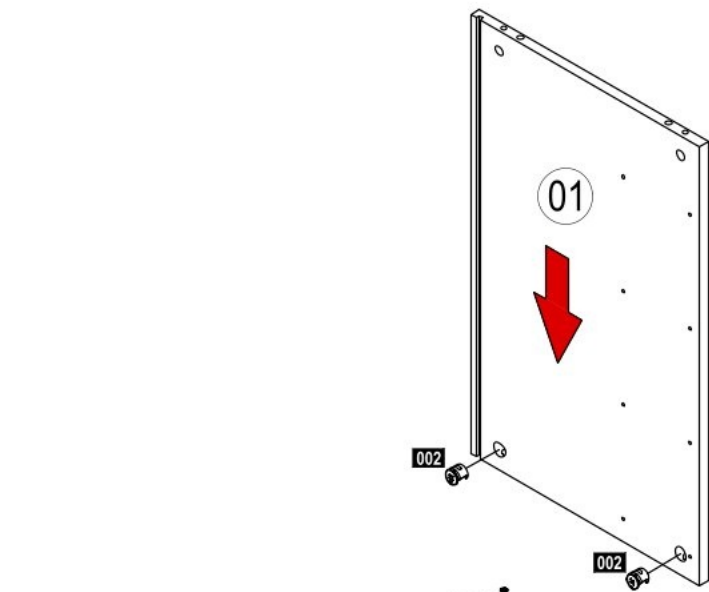





1

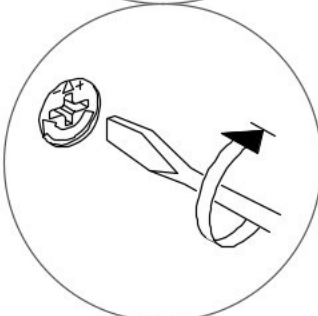
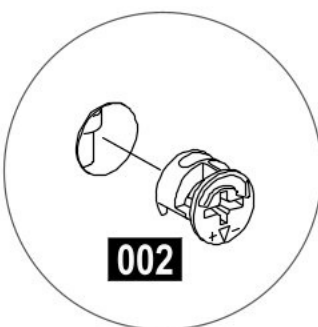
513  2x	510  2x
131  2x	213  2x
238  4x	002  1x
001  1x	



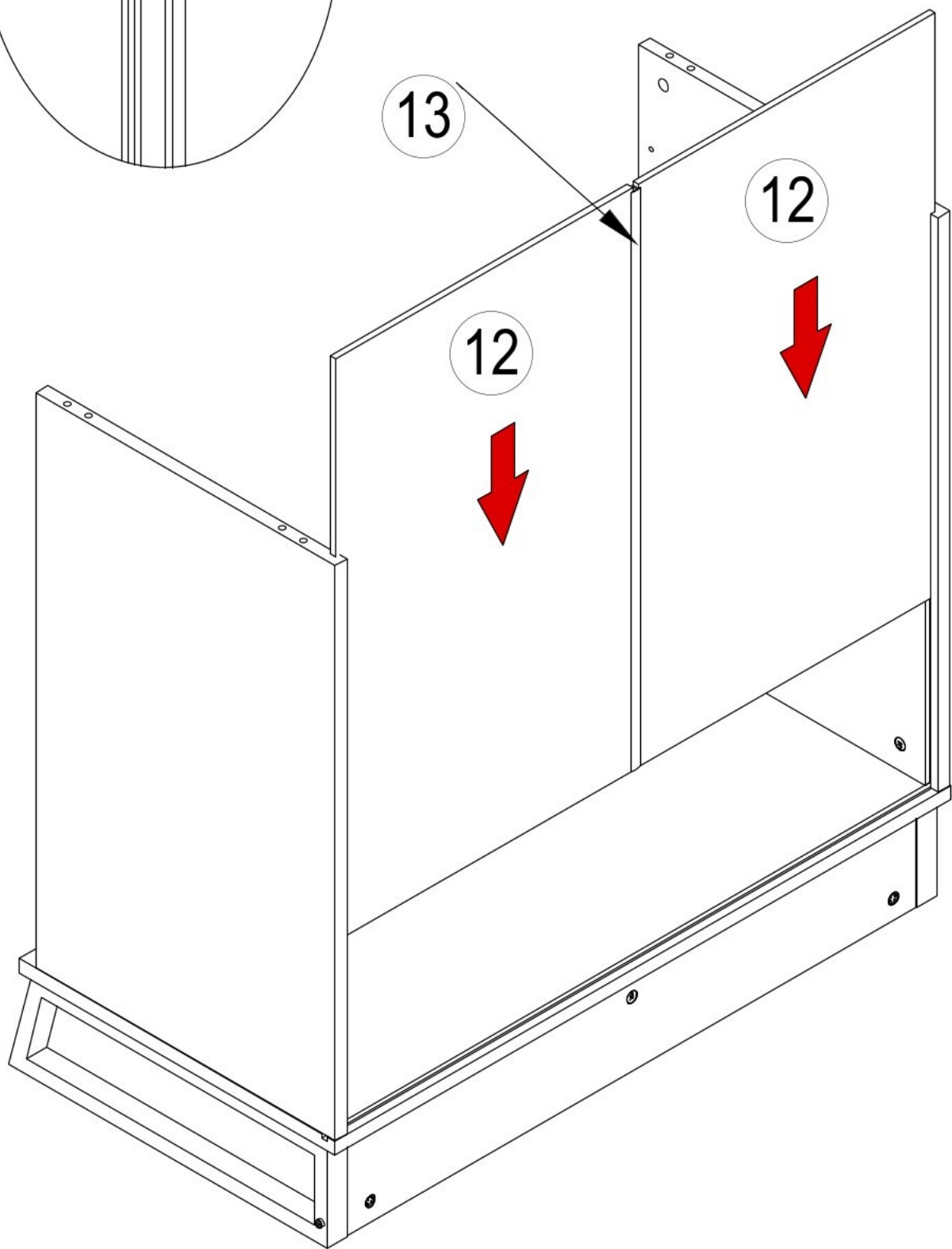
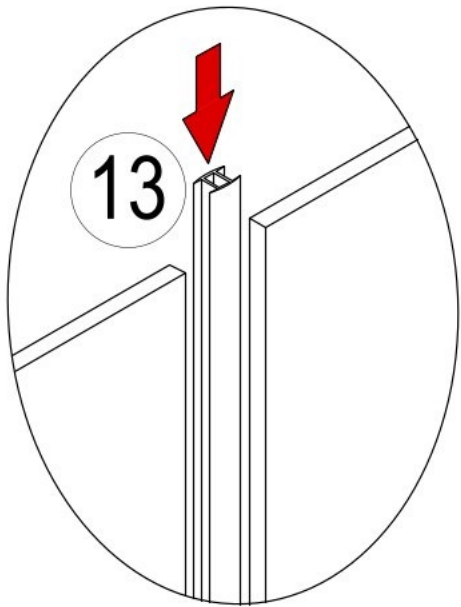
2




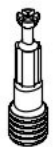

- 002  4x
- 317  4x
- 004  4x

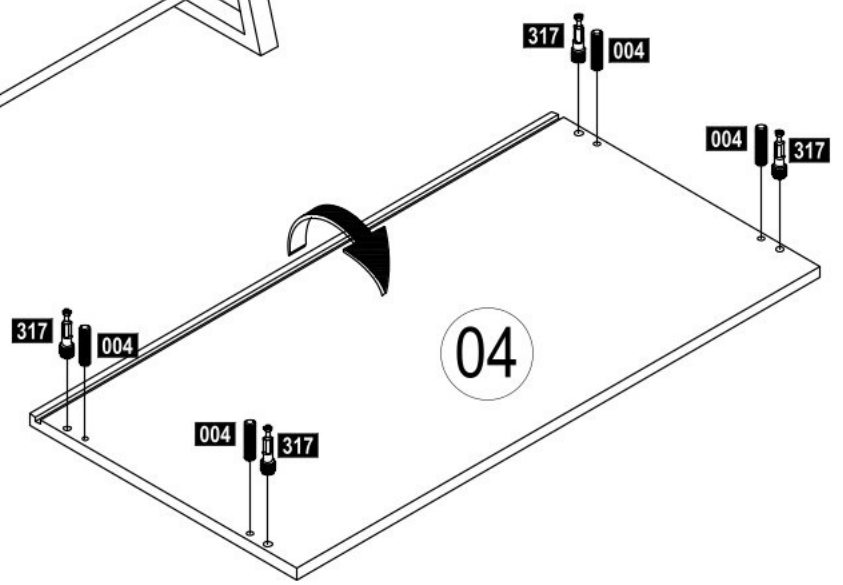
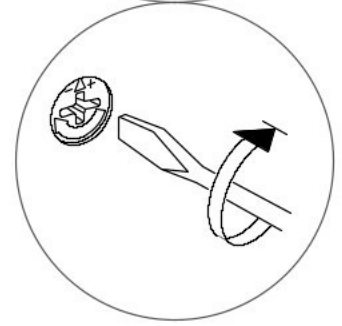
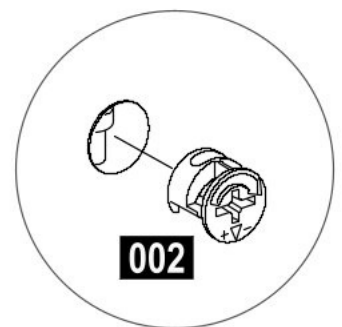
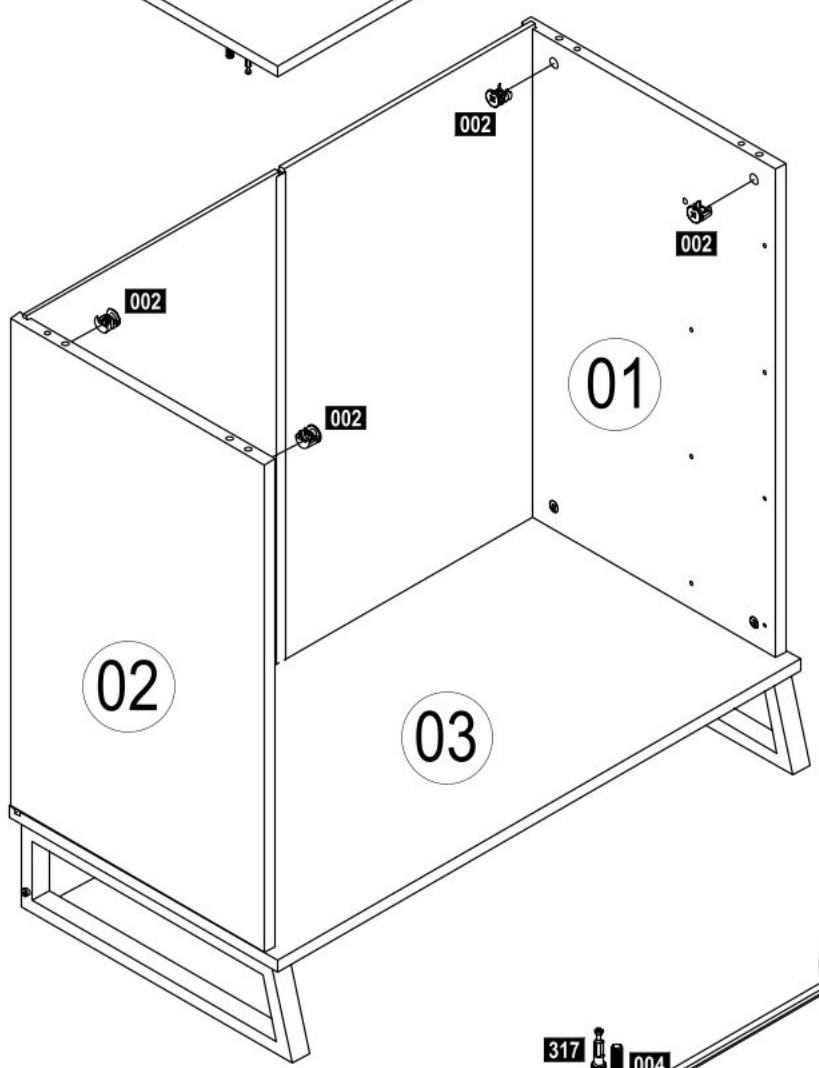
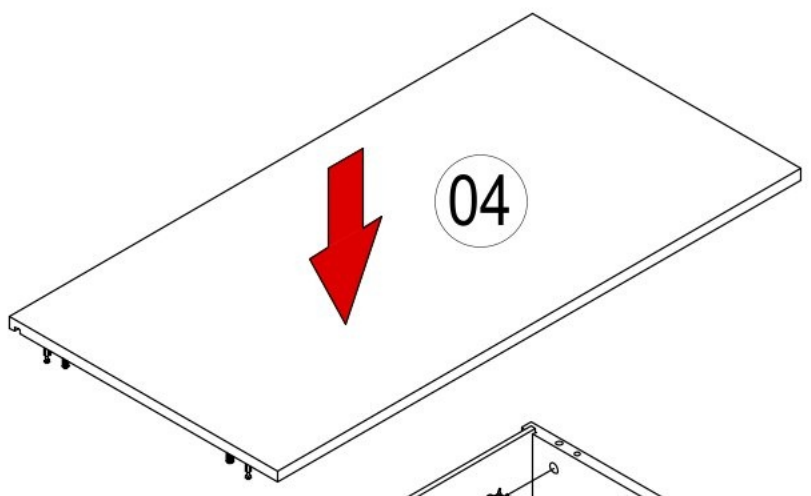


3

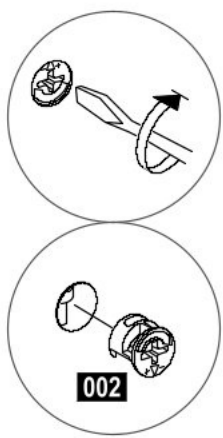
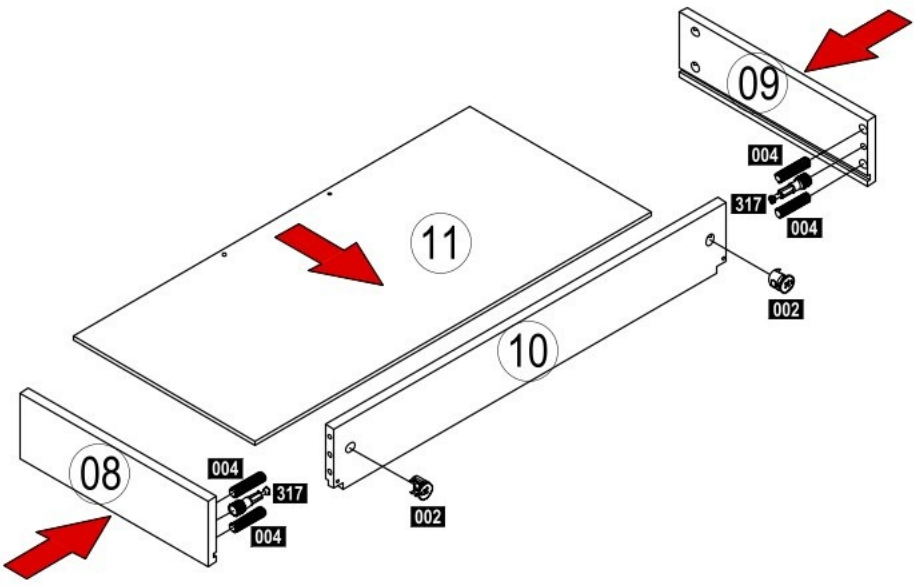





4

- 002  4x
- 317  4x
- 004  4x

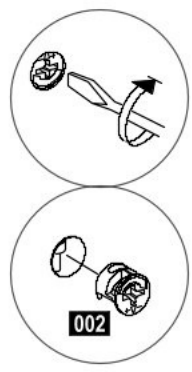
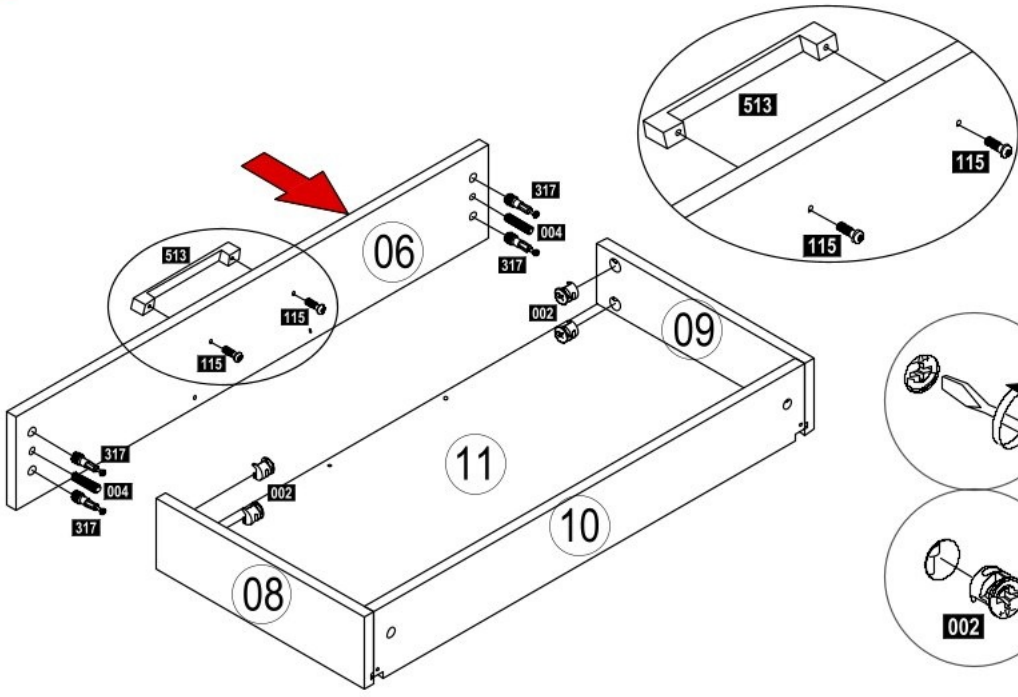







5

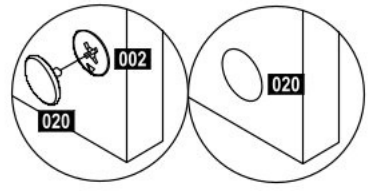


- 002**  2x
- 317**  2x
- 004**  4x

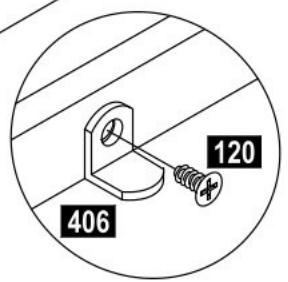
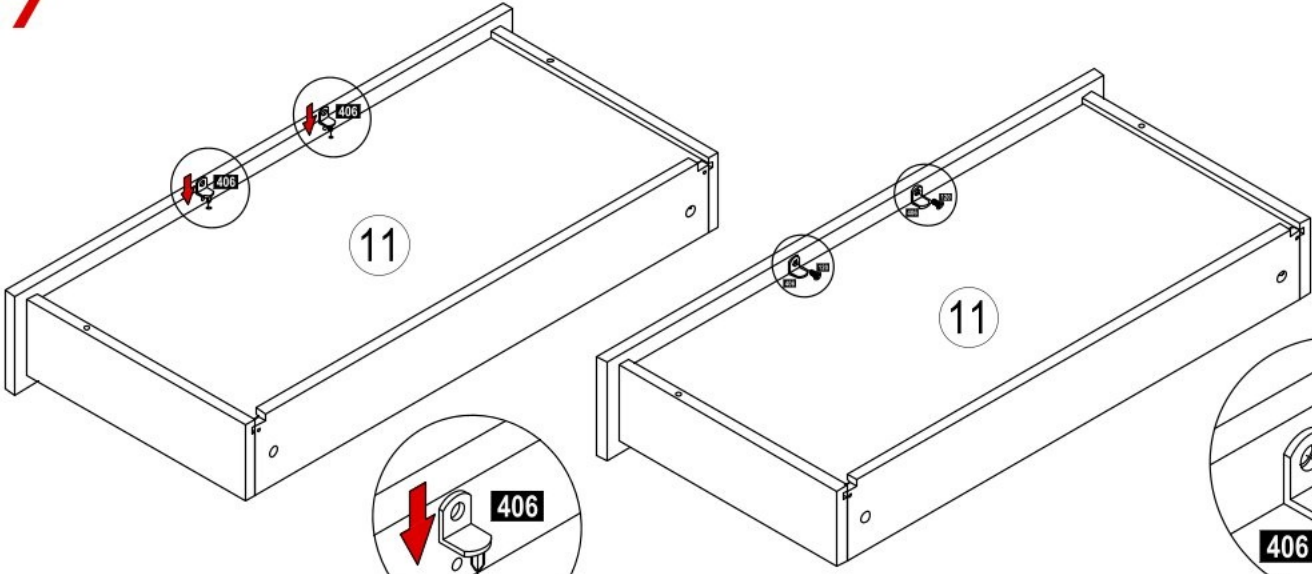
6





- 513**  1x
- 115**  2x
- 020**  4x
- 002**  4x
- 317**  4x
- 004**  2x

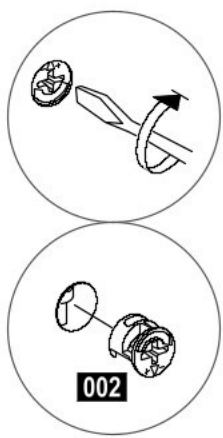
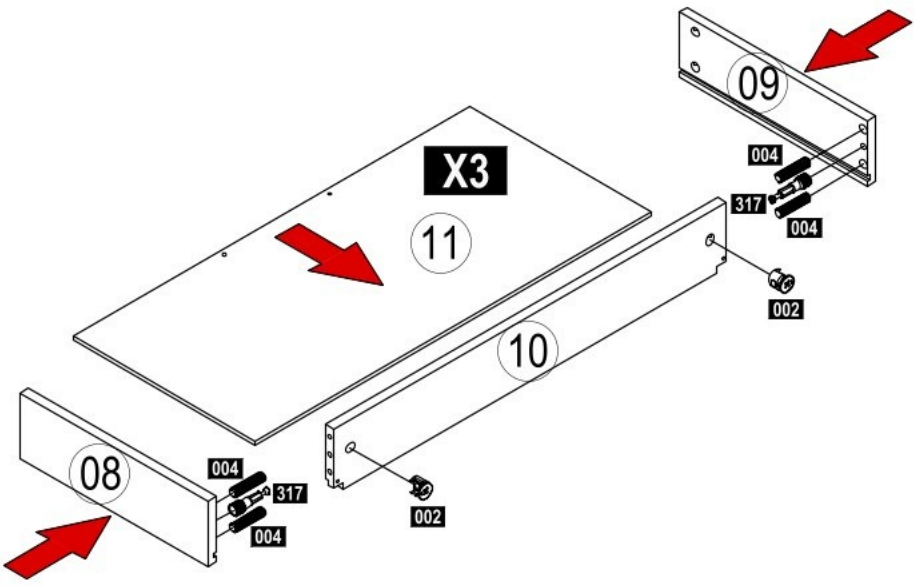





7



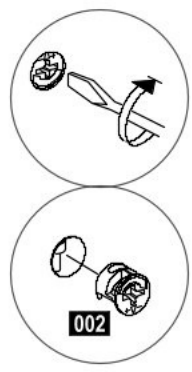
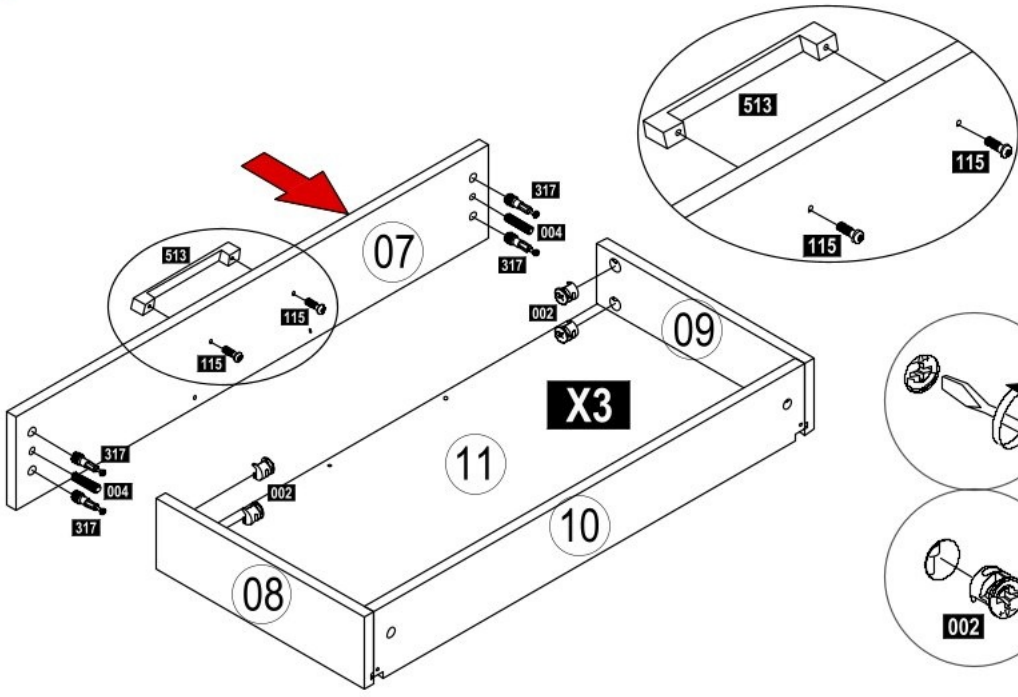
- 406**  2x
- 120**  2x

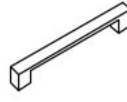





8



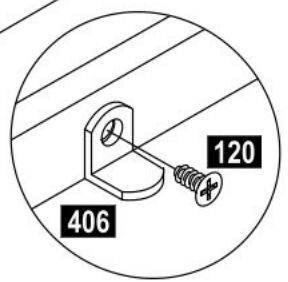
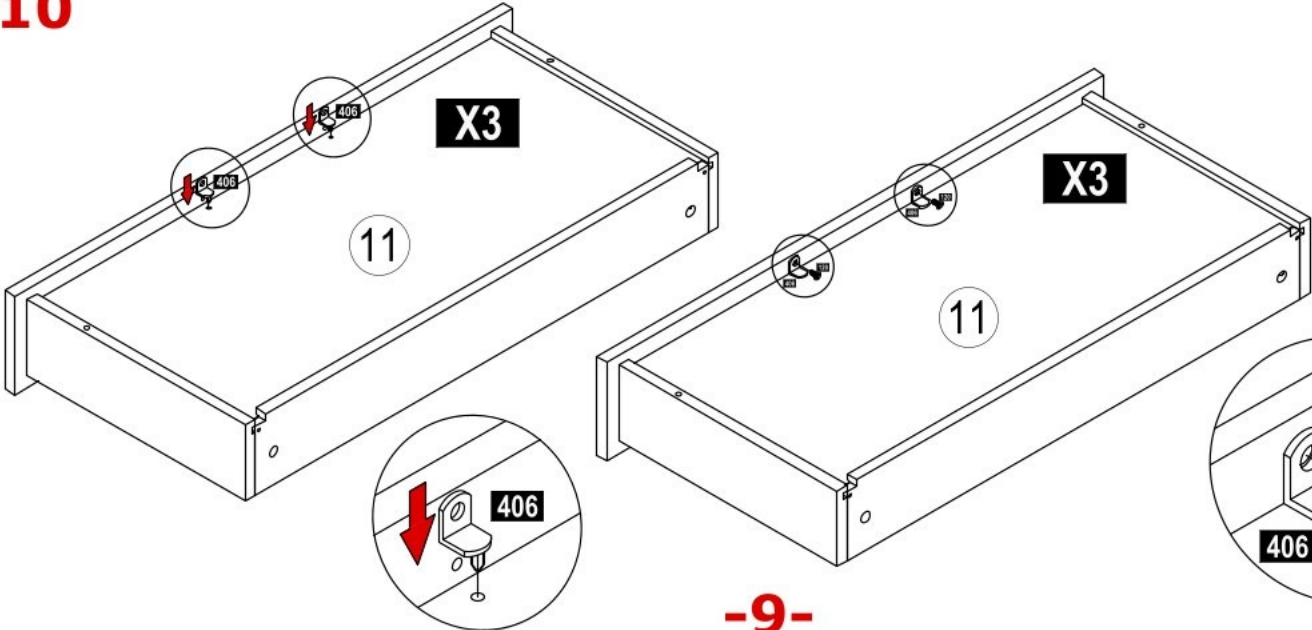
- 002  6x
- 317  6x
- 004  12x



9

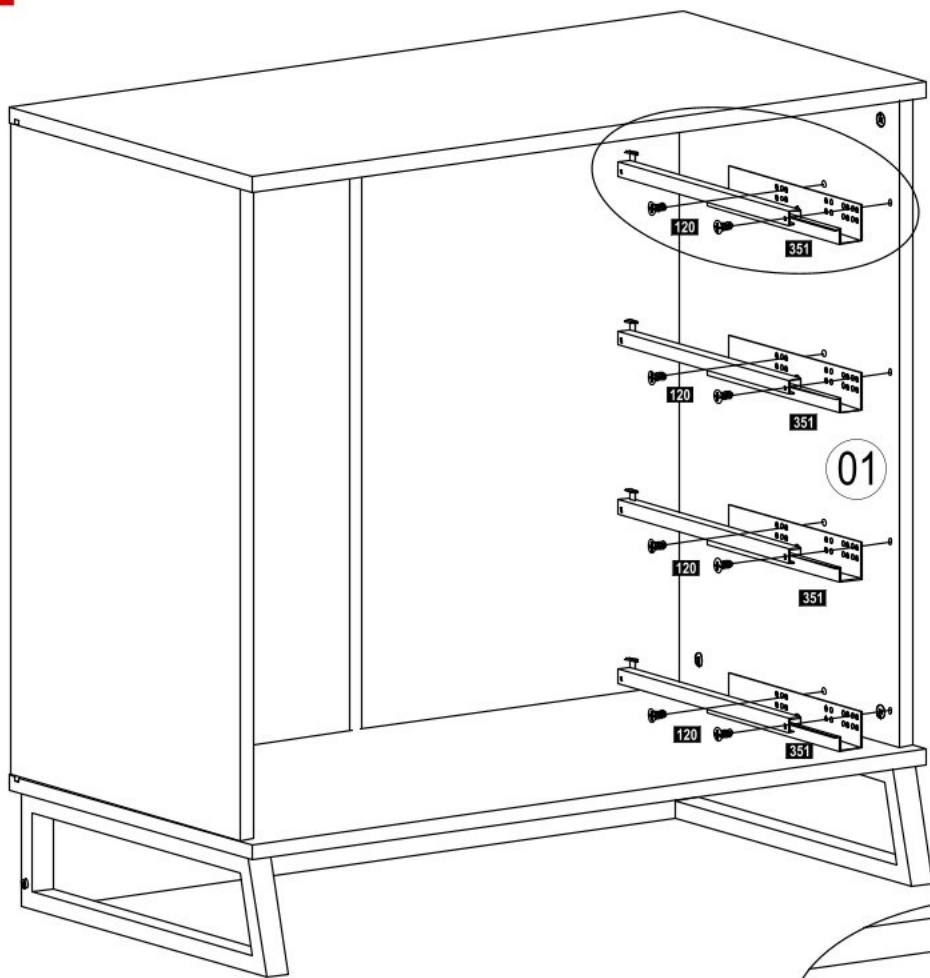


- 513  3x
- 002  12x
- 115  6x
- 317  12x
- 020  12x
- 004  6x

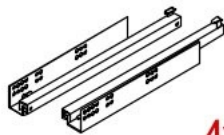
10



- 406  6x
- 120  6x




351

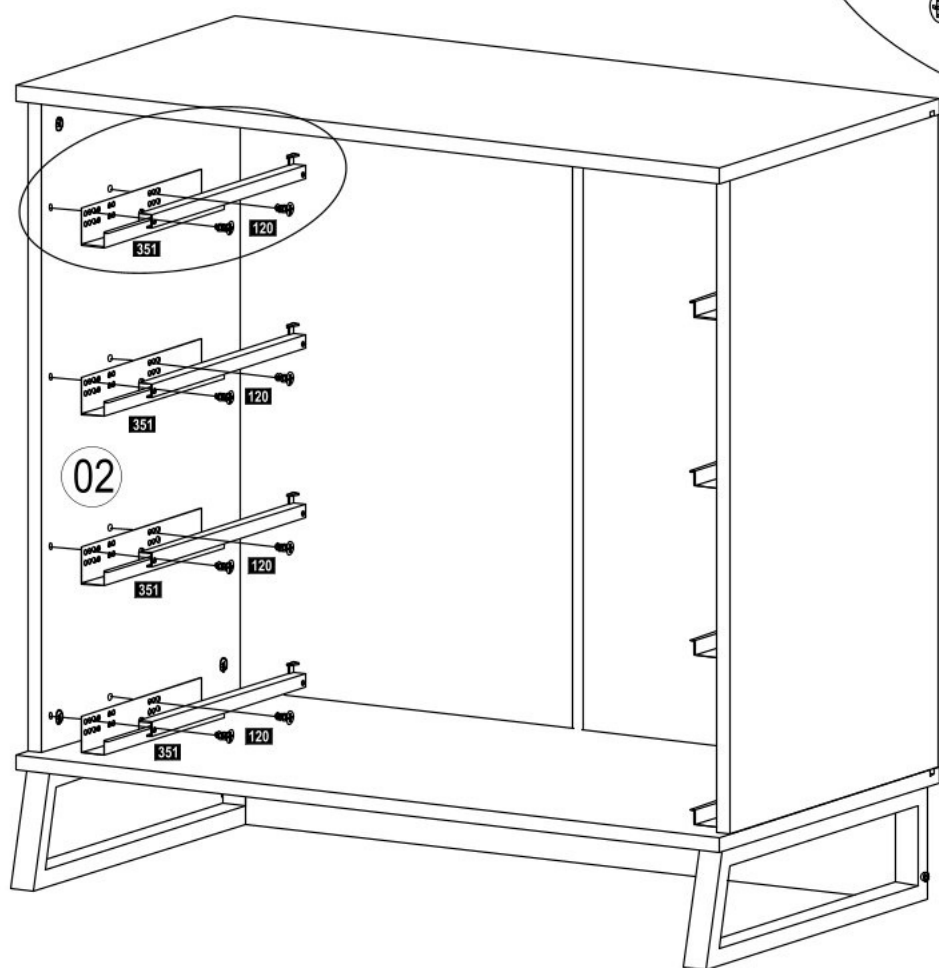
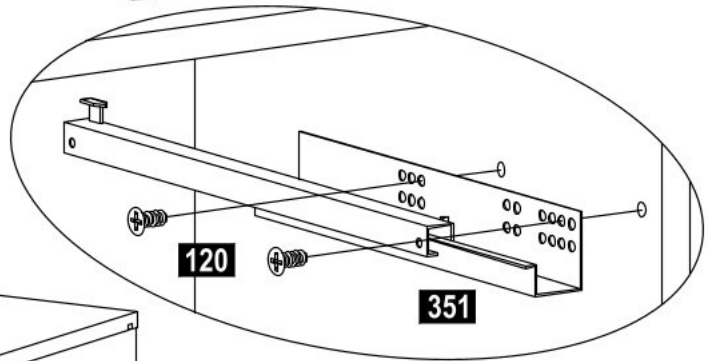


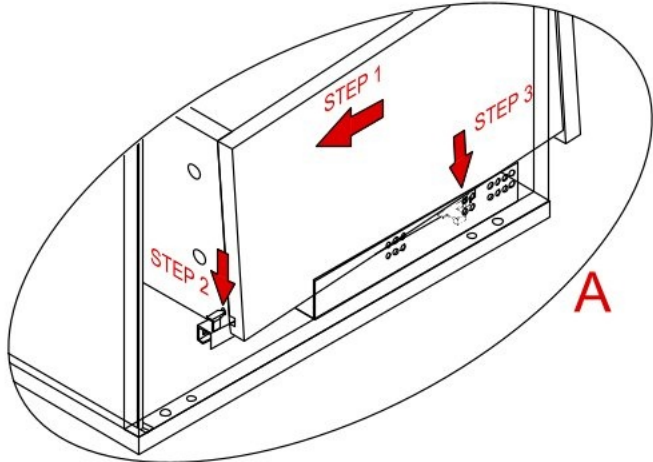
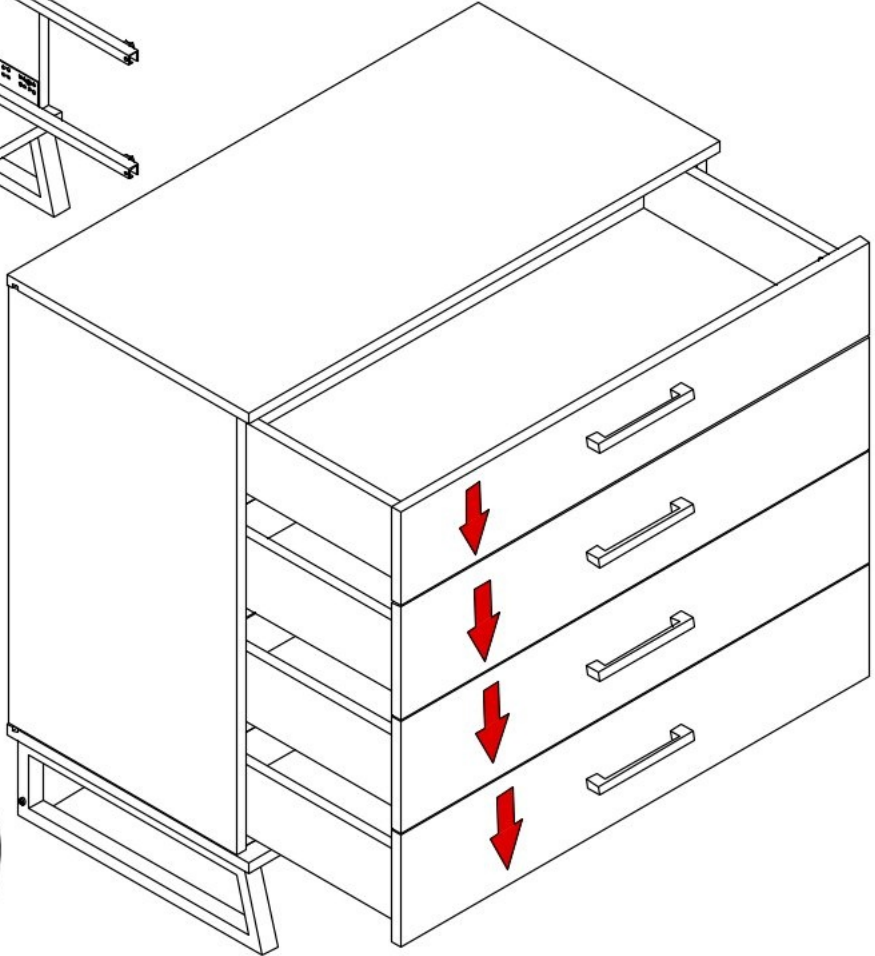
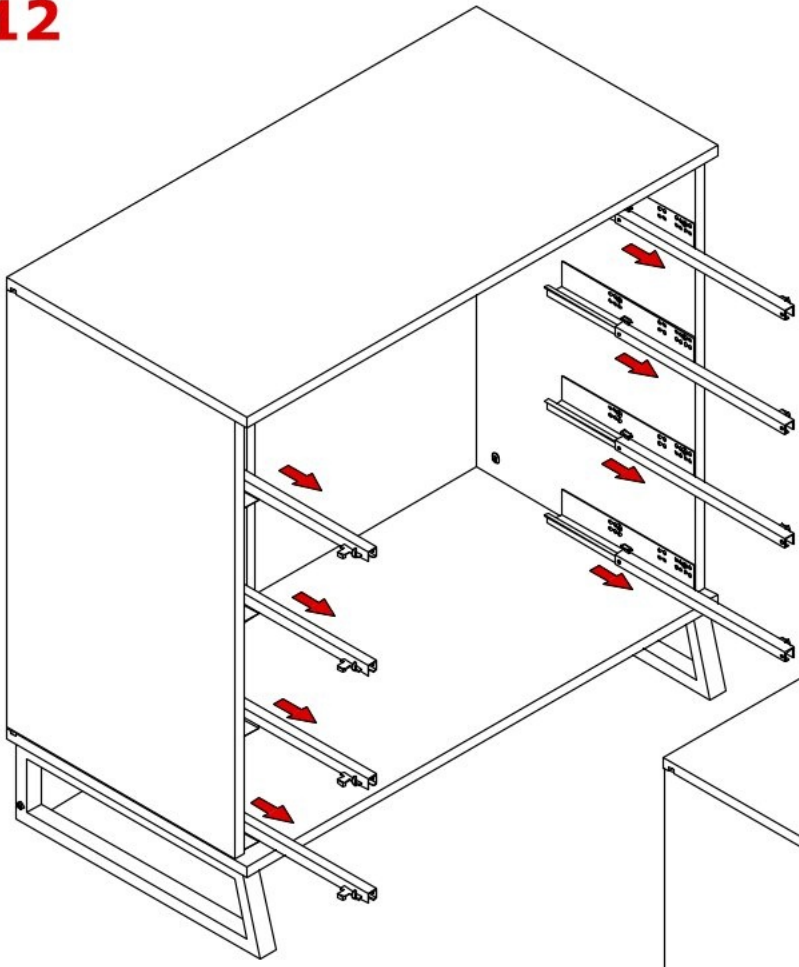
4x

120



16x



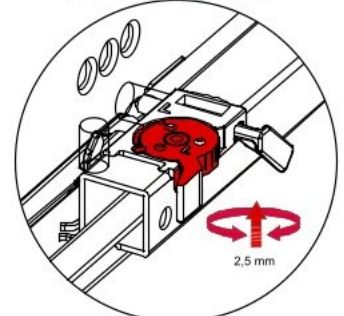
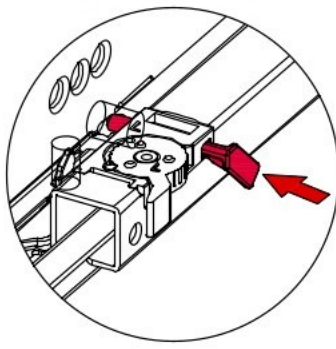
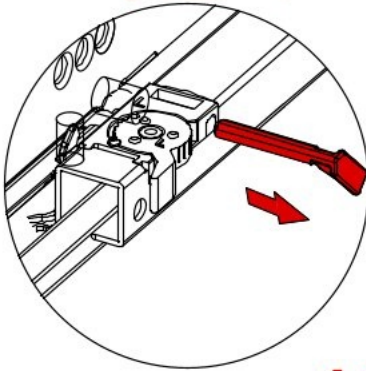


STEP 2-3

STEP 4

STEP 5

STEP 6



011

