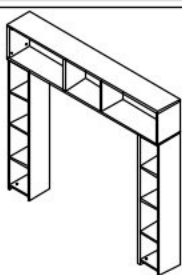


# Knihovna ARTOS



ACCESSORIE NO : 001  
MİNİFİX MİL 6 MM



35 ADET

ACCESSORIE NO : 002  
TİTUS MİNİFİX GÖVDE



37 ADET

ACCESSORIE NO : 271  
TEK TARAF LI MİNİFİX MİL



2 ADET

ACCESSORIE NO : 004  
Ø8x30 KAVELA



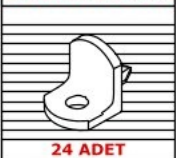
18 ADET

ACCESSORIE NO : 011  
ARKALIK SABİTLEME  
3.5x25 S.VİDASI



26 ADET

ACCESSORIE NO : 406  
PLS. RAF PİMİ EURO VİDALI



24 ADET

ACCESSORIE NO : 120  
6.3\*13 MM EURO VİDA



24 ADET

ACCESSORIE NO : 020  
MİNİFİX TAPA



16 ADET

ACCESSORIE NO : 105  
M6\*30 YSB VİDA

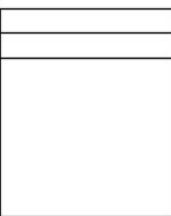
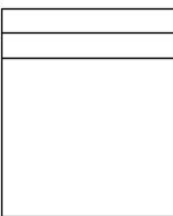
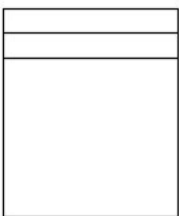
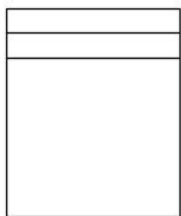
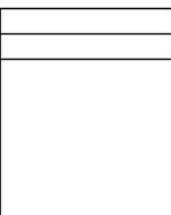
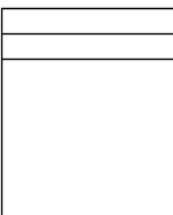
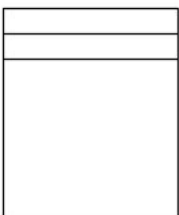
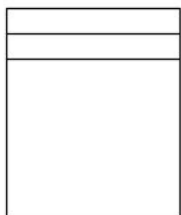
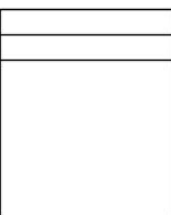
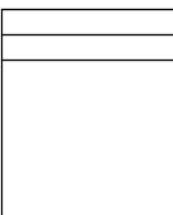
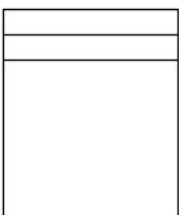
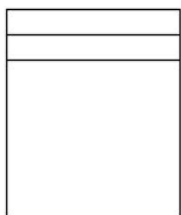


4 ADET

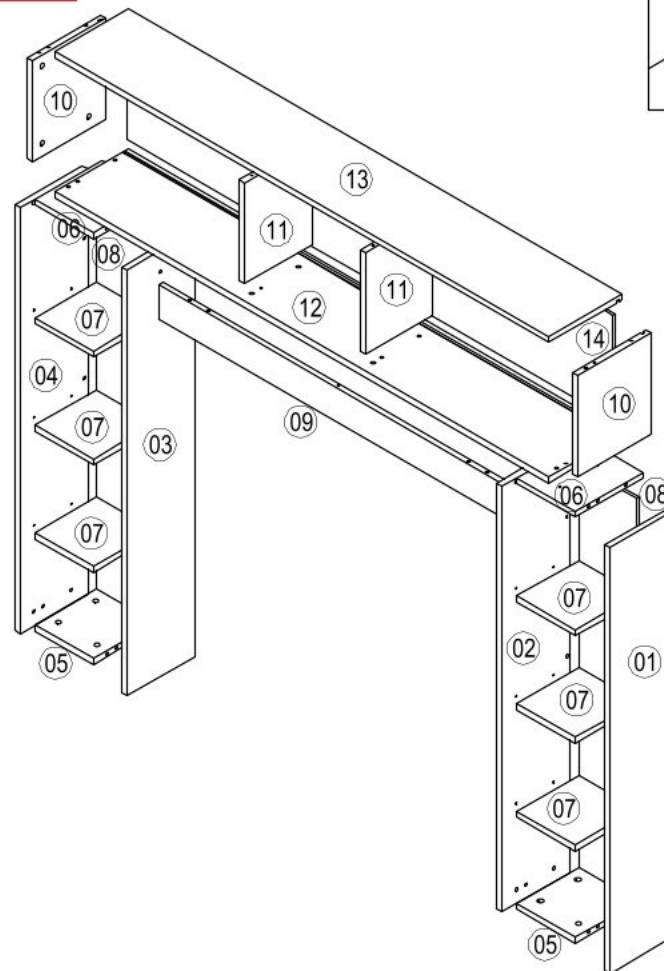
ACCESSORIE NO : 543  
DEPREM GÜVENLİK APARATI



2 TAKIM



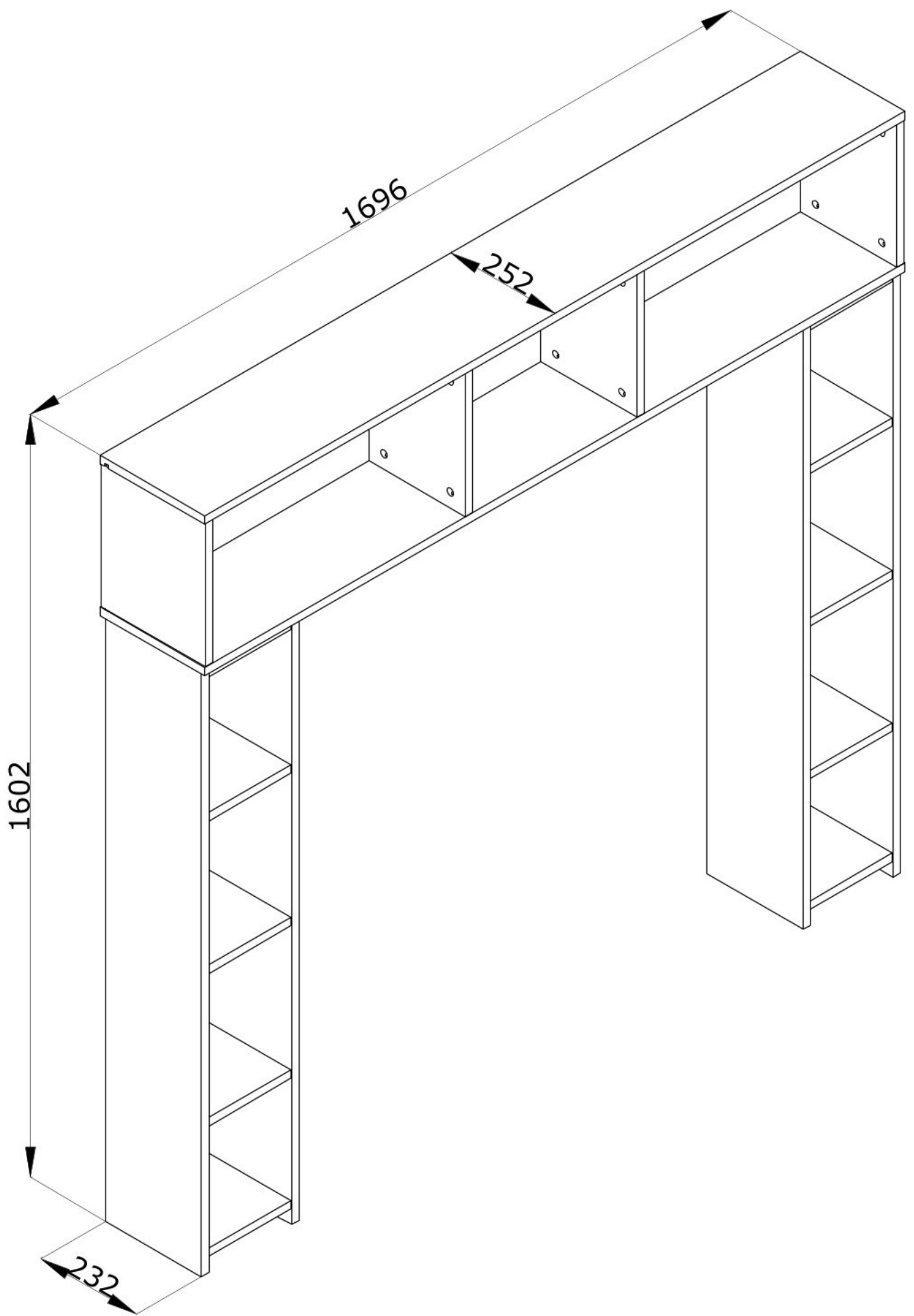
nábytek  
harmonia

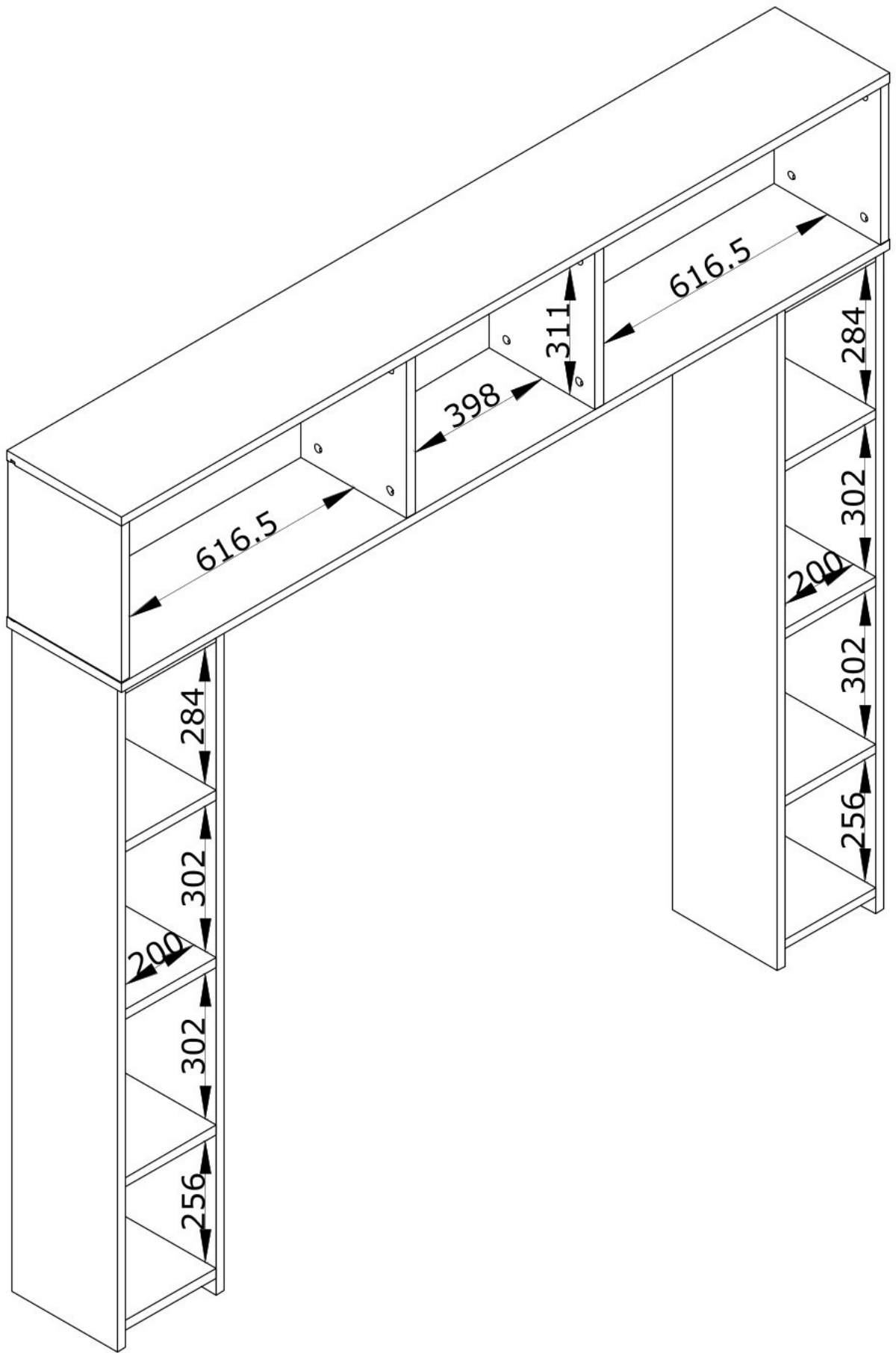


| NO | ADET/PCS | ÖLÇÜ/DIMENSIONS | NO | ADET/PCS | ÖLÇÜ/DIMENSIONS | NO | ADET/PCS | ÖLÇÜ/DIMENSIONS |
|----|----------|-----------------|----|----------|-----------------|----|----------|-----------------|
| 01 | 1        | 1266 X 232      | 11 | 2        | 300 X 233       |    |          |                 |
| 02 | 1        | 1266 X 232      | 12 | 1        | 1696 X 253      |    |          |                 |
| 03 | 1        | 1266 X 232      | 13 | 1        | 1696 X 253      |    |          |                 |
| 04 | 1        | 1266 X 232      | 14 | 1        | 1667 X 311      |    |          |                 |
| 05 | 2        | 231 X 200       |    |          |                 |    |          |                 |
| 06 | 2        | 231 X 200       |    |          |                 |    |          |                 |
| 07 | 6        | 212 X 200       |    |          |                 |    |          |                 |
| 08 | 2        | 1209 X 211      |    |          |                 |    |          |                 |
| 09 | 1        | 1220 X 100      |    |          |                 |    |          |                 |
| 10 | 2        | 300 X 252       |    |          |                 |    |          |                 |

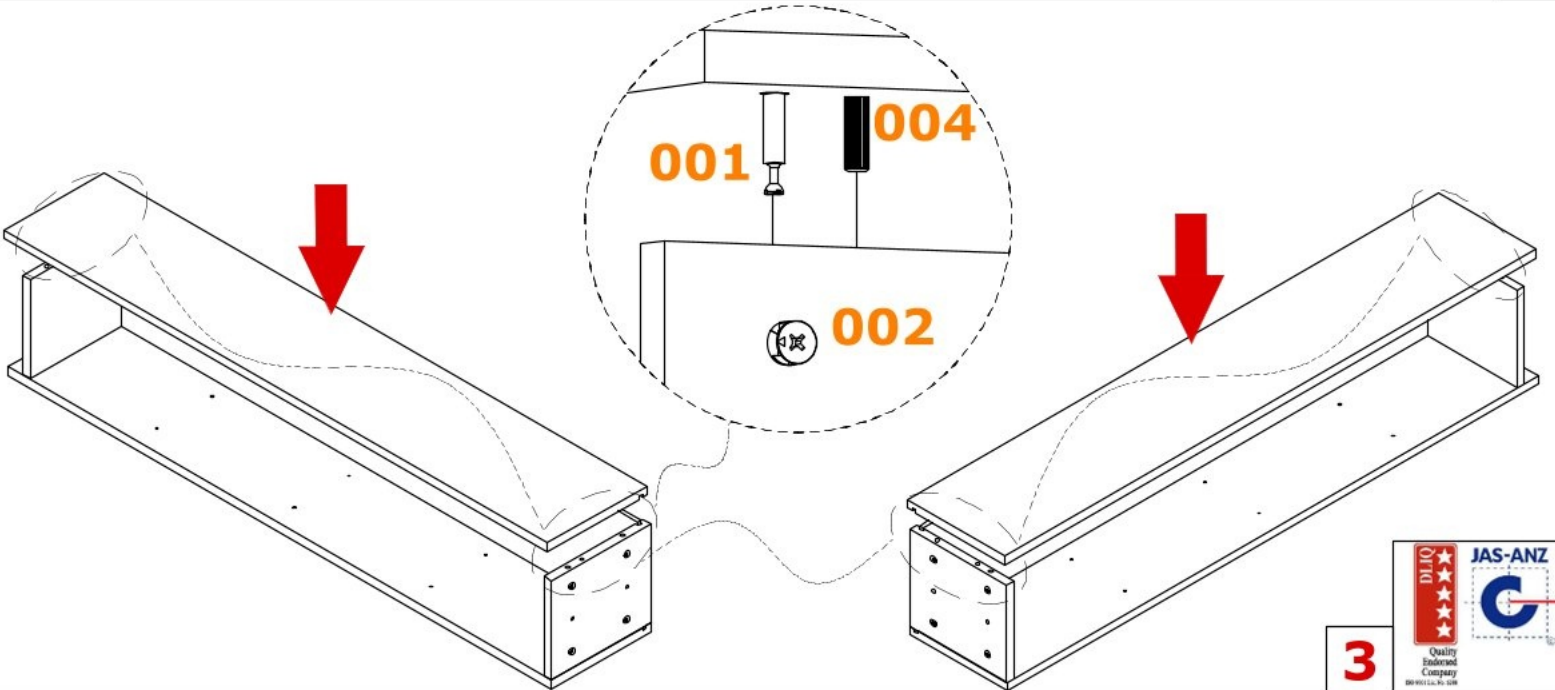
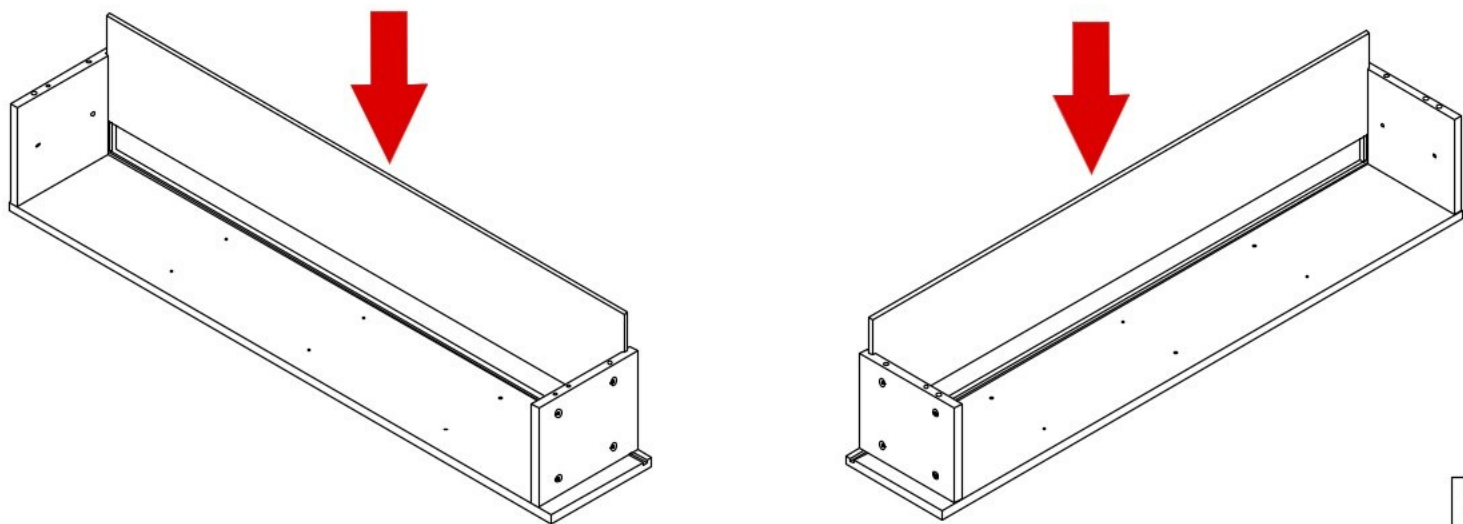
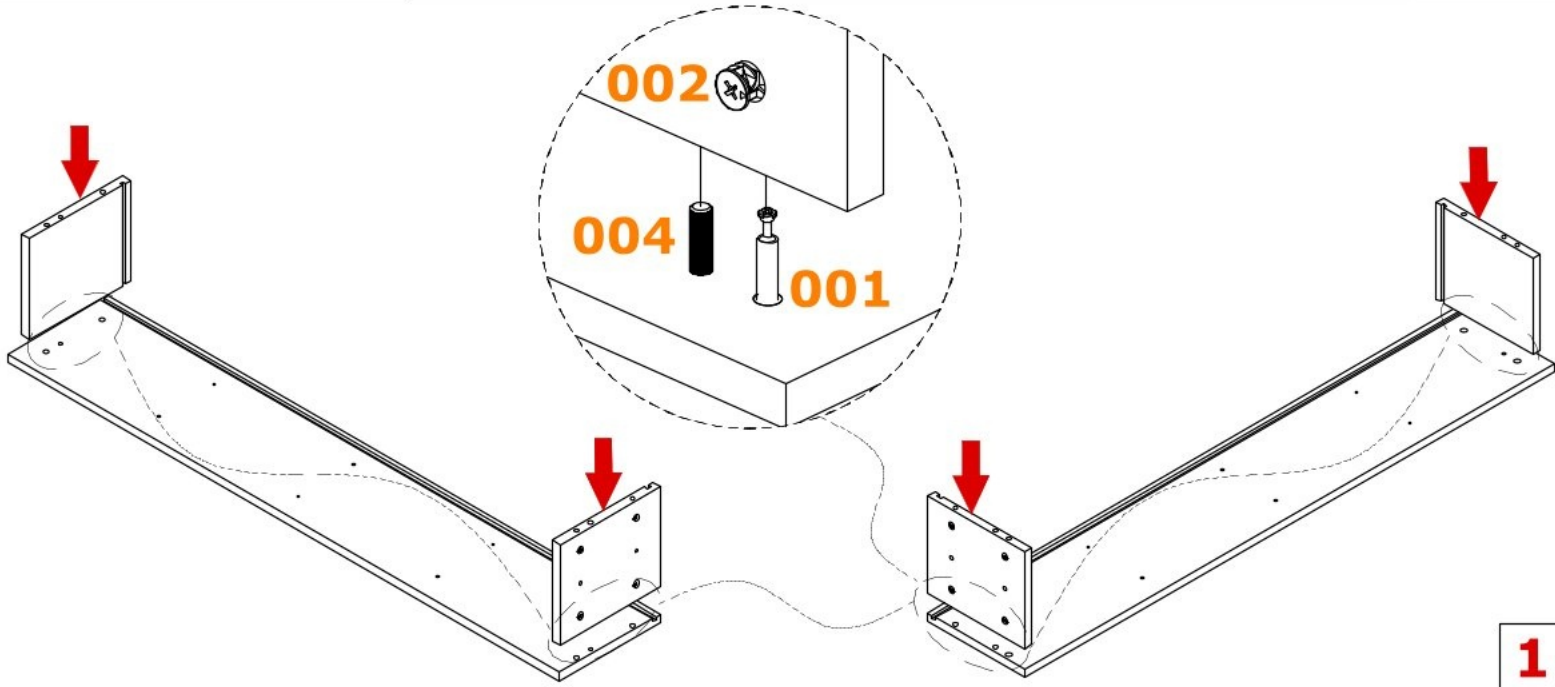
PLEASE ORDER THE ACCESSORIES ACCORDING TO THE REFERENCE NUMBER ON THE DRAWING(EXAMPLE ACCESSORIE NO-008 RAFIX MIL 1.PCS.)

PLEASE ORDER THE SPARE PARTS ACCORDING TO THE REFERENCE NUMBER ON THE DRAWING



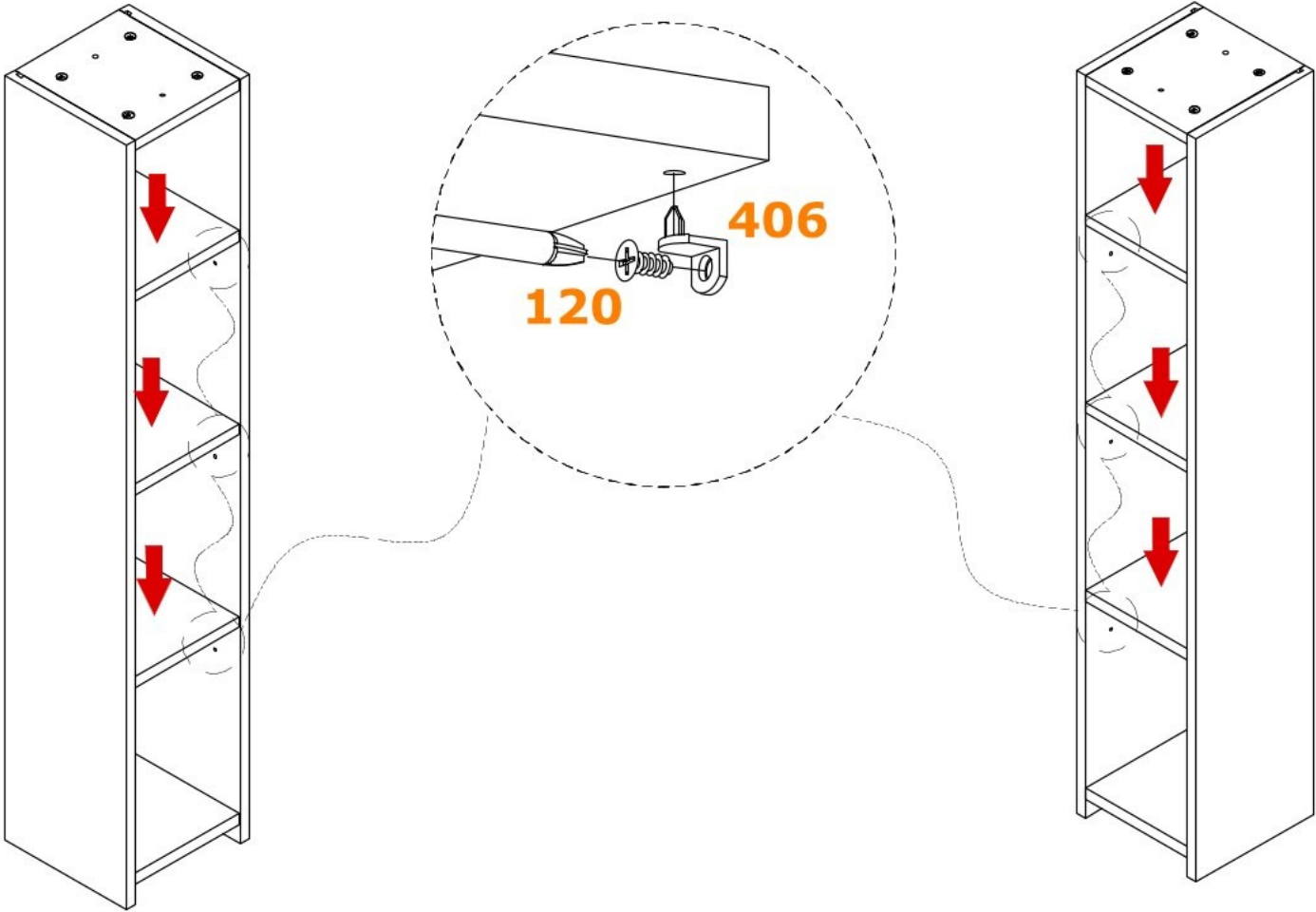


# INSTALLATION STEPS

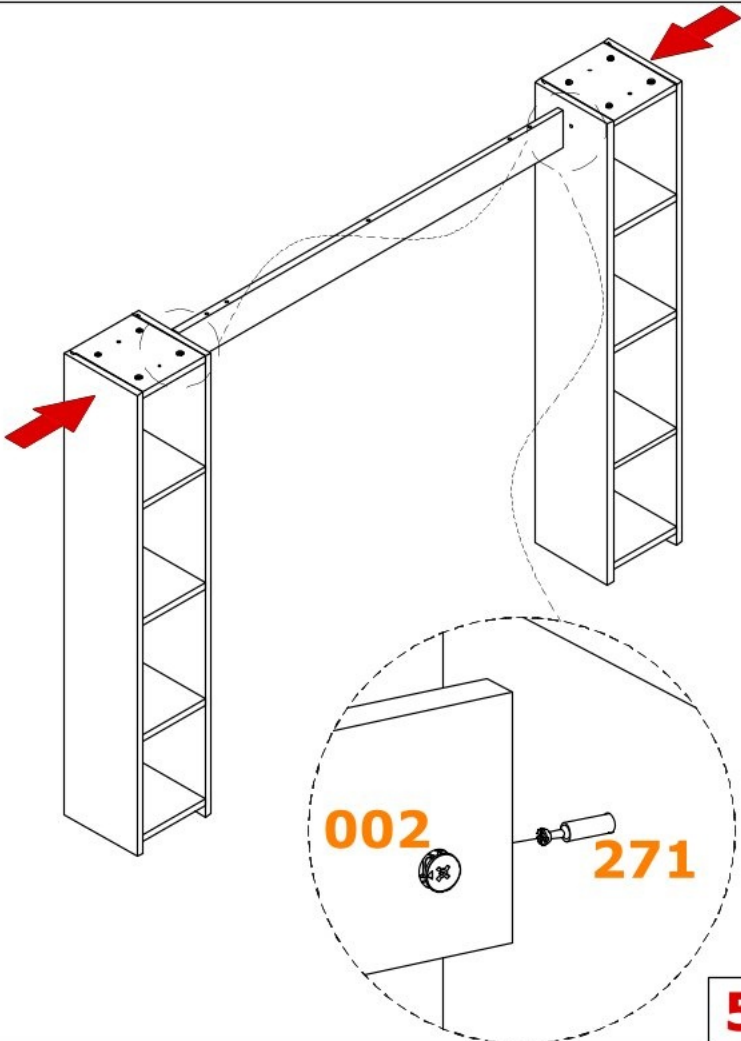




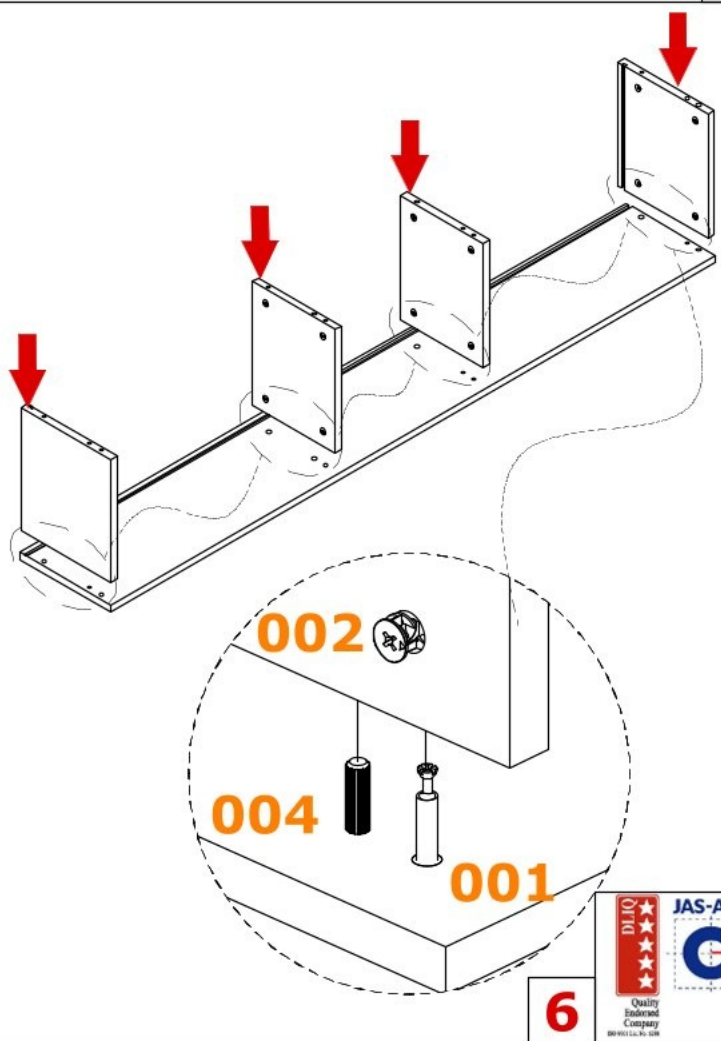
# INSTALLATION STEPS



4



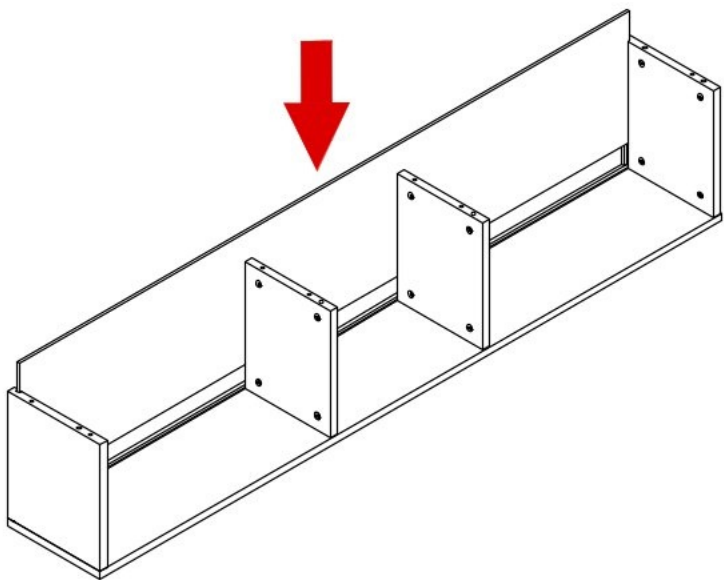
5



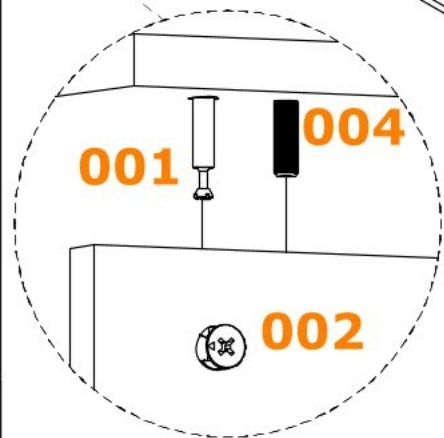
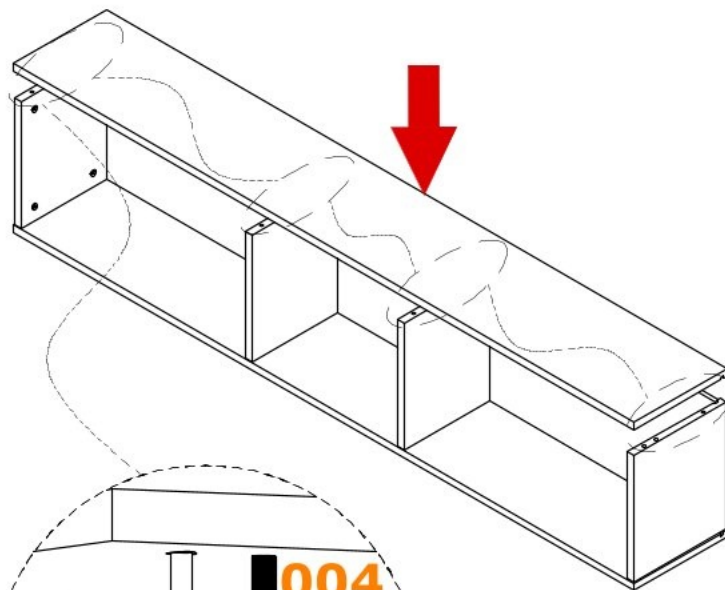
6



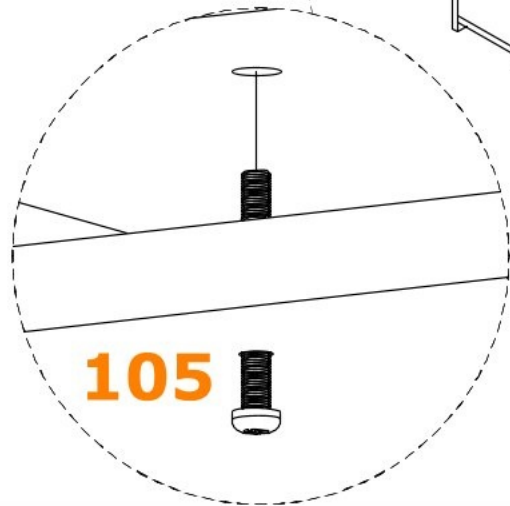
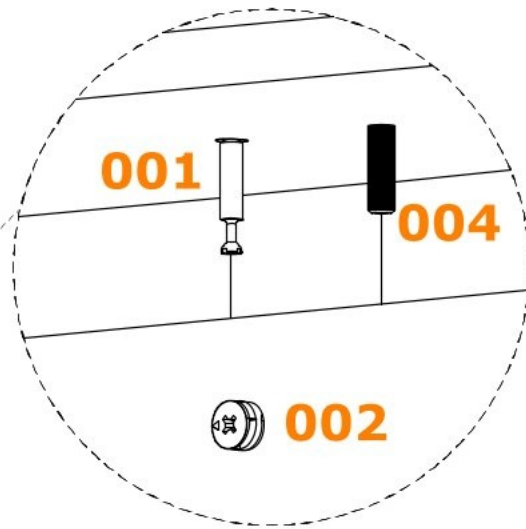
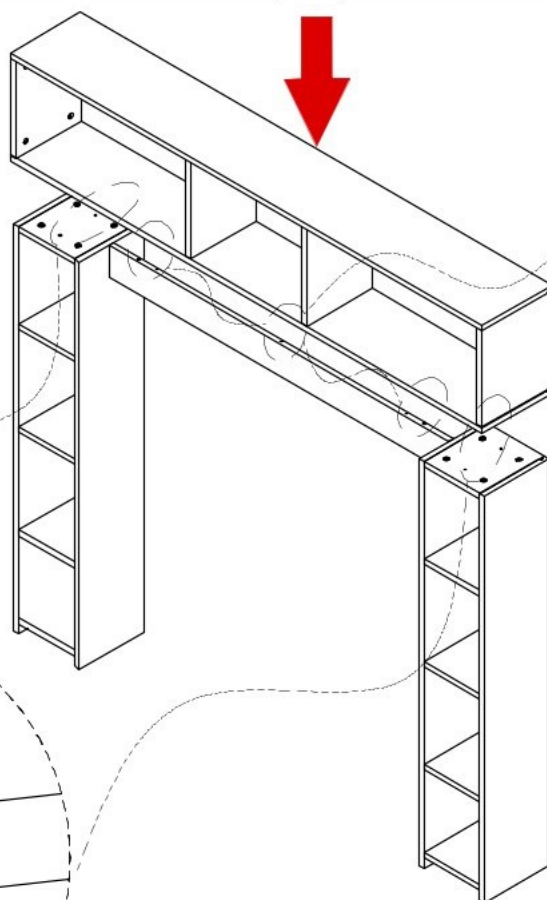
# INSTALLATION STEPS



7



8



9