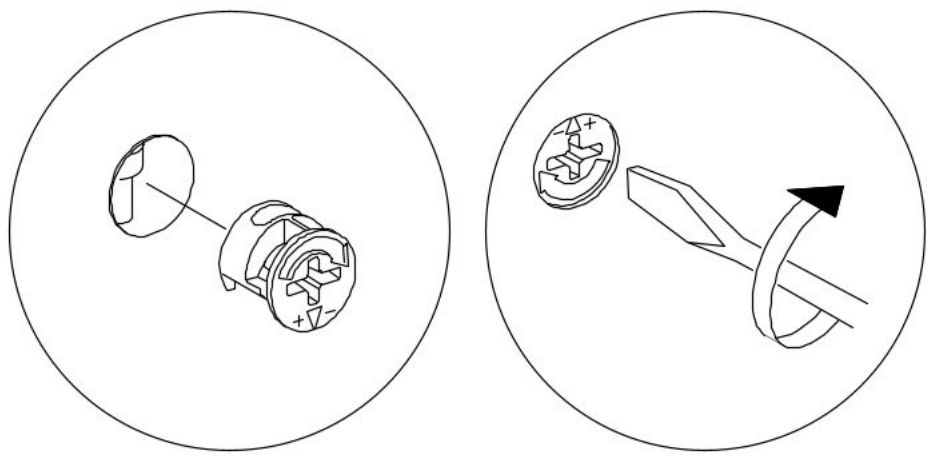



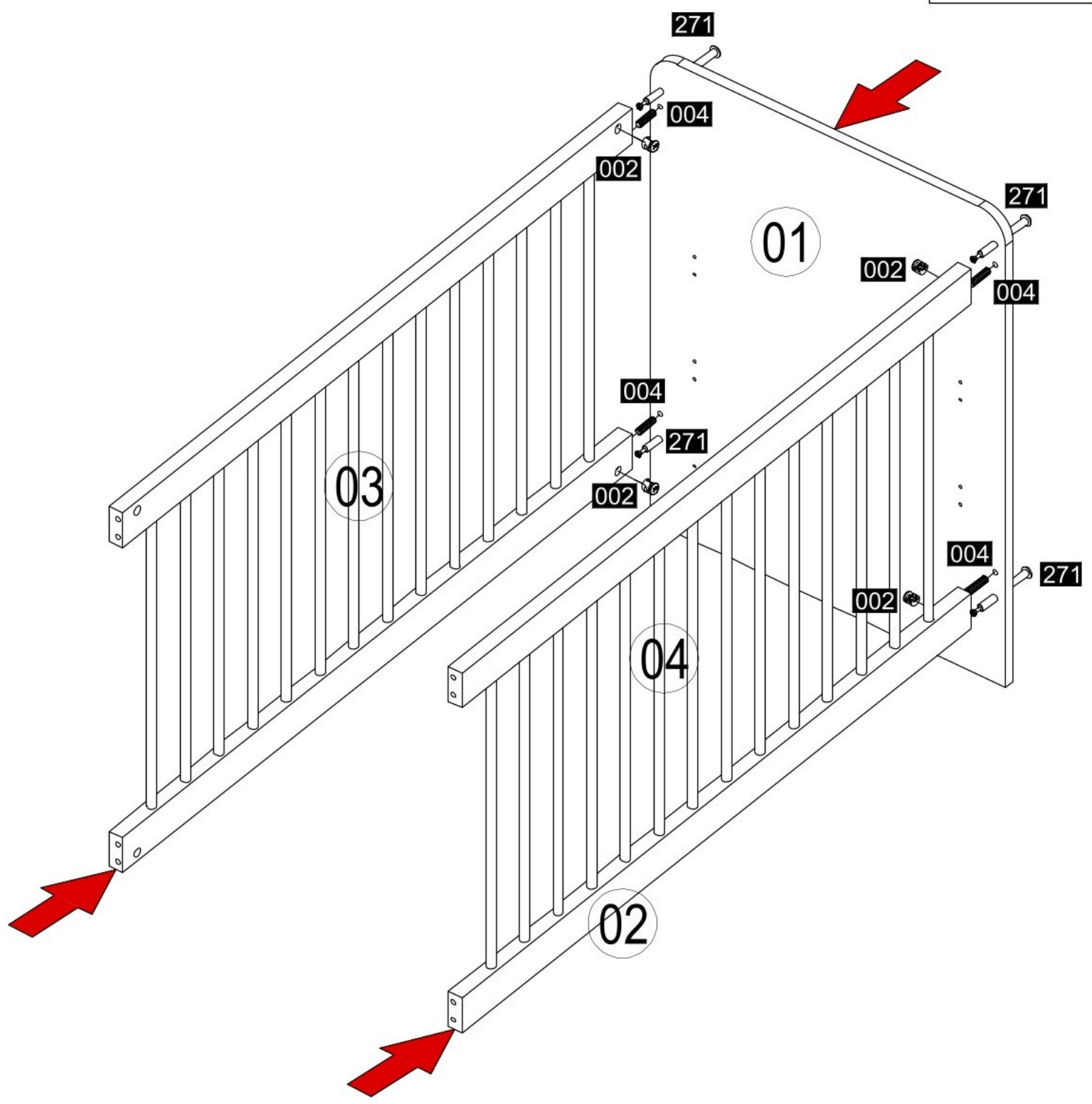


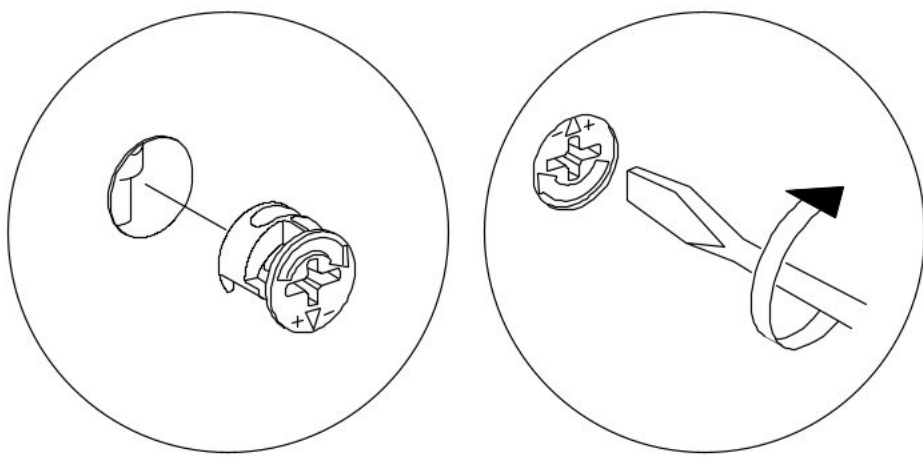
1






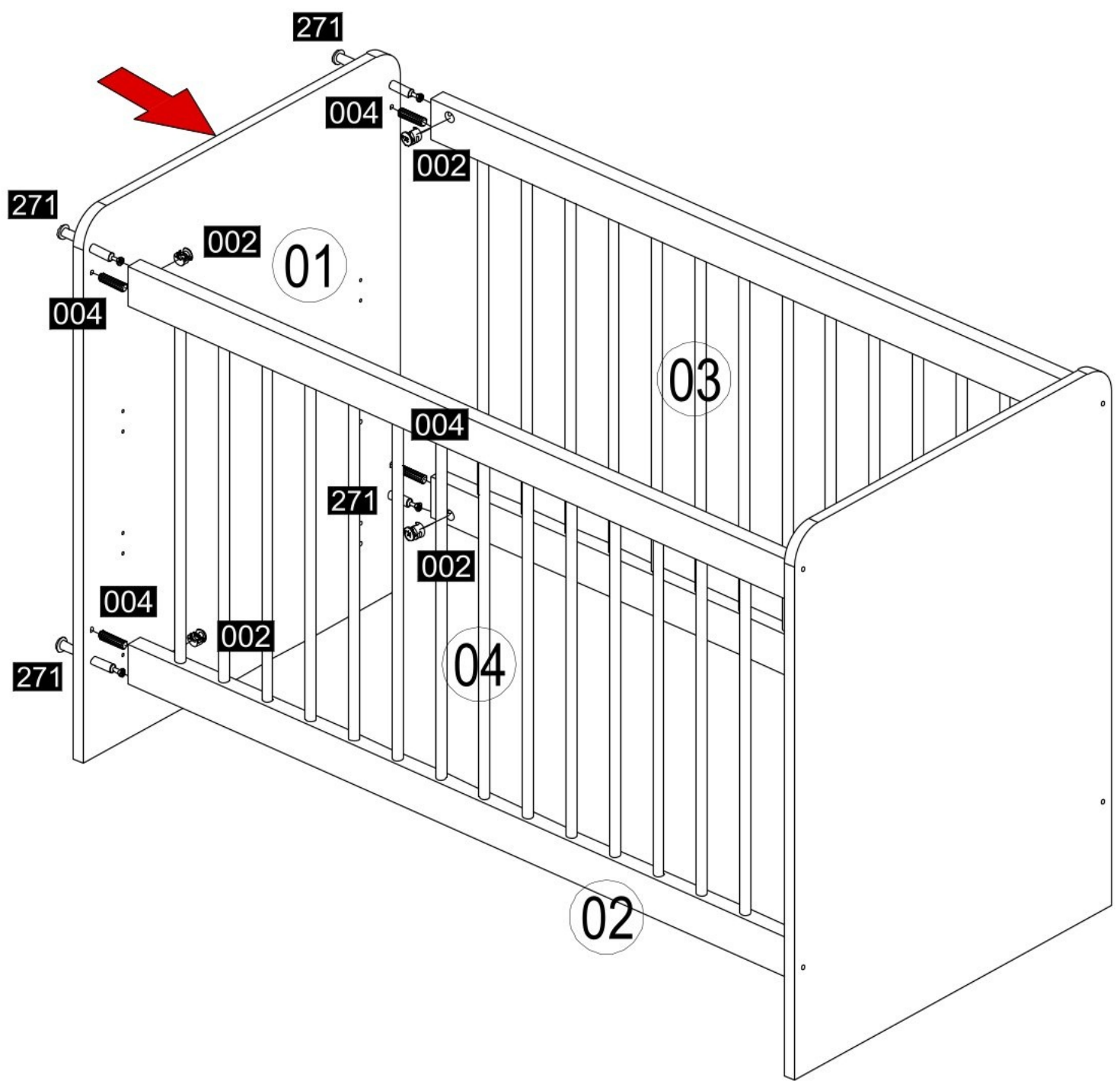
- 271**

4x
- 002**

4x
- 004**

4x




2

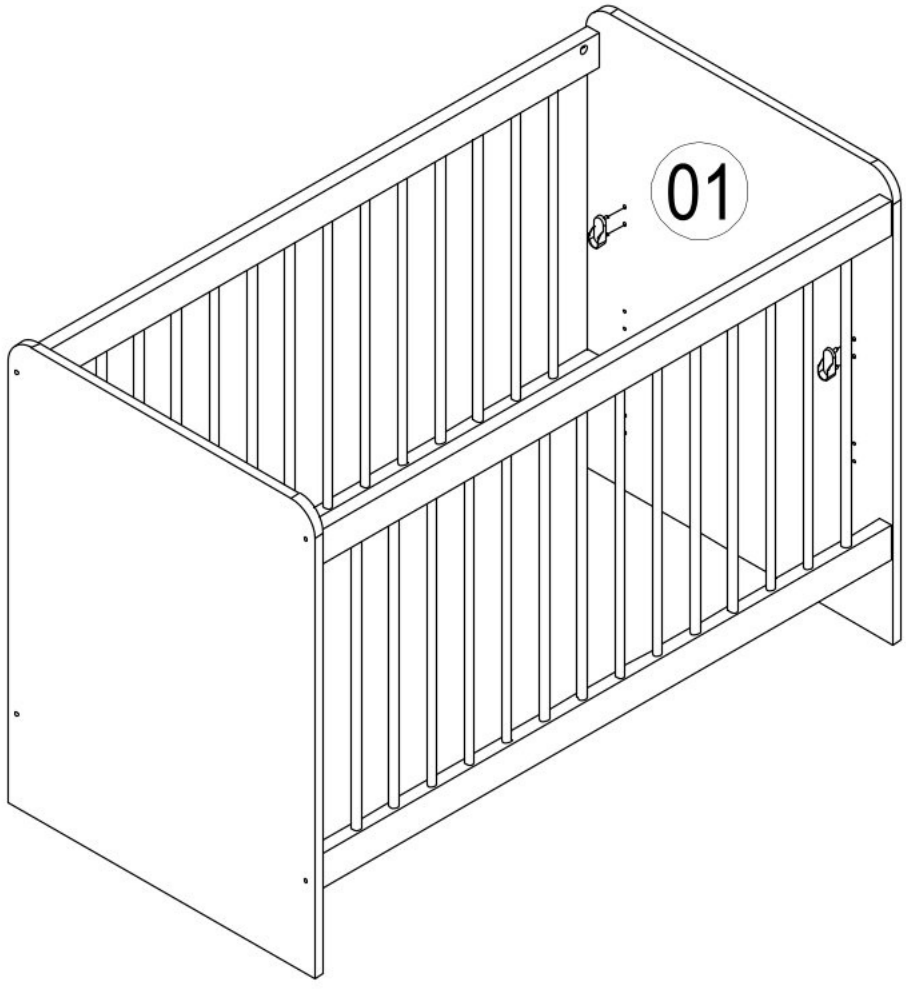


- 271**  4x
- 002**  4x
- 004**  4x




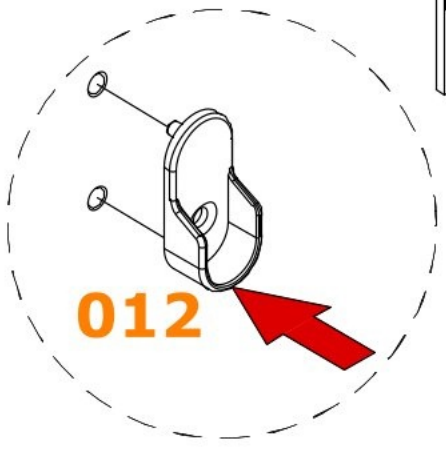
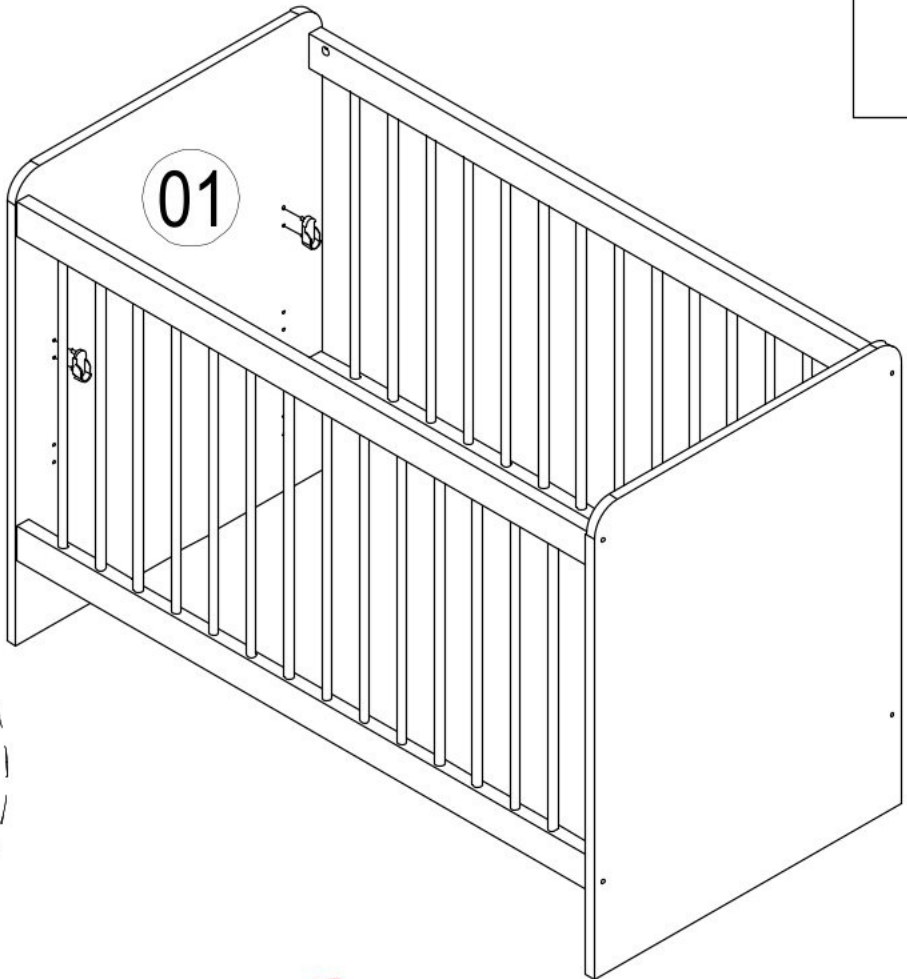
3

012

2x



4

012

2x



5

124

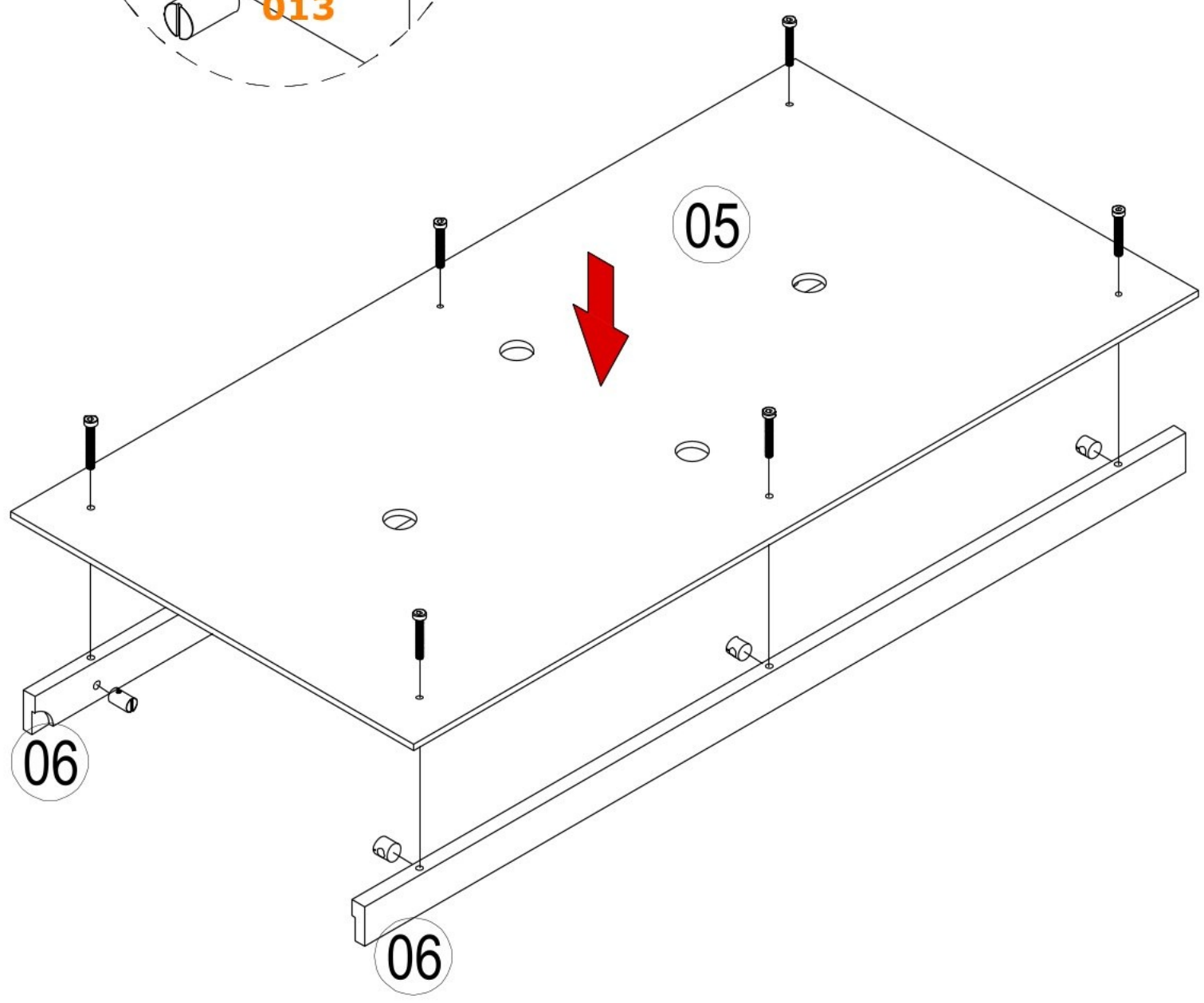
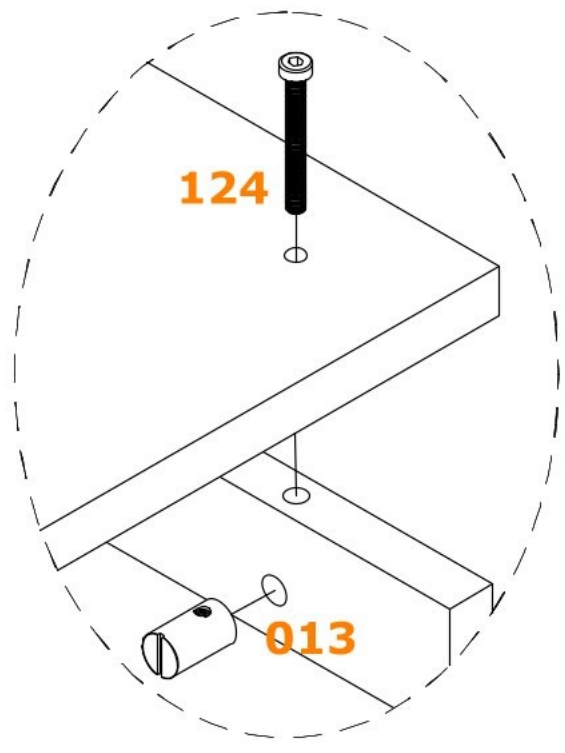


6x

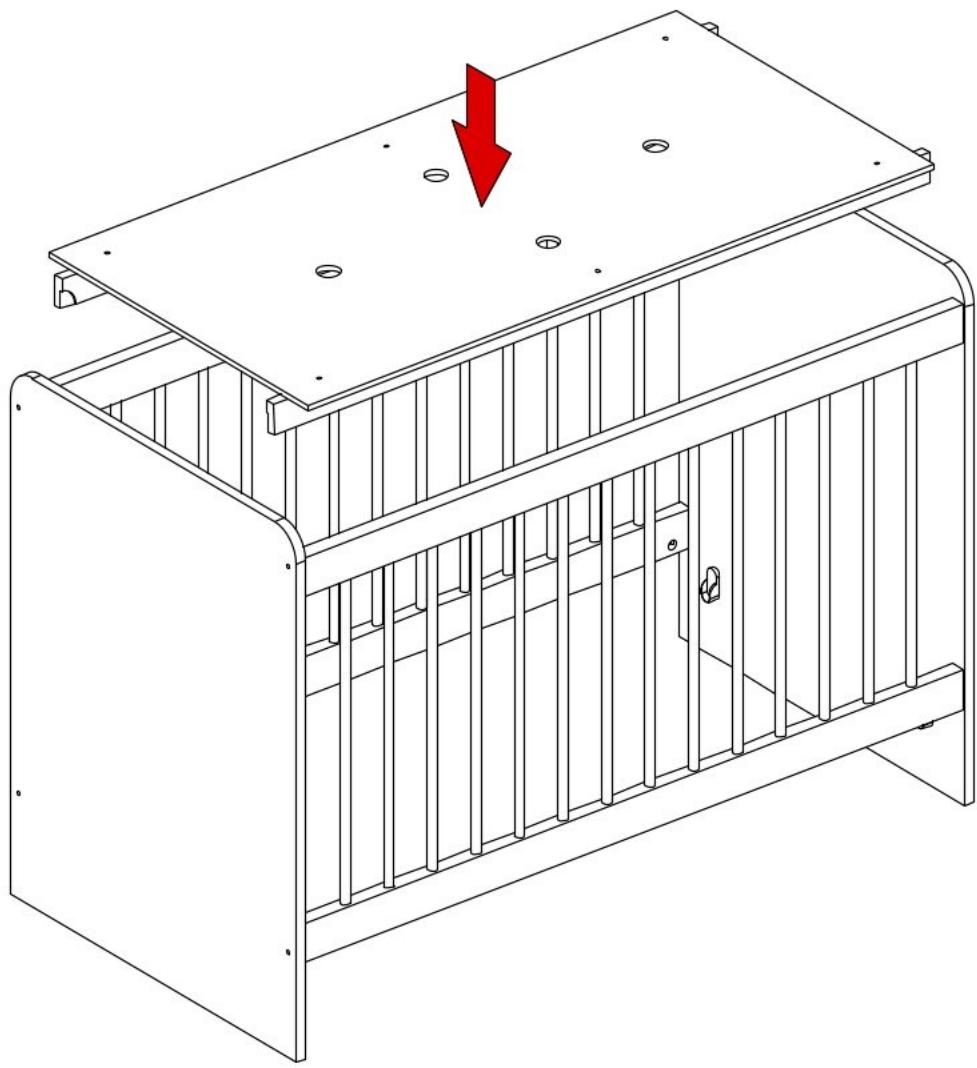
013



6x



6



7

