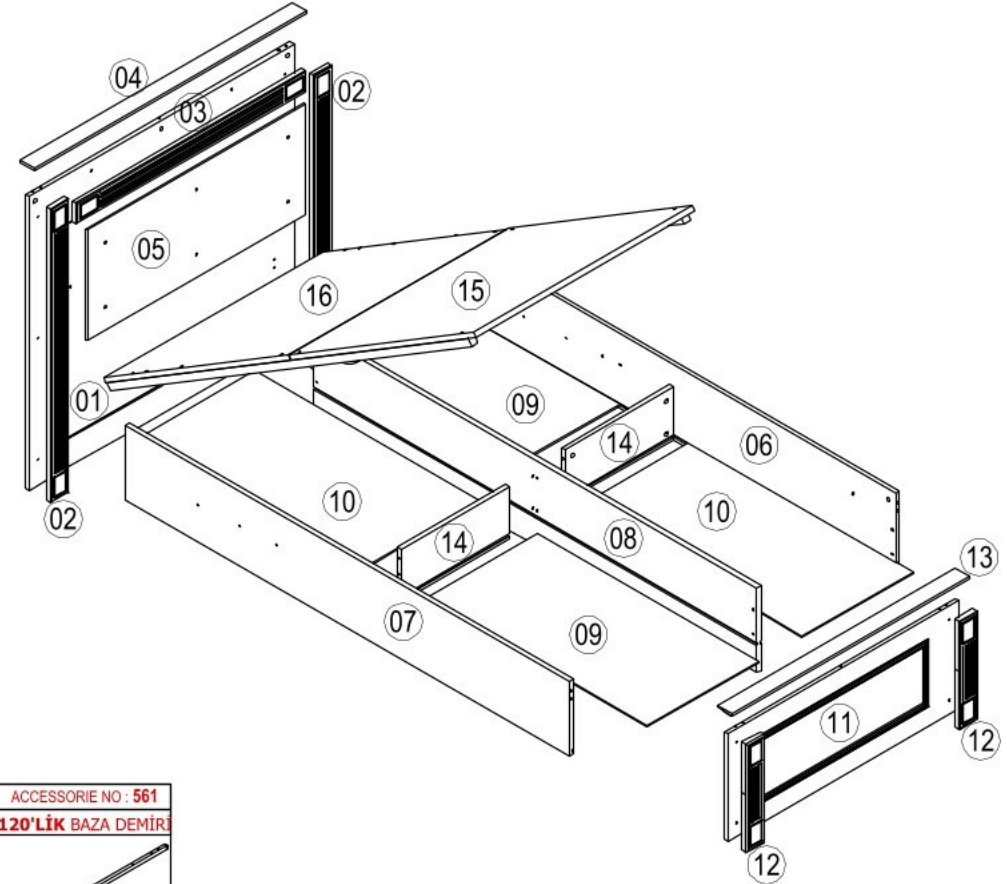


Studentská postel 120x200
s výklopným úložným prostorem
ESME

AKSESUAR LİSTESİ / ACCESSORIES LIST

<p>ACCESSORIE NO : 001 MİNİFİK MİL 6 MM</p> <p>14 ADET</p>	<p>ACCESSORIE NO : 002 TİTUS MİNİFİK GÖVDE</p> <p>18 ADET</p>	<p>ACCESSORIE NO : 271 TEK TARAFLI MİNİFİK MİL</p> <p>4 ADET</p>	<p>ACCESSORIE NO : 004 Ø8x30 KAVELA</p> <p>10 ADET</p>	<p>ACCESSORIE NO : 114 M6*15 YSB VİDA</p> <p>26 ADET</p>
<p>ACCESSORIE NO : 031 KARYOLA MENTEŞE</p> <p>6 ADET</p>	<p>ACCESSORIE NO : 121 M6*50 ALYAN VİDA</p> <p>6 ADET</p>	<p>ACCESSORIE NO : 131 4mm ALYAN ANAHTAR</p> <p>1 ADET</p>	<p>ACCESSORIE NO : 105 M6*30 YSB VİDA</p> <p>22 ADET</p>	<p>ACCESSORIE NO : 336 STOPER</p> <p>4 ADET</p>
<p>ACCESSORIE NO : 133 3x16 PUL</p> <p>6 ADET</p>	<p>ACCESSORIE NO : 350 BAZA EMNİYET KİLİDİ</p> <p>1 TAKIM</p>	<p>ACCESSORIE NO : 020 MİNİFİK TAPA GRİ</p> <p>7 ADET</p>	<p>ACCESSORIE NO : 361 12*13 ANAHTAR</p> <p>1 ADET</p>	<p>ACCESSORIE NO : 472 M8*30 YSB VİDA</p> <p>6 ADET</p>
<p>ACCESSORIE NO : 474 M8 FLANŞLI SOMUN</p> <p>6 ADET</p>	<p>ACCESSORIE NO : 124 M6*40 ALYAN VİDA</p> <p>10 ADET</p>	<p>ACCESSORIE NO : 110 3.5*25 MM S. VİDASI</p> <p>6 ADET</p>	<p>ACCESSORIE NO : 462 BAZA ŞEFFAF KULP</p> <p>2 ADET</p>	<p>ACCESSORIE NO : 348 BAZA PİSTONU 1200 N</p> <p>2 ADET</p>
<p>ACCESSORIE NO : 334 MODÜLER BAZA MEKANİZMASI</p> <p>1 TAKIM</p>	<p>ACCESSORIE NO : 476 M8*25 CIVATA</p> <p>2 ADET</p>	<p>ACCESSORIE NO : 477 M8*15 CIVATA</p> <p>2 ADET</p>		



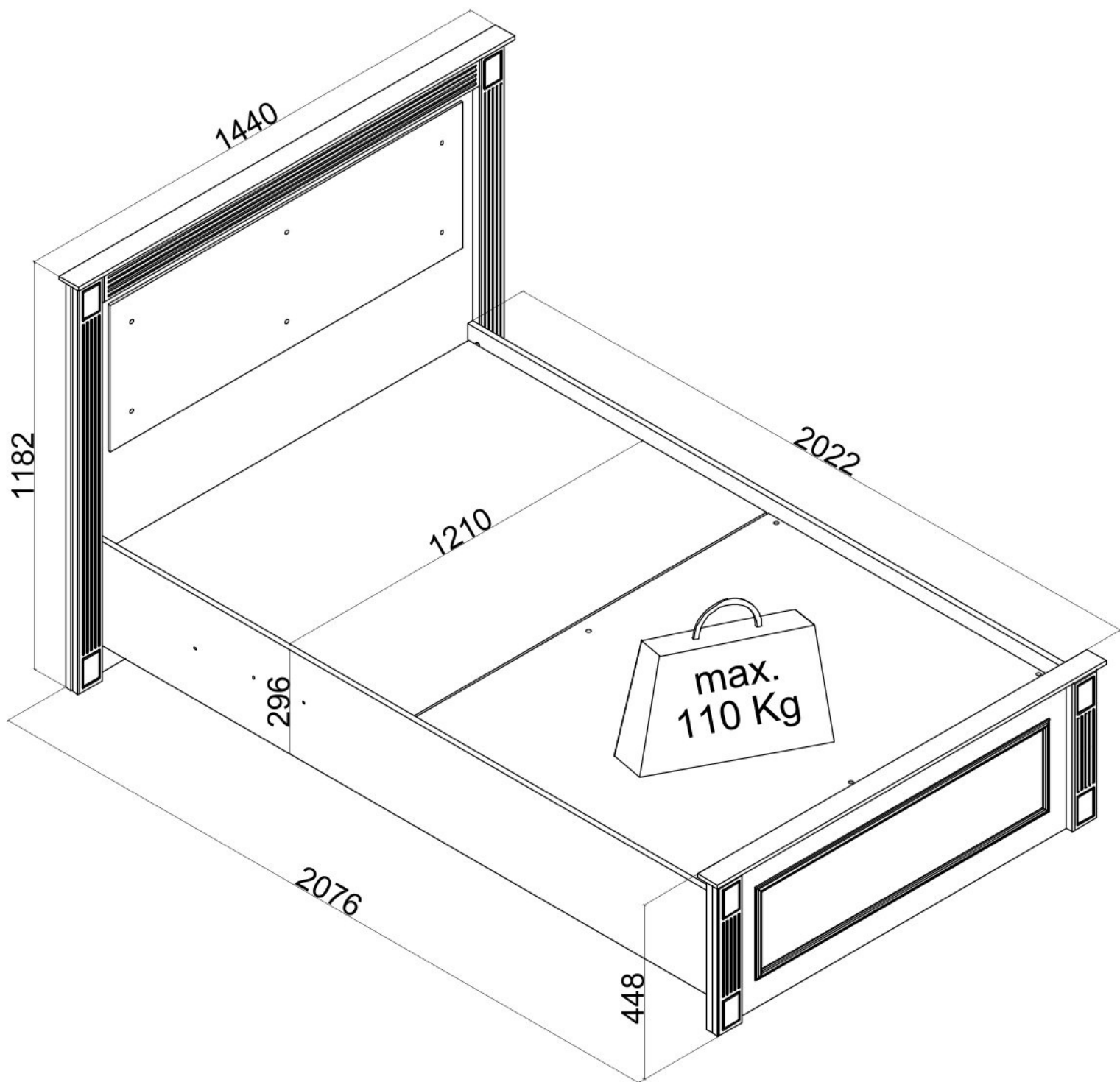
<p>ACCESSORIE NO : 561 120'LİK BAZA DEMİRİ</p> <p>3 ADET</p>
--

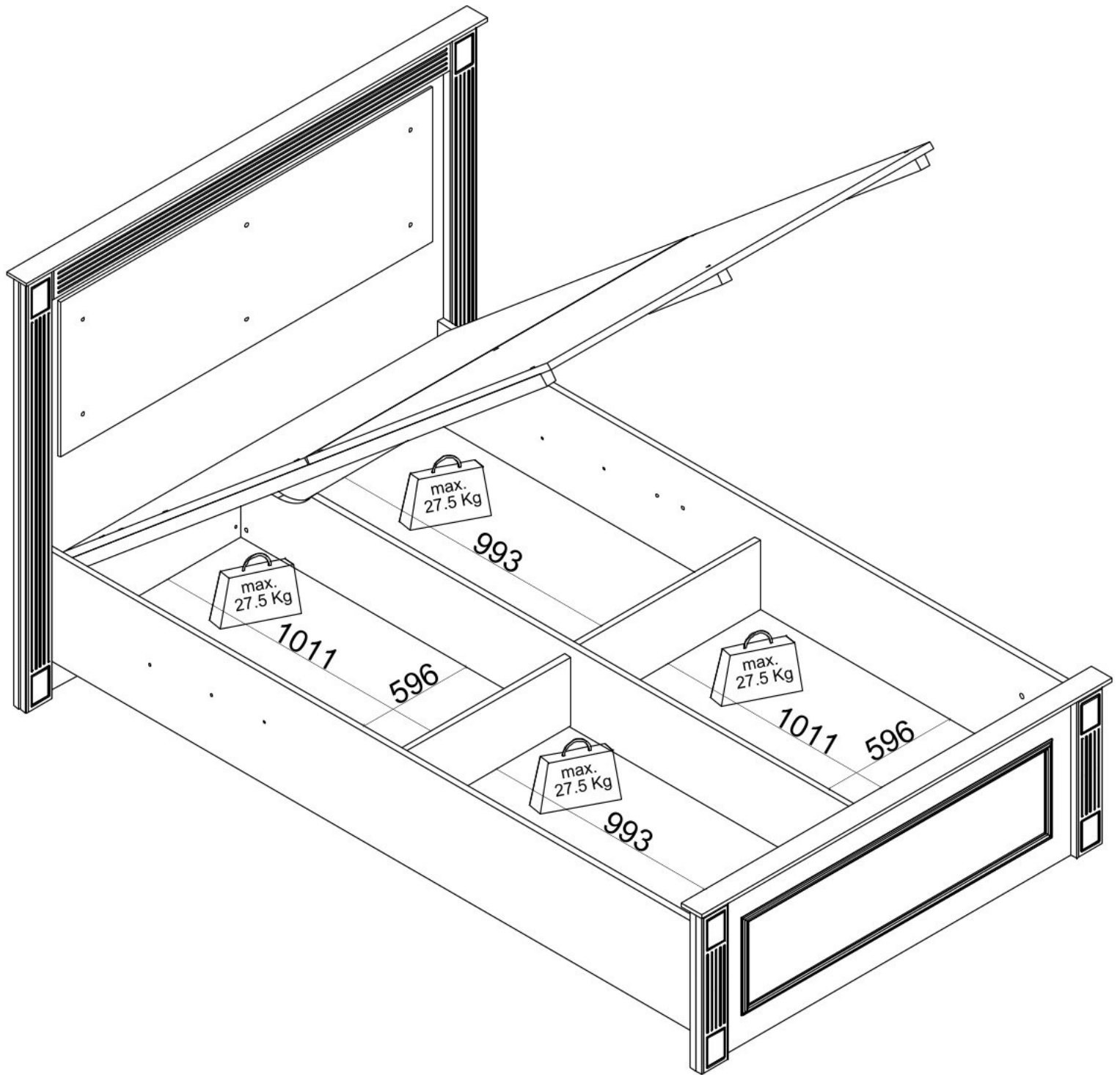
FR-002

NO	ADET/PCS	ÖLÇÜ/DIMENSIONS	NO	ADET/PCS	ÖLÇÜ/DIMENSIONS	NO	ADET/PCS	ÖLÇÜ/DIMENSIONS
01	1	1408 X 1160	11	1	1252 X 426			
02	2	1160 X 81	12	2	426 X 81			
03	1	1246 X 81	13	1	1284 X 64			
04	1	1440 X 64	14	2	596 X 188			
05	1	1166 X 420	15	1	1198 X 985			
06	1	2022 X 296	16	1	1198 X 985			
07	1	2022 X 296						
08	1	2022 X 336						
09	2	1004 X 607						
10	2	1022 X 607						

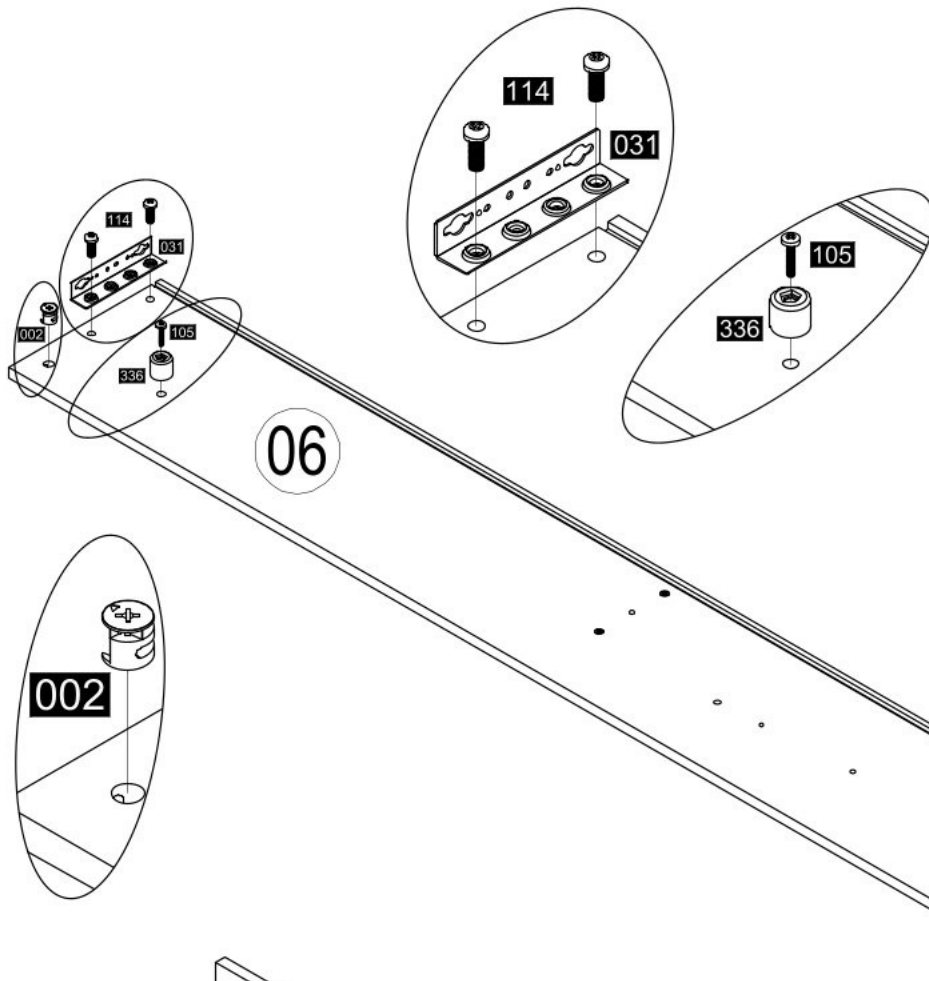
YEDEK AKSESUAR SİPARİŞLERİNİ RESME BAKARAK VERİNİZ. (Örn:ACCESSORIE.NO:008 - RAFIX MİL - 1 Ad.)
PLEASE ORDER THE ACCESSORIES ACCORDING TO THE REFERENCE NUMBER ON THE DRAWING(EXAMPLE ACCESSORIE NO-008 RAFIX MIL 1.PCS.)

YEDEK PARÇA SİPARİŞLERİNİ RESME BAKARAK PARÇA NUMARASINA GÖRE VERİNİZ
PLEASE ORDER THE SPARE PARTS ACCORDING TO THE REFERENCE NUMBER ON THE DRAWING

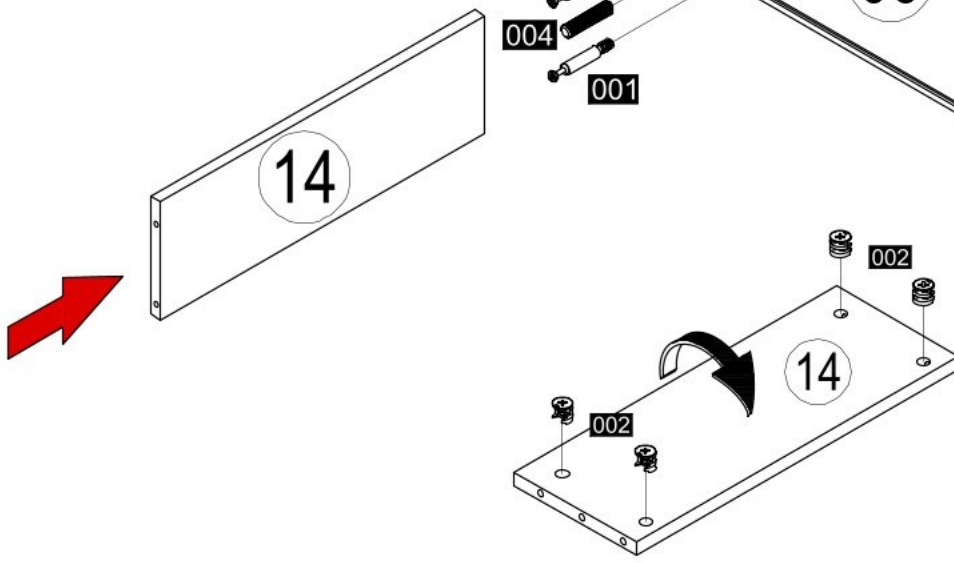
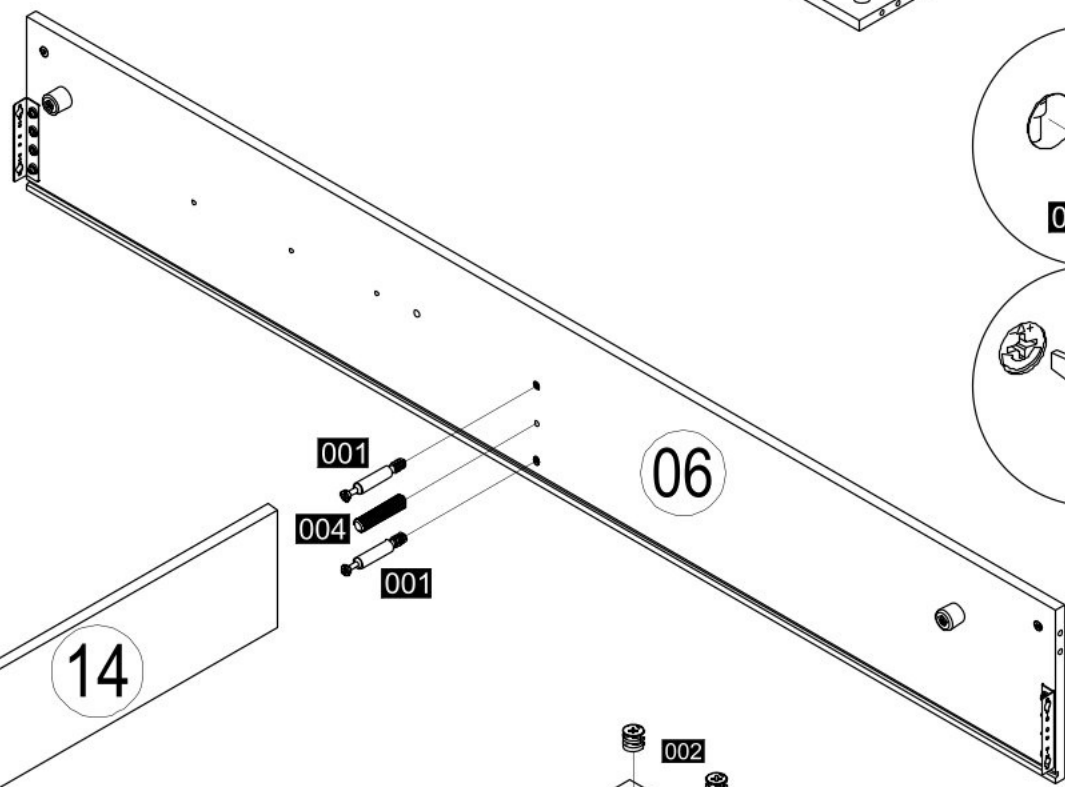




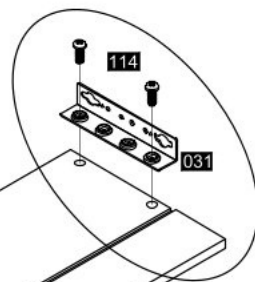
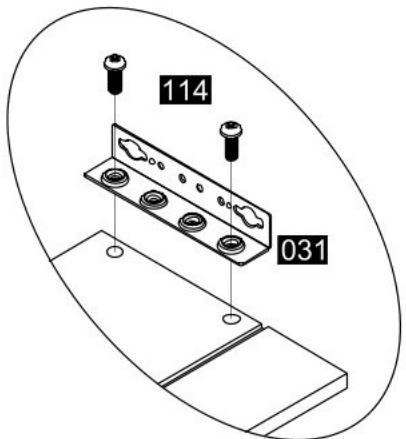
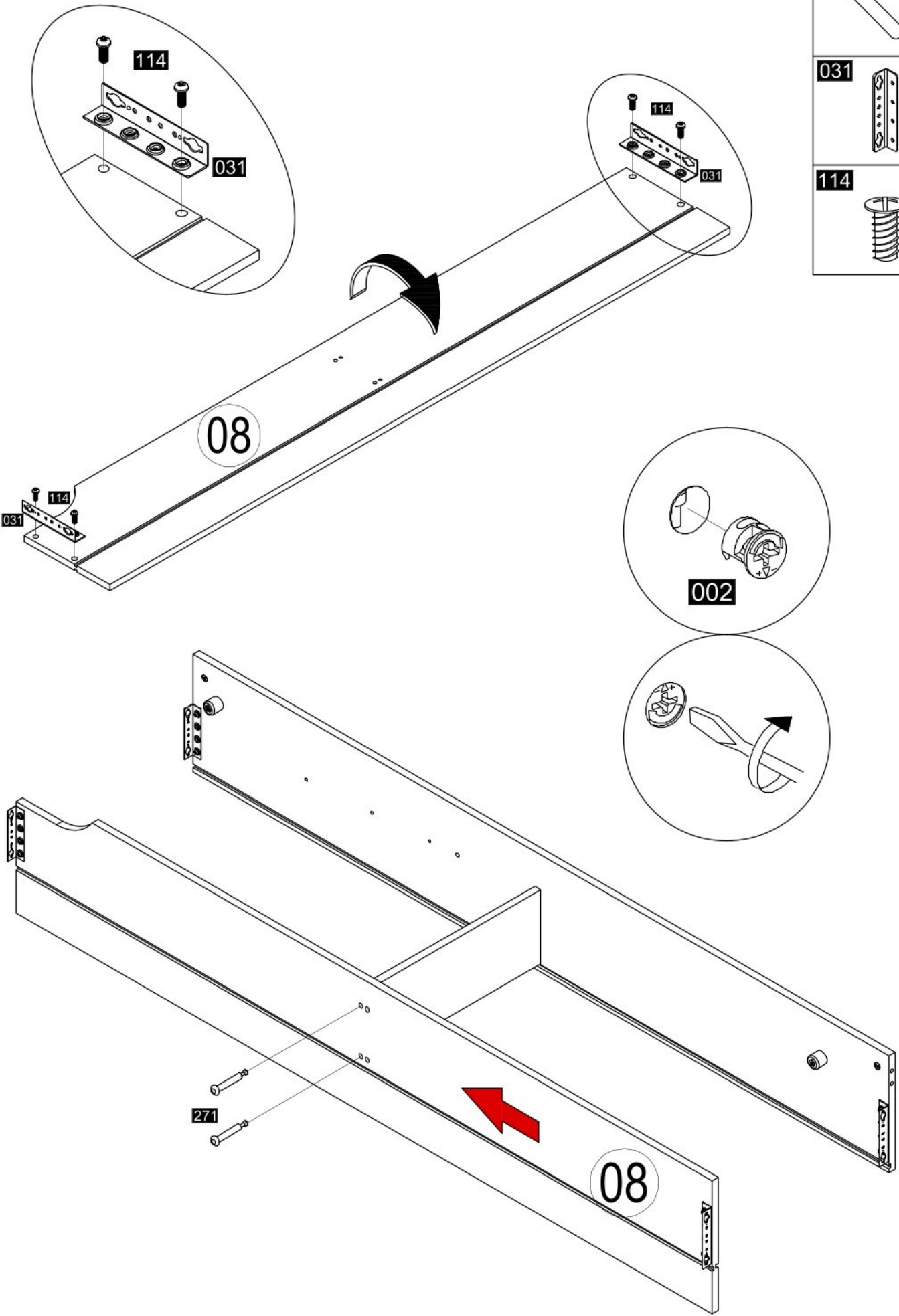
1



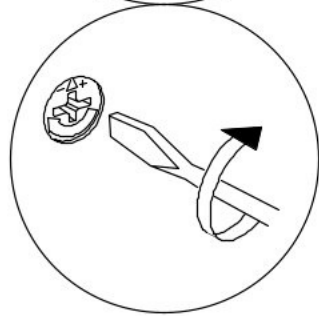
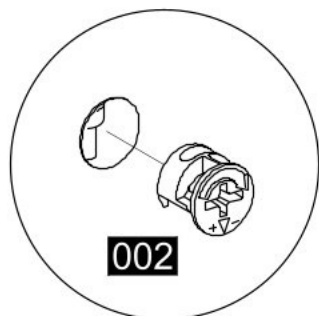
031 2x	002 6x
114 4x	001 2x
336 2x	004 1x
	105 2x





2

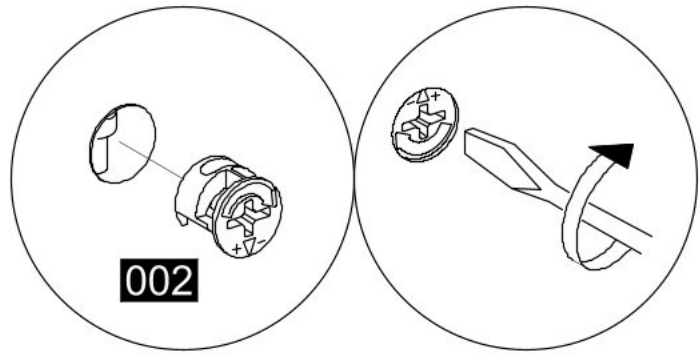
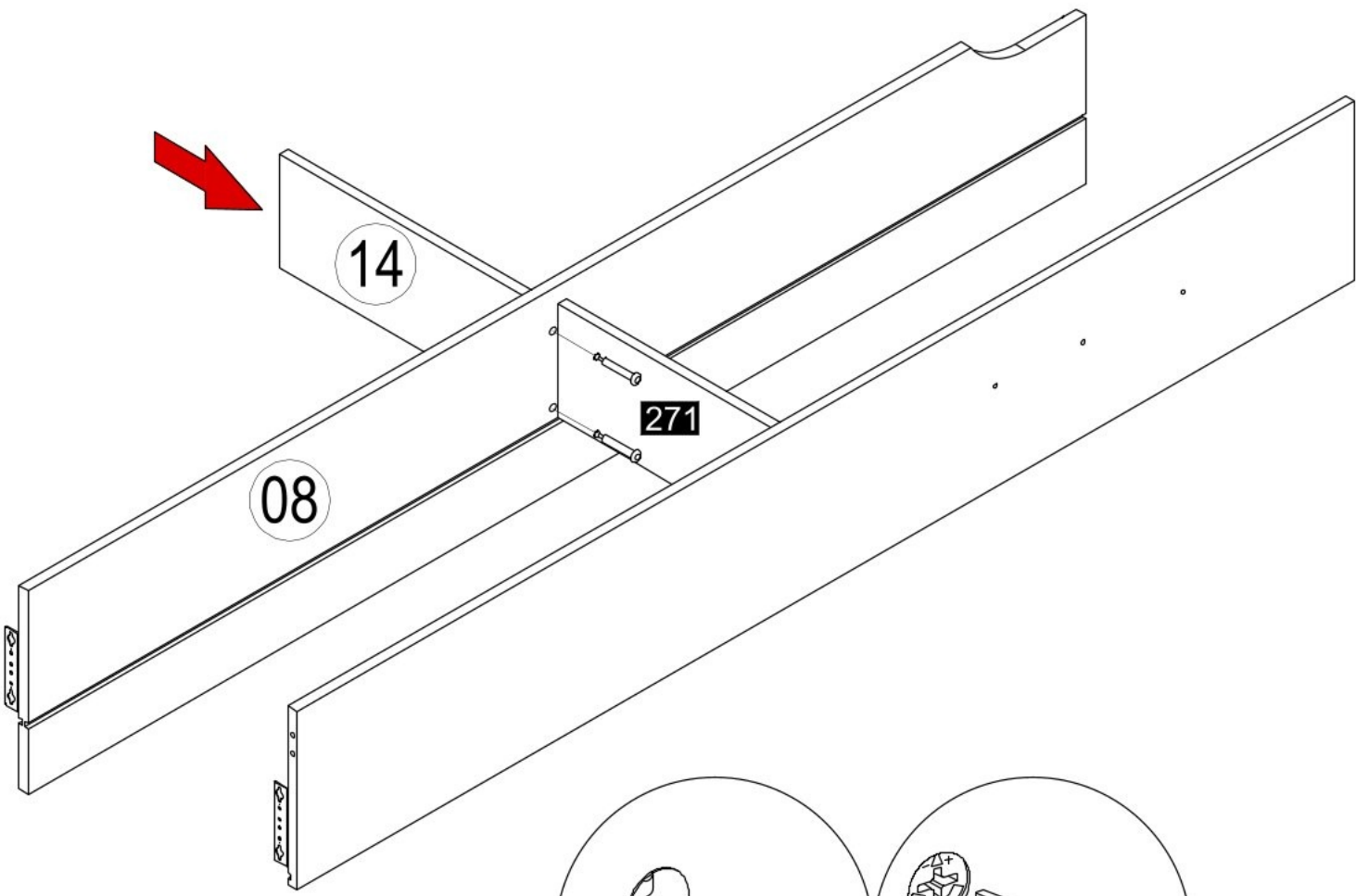
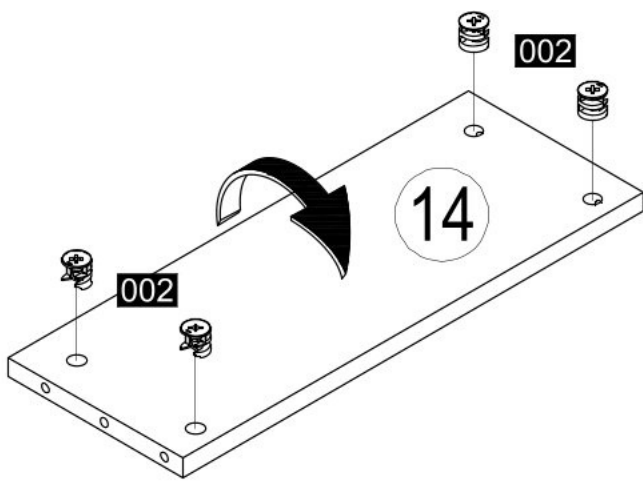


- 271 2x
- 031 2x
- 114 4x



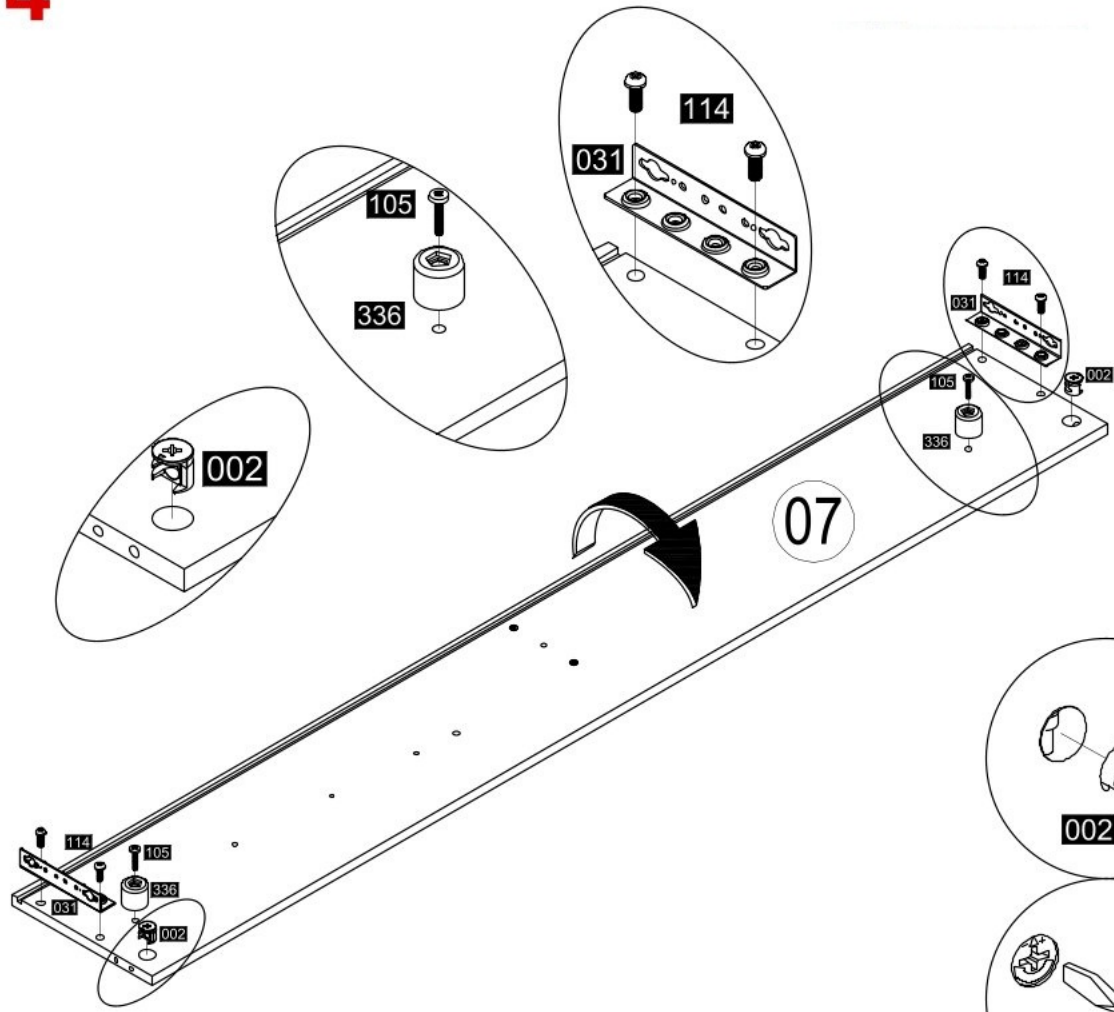
3








002		4x
271		2x

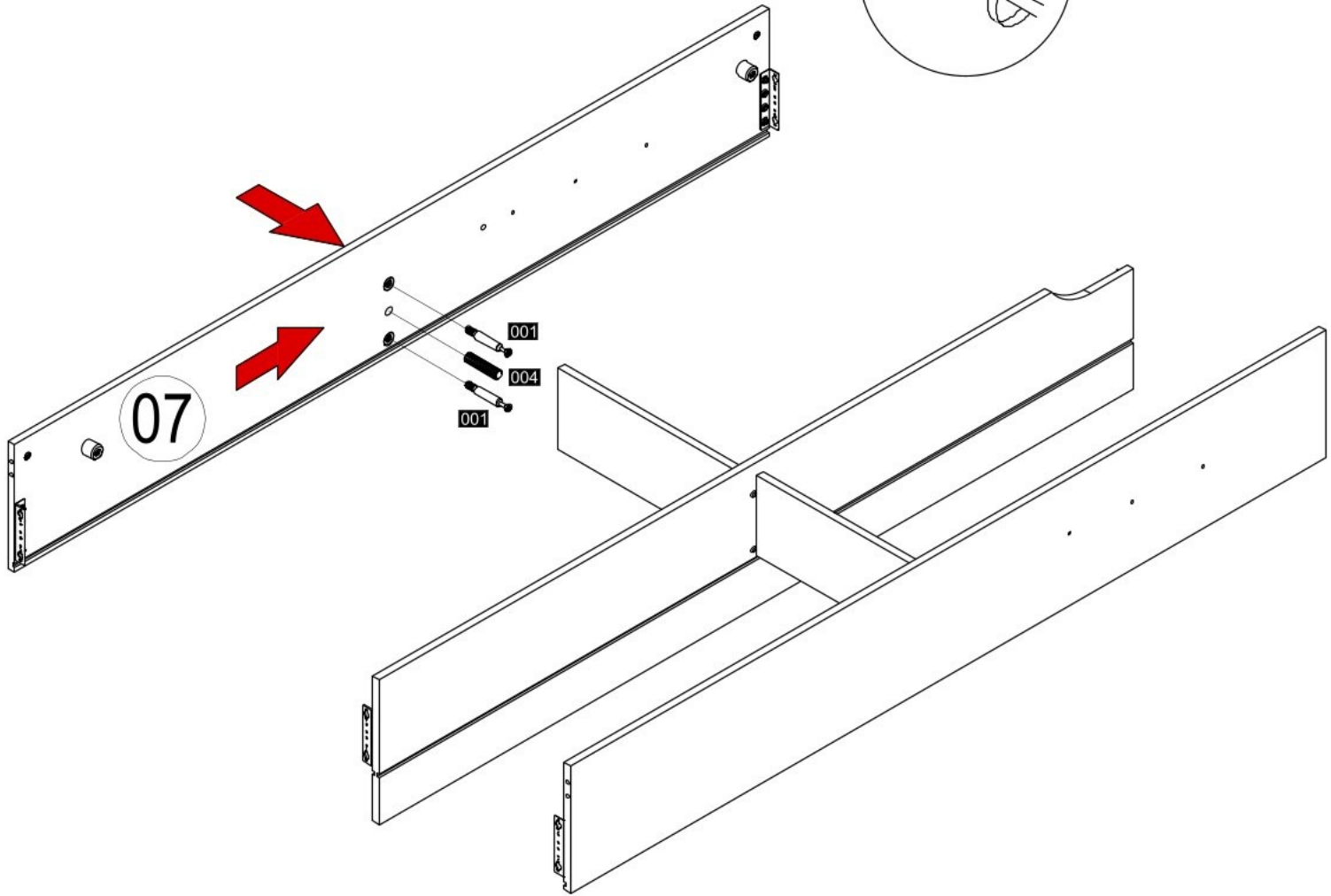
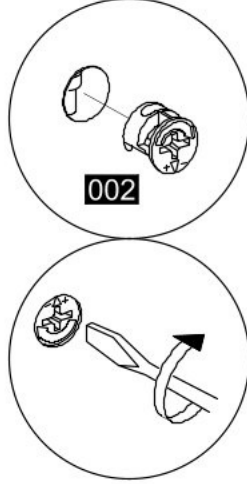


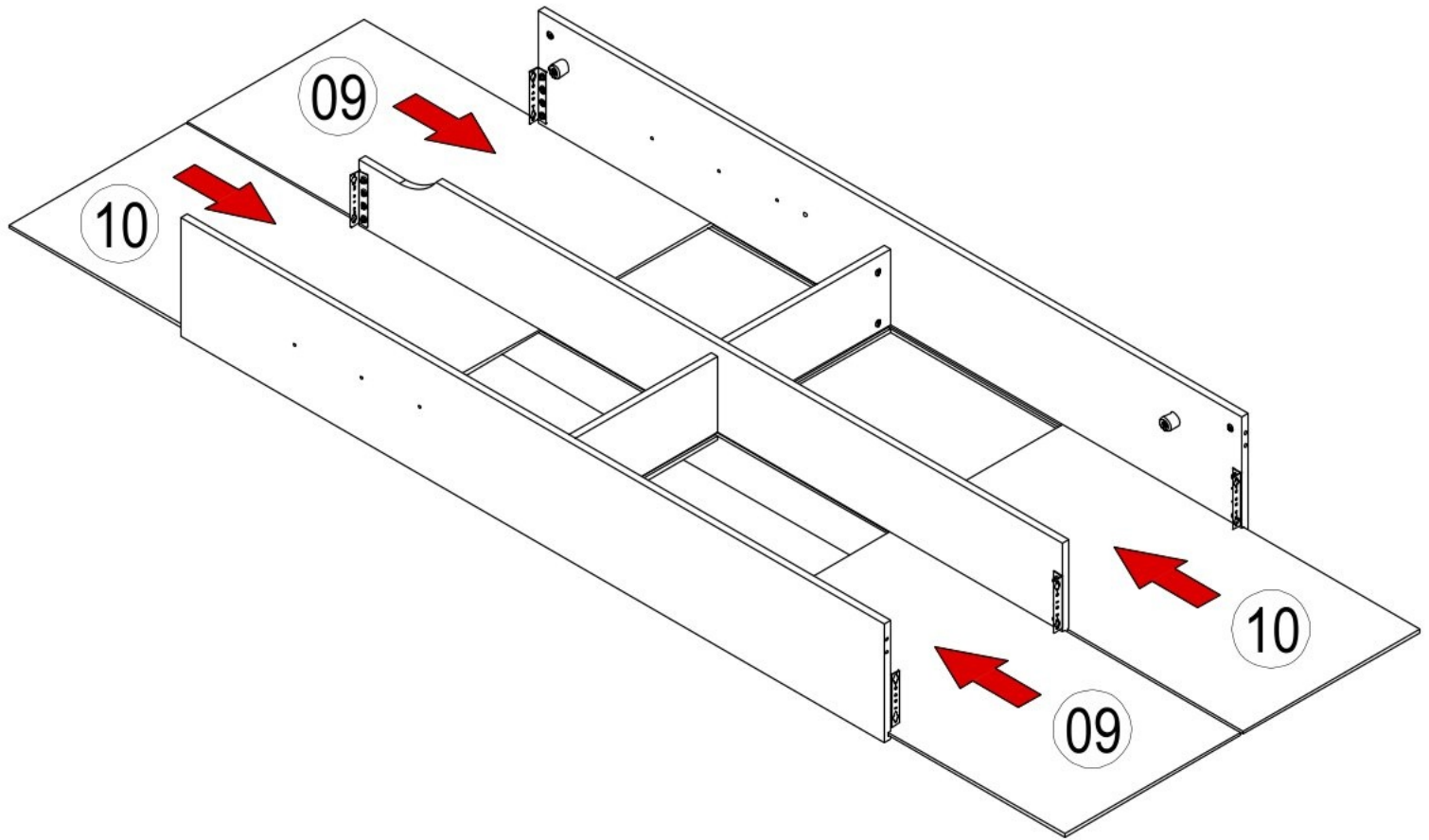
Two circular diagrams showing close-up details of the screw (002). The left diagram shows the screw head and washer. The right diagram shows the screw being inserted into a hole, with a curved arrow indicating the direction of rotation.

4

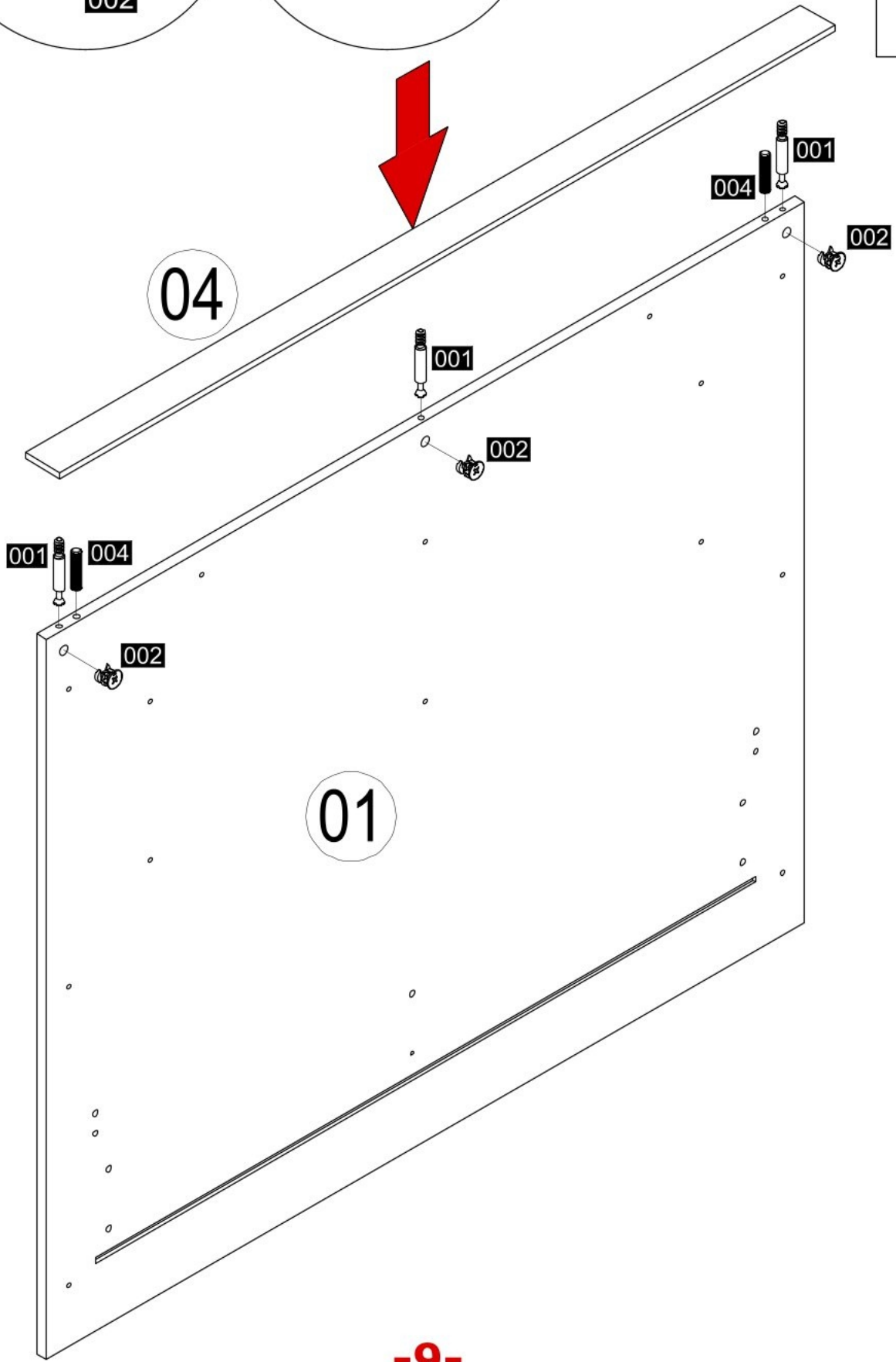
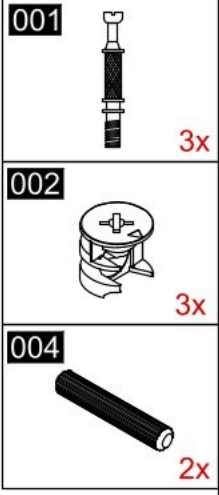
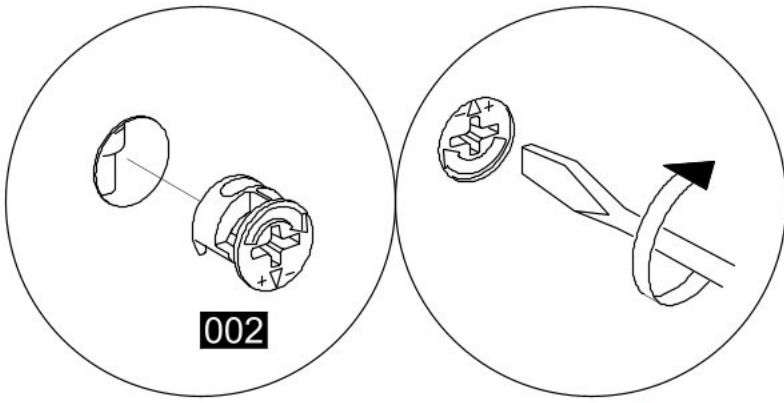


- | | |
|---|---|
| 031

2x | 002

2x |
| 114

4x | 001

2x |
| 004

1x | |
| 105

2x | |
| 336

2x | |

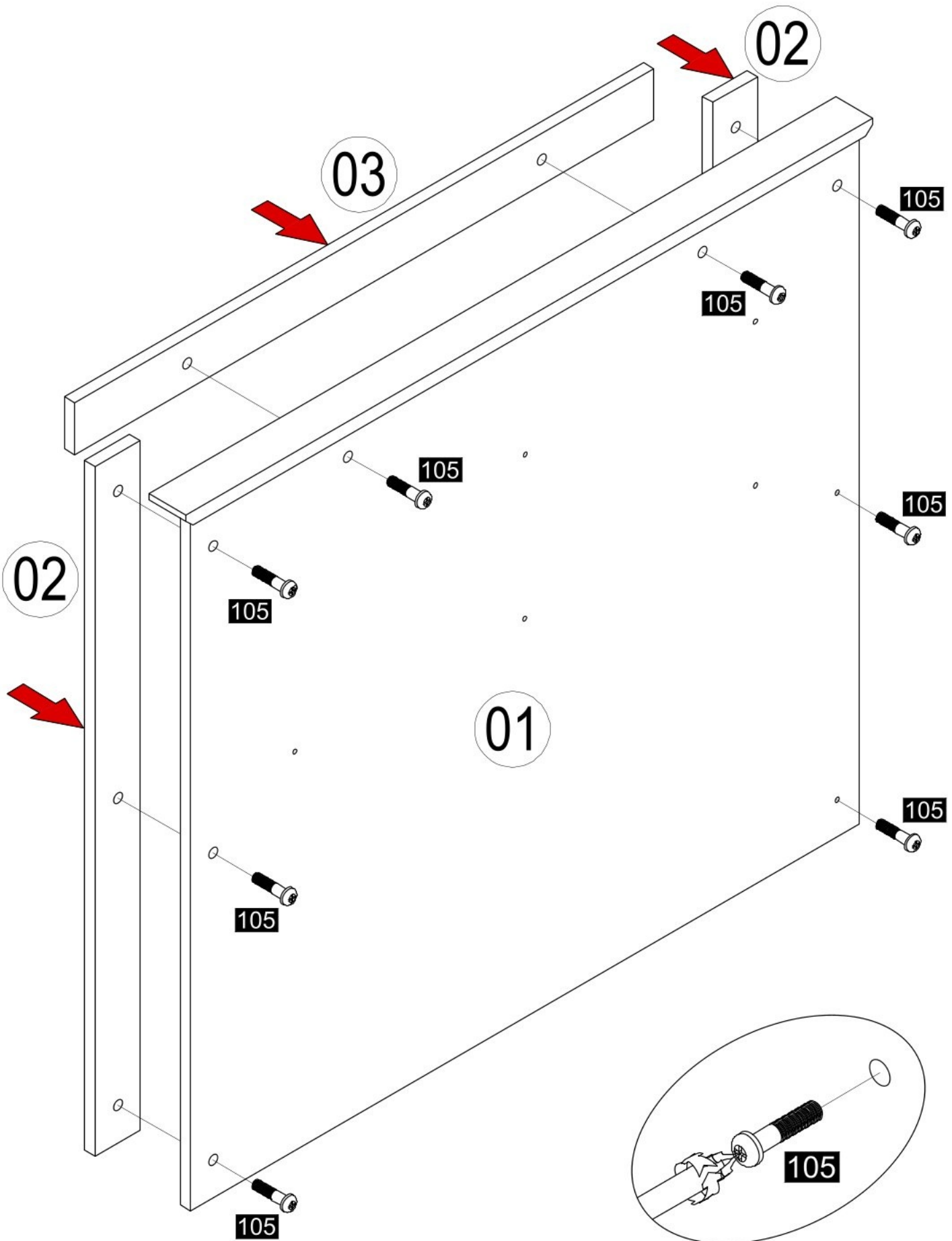
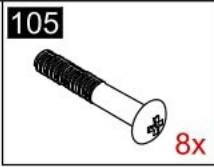




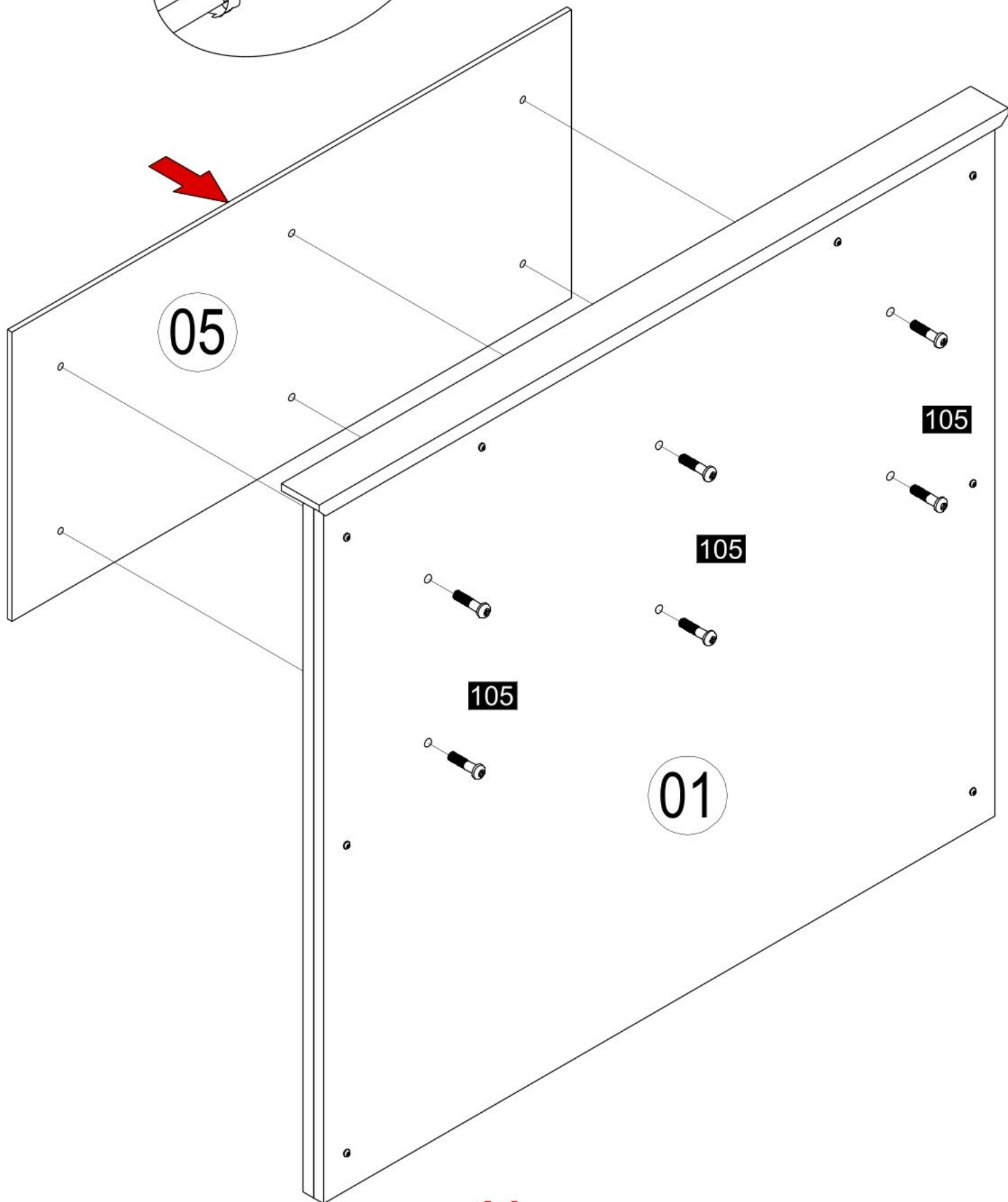
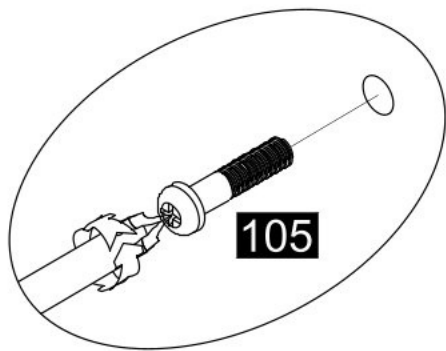
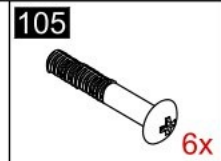
6





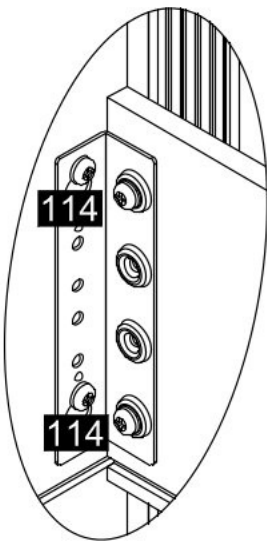
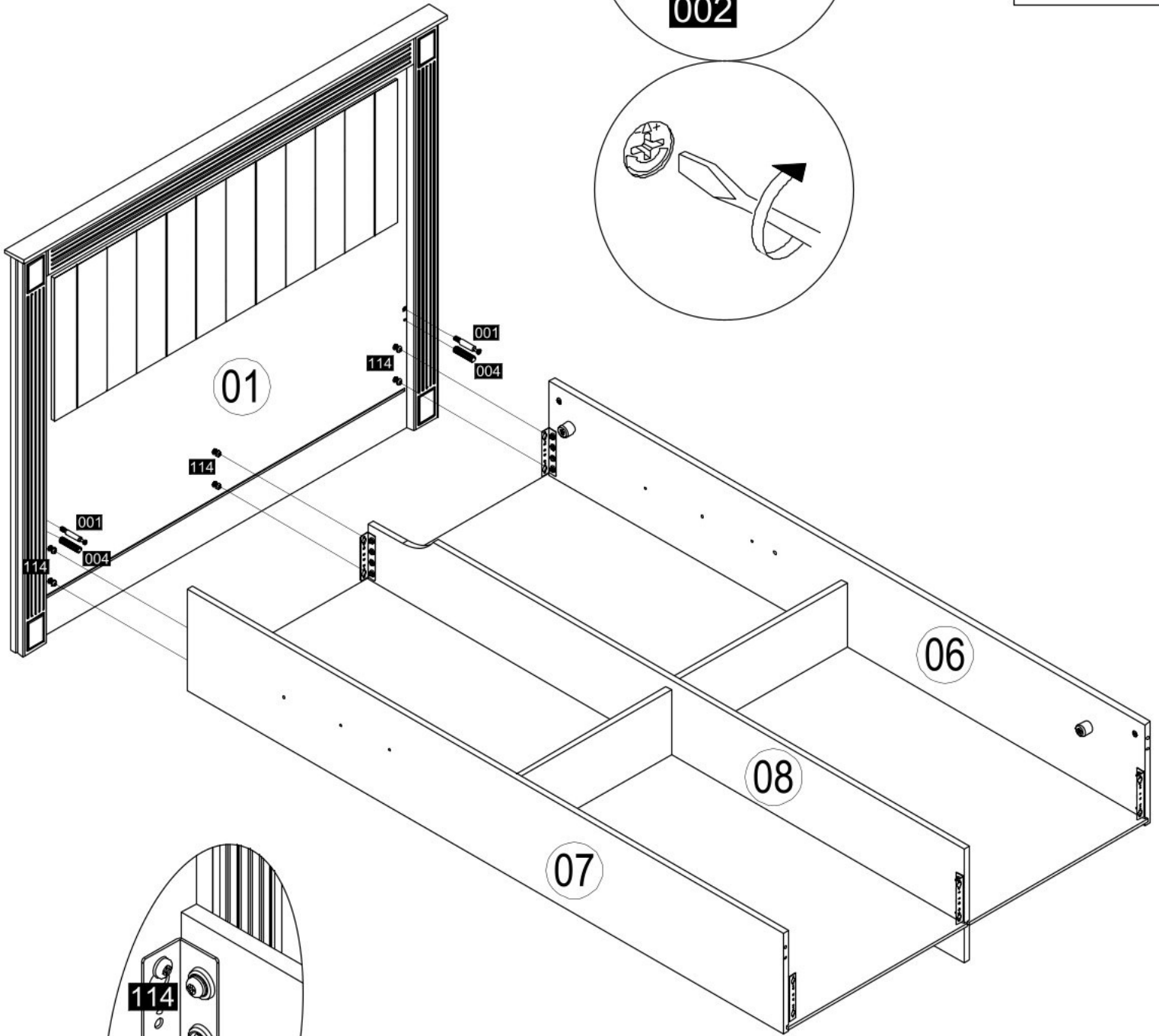
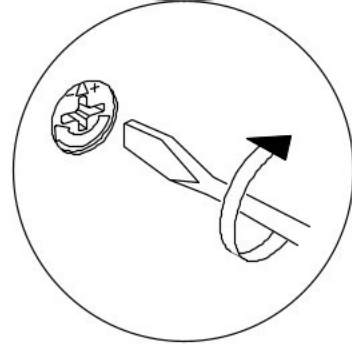
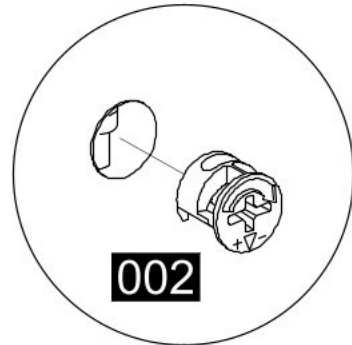
7



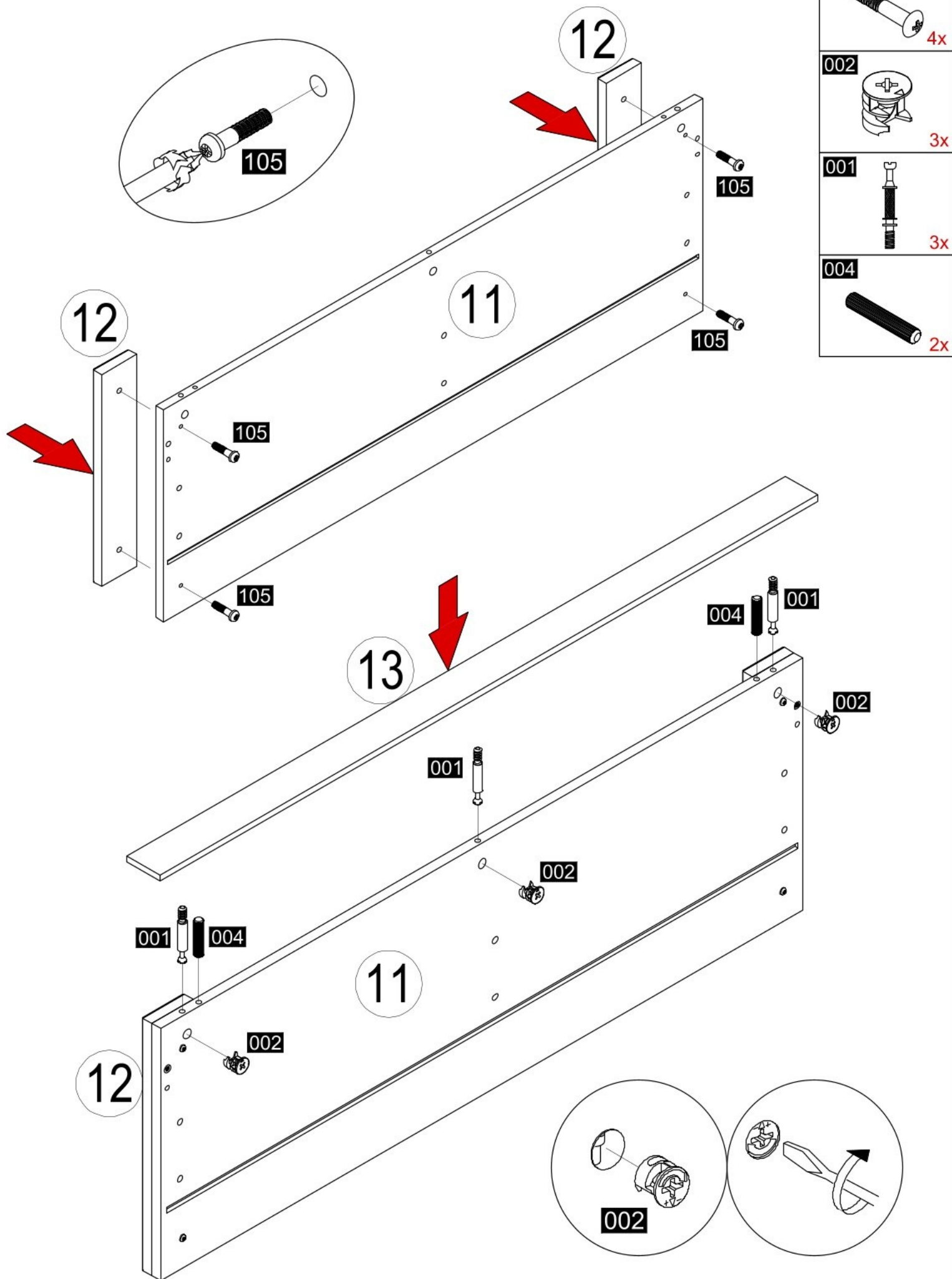
8

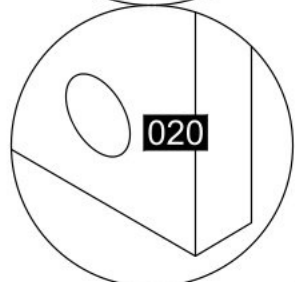
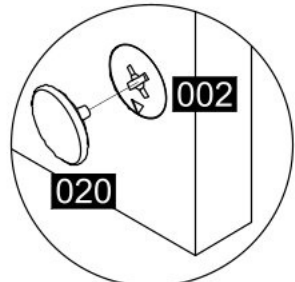
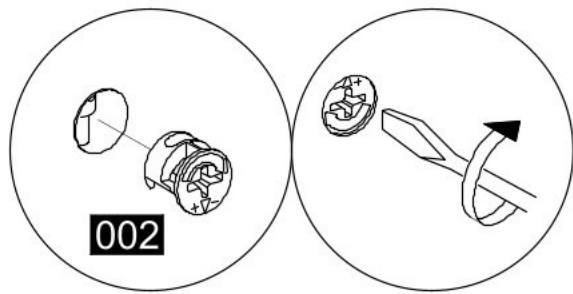
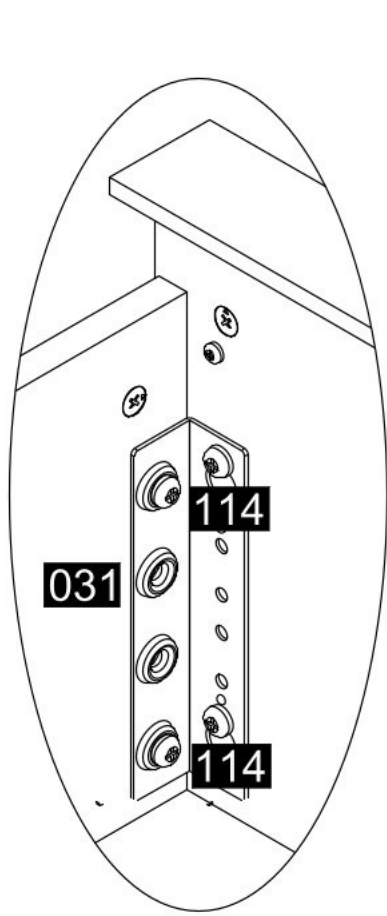






- 001  2x
- 004  2x
- 114  6x

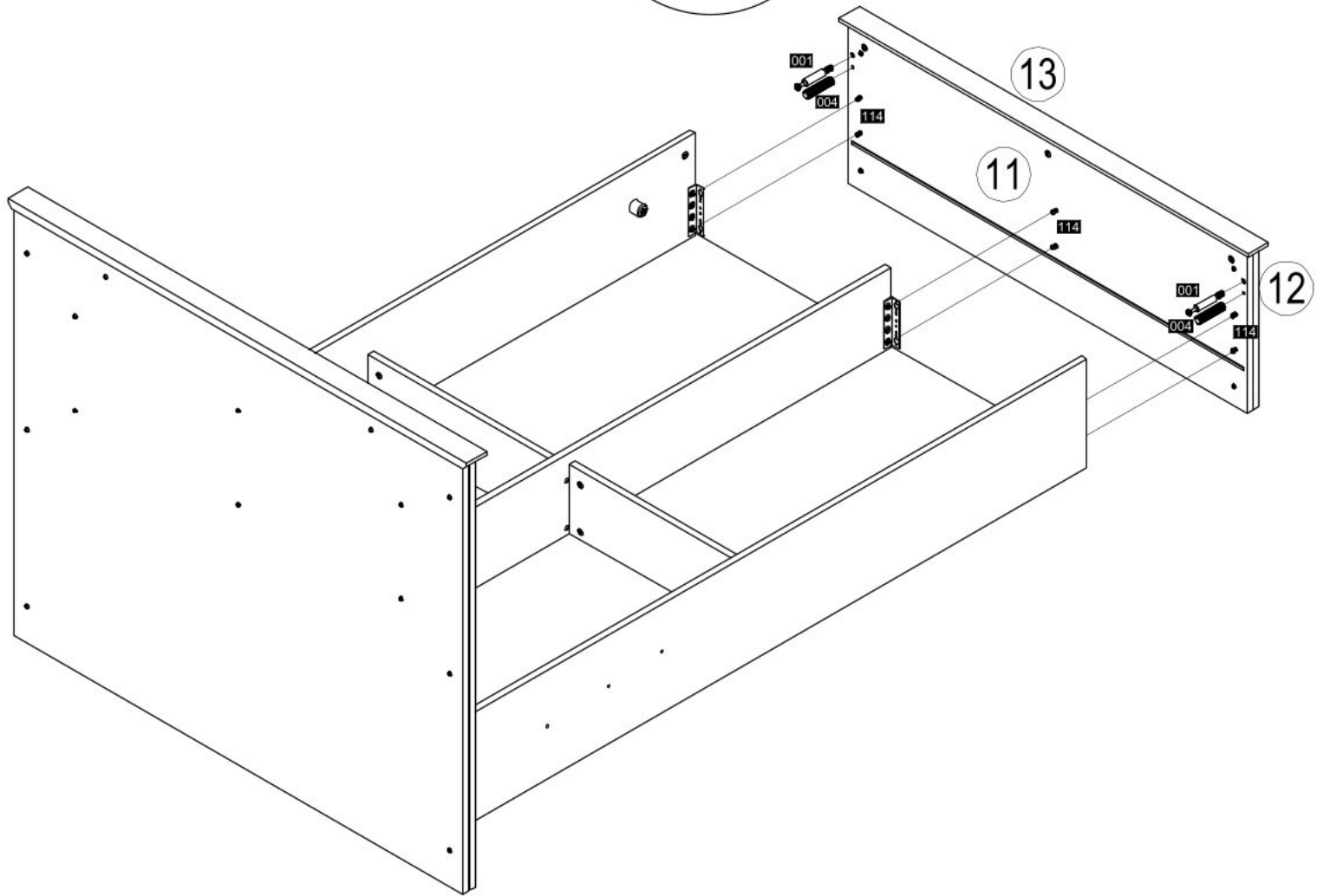








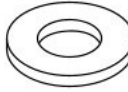


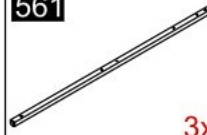

10





- 001  2x
- 004  2x
- 114  6x
- 020  7x



462  2x	476  2x	334  1x
110  6x	477  2x	348  2x
133  6x	124  10x	350  1x
561  3x	121  6x	

