



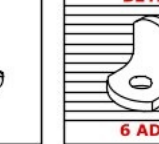
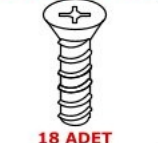


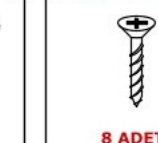
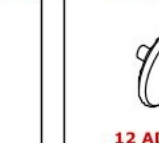
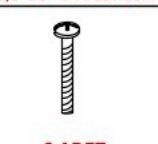

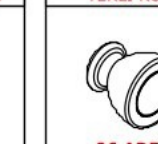
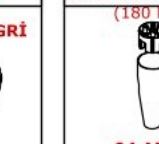

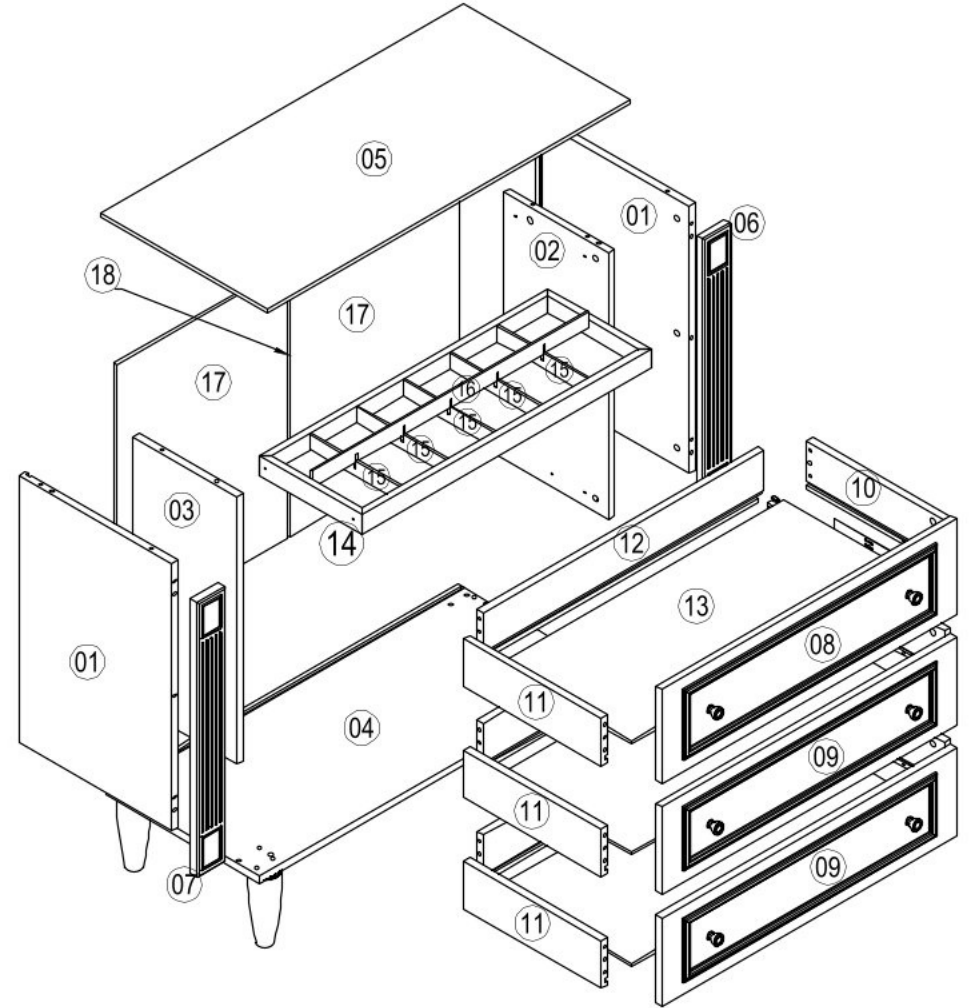




Zásuvková komoda ESME

AKSESUAR LİSTESİ / ACCESSORIES LIST

<p>ACCESSORIE NO : 001 MİNİFİX MİL 6 MM</p>  <p>6 ADET</p>	<p>ACCESSORIE NO : 317 10'LUK MİNİFİX MİL</p>  <p>30 ADET</p>	<p>ACCESSORIE NO : 002 TİTUS MİNİFİX GÖVDE</p>  <p>36 ADET</p>	<p>ACCESSORIE NO : 004 Ø8x30 KAVELA</p>  <p>34 ADET</p>	<p>ACCESSORIE NO : 406 PLS. RAF PİMİ EURO VİDALI BEYAZ</p>  <p>6 ADET</p>
<p>ACCESSORIE NO : 372 6.3*13 MM EURO VİDA</p>  <p>18 ADET</p>	<p>ACCESSORIE NO : 351 TANDEM RAY 400 (SAMET)</p>  <p>3 TAKIM</p>	<p>ACCESSORIE NO : 172 ÇİFT AÇILIMLI 350mm RAY SAMET</p>  <p>1 TAKIM</p>	<p>ACCESSORIE NO : 113 3.5*18 MM S. VİDASI</p>  <p>8 ADET</p>	<p>ACCESSORIE NO : 020 MİNİFİX TAPA GRİ</p>  <p>12 ADET</p>
<p>ACCESSORIE NO : 533 3,9*28 MM PLS.VİDA</p>  <p>6 ADET</p>		<p>ACCESSORIE NO : 128 M6*30 Y.S.B. VİDA</p>  <p>8 ADET</p>	<p>ACCESSORIE NO : 626 TEKLİ KULP GRİ</p>  <p>06 ADET</p>	<p>ACCESSORIE NO : 625 NETAKS ARMUT AYAK (180 MM) GRİ</p>  <p>04 ADET</p>
<p>ACCESSORIE NO : 011 ARKALIK SABİTLEME 3.5x25 S.VİDASI</p>  <p>08 ADET</p>				

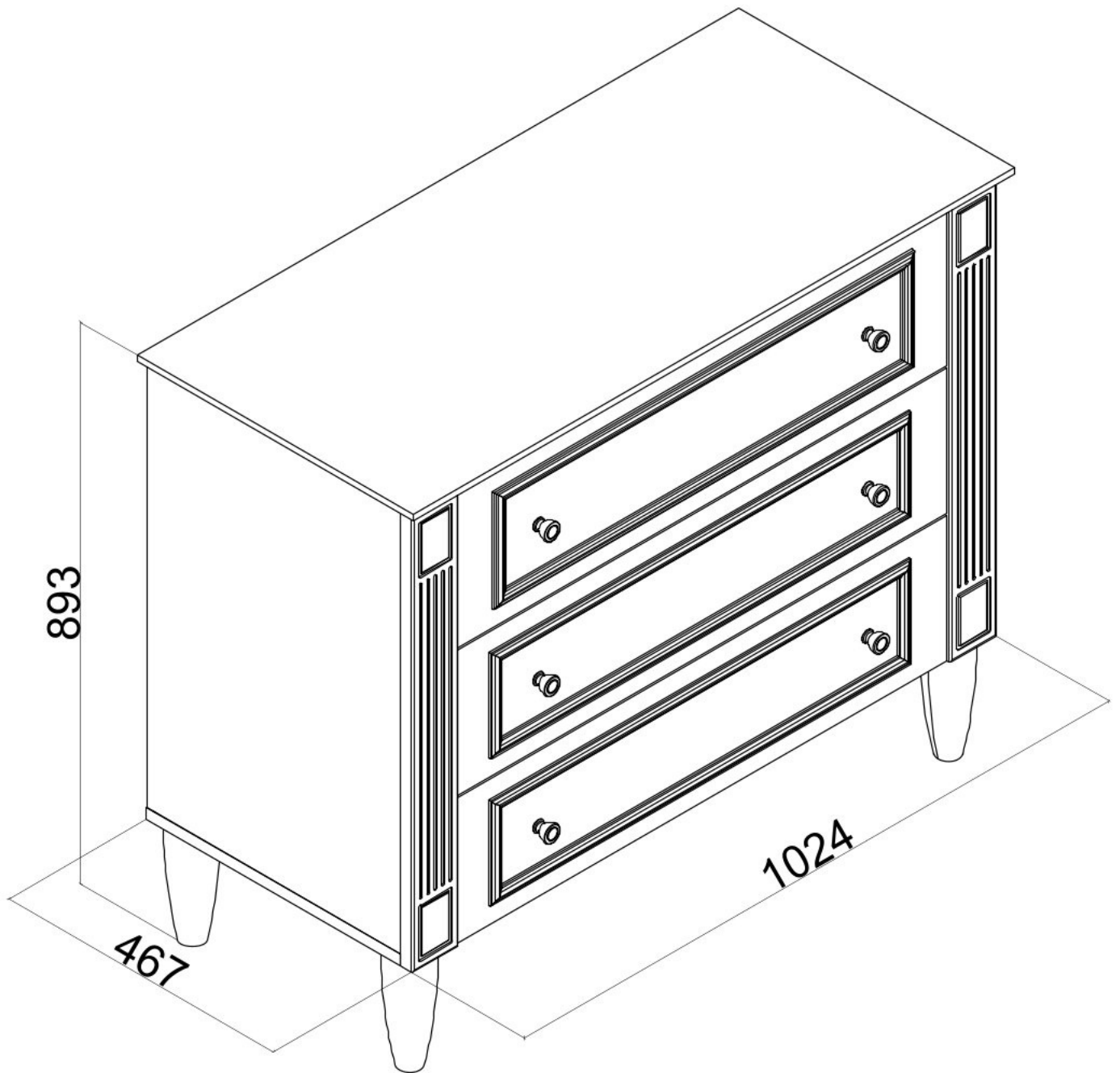


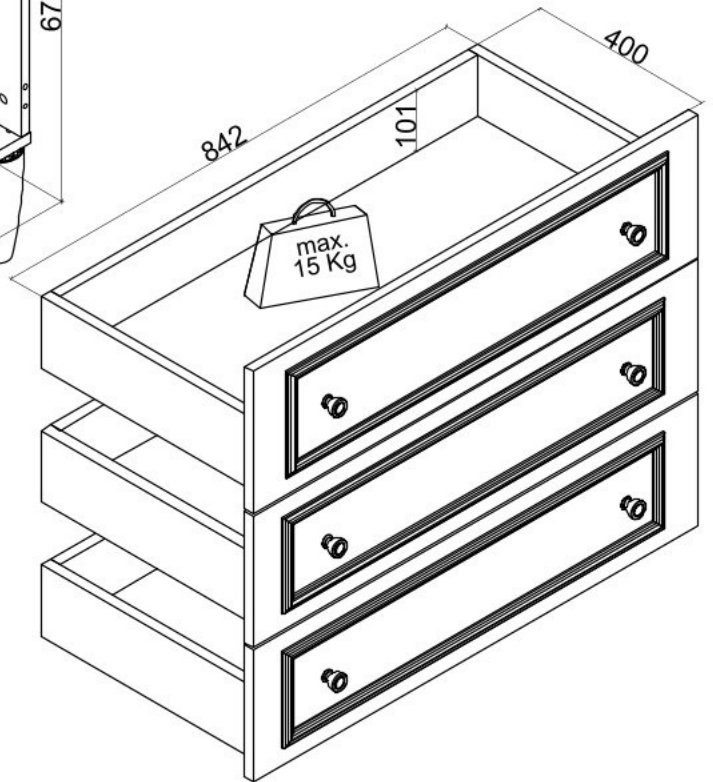
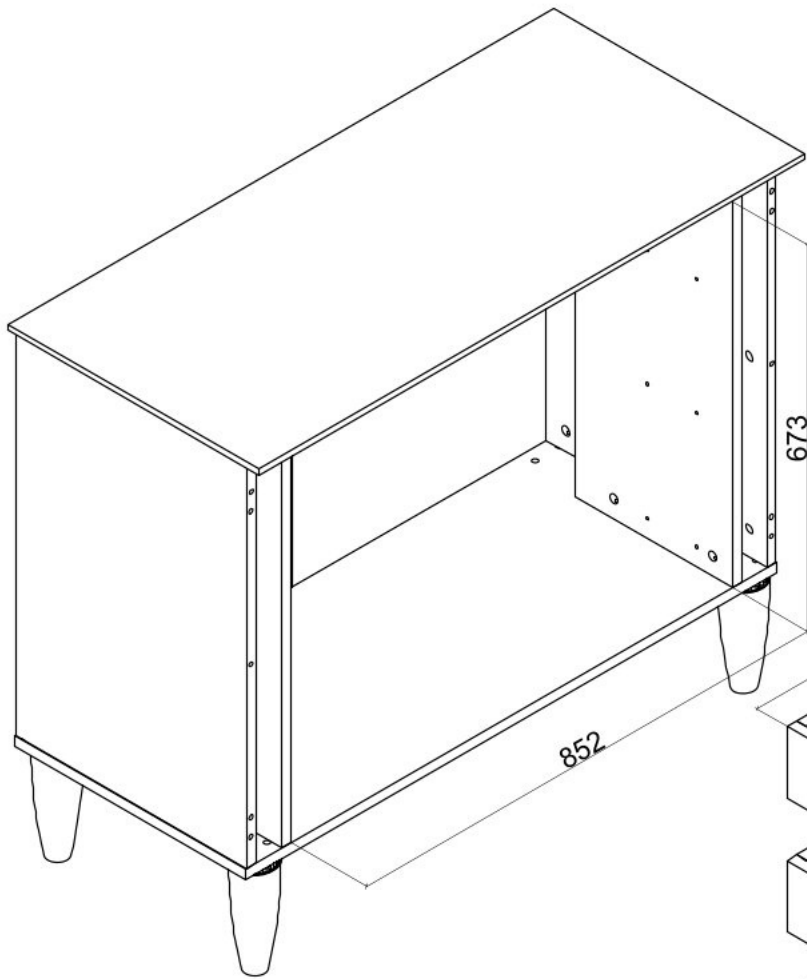
FR-002

NO	ADET/PCS	ÖLÇÜ/DIMENSIONS	NO	ADET/PCS	ÖLÇÜ/DIMENSIONS	NO	ADET/PCS	ÖLÇÜ/DIMENSIONS
01	2	673 X 445	11	3	400 X 120			
02	1	673 X 304	12	3	806 X 120			
03	1	673 X 304	13	3	816 X 387			
04	1	1024 X 445	14	1	826 X 310			
05	1	1054 X 484	15	5	790 X 40			
06	1	691 X 81	16	1	274 X 40			
07	1	691 X 81	17	2				
08	1	858 X 238	18	1				
09	2	858 X 222						
10	3	400 X 120						

YEDEK AKSESUAR SİPARİŞLERİNİ RESME BAKARAK VERİNİZ. (Örn:ACCESSORIE.NO:008 - RAFİX MİL - 1 Ad.)
PLEASE ORDER THE ACCESSORIES ACCORDING TO THE REFERENCE NUMBER ON THE DRAWING(EXAMPLE ACCESSORIE NO-008 RAFİX MİL 1.PCS.)

YEDEK PARÇA SİPARİŞLERİNİ RESME BAKARAK PARÇA NUMARASINA GÖRE VERİNİZ
PLEASE ORDER THE SPARE PARTS ACCORDING TO THE REFERENCE NUMBER ON THE DRAWING





1

128

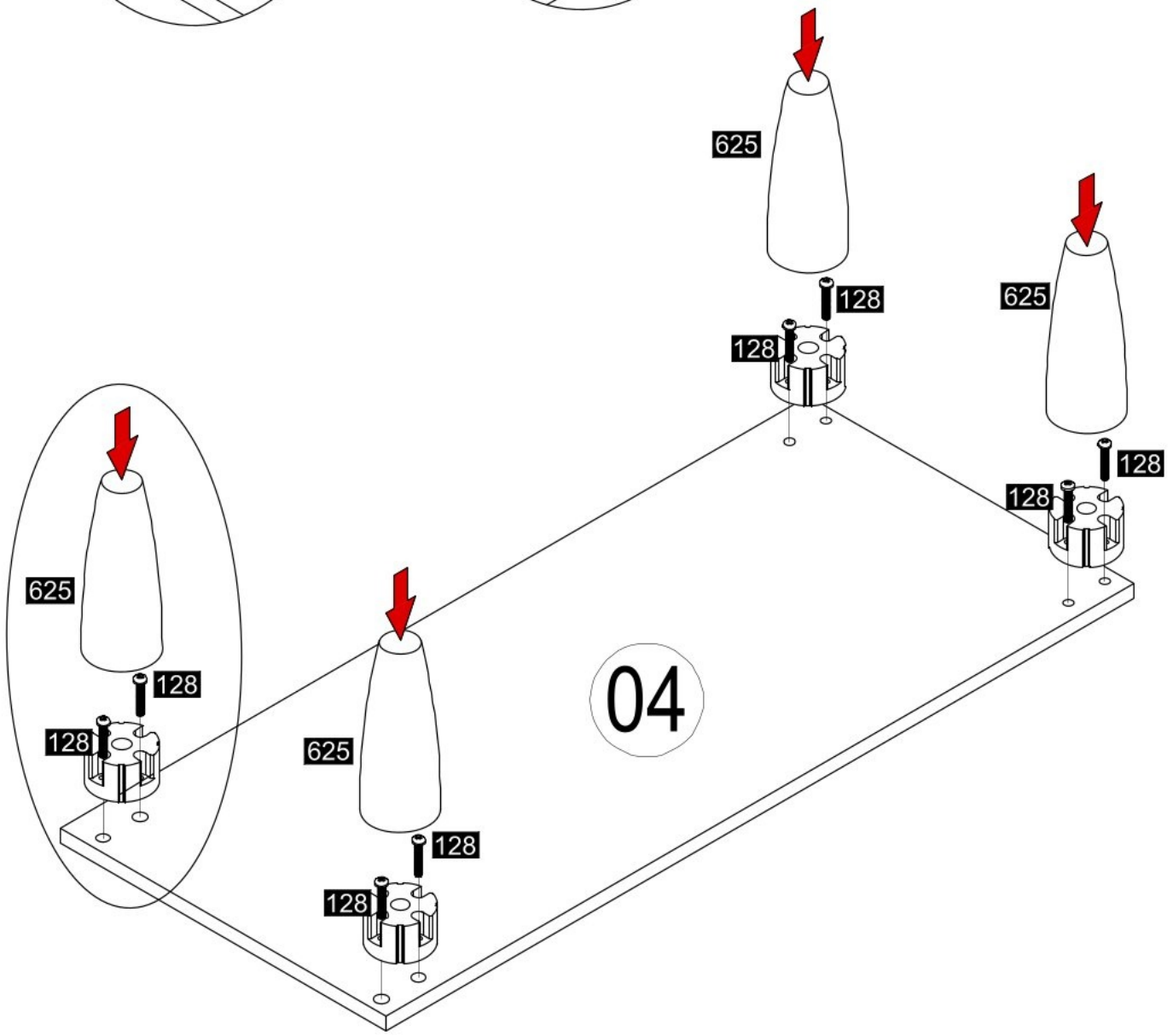
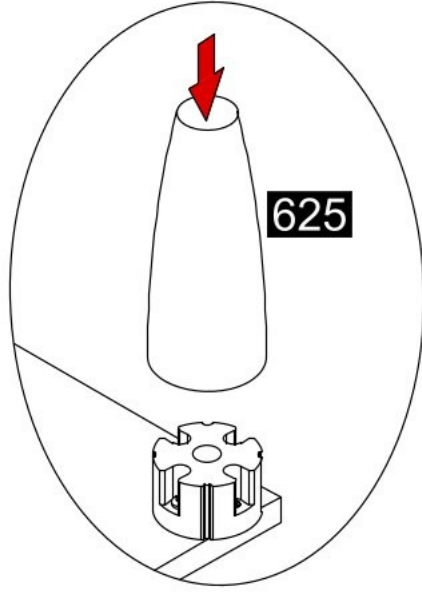
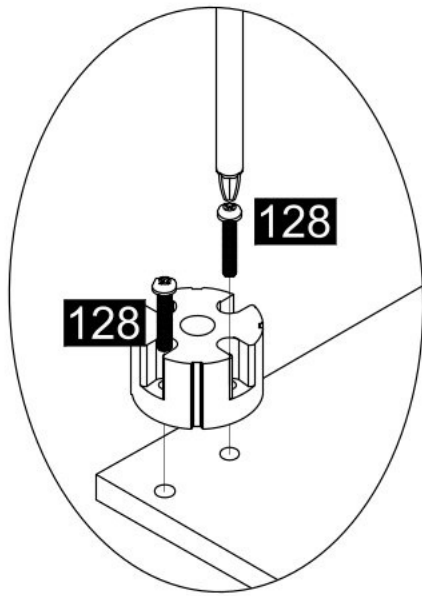


8x

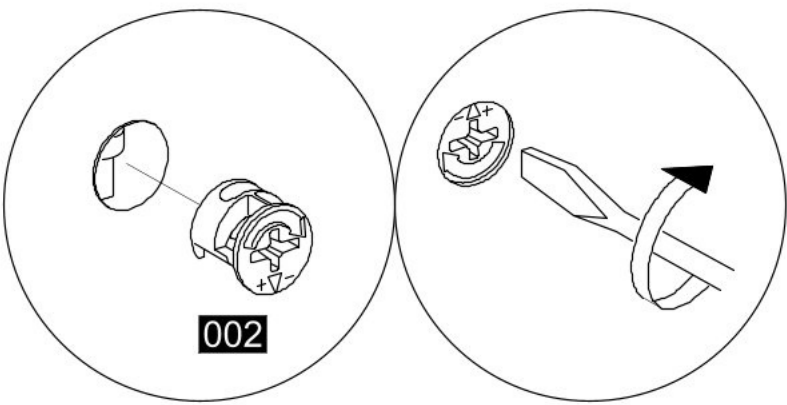
625






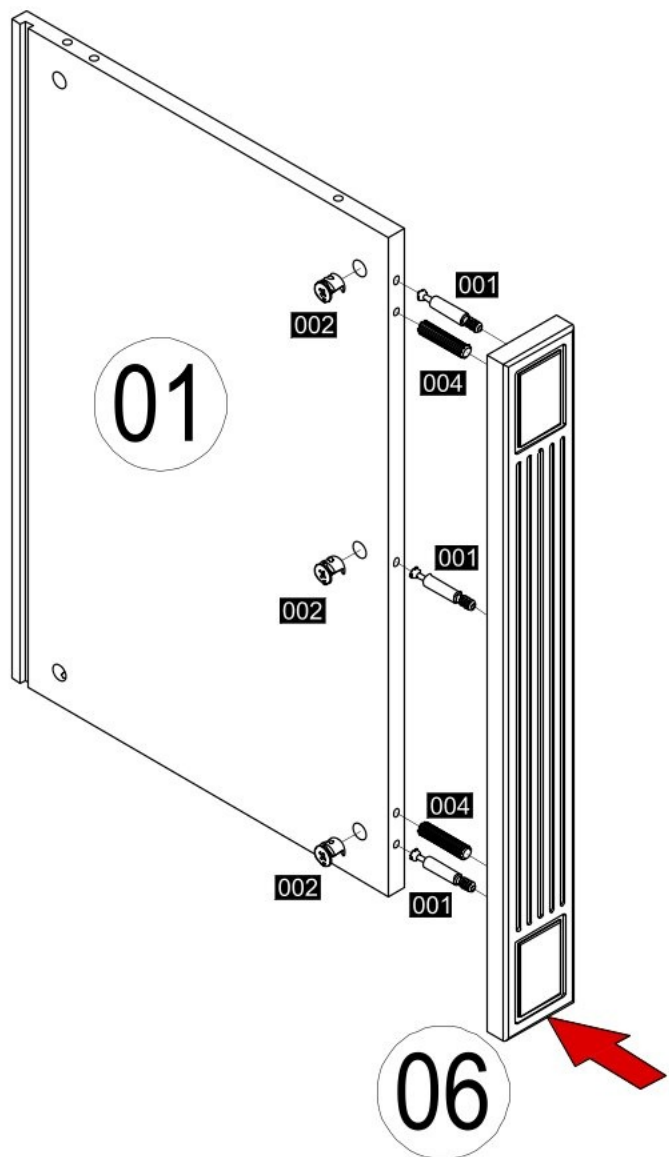
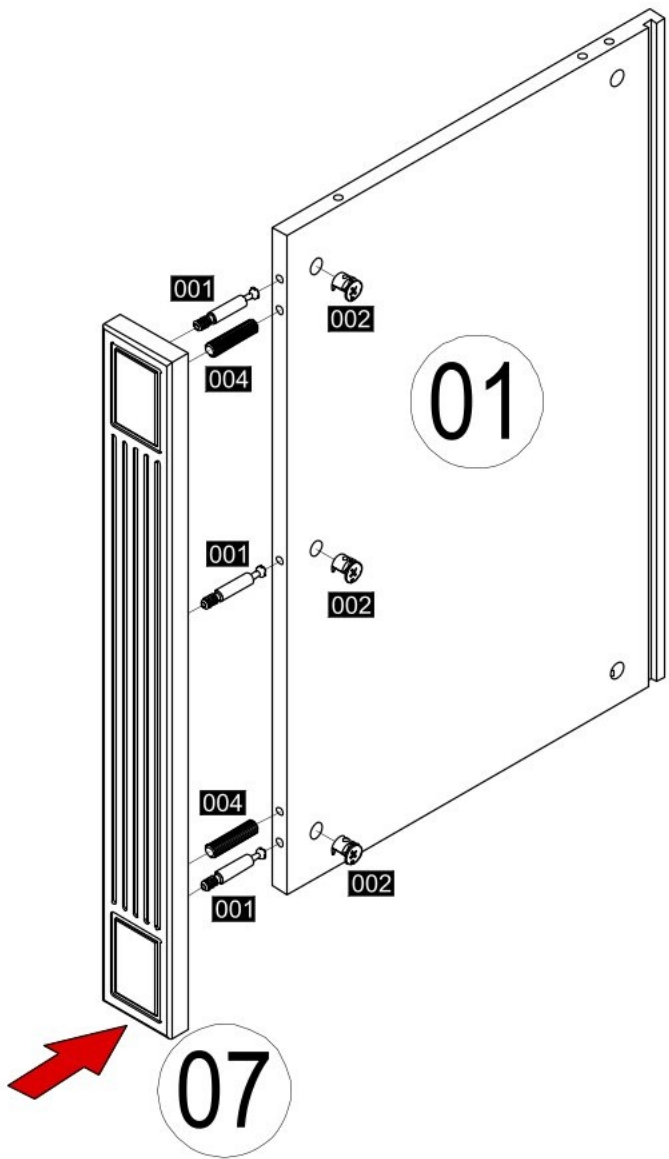
4x



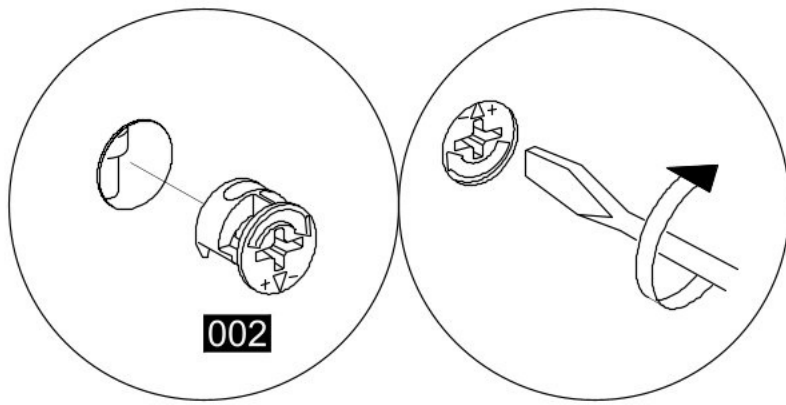
2



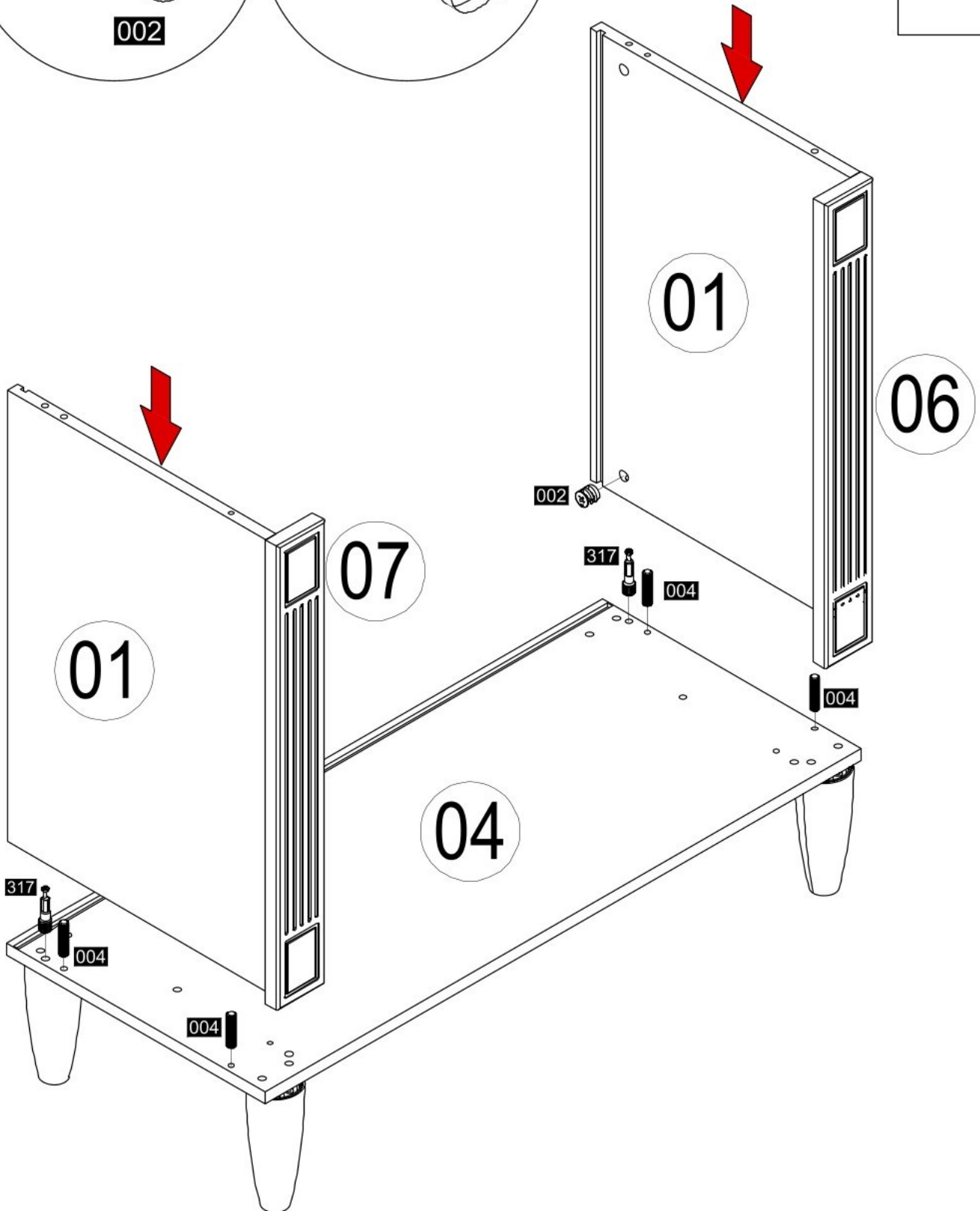
- 001  6x
- 002  6x
- 004  4x



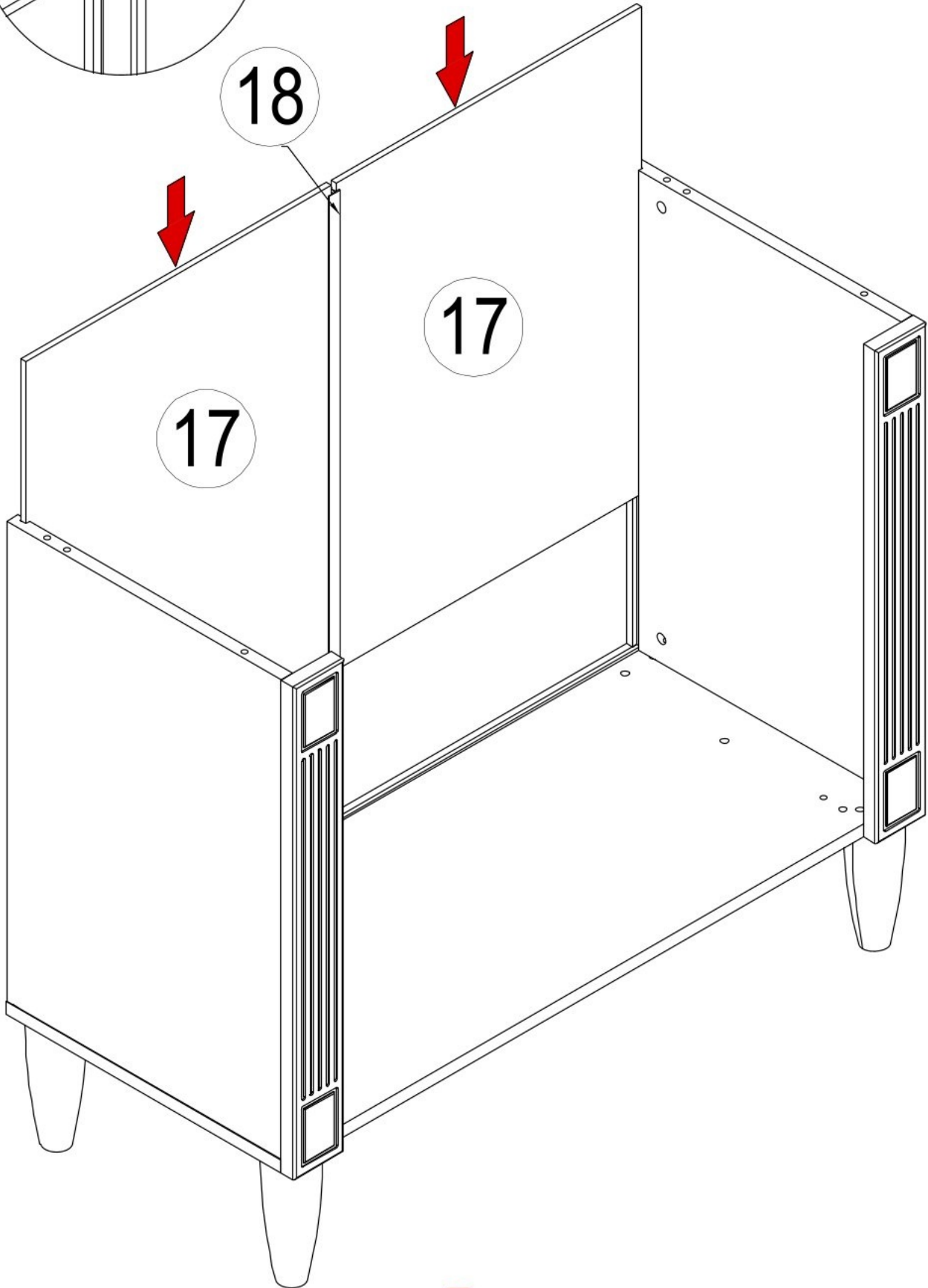
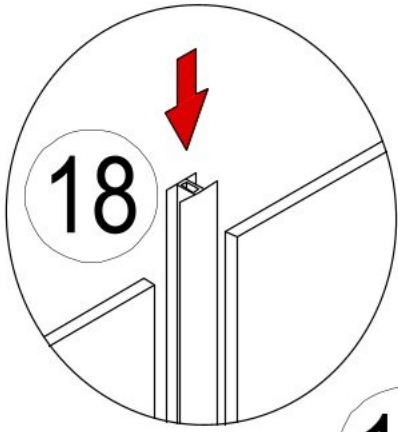
3



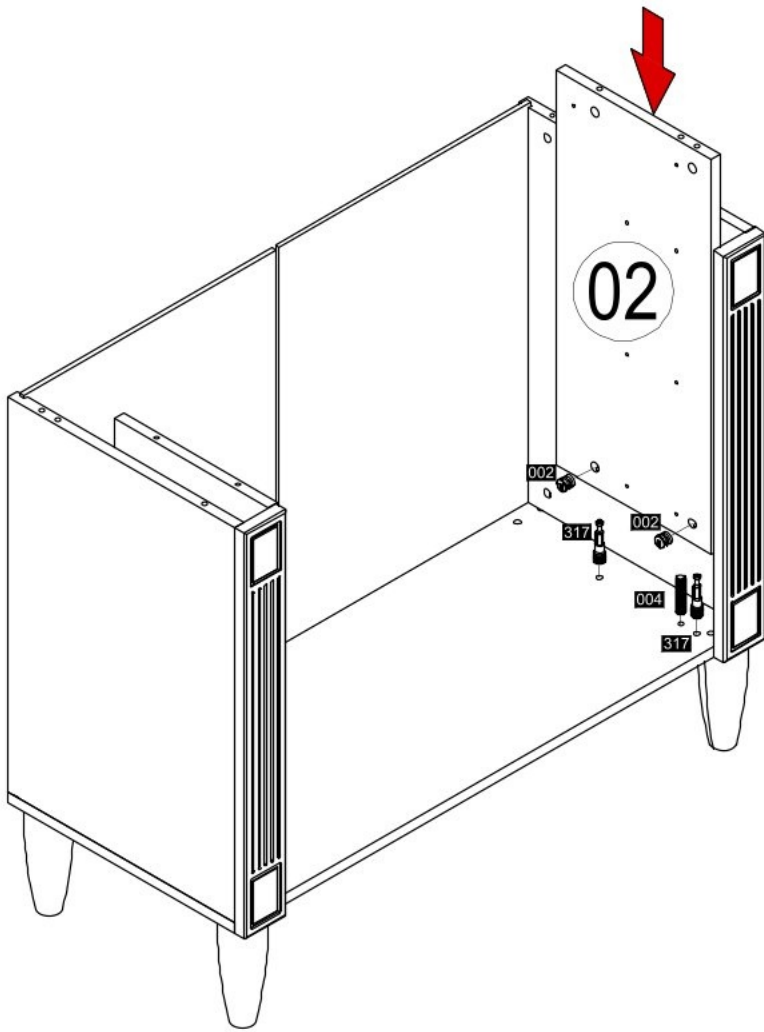
- 317 2x
- 002 2x
- 004 4x






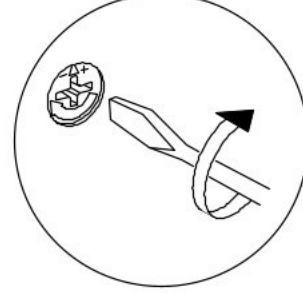
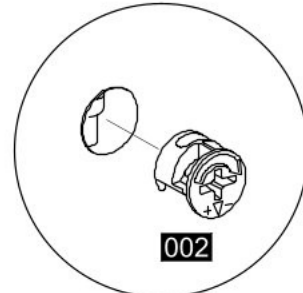
4



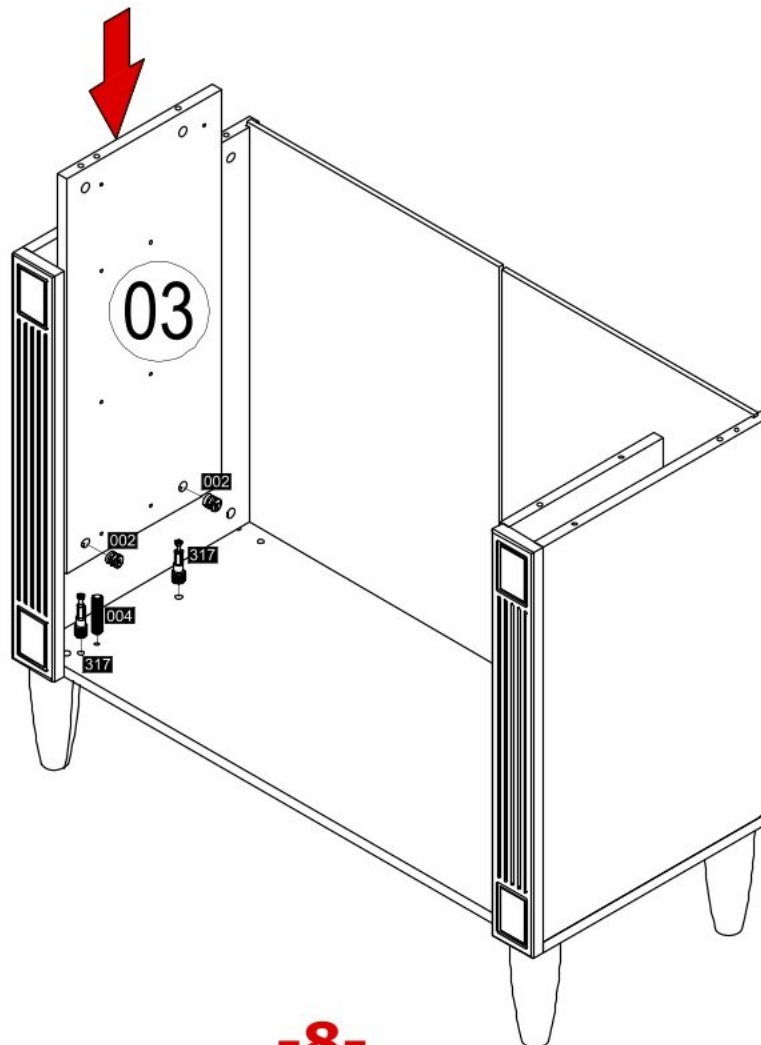
5






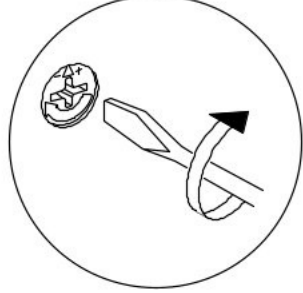
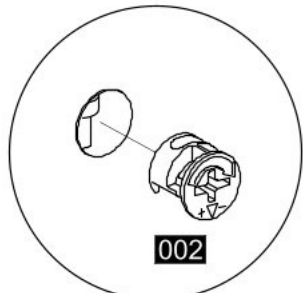
- 317**  2x
- 002**  2x
- 004**  1x

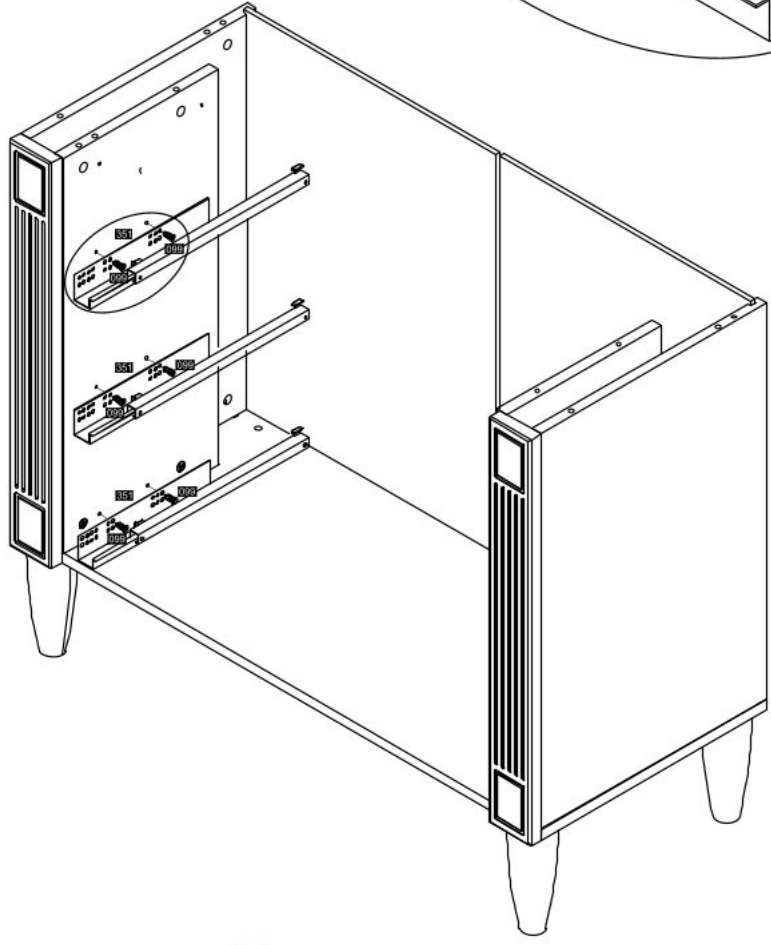
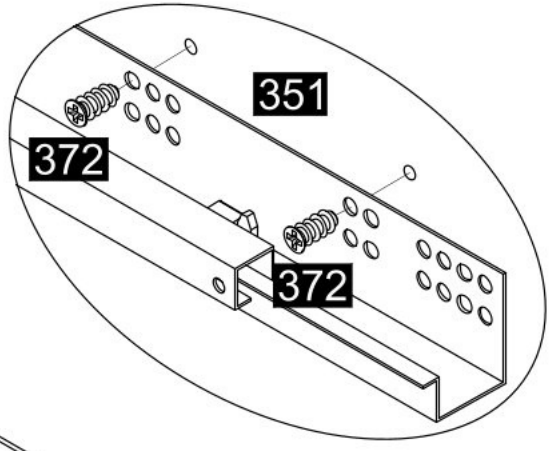
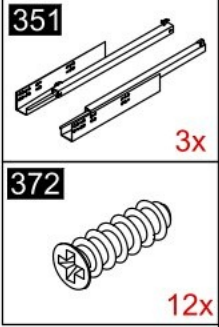
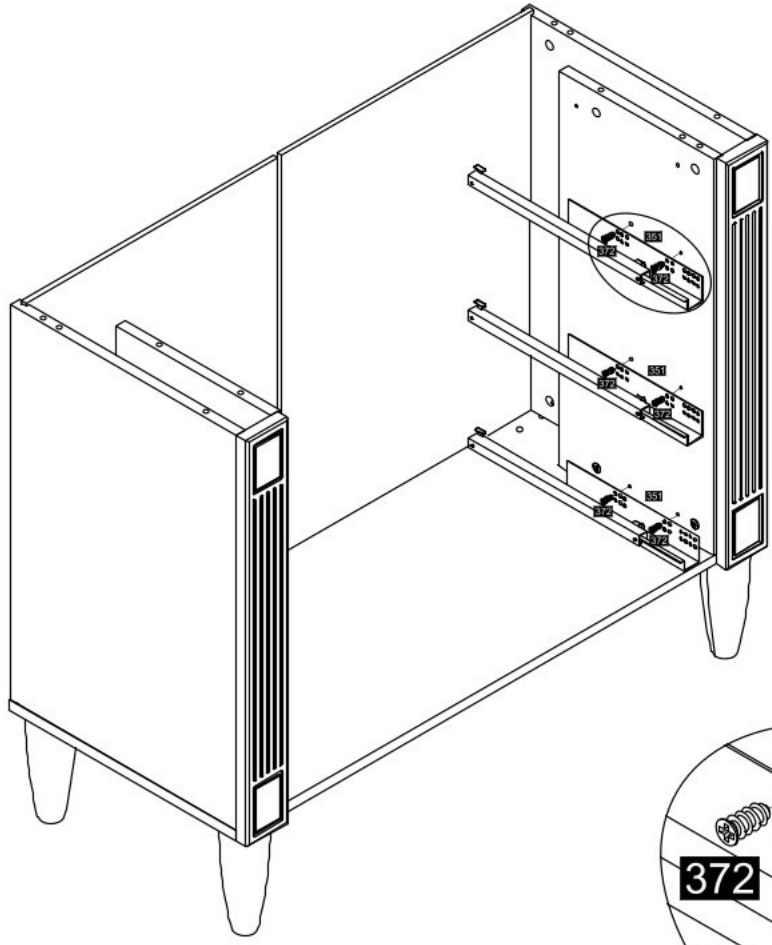


6

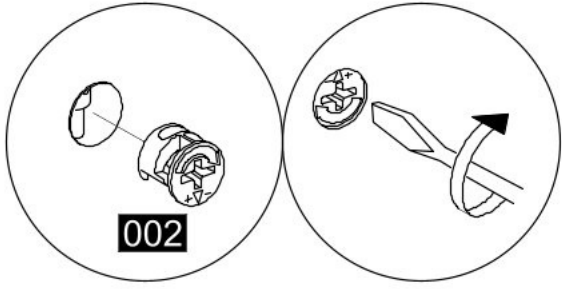


- 317**  2x
- 002**  2x
- 004**  1x

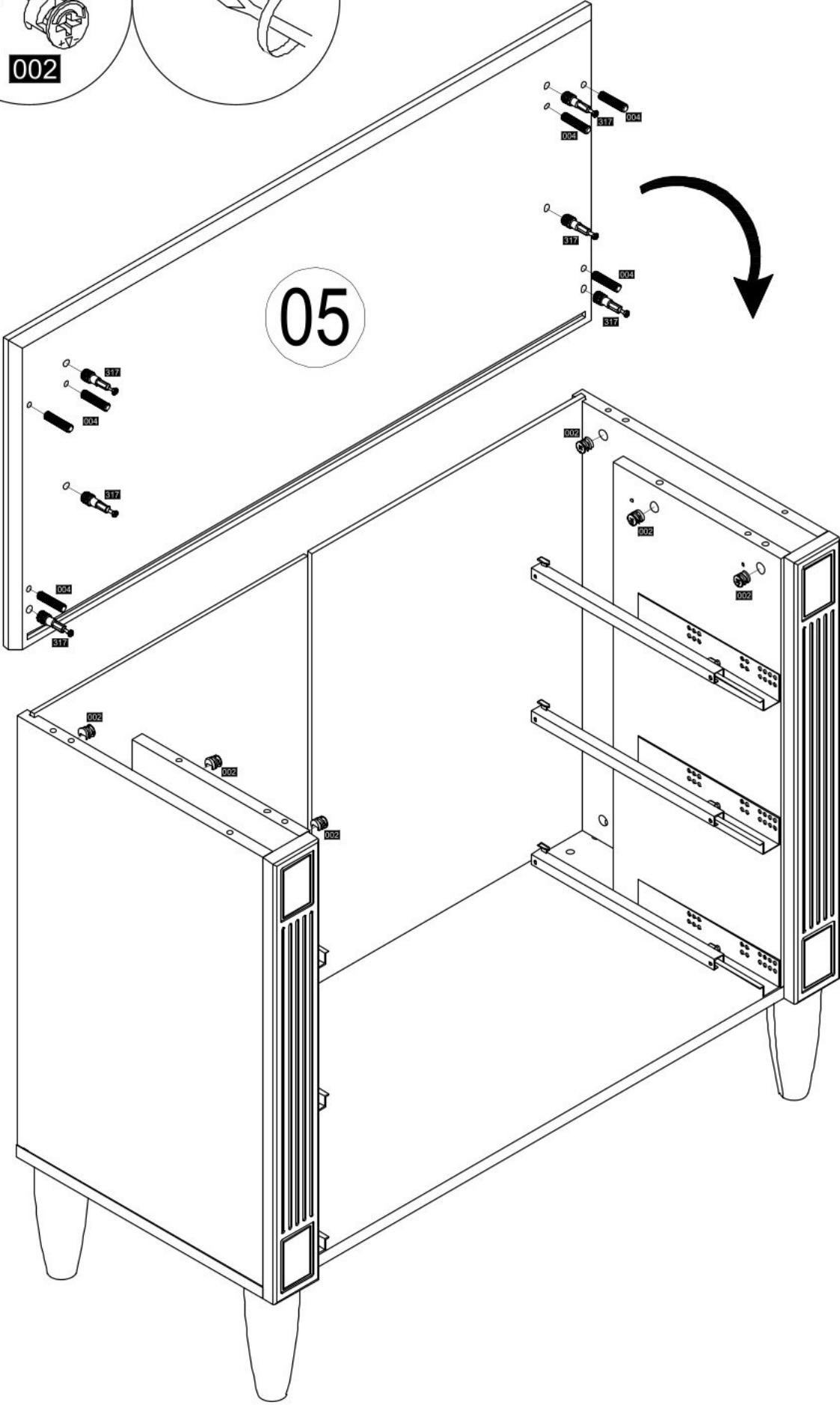




8



002



05

317



6x

002



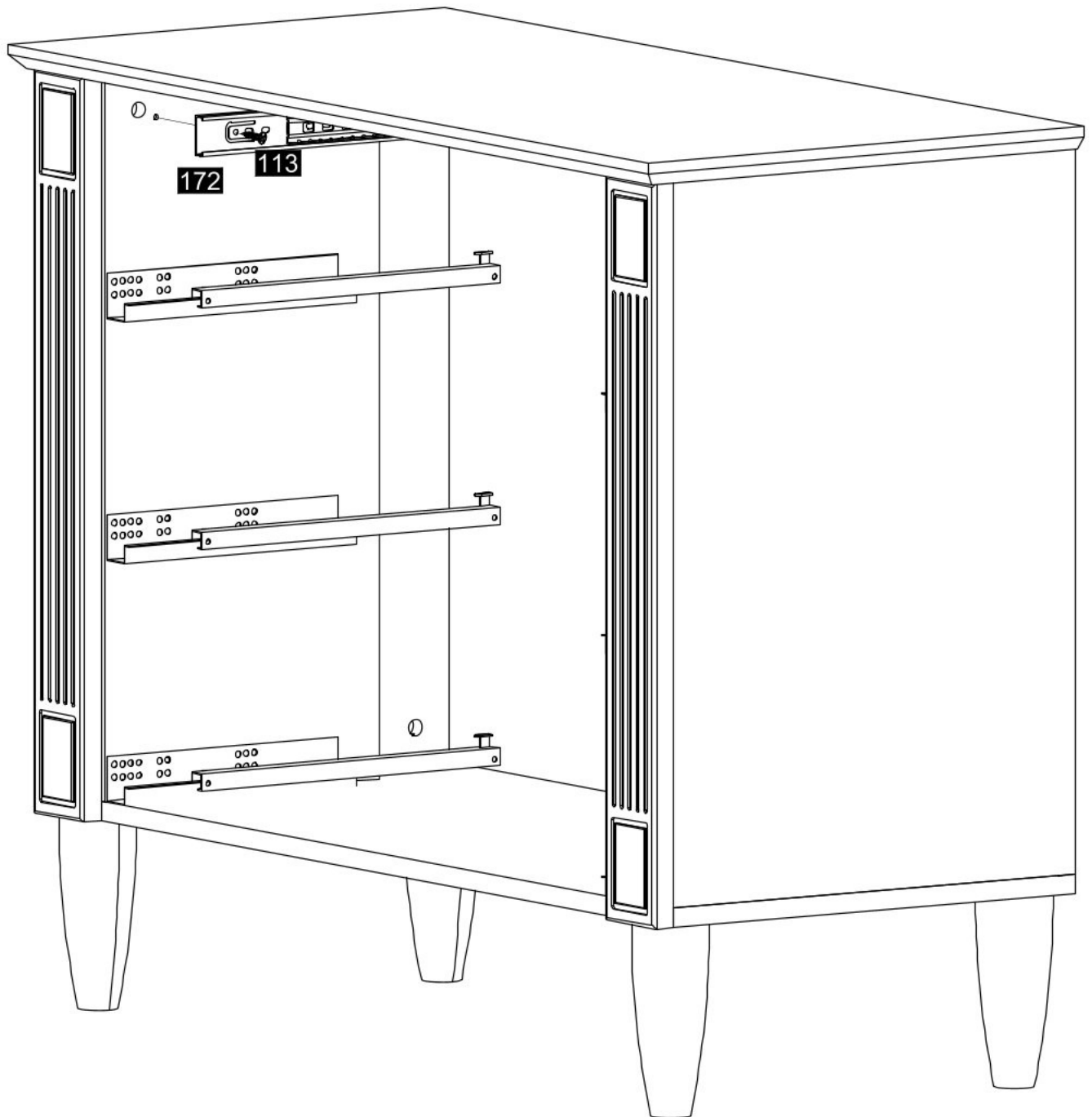
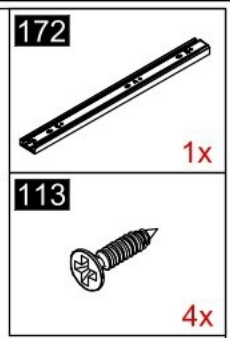
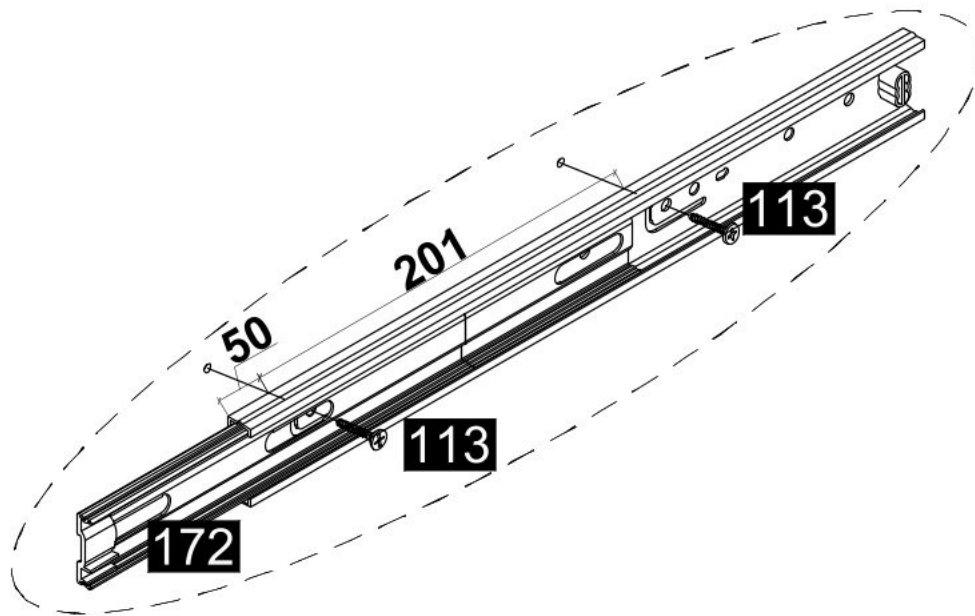
6x

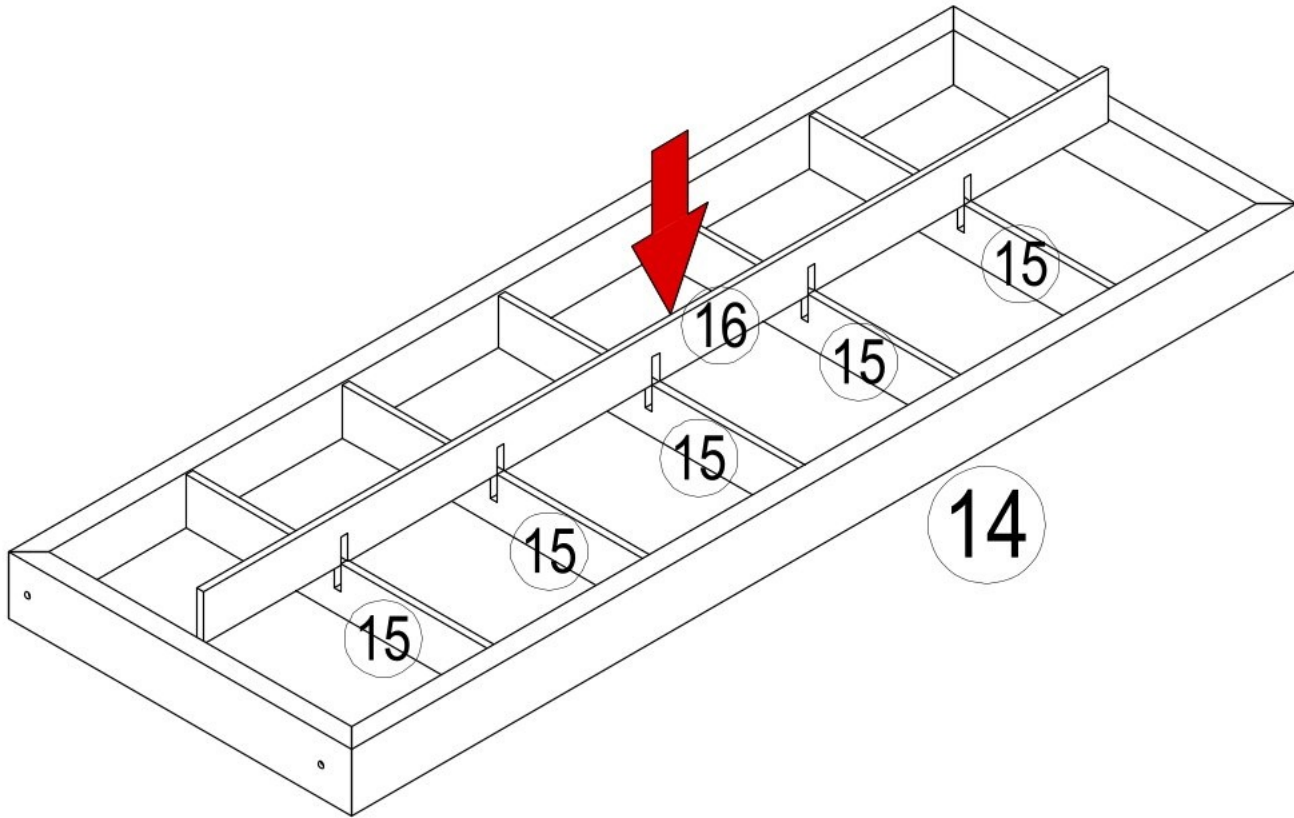
004



6x

9

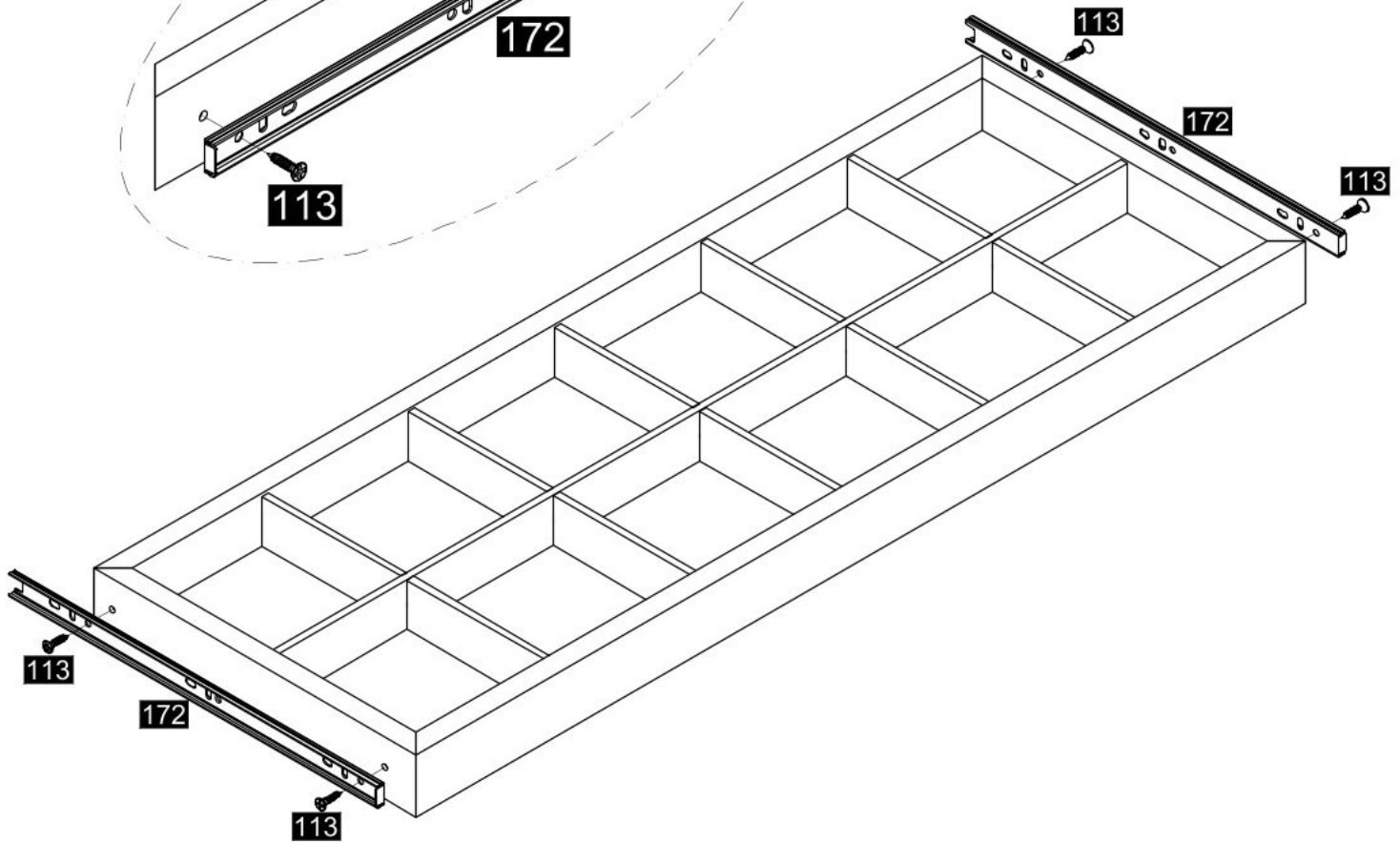
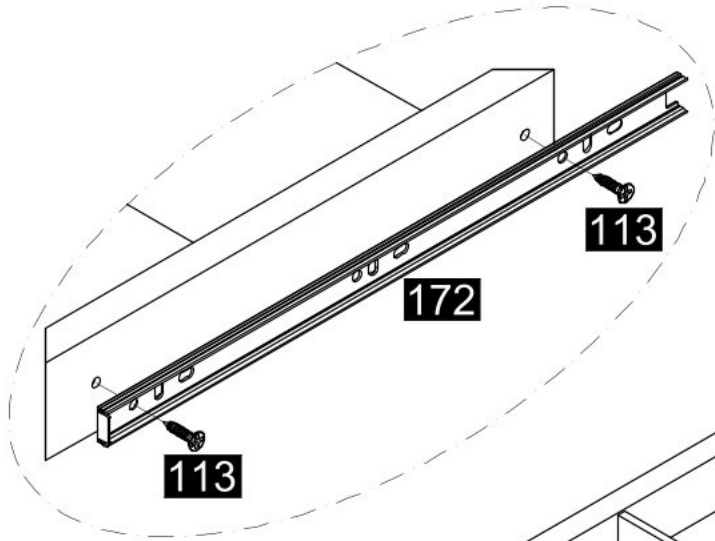


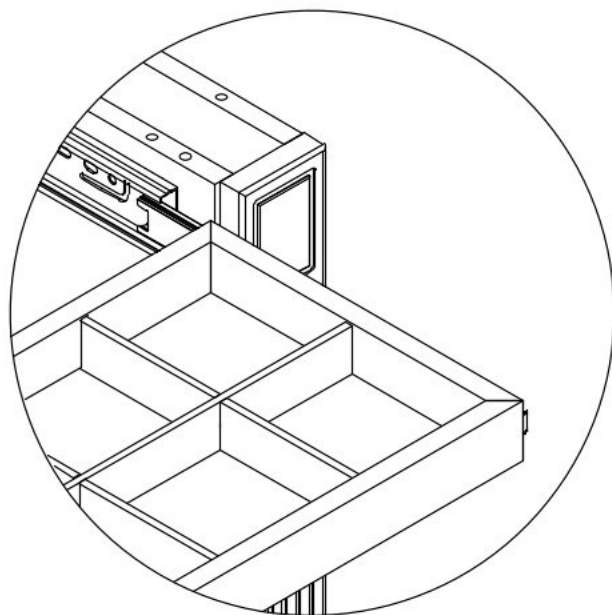
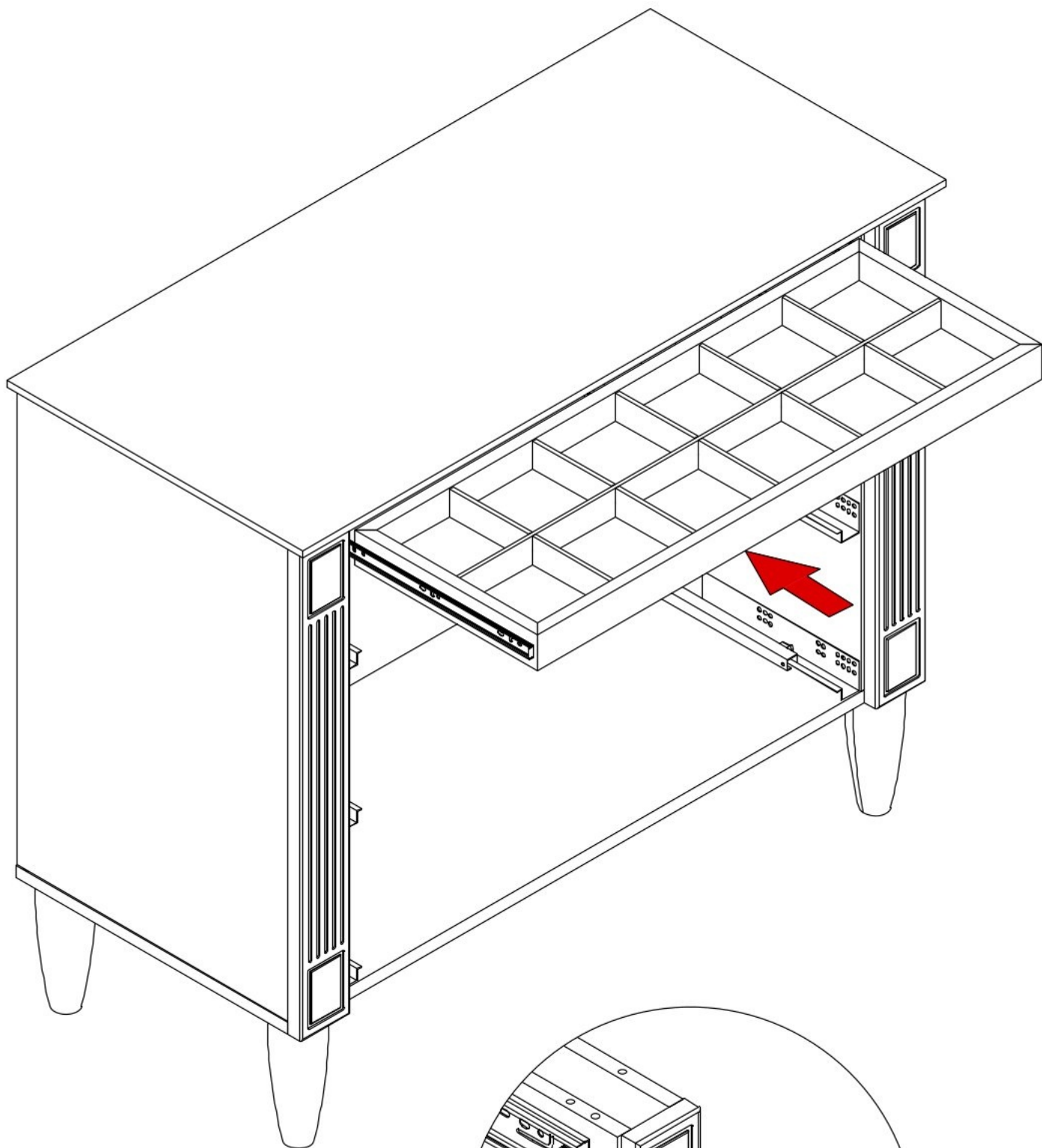


172

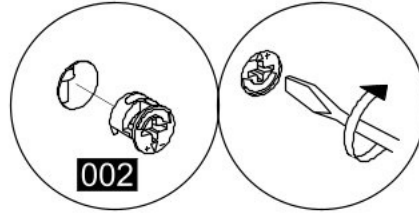
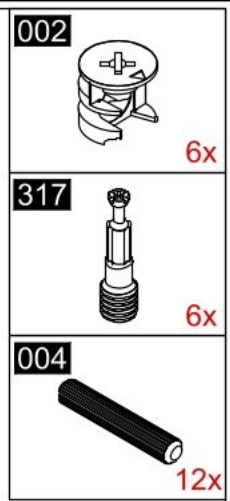
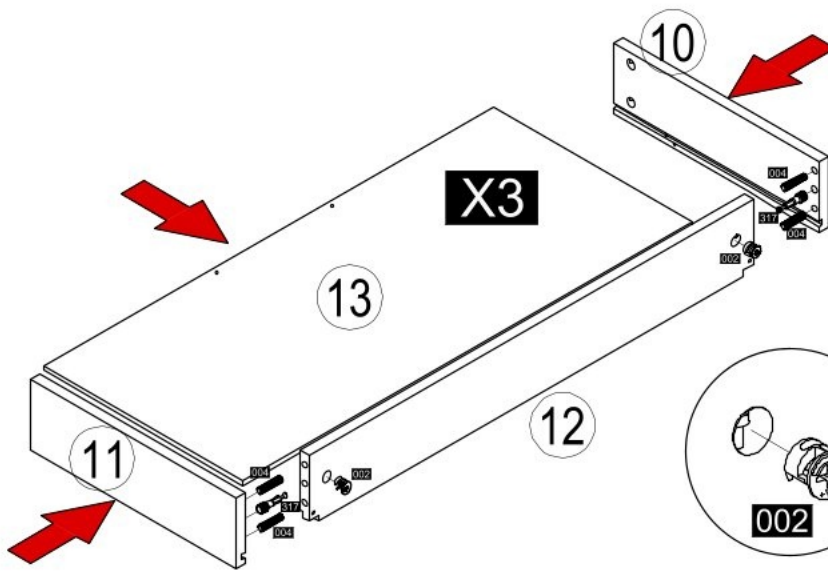


113

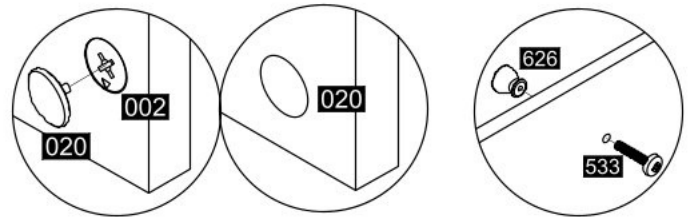
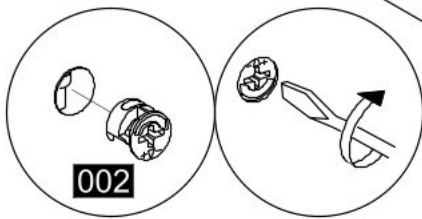
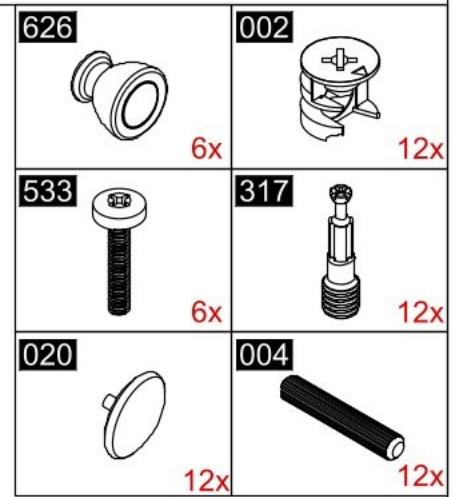
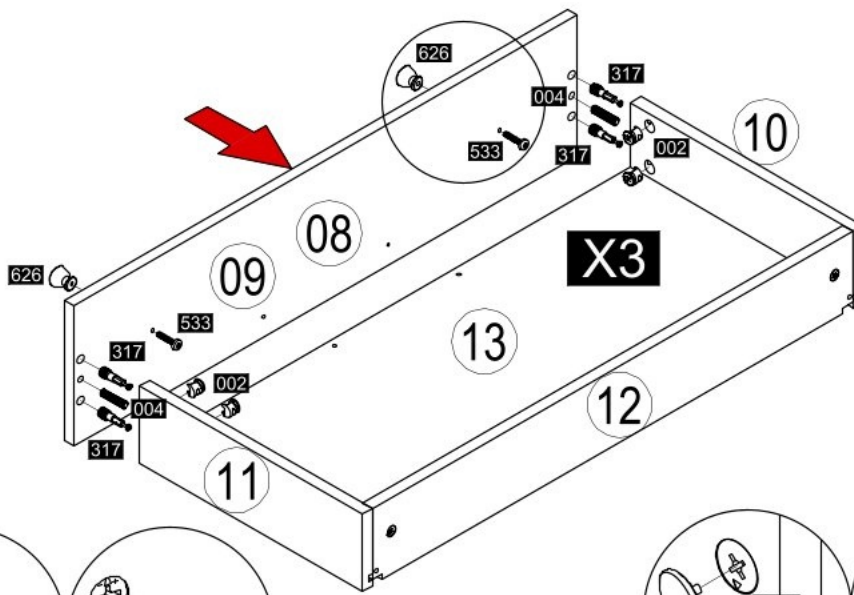




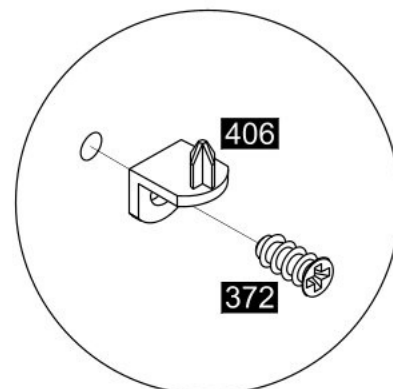
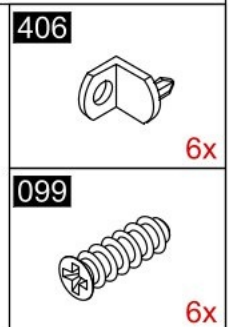
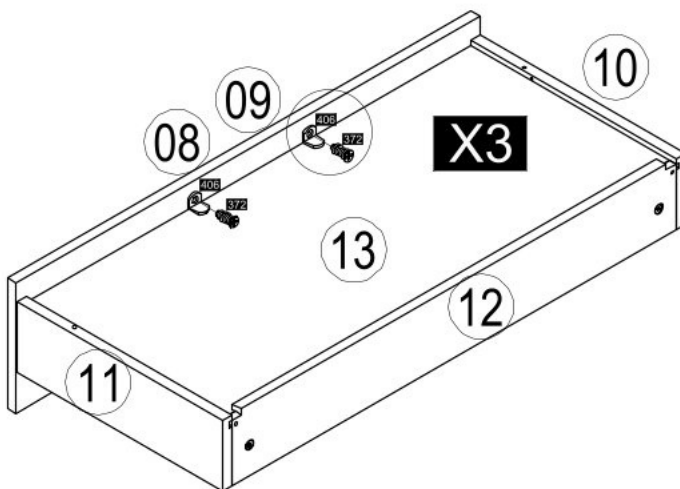
12

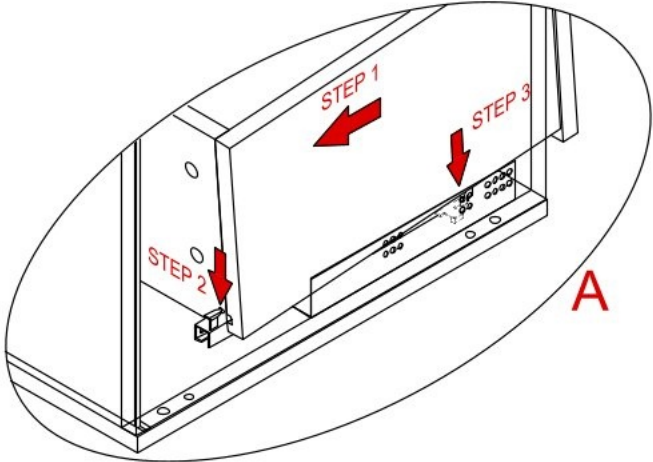
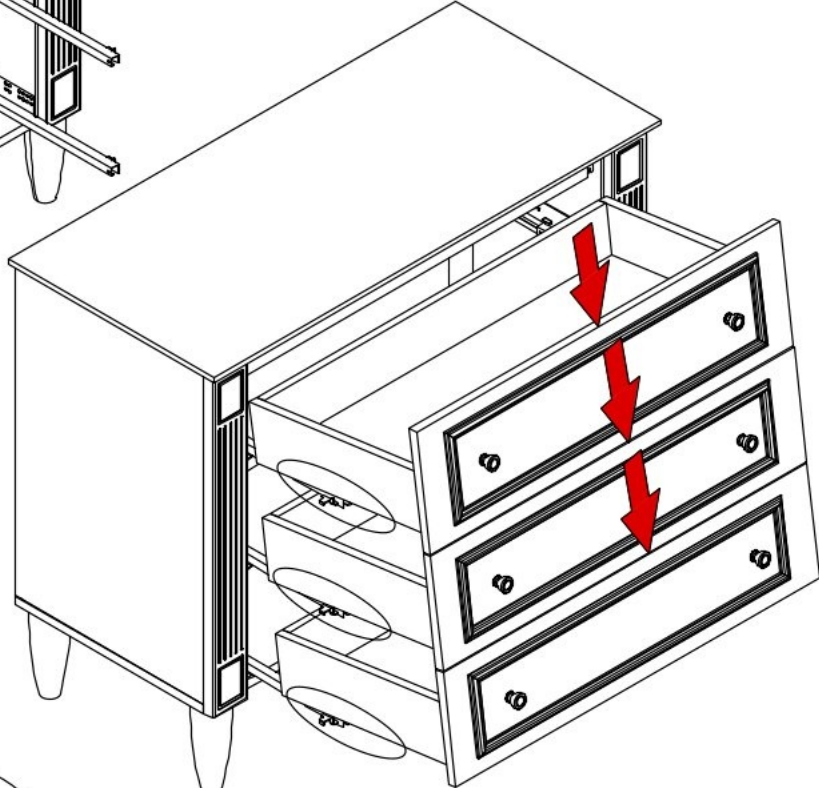
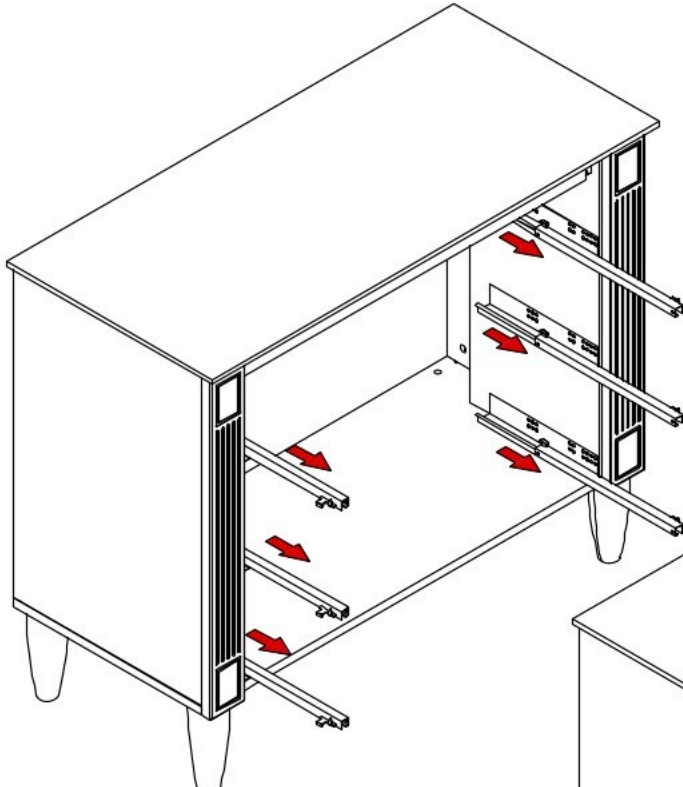


13



14





STEP 2-3

STEP 4

STEP 5

STEP 6

